



US00D488293S

(12) **United States Design Patent**  
Norway, Jr.

(10) **Patent No.:** **US D488,293 S**

(45) **Date of Patent:** **\*\* Apr. 13, 2004**

(54) **BASEBALL CAP WITH INTERCHANGEABLE BILLS**

5,701,607 A \* 12/1997 Kaiser ..... 2/209.13  
D417,334 S \* 12/1999 Wands ..... D2/893  
D478,712 S \* 8/2003 Kirby ..... D2/893

(76) Inventor: **Marvin L. Norway, Jr.**, 554 Oxboro Rd., Hindale, NH (US) 03451

\* cited by examiner

(\*\*) Term: **14 Years**

*Primary Examiner*—Charles A. Rademaker  
*Assistant Examiner*—Mimosa De

(21) Appl. No.: **29/182,349**

(57) **CLAIM**

(22) Filed: **May 27, 2003**

The ornamental design for a baseball cap with interchangeable bills, as shown and described.

(51) **LOC (7) Cl.** ..... **02-03**

(52) **U.S. Cl.** ..... **D2/882**

(58) **Field of Search** ..... D2/865, 866, 872, D2/876, 879, 882, 893; 2/171, 181, 195.1, 10, 209.12, 209.13

**DESCRIPTION**

(56) **References Cited**

**U.S. PATENT DOCUMENTS**

D284,328 S	*	6/1986	Bieber	.....	D2/872
4,793,006 A	*	12/1988	Dawson	.....	2/195.1
4,873,726 A	*	10/1989	Tapia	.....	2/195.1
D321,274 S	*	11/1991	Hur	.....	D2/872
5,070,545 A	*	12/1991	Tapia	.....	2/195.1
5,075,898 A	*	12/1991	Bedient	.....	2/10
5,197,150 A	*	3/1993	Bedient	.....	2/10
5,343,568 A	*	9/1994	May	.....	2/195.1
5,613,246 A	*	3/1997	Alexander	.....	2/10
5,689,830 A	*	11/1997	Pflum	.....	2/195.1

FIG. 1 is a right side exploded view of a first embodiment of a baseball cap with interchangeable bills showing my new design.

FIG. 2 is a back exploded view of the baseball cap with interchangeable bills.

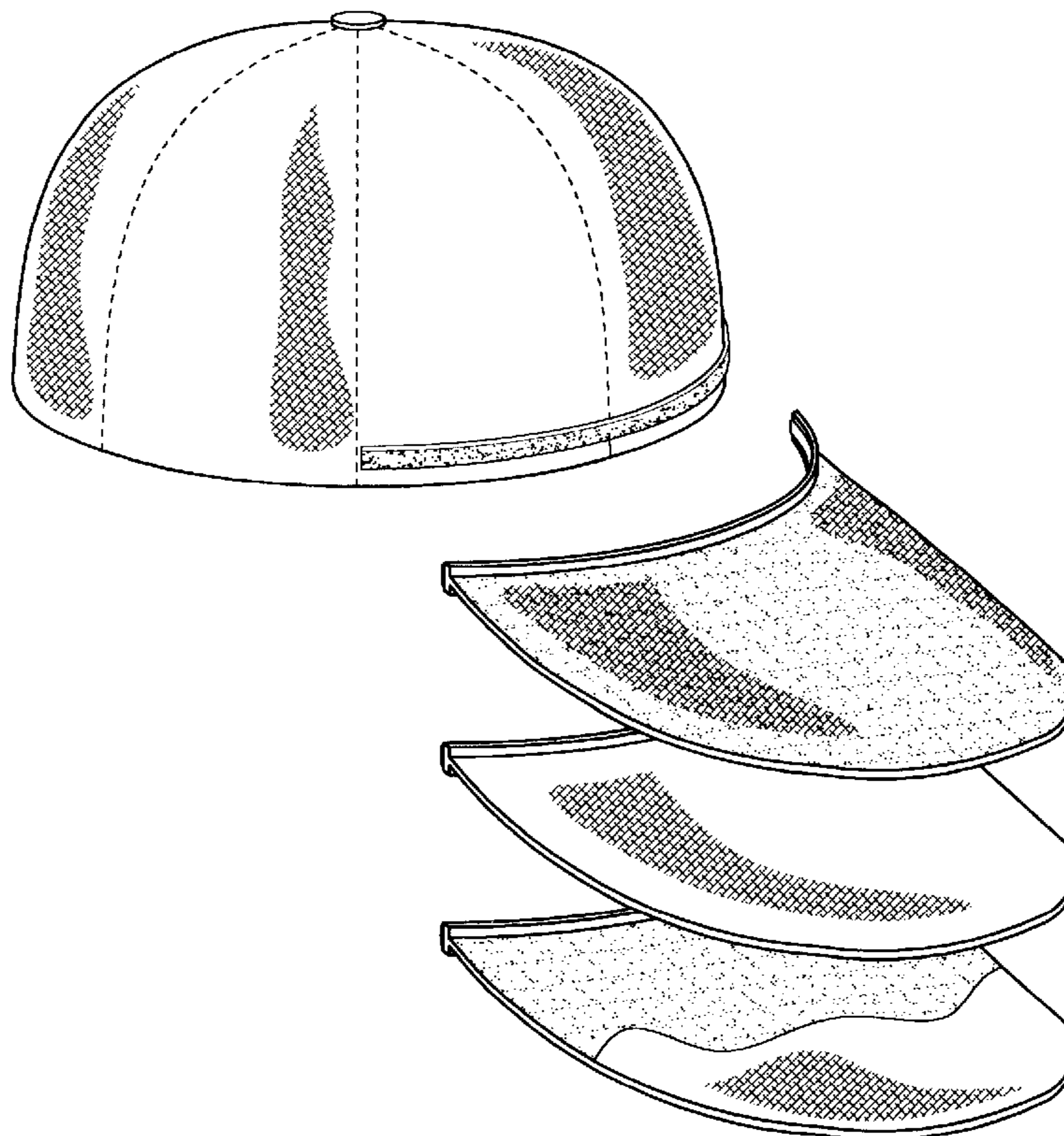
FIG. 3 is a front exploded view of the baseball cap with interchangeable bills.

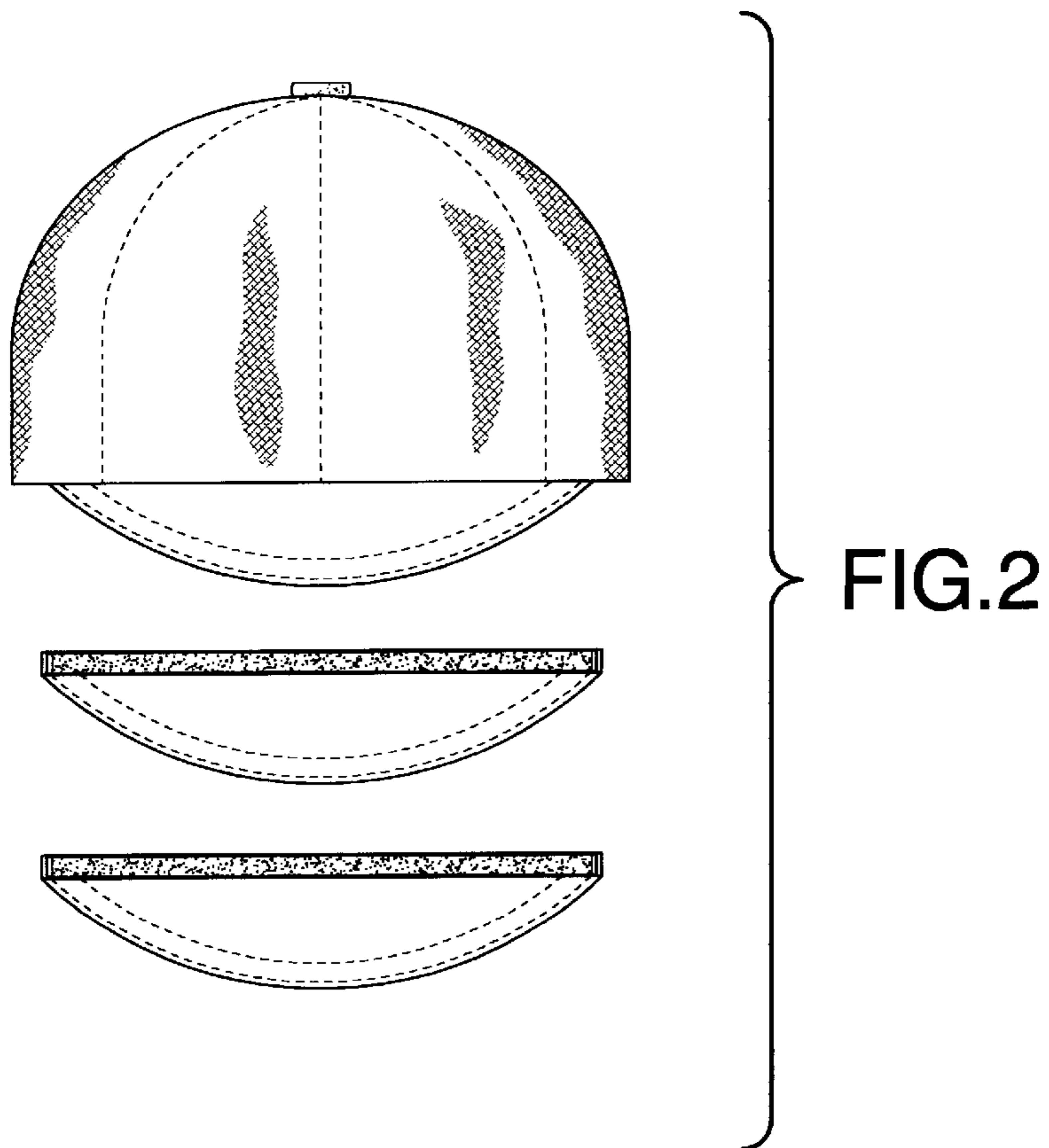
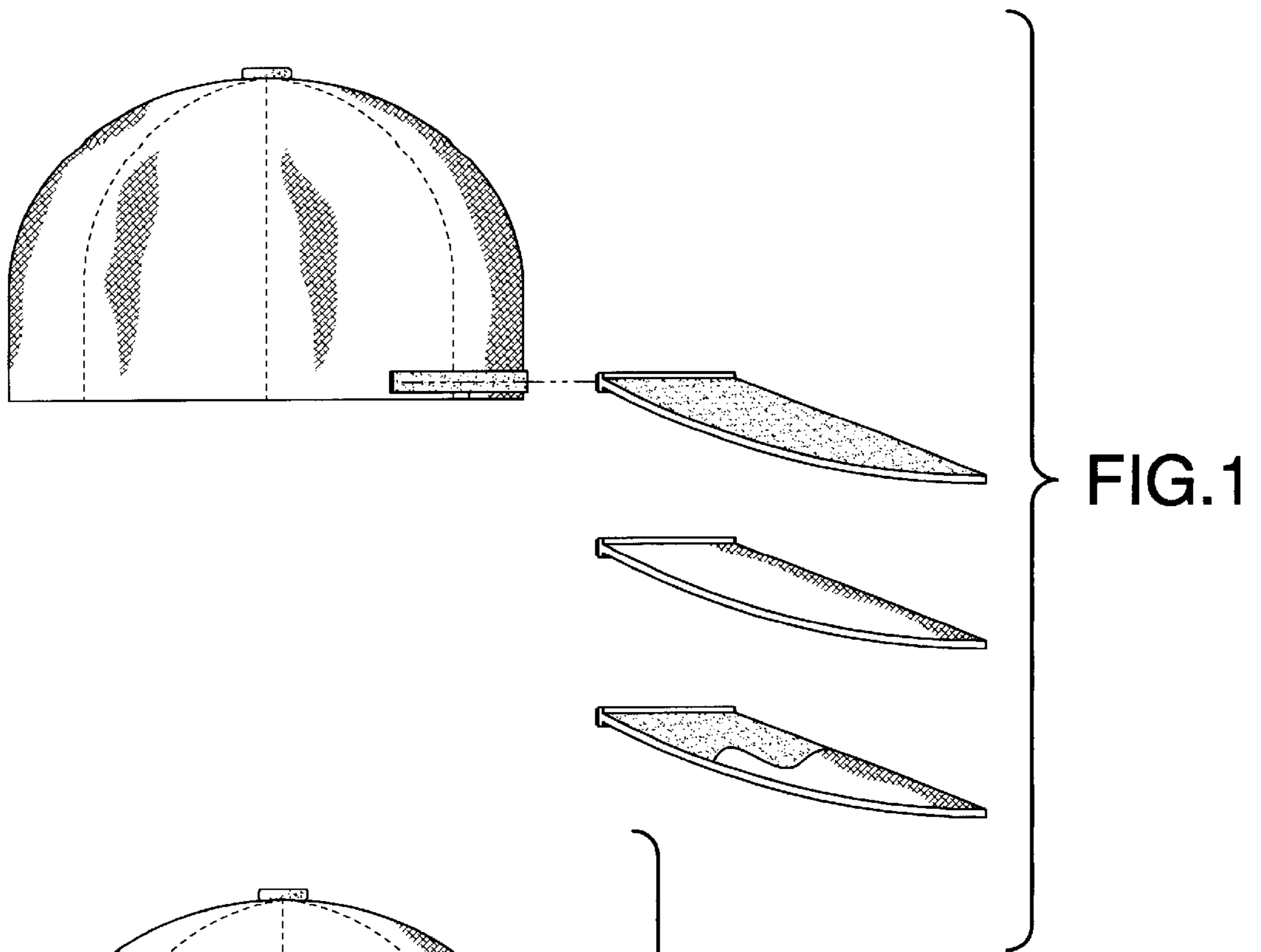
FIG. 4 is a top exploded view of the baseball cap with interchangeable bills.

FIG. 5 is a top exploded view of the second embodiment of the baseball cap with interchangeable bills; and,

FIG. 6 is a perspective exploded view of the baseball cap with interchangeable bills.

**1 Claim, 3 Drawing Sheets**





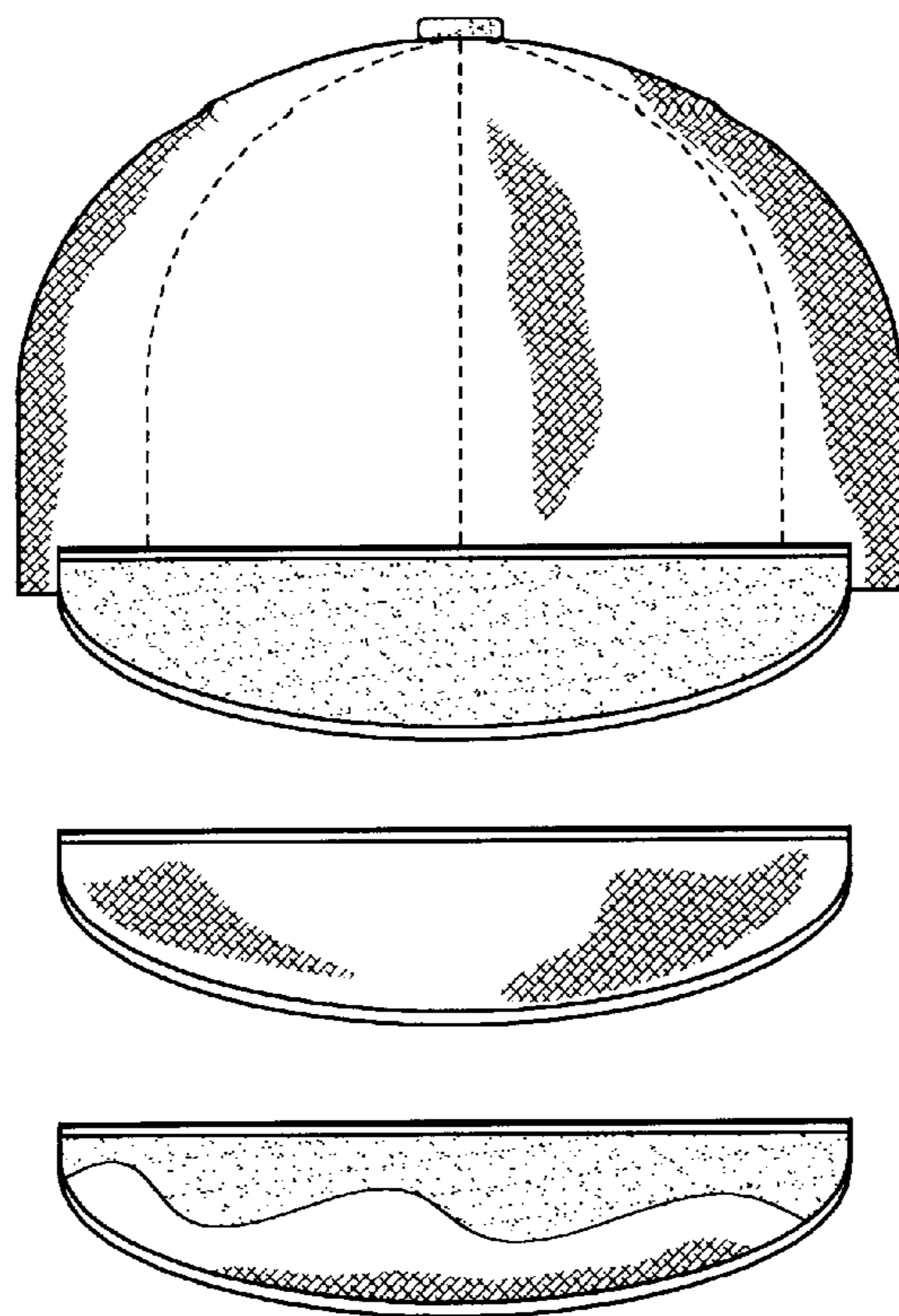


FIG.3

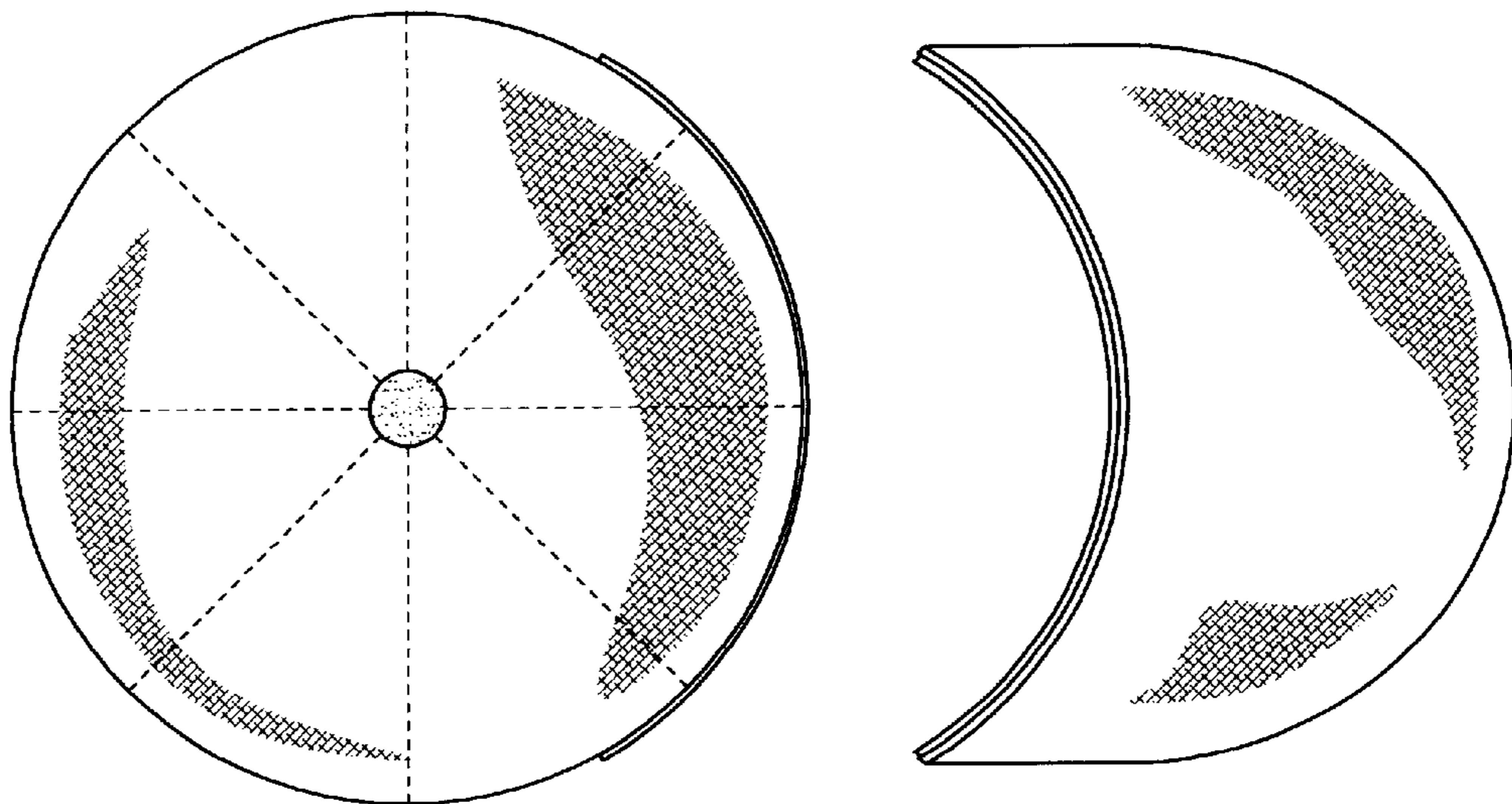


FIG.4

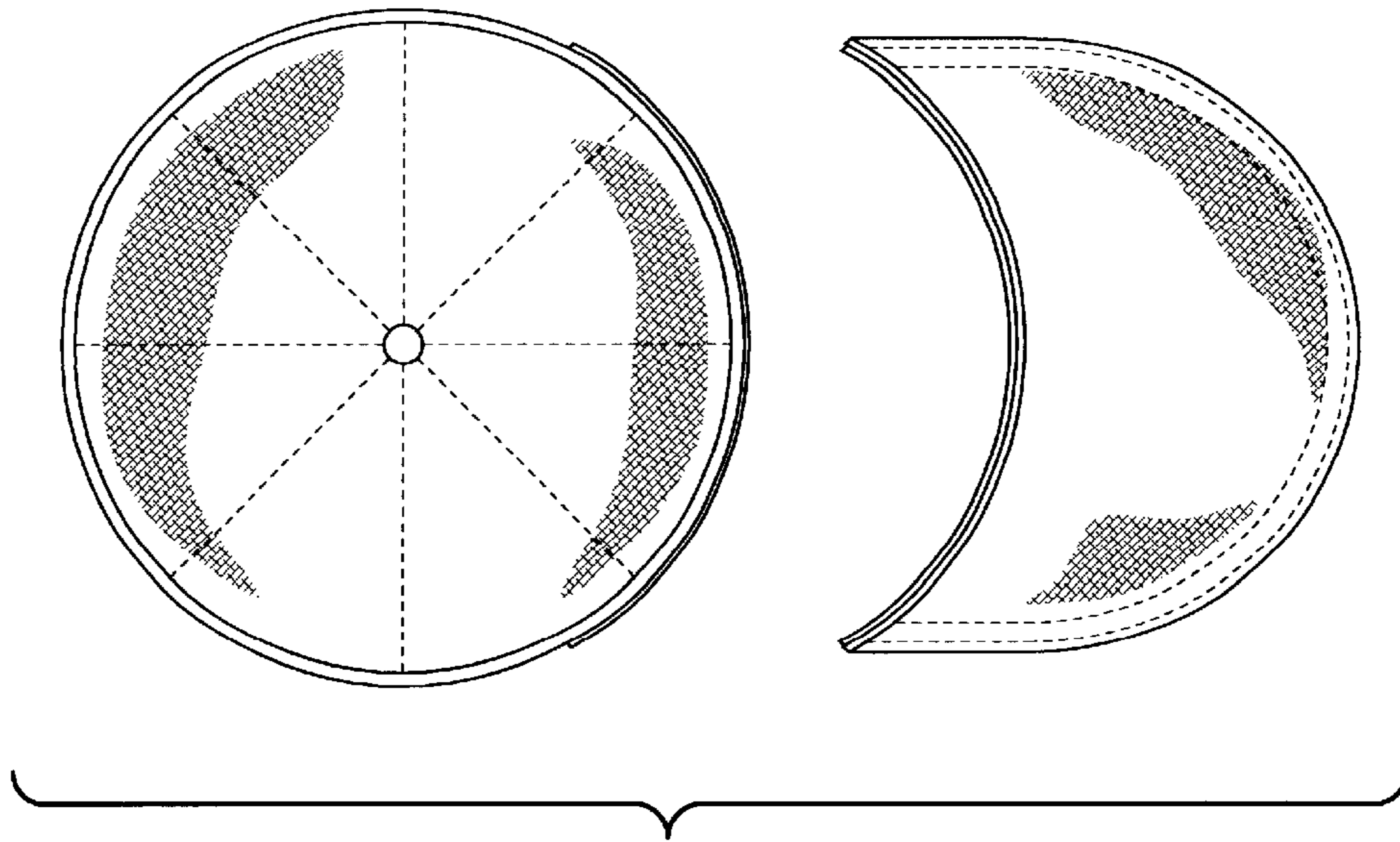


FIG.5

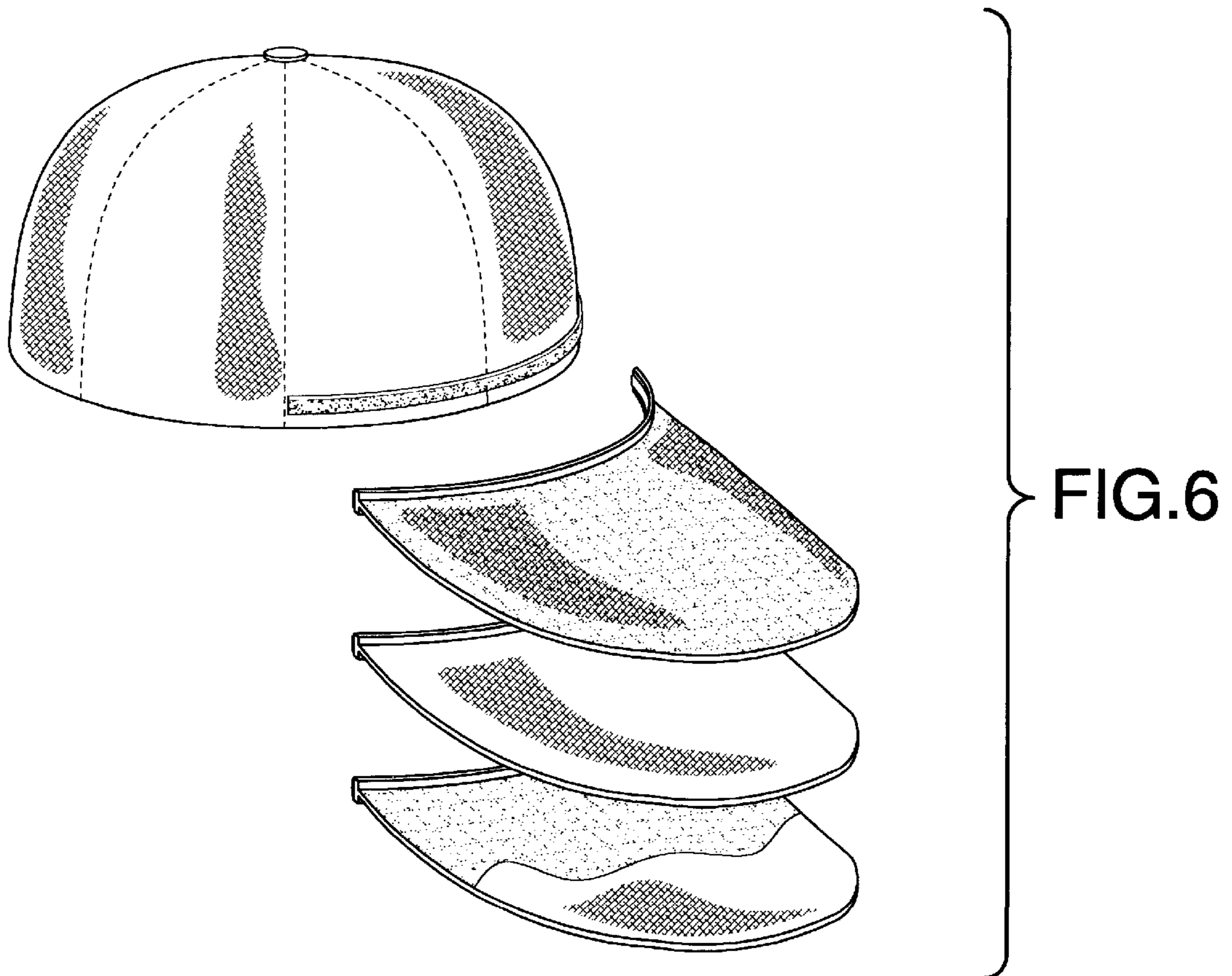


FIG.6