



US00D488279S

(12) **United States Design Patent**
Wu

(10) **Patent No.:** **US D488,279 S**

(45) **Date of Patent:** **** Apr. 6, 2004**

(54) **GOLF CART**

(75) **Inventor:** **Fang-Li Wu, Tainan (TW)**

(73) **Assignee:** **Sports World Enterprise Co., Ltd.,
Tainan Hsien (TW)**

(**) **Term:** **14 Years**

(21) **Appl. No.:** **29/155,090**

(22) **Filed:** **Feb. 5, 2002**

(51) **LOC (7) Cl.** **12-02**

(52) **U.S. Cl.** **D34/15**

(58) **Field of Search** D34/12-27; 280/DIG. 62,
280/DIG. 5, 641, 646, 655; 180/19.1, 19.3,
215, 216, 907

(56) **References Cited**

U.S. PATENT DOCUMENTS

- D436,707 S * 1/2001 Liao D34/15
- D438,357 S * 2/2001 Wu D34/15
- D450,167 S * 11/2001 Liao D34/15

- D450,902 S * 11/2001 Liao D34/15
- D454,417 S * 3/2002 Wu D34/15
- D468,511 S * 1/2003 Liu D34/15

* cited by examiner

Primary Examiner—Kay H. Chin

(74) *Attorney, Agent, or Firm*—Rosenberg, Klein & Lee

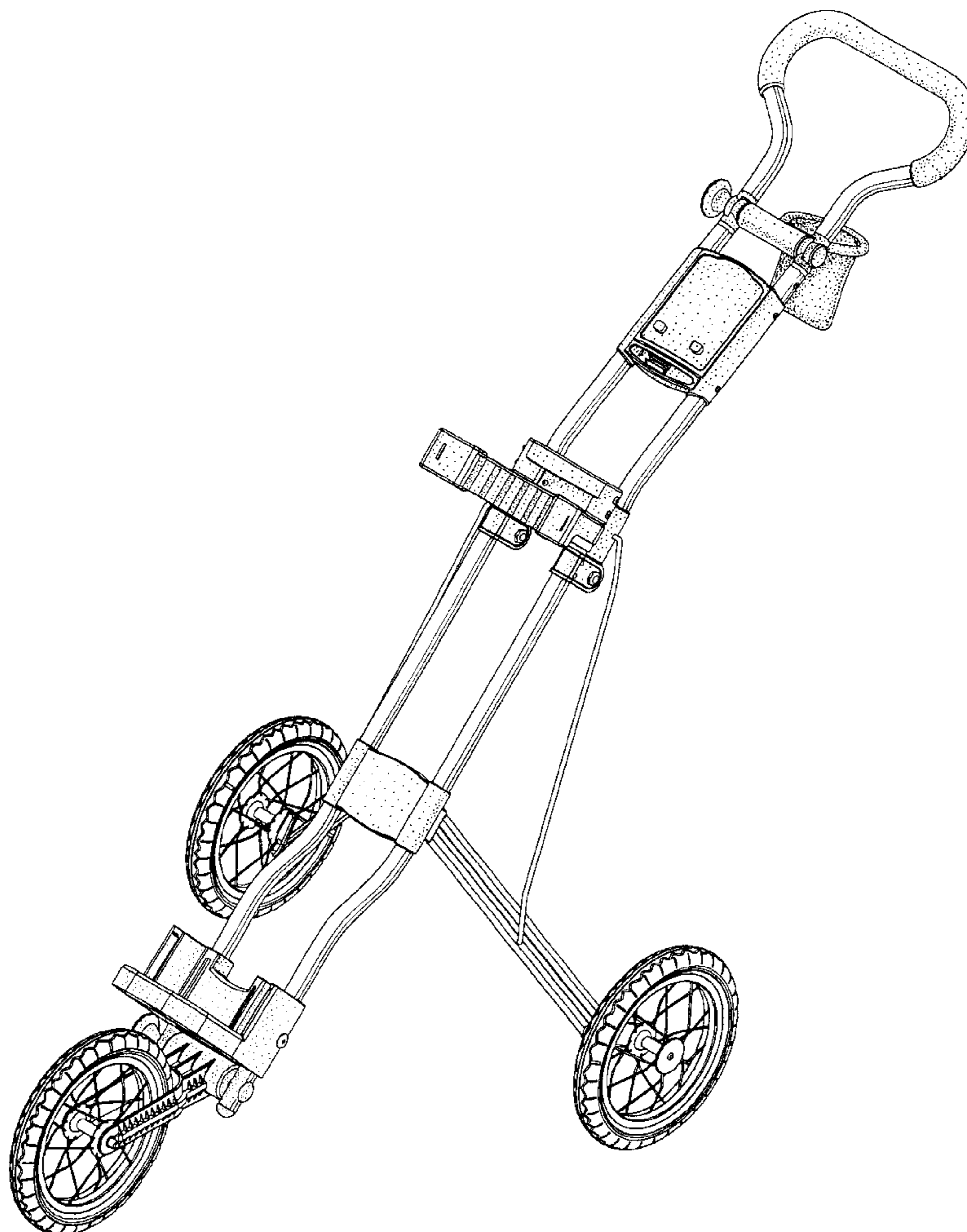
(57) **CLAIM**

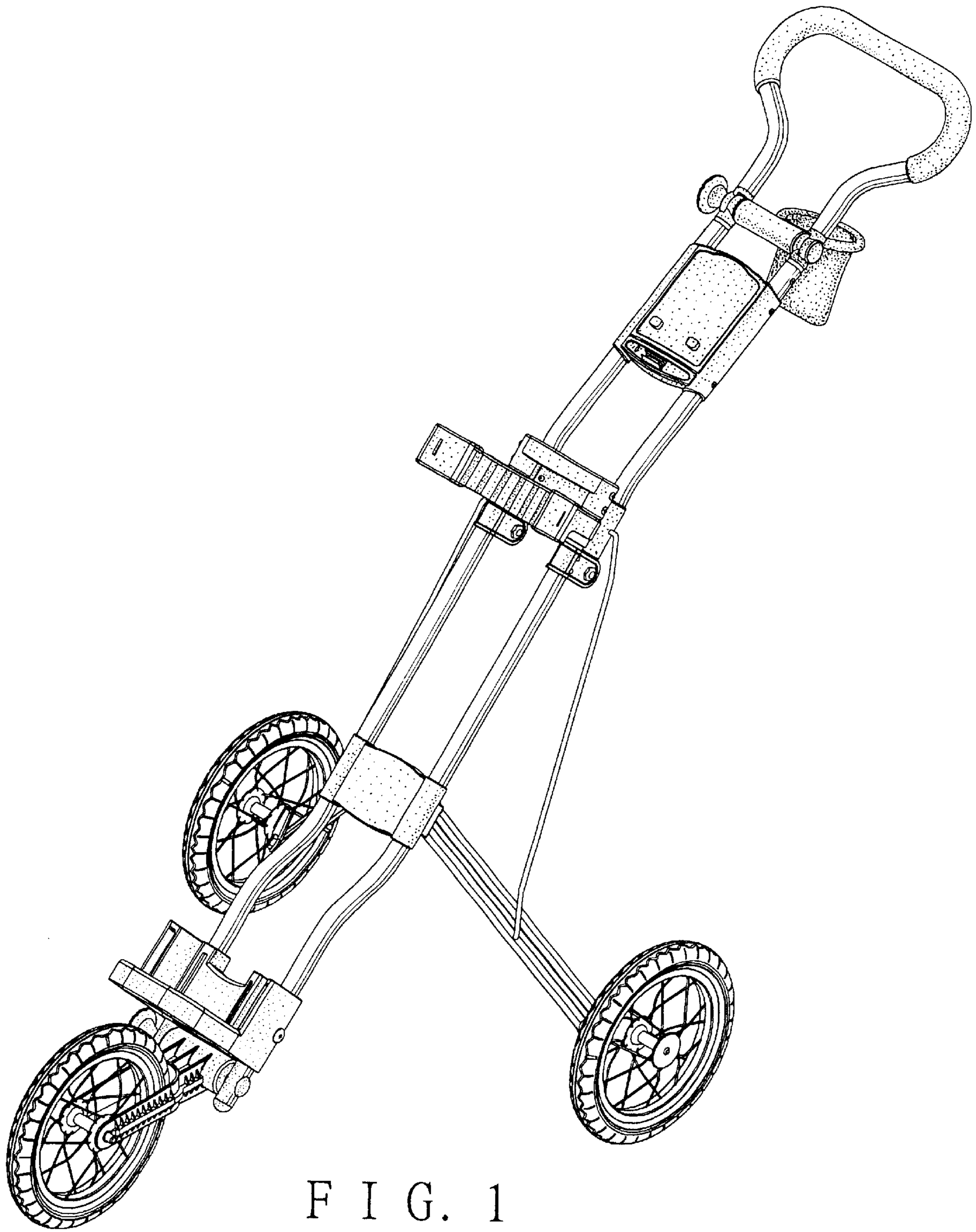
The ornamental design for a golf cart, as shown and described.

DESCRIPTION

FIG. 1 is a perspective view of a golf cart showing my new design;
 FIG. 2 is a front elevational view thereof;
 FIG. 3 is a rear elevational view thereof;
 FIG. 4 is a left side elevational view thereof;
 FIG. 5 is a right side elevational view thereof;
 FIG. 6 is a top plan view thereof;
 FIG. 7 is a bottom plan view thereof; and,
 FIG. 8 is a rear perspective view in the folded condition.

1 Claim, 8 Drawing Sheets





F I G . 1

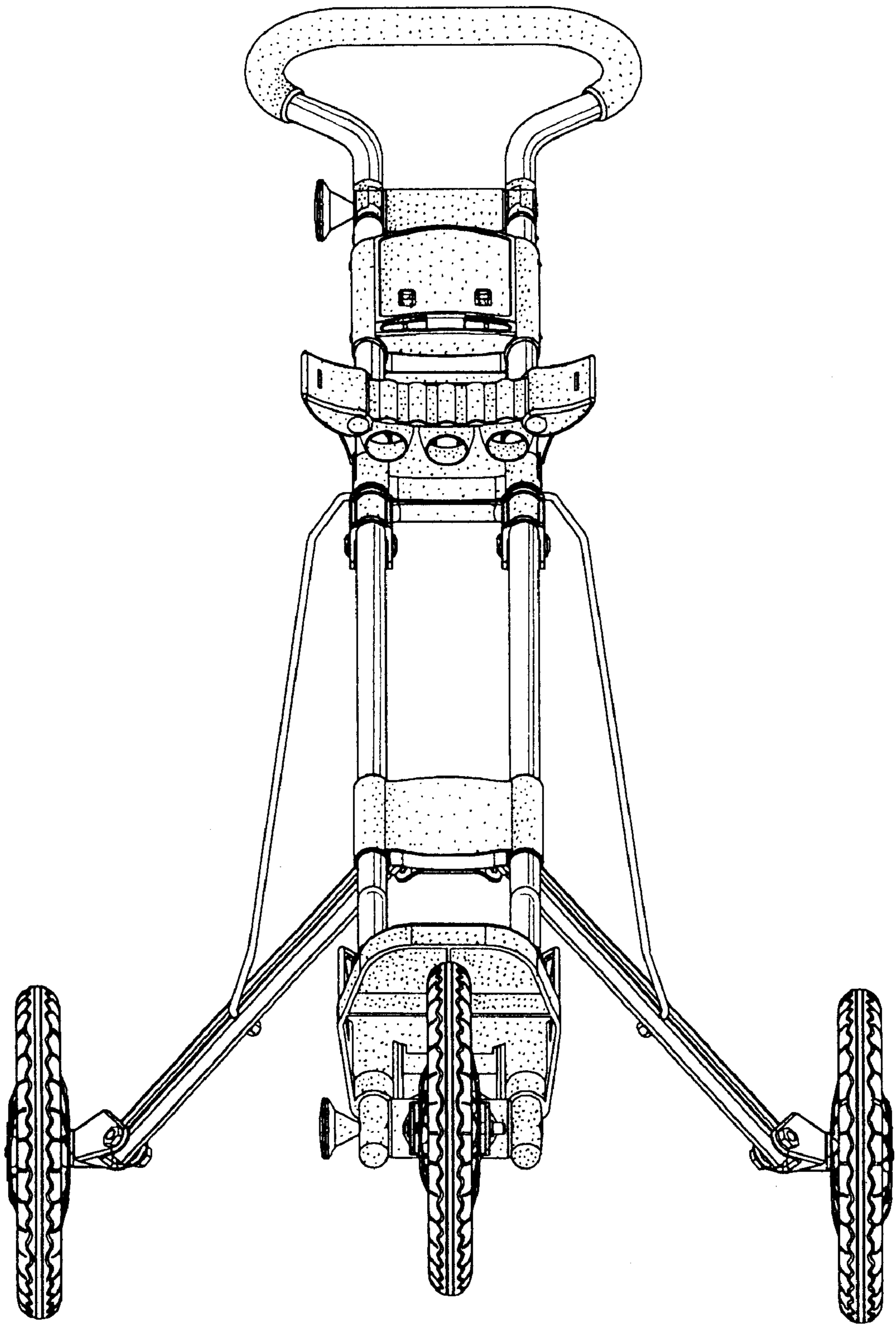


FIG. 2

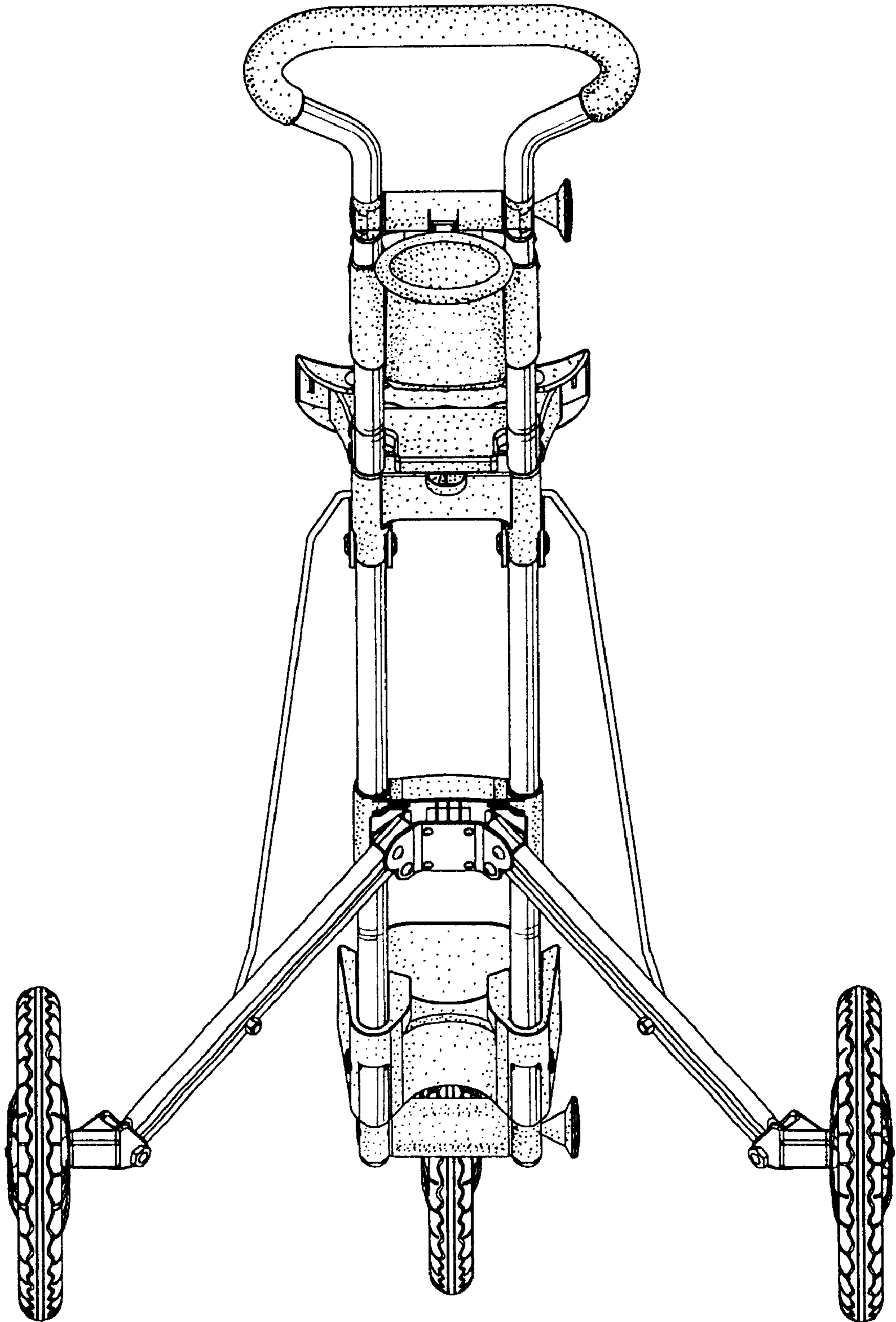


FIG. 3

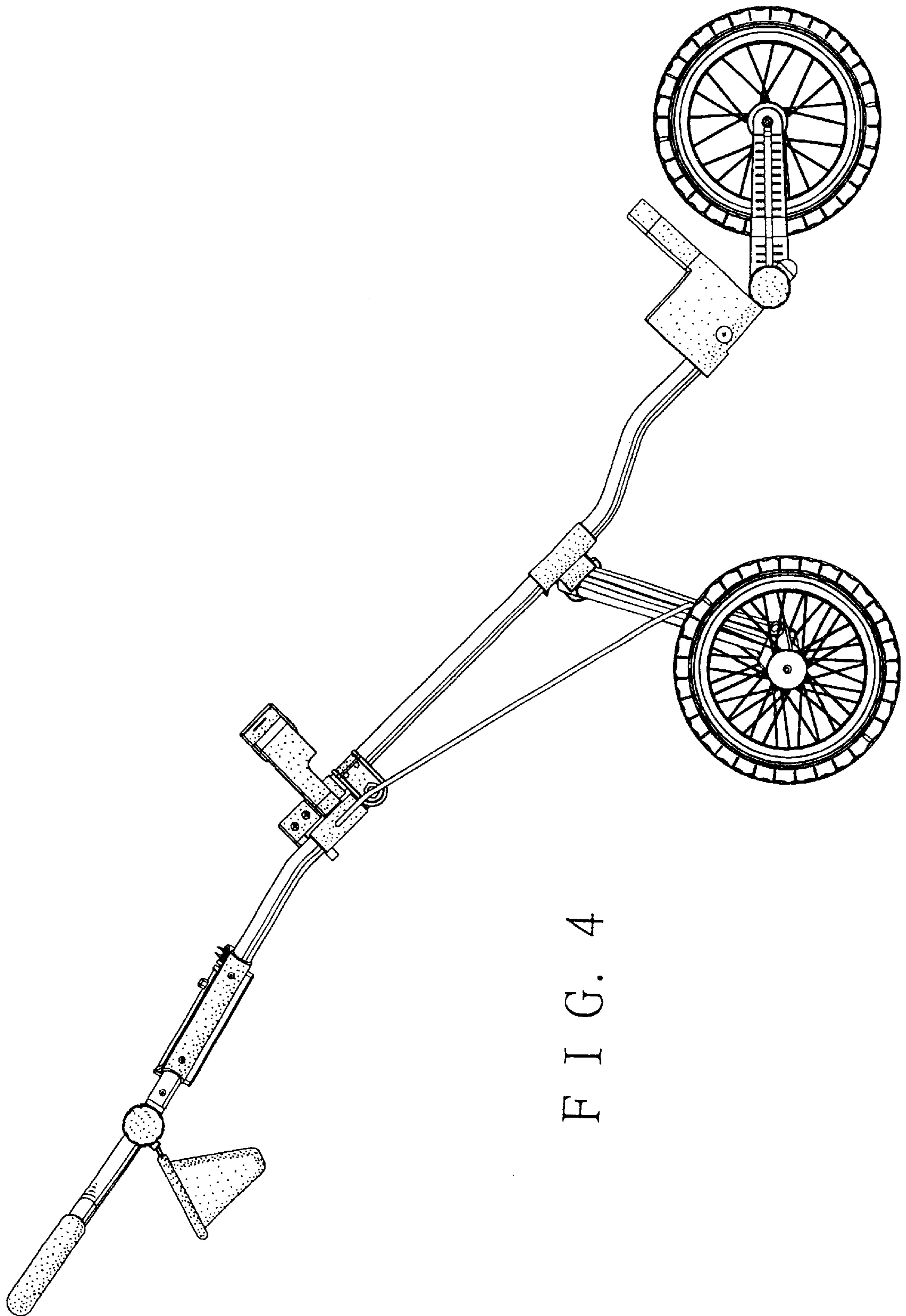


FIG. 4

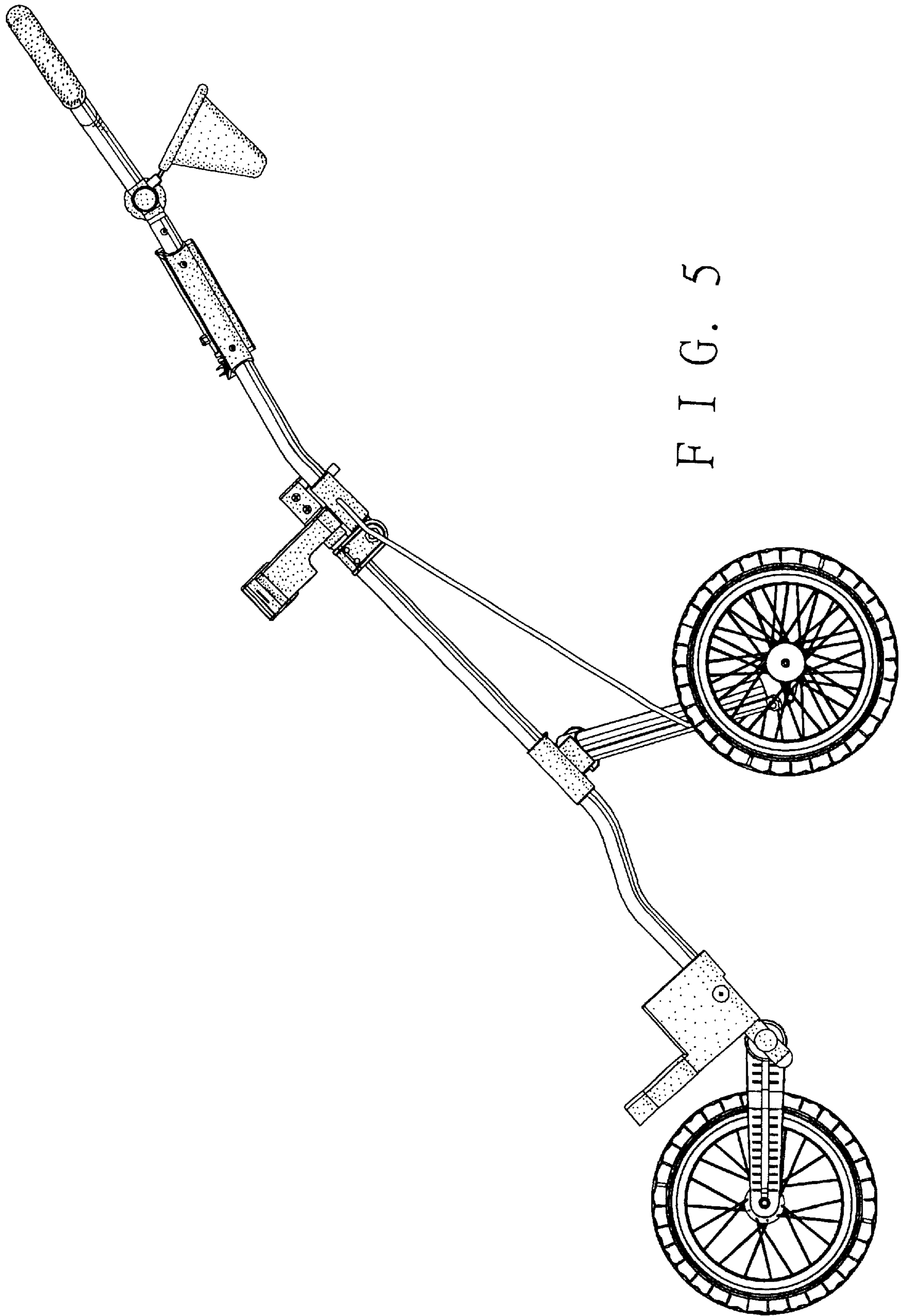
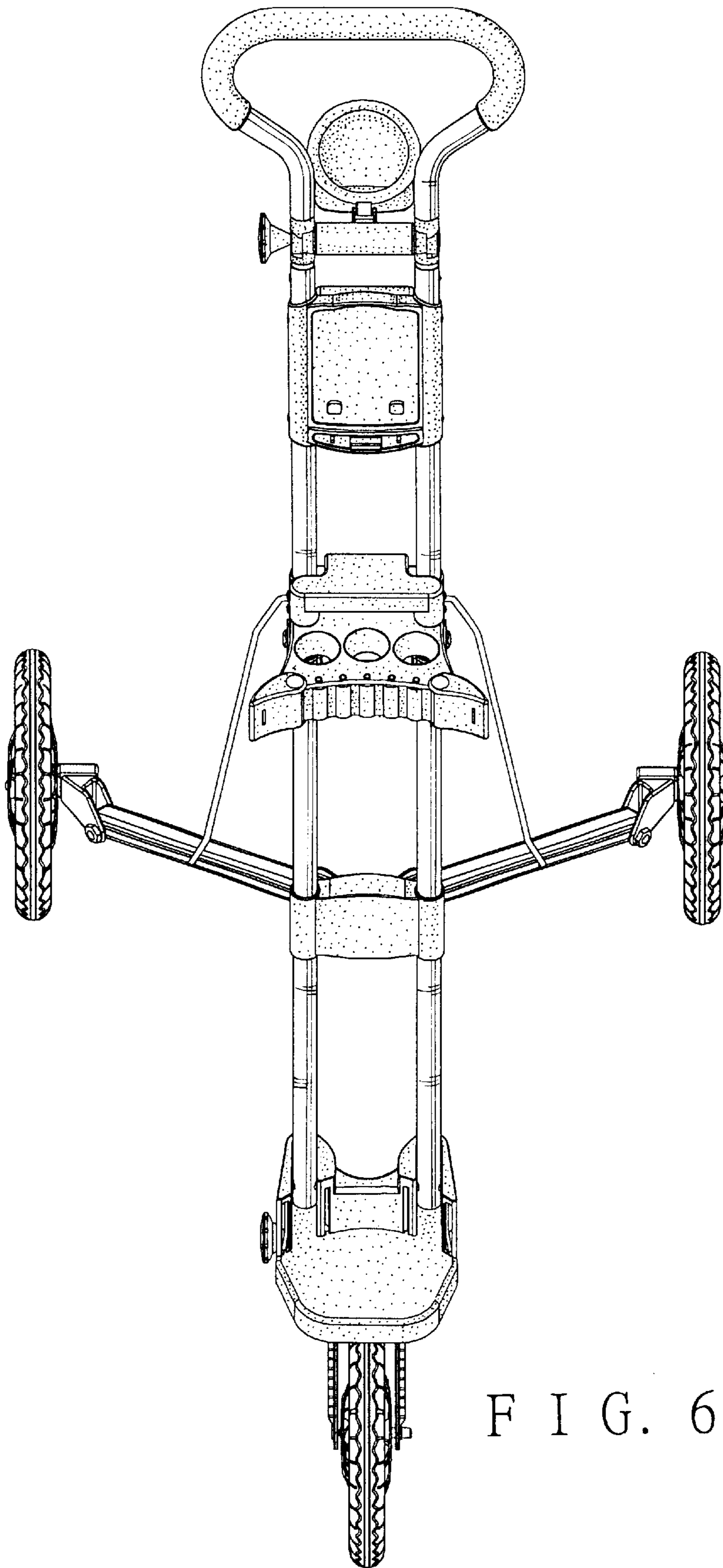


FIG. 5



F I G . 6

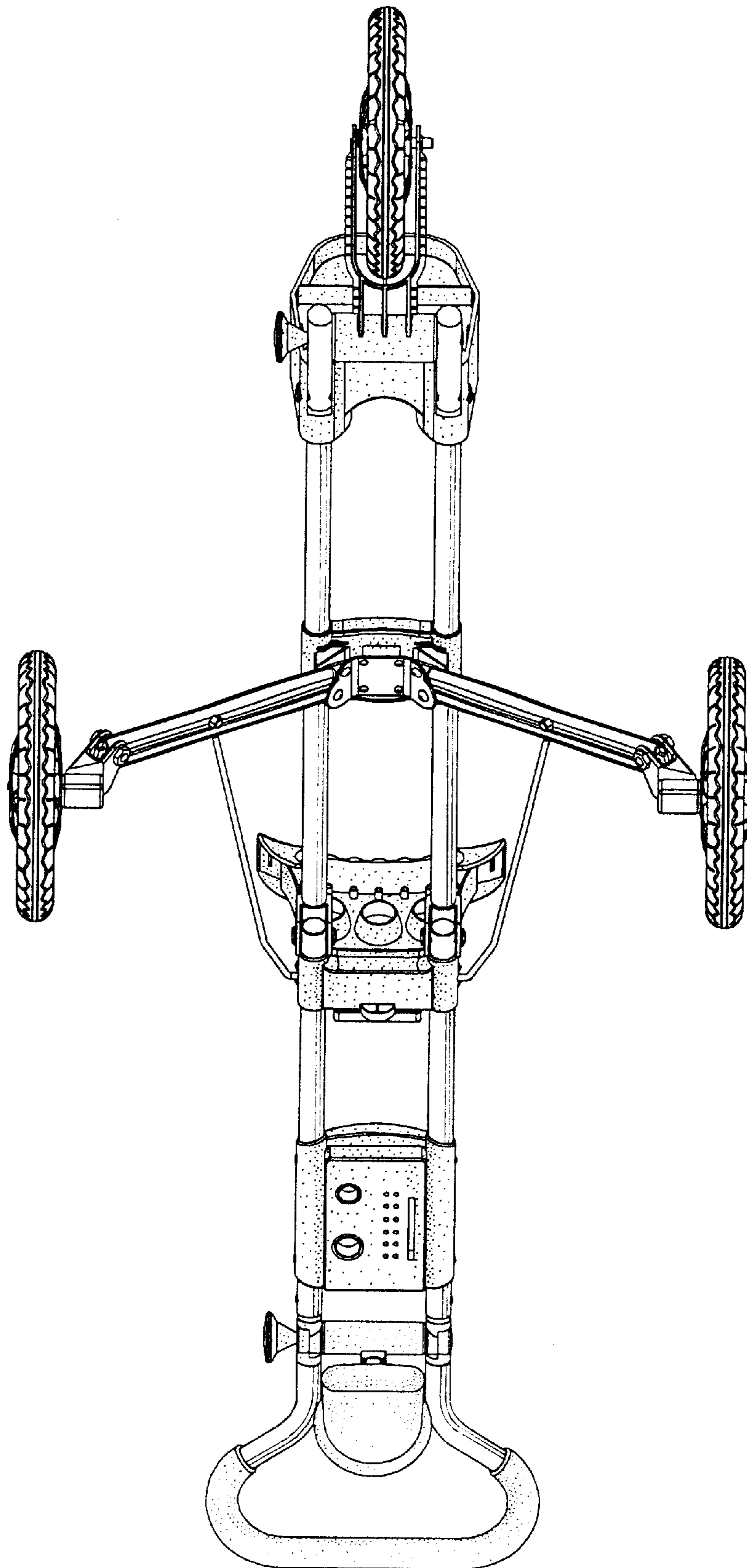


FIG. 7

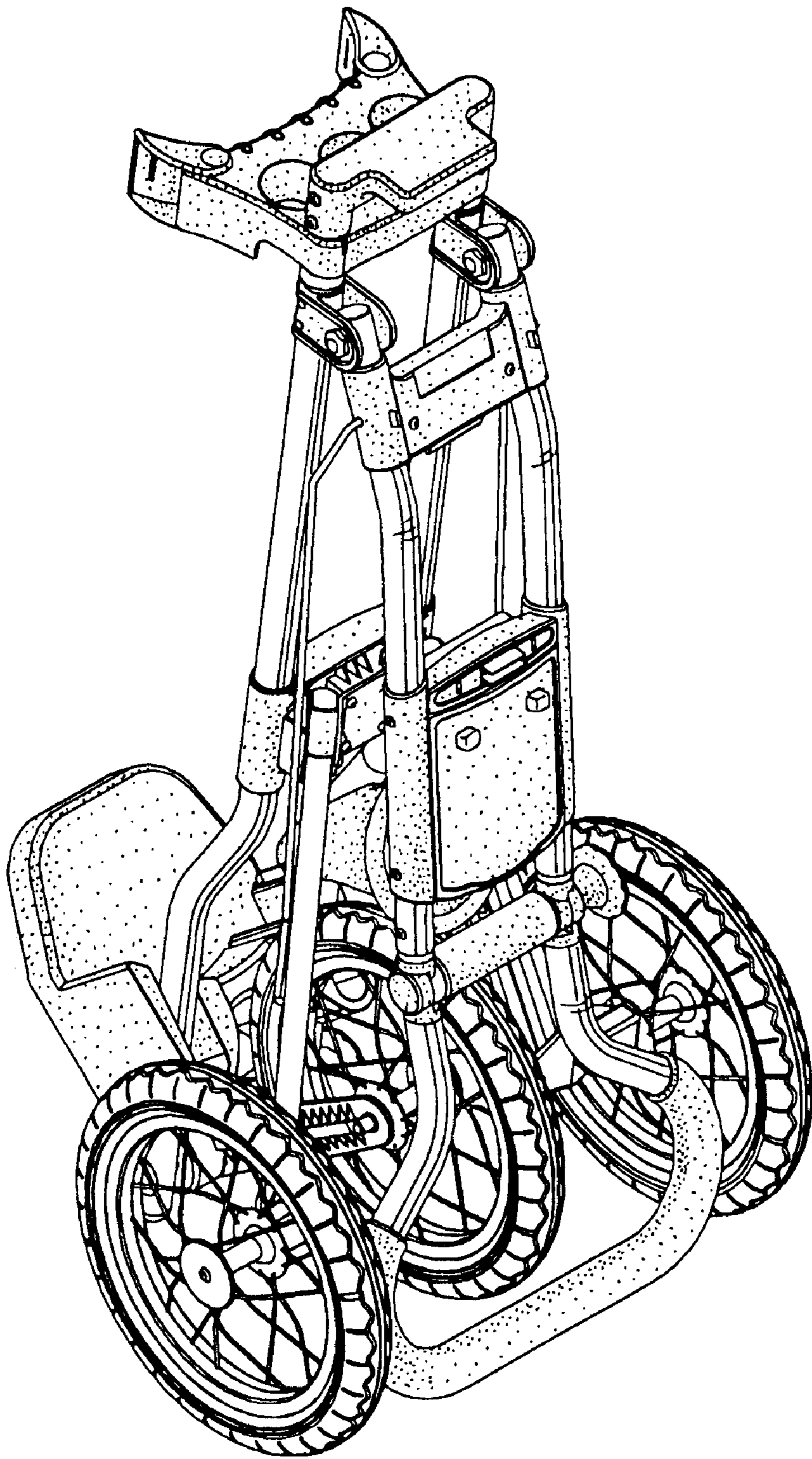


FIG. 8