



US00D488275S

(12) **United States Design Patent**
Gudefin

(10) **Patent No.:** **US D488,275 S**

(45) **Date of Patent:** **** Apr. 6, 2004**

(54) **STEAM IRON**

(75) **Inventor:** **Jacq̄es Gudefin**, Lyons (FR)

(73) **Assignee:** **Rowenta-Werke GmbH** (DE)

(**) **Term:** **14 Years**

(21) **Appl. No.:** **29/170,544**

(22) **Filed:** **Nov. 7, 2002**

(30) **Foreign Application Priority Data**

May 8, 2002 (DE) 4 02 03 937

(51) **LOC (7) Cl.** **07-05**

(52) **U.S. Cl.** **D32/70**

(58) **Field of Search** D32/68-72; 38/74-75,
38/77.1, 77.2, 77.5, 77.6, 77.7, 77.8, 77.9,
88, 90, 93, 95; 219/245, 248, 254, 257

(56) **References Cited**

U.S. PATENT DOCUMENTS

D143,502 S * 1/1946 Opperman D32/70
D157,725 S * 3/1950 Barnes D32/70
D166,199 S * 3/1952 Karstadt D32/70
2,928,194 A * 3/1960 Maykemper D32/70 X
D468,070 S * 12/2002 Fujita et al. D32/70

FOREIGN PATENT DOCUMENTS

FR 2809120 * 11/2001 D06F/75/12
JP 8-243299 * 9/1996 D06F/75/06
JP 11-90096 * 4/1999 D06F/75/22

* cited by examiner

Primary Examiner—Alan P. Douglas

Assistant Examiner—Lavone D. Tabor

(74) *Attorney, Agent, or Firm*—Ostrolenk, Faber, Gerb & Soffen, LLP

(57) **CLAIM**

The ornamental design for a steam iron, as shown and described.

DESCRIPTION

FIG. 1 is a front right side perspective view of the steam iron of the present invention;

FIG. 2 is a right side view thereof;

FIG. 3 is a left side view thereof;

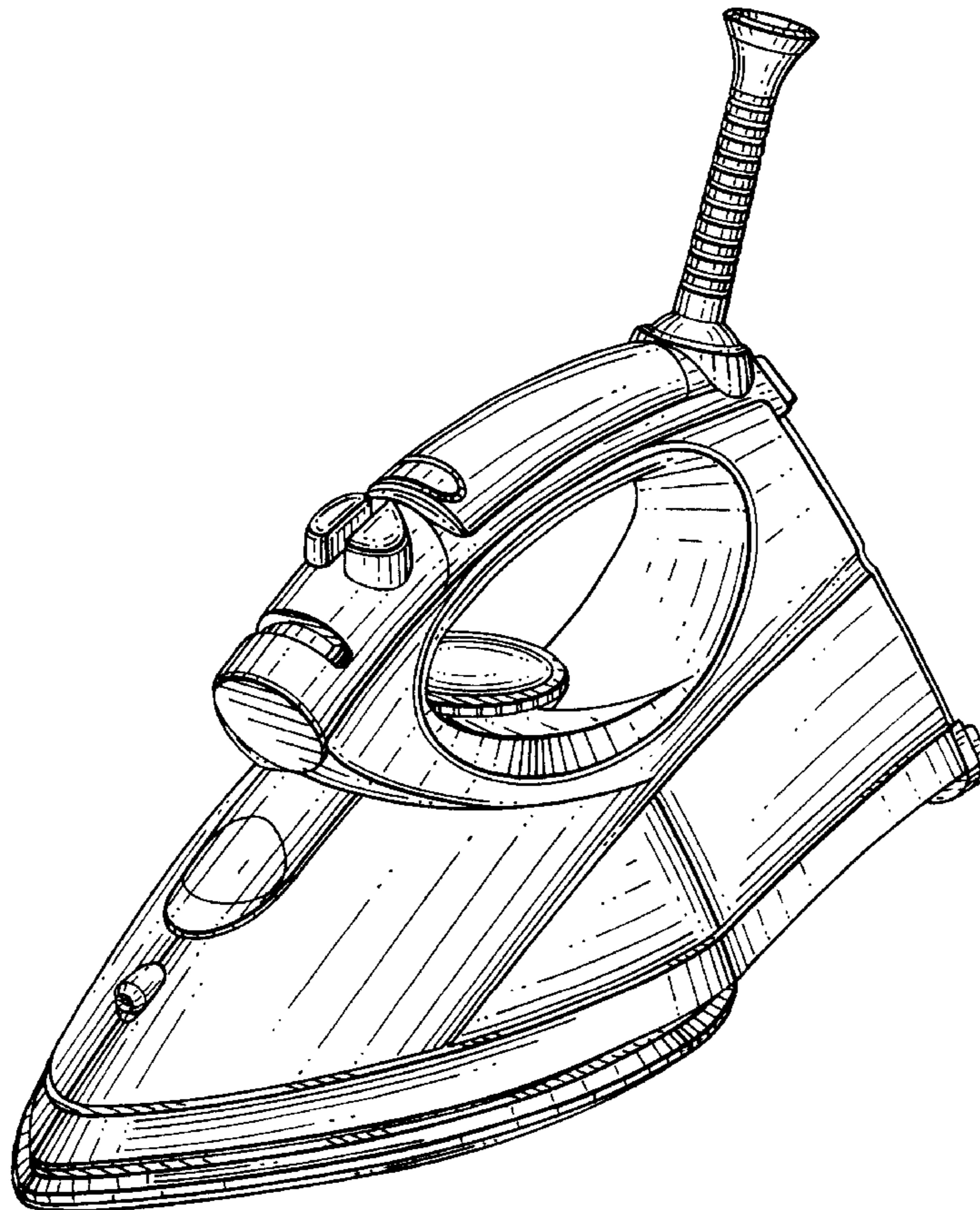
FIG. 4 is a front view thereof;

FIG. 5 is a rear view thereof;

FIG. 6 is a top view thereof; and,

FIG. 7 is a bottom view thereof.

1 Claim, 7 Drawing Sheets



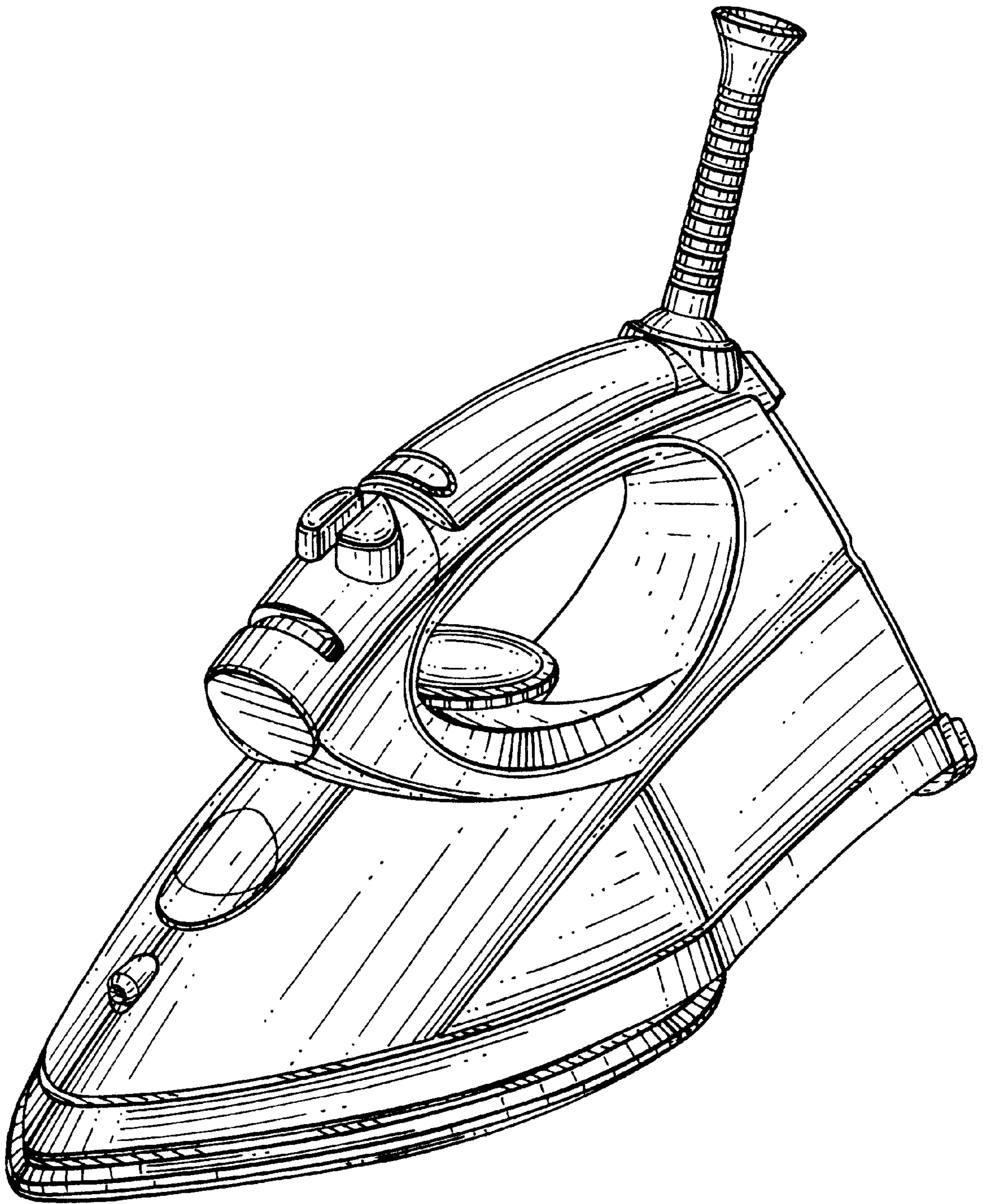


FIG. 1

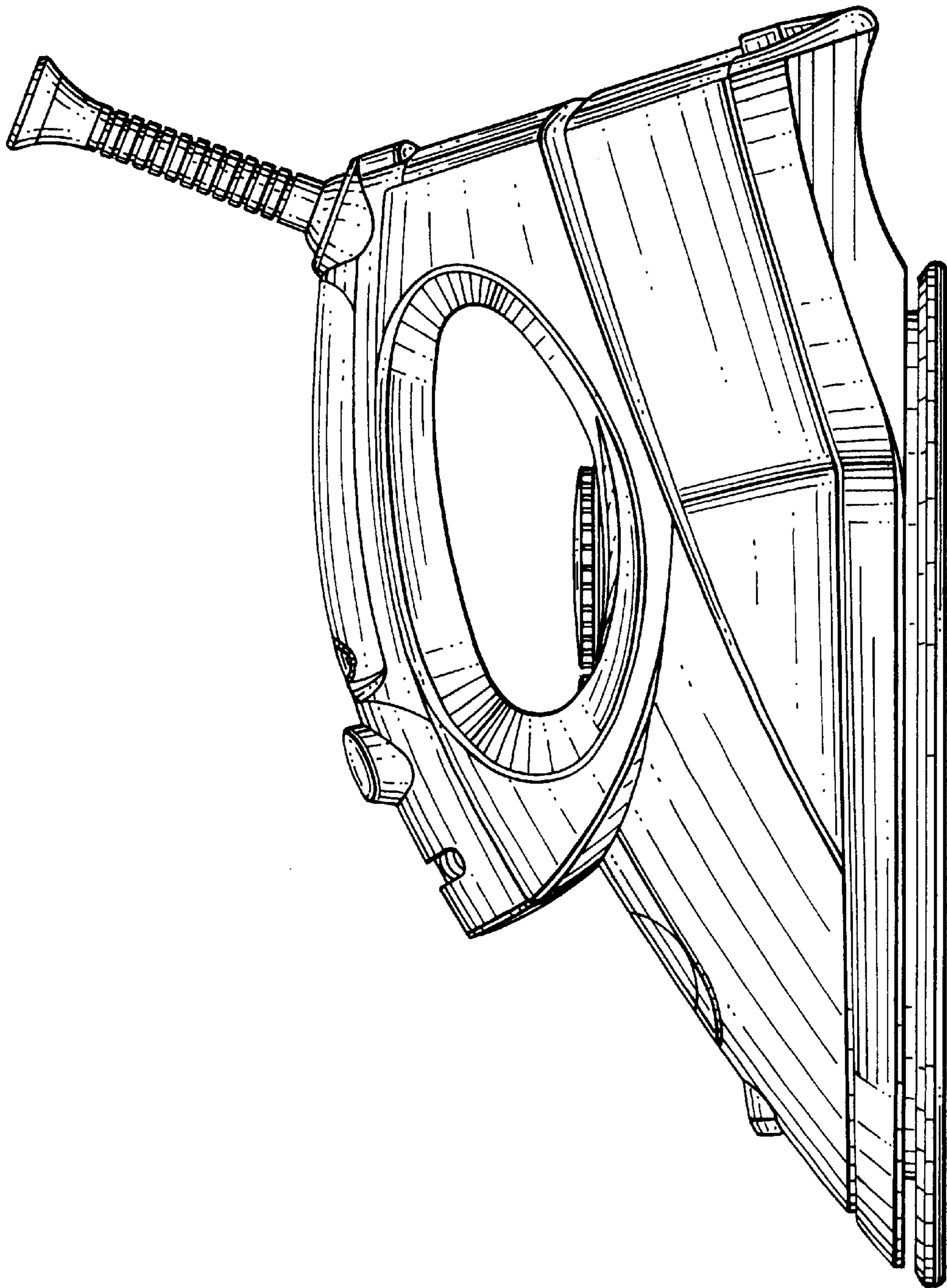


FIG. 2

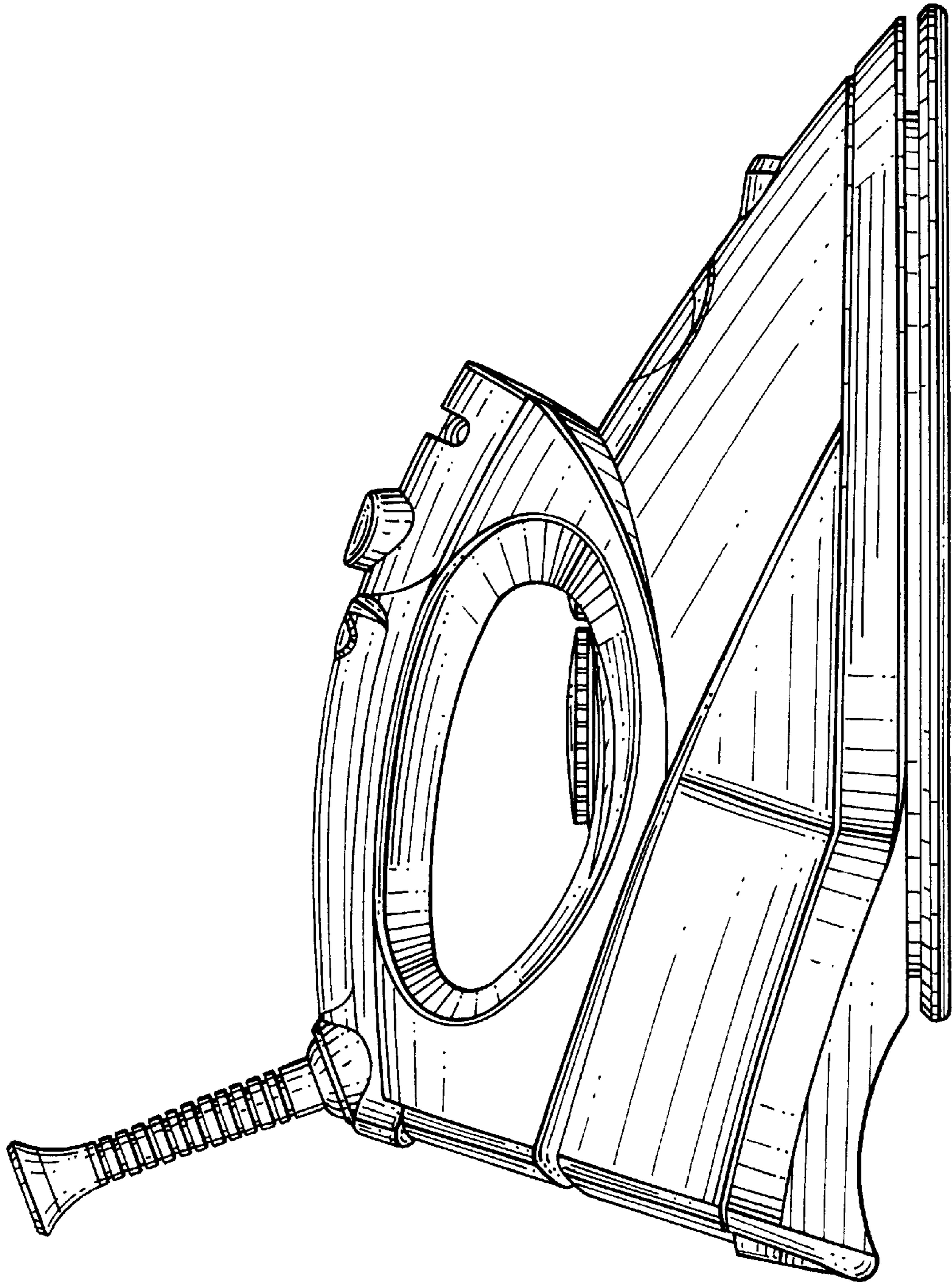


FIG. 3

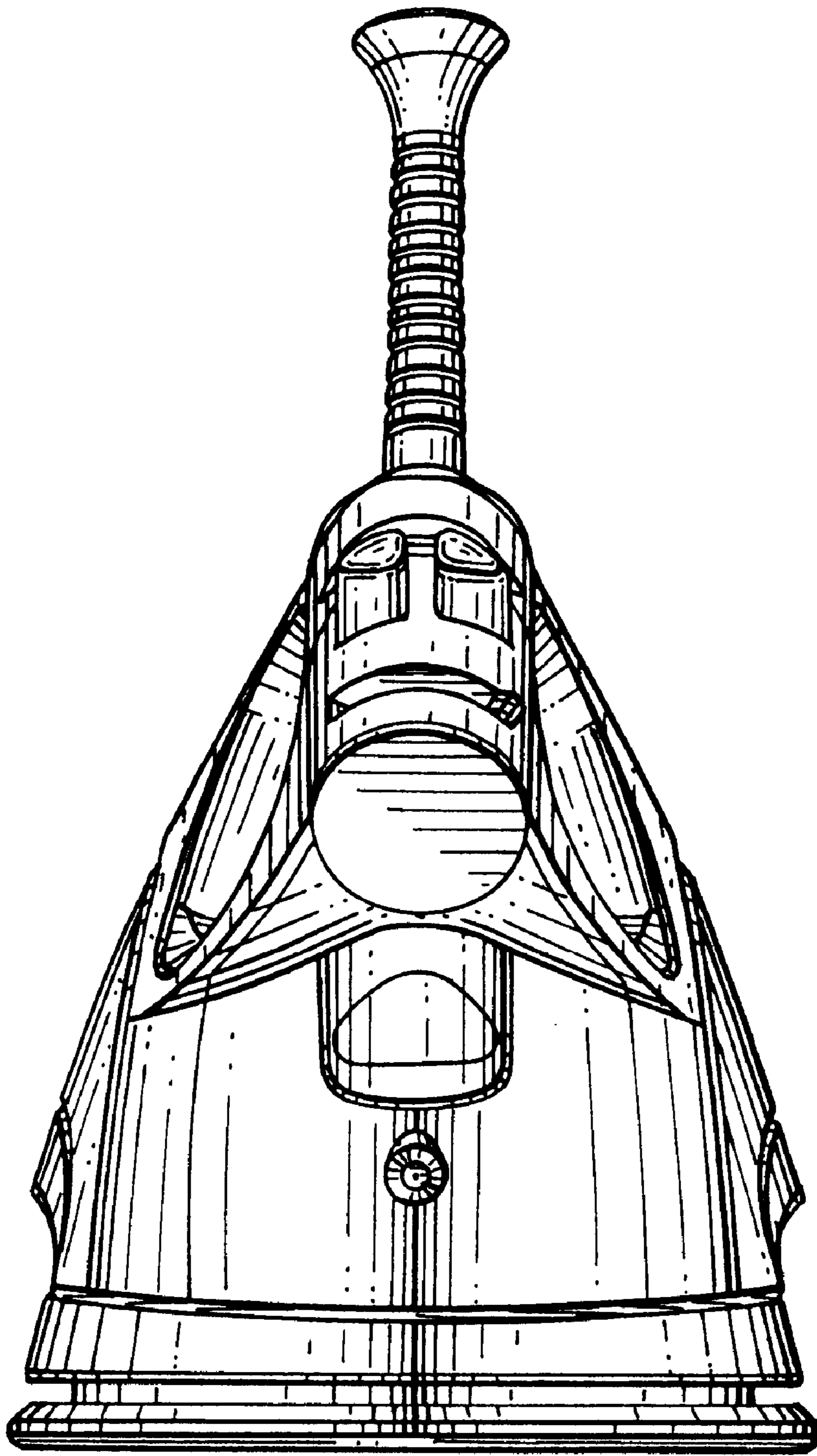


FIG. 4

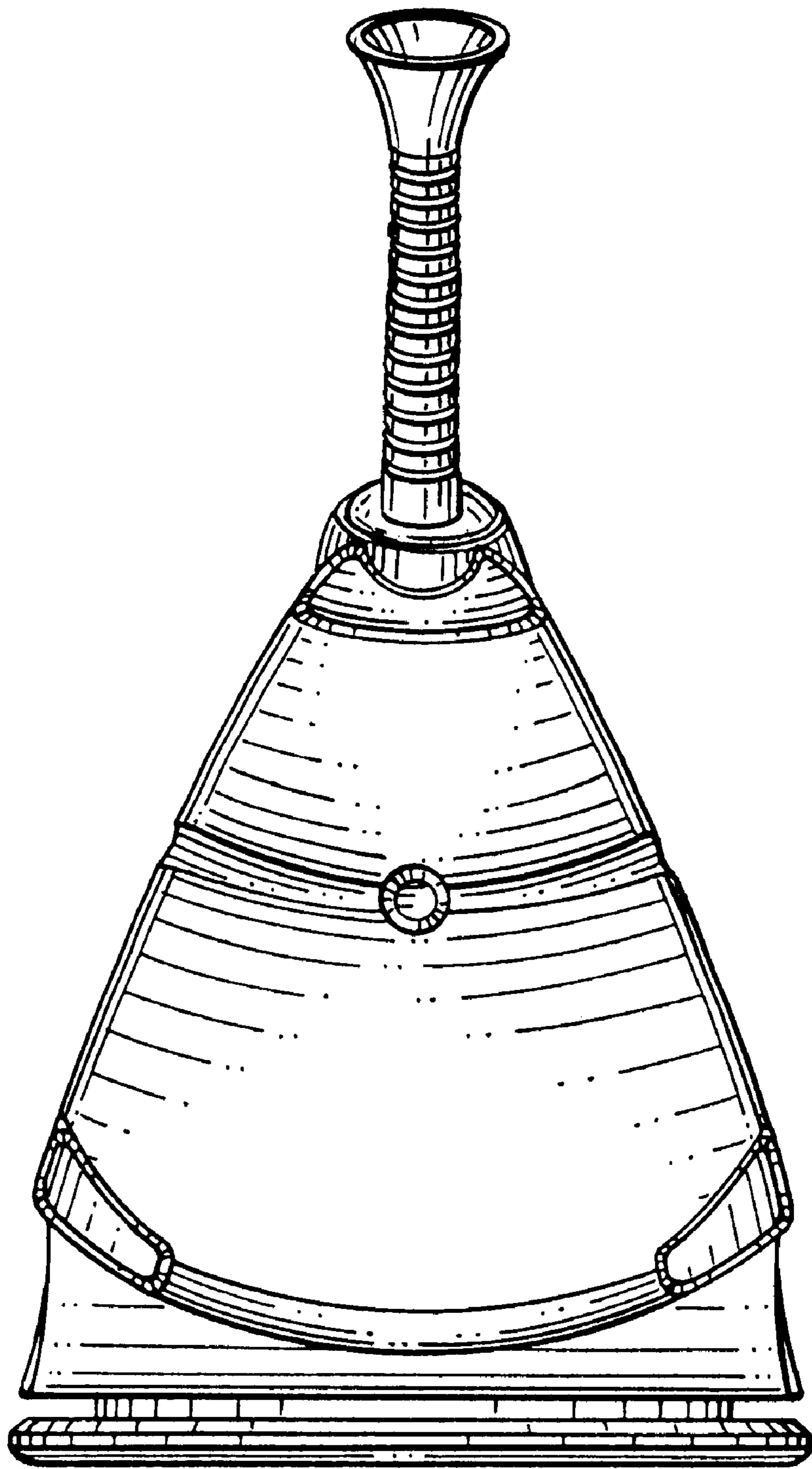


FIG. 5

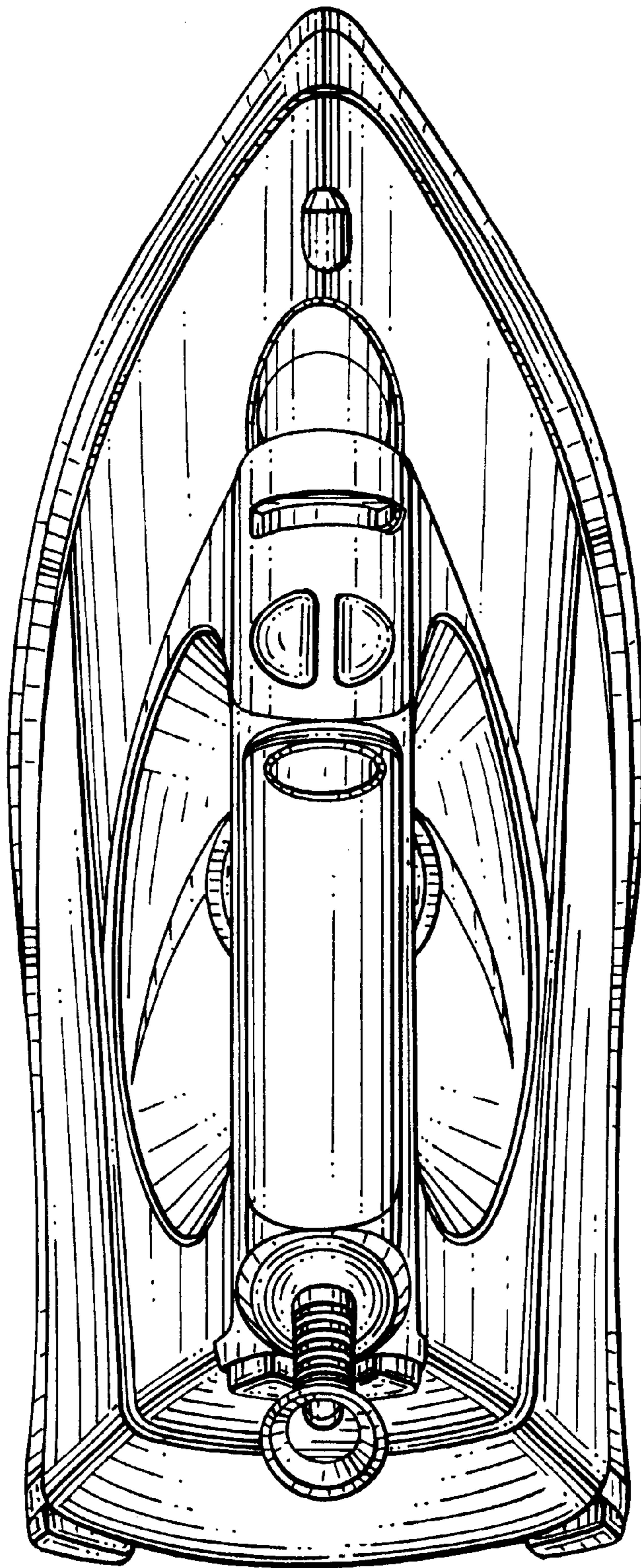


FIG. 6

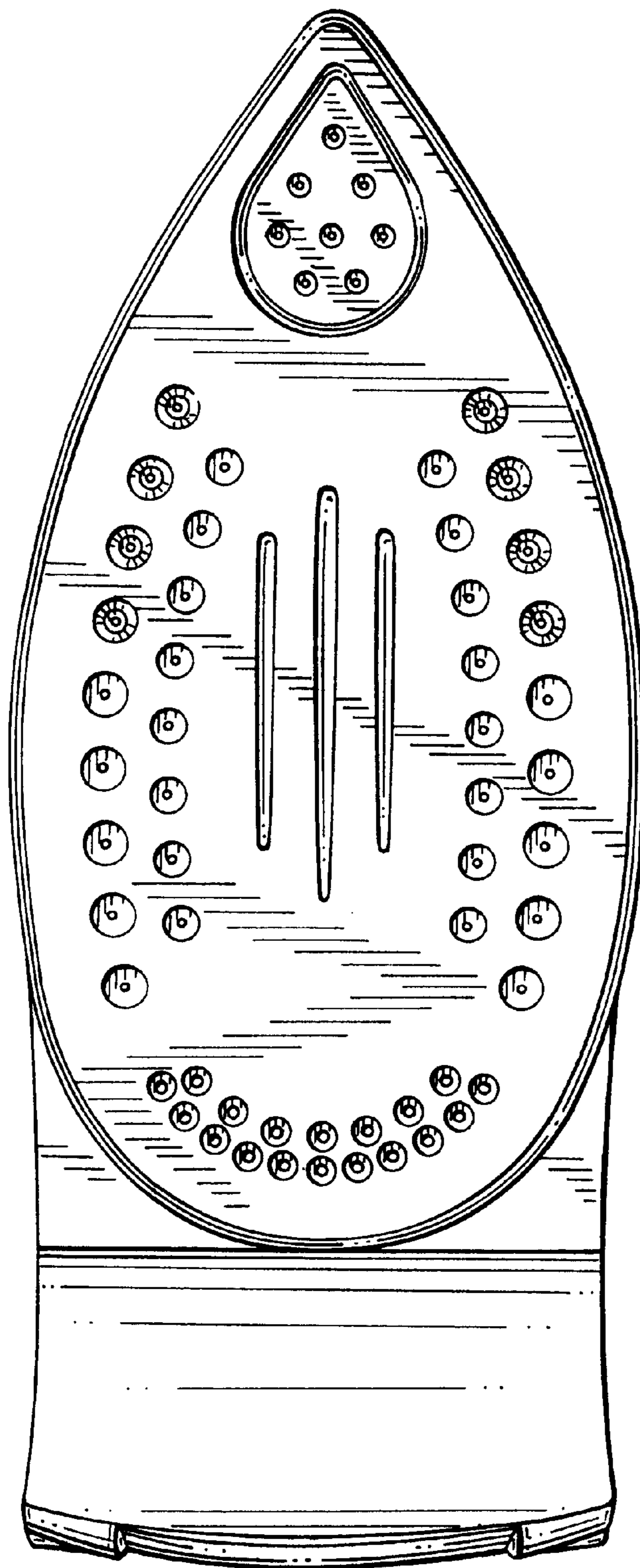


FIG. 7