



US00D488270S

(12) **United States Design Patent**  
**Biere et al.**

(10) **Patent No.:** **US D488,270 S**

(45) **Date of Patent:** **\*\* Apr. 6, 2004**

(54) **INTAKE TUBE**

(75) Inventors: **Darin J. Biere**, Webster City, IA (US);  
**Jason L. Werning**, Ellsworth, IA (US)

(73) Assignee: **White Consolidated Industries, Inc.**,  
Cleveland, OH (US)

(\*\*) Term: **14 Years**

(21) Appl. No.: **29/139,197**

(22) Filed: **Mar. 27, 2001**

(51) **LOC (7) Cl.** ..... **15-05**

(52) **U.S. Cl.** ..... **D32/31; D32/25**

(58) **Field of Search** ..... D32/15-25, 30-33;  
D23/259, 262-264, 393, 394; 15/301, 310,  
312.1, 312.2, 313-315, 319, 321, 414;  
285/7, 222.1, 286.2, 292.1, 305, 308, 319,  
330, 402, 405, 406, 414, 420, 421; 55/DIG. 8;  
200/61.6; 439/191, 192, 195

(56) **References Cited**

**U.S. PATENT DOCUMENTS**

171,964 A *	1/1876	Syversen	285/181
849,444 A *	4/1907	Weiser	285/420
1,179,995 A *	4/1916	Beckwith	126/307 R
1,942,358 A	1/1934	Grathwol	
2,725,113 A *	11/1955	Fagyas	55/431
3,335,744 A *	8/1967	Hanford	137/360
4,557,535 A *	12/1985	Keane	439/13

4,591,368 A	5/1986	MacDuff	
4,938,309 A	7/1990	Emdy	
D349,370 S *	8/1994	Salo et al.	D32/31
D355,244 S *	2/1995	Doragrip et al.	D23/262
5,464,460 A *	11/1995	Bosses	55/374
5,737,797 A	4/1998	Rittmueller et al.	
5,813,085 A	9/1998	Fritz et al.	
6,052,863 A	4/2000	Rittmueller et al.	

\* cited by examiner

*Primary Examiner*—Ted Shooman

*Assistant Examiner*—C Tuttle

(74) *Attorney, Agent, or Firm*—Pearne & Gordon LLP

(57) **CLAIM**

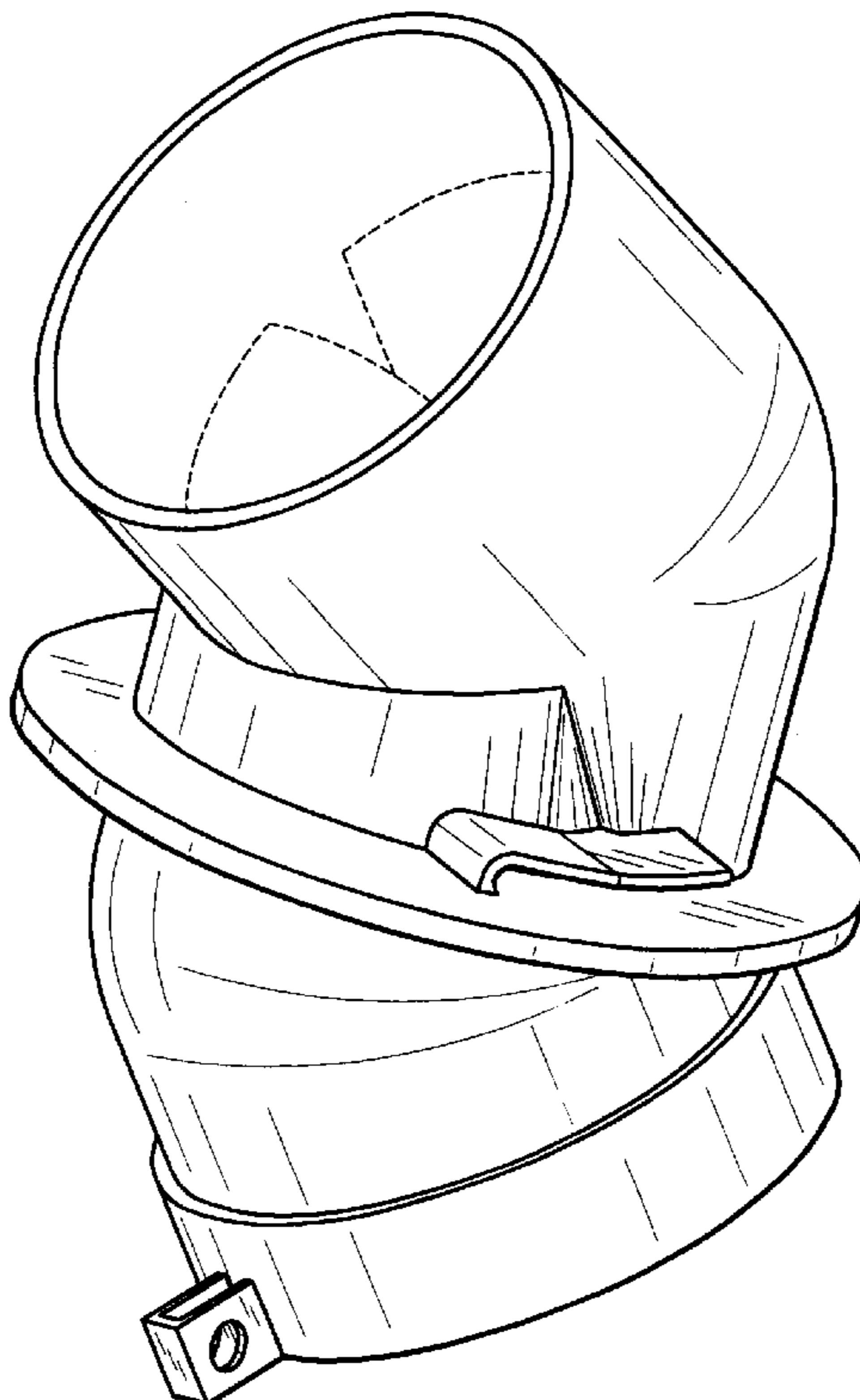
The ornamental design for an intake tube, as substantially shown and described.

**DESCRIPTION**

FIG. 1 is a perspective view of an intake tube, embodying our new design;  
FIG. 2 is an inverted front elevational view thereof;  
FIG. 3 is a right side elevational view of FIG. 2;  
FIG. 4 is a top view of FIG. 2;  
FIG. 5 is a left side elevational view of FIG. 2;  
FIG. 6 is a rear elevational view of FIG. 2; and,  
FIG. 7 is a bottom view of FIG. 2.

The structures shown in broken lines are for illustrative purposes only; and form no part of the claimed design.

**1 Claim, 3 Drawing Sheets**



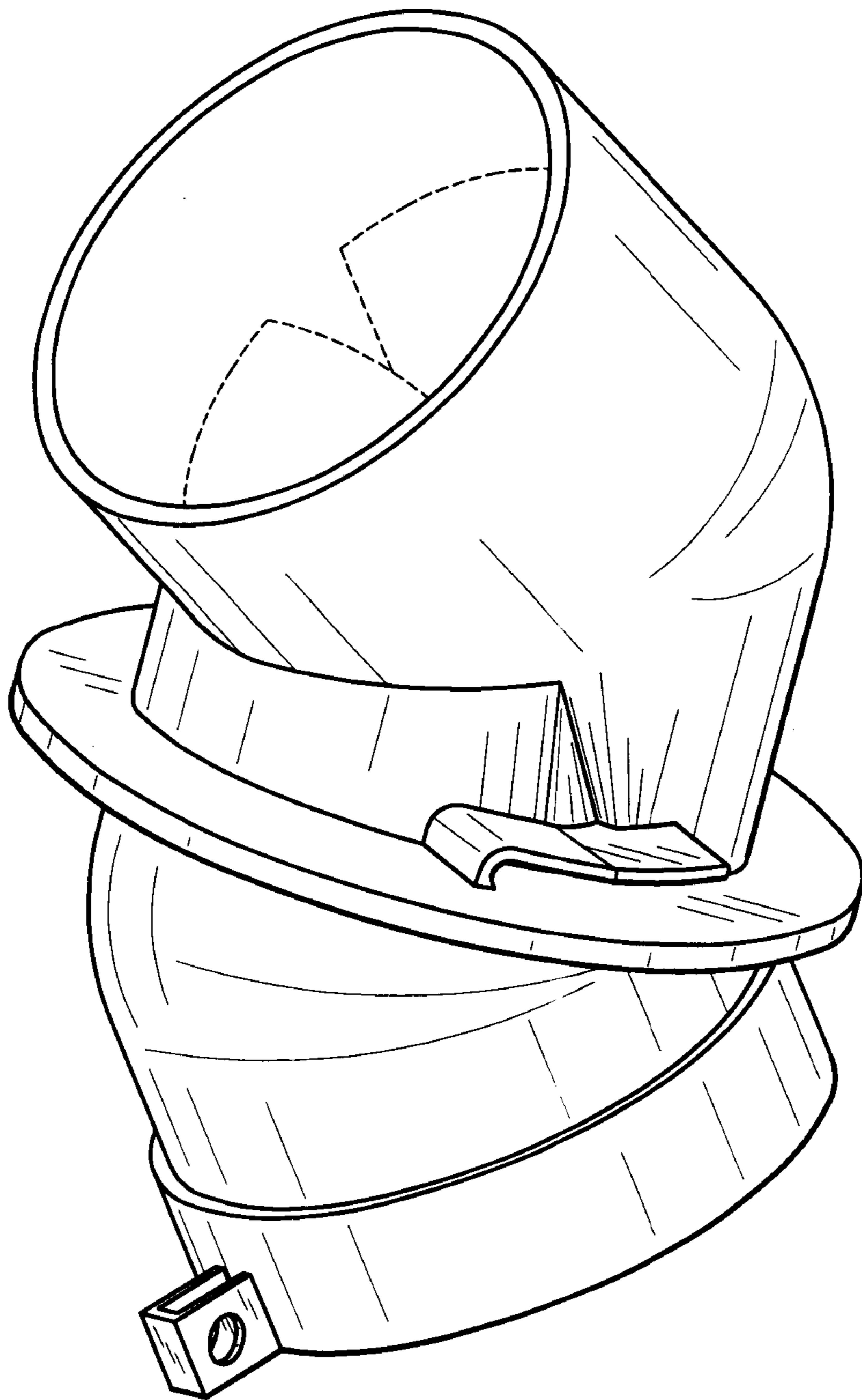


FIG. 1

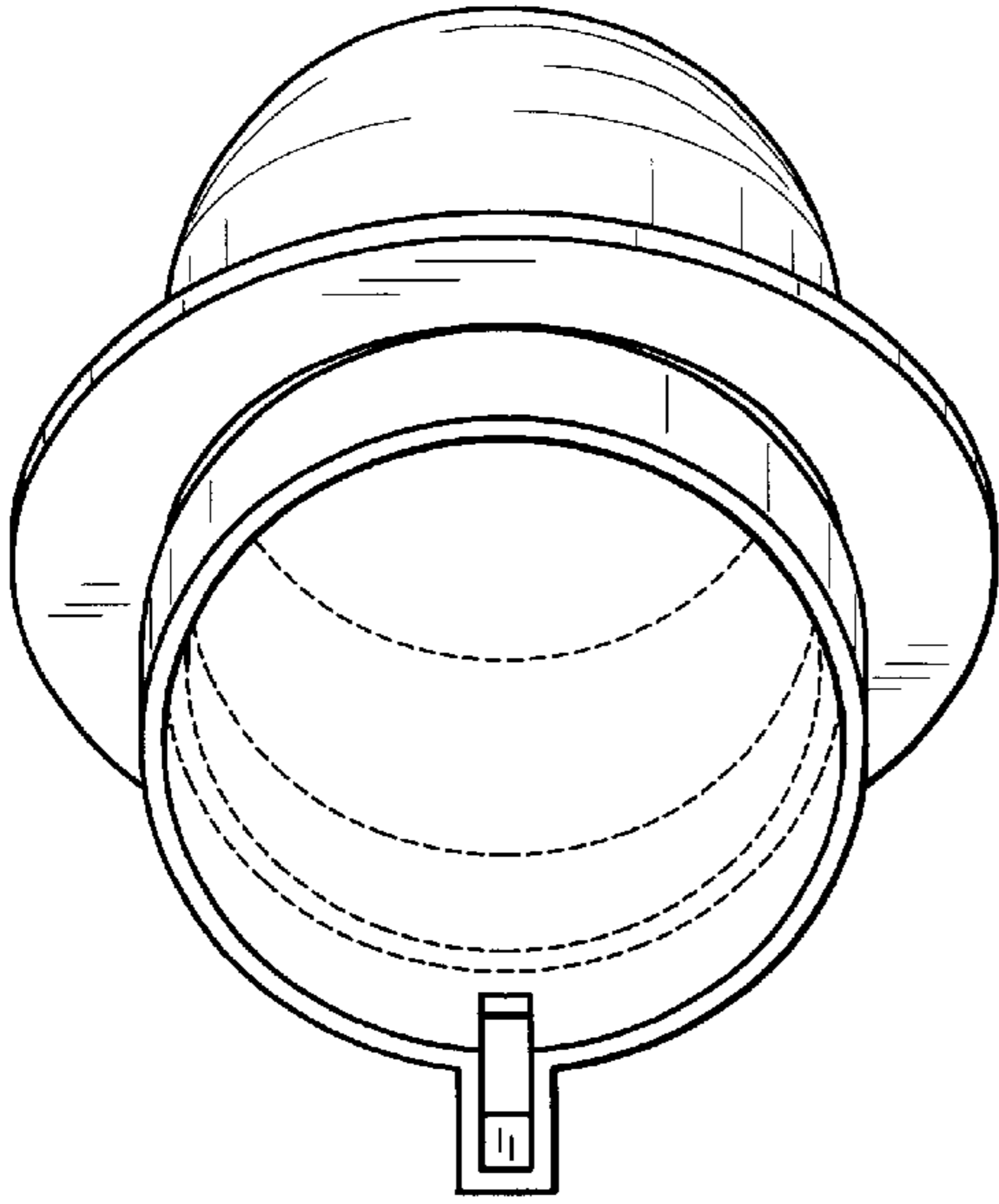


FIG. 4

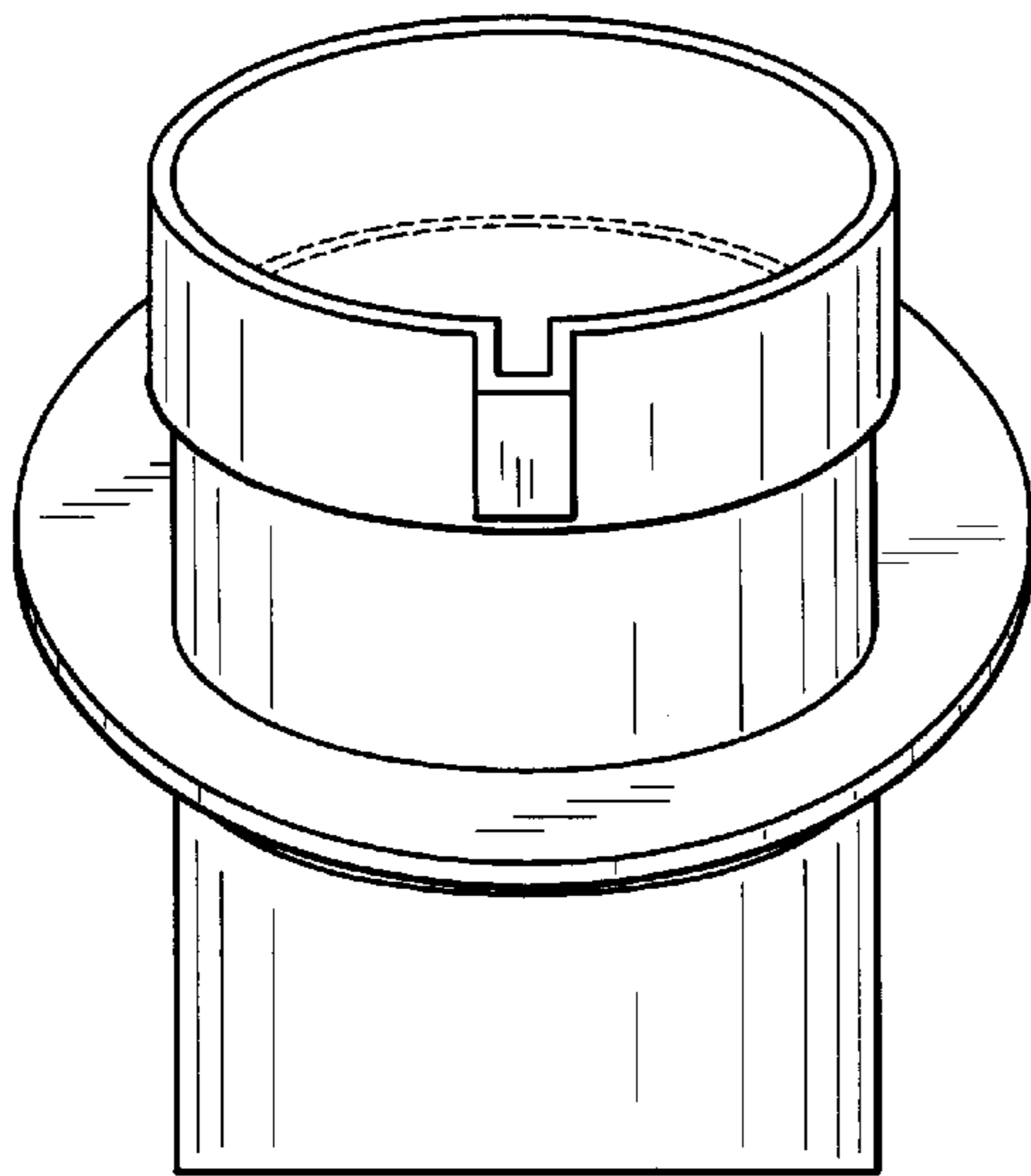


FIG. 2

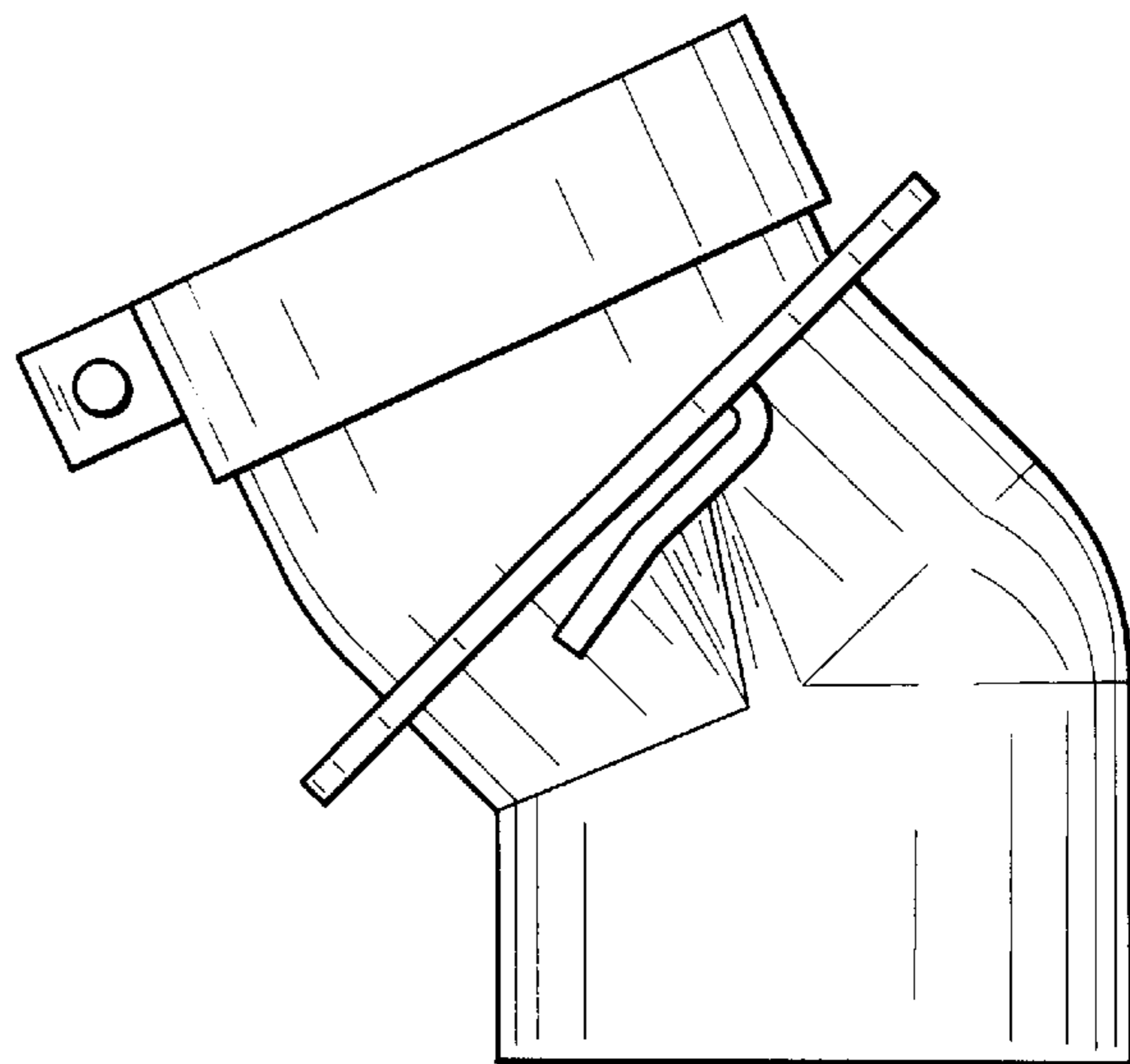


FIG. 3

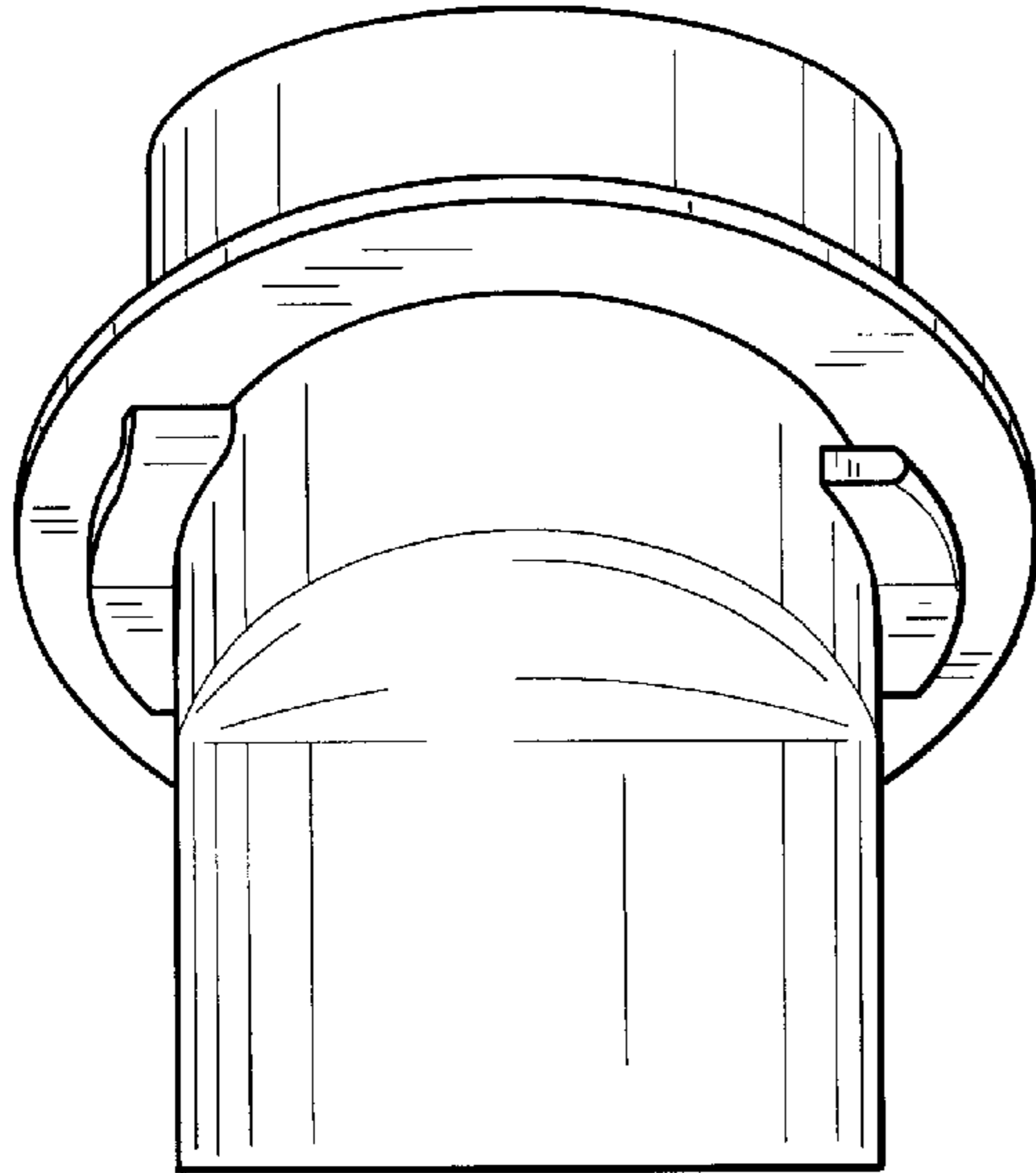


FIG. 6

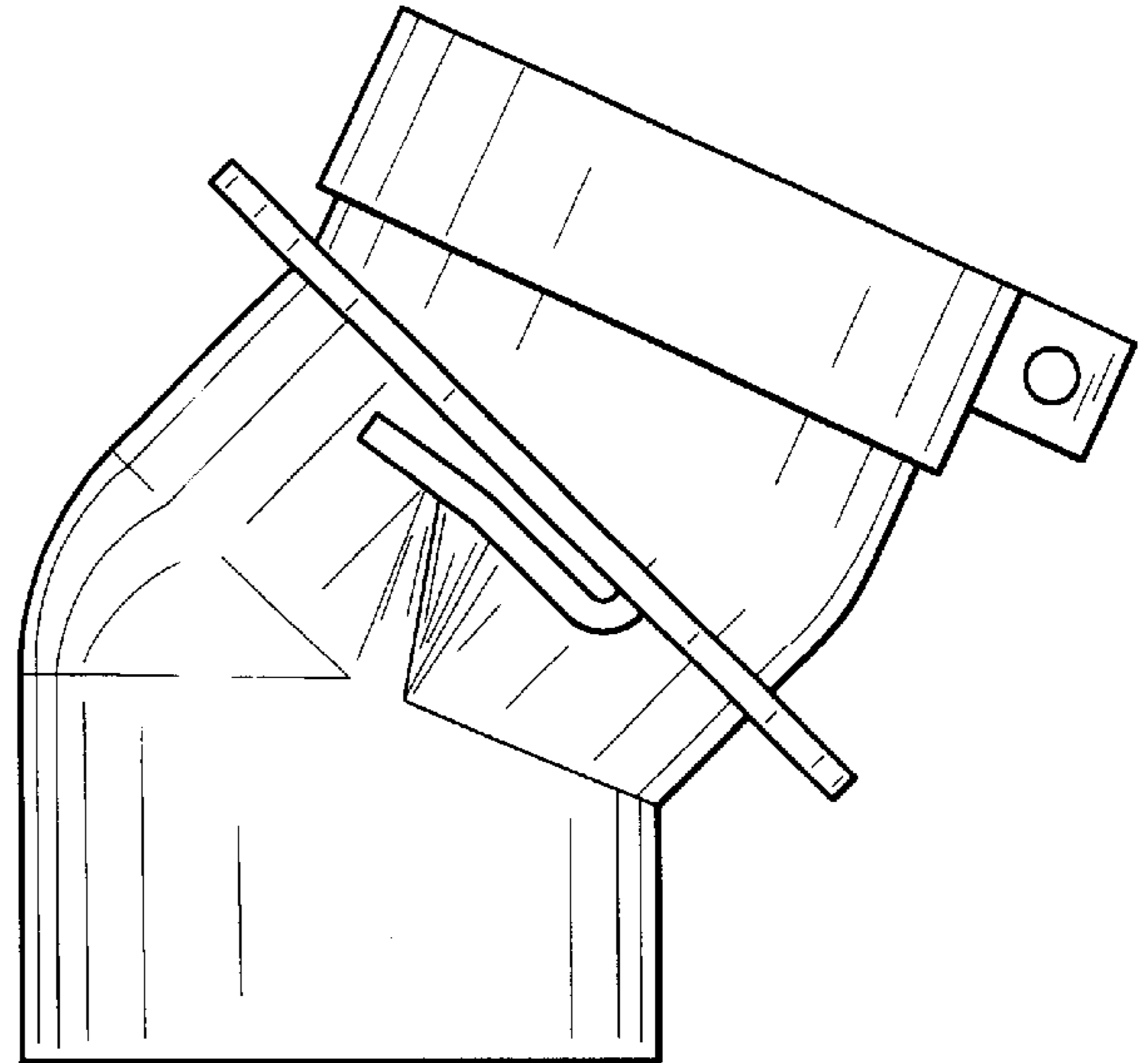


FIG. 5

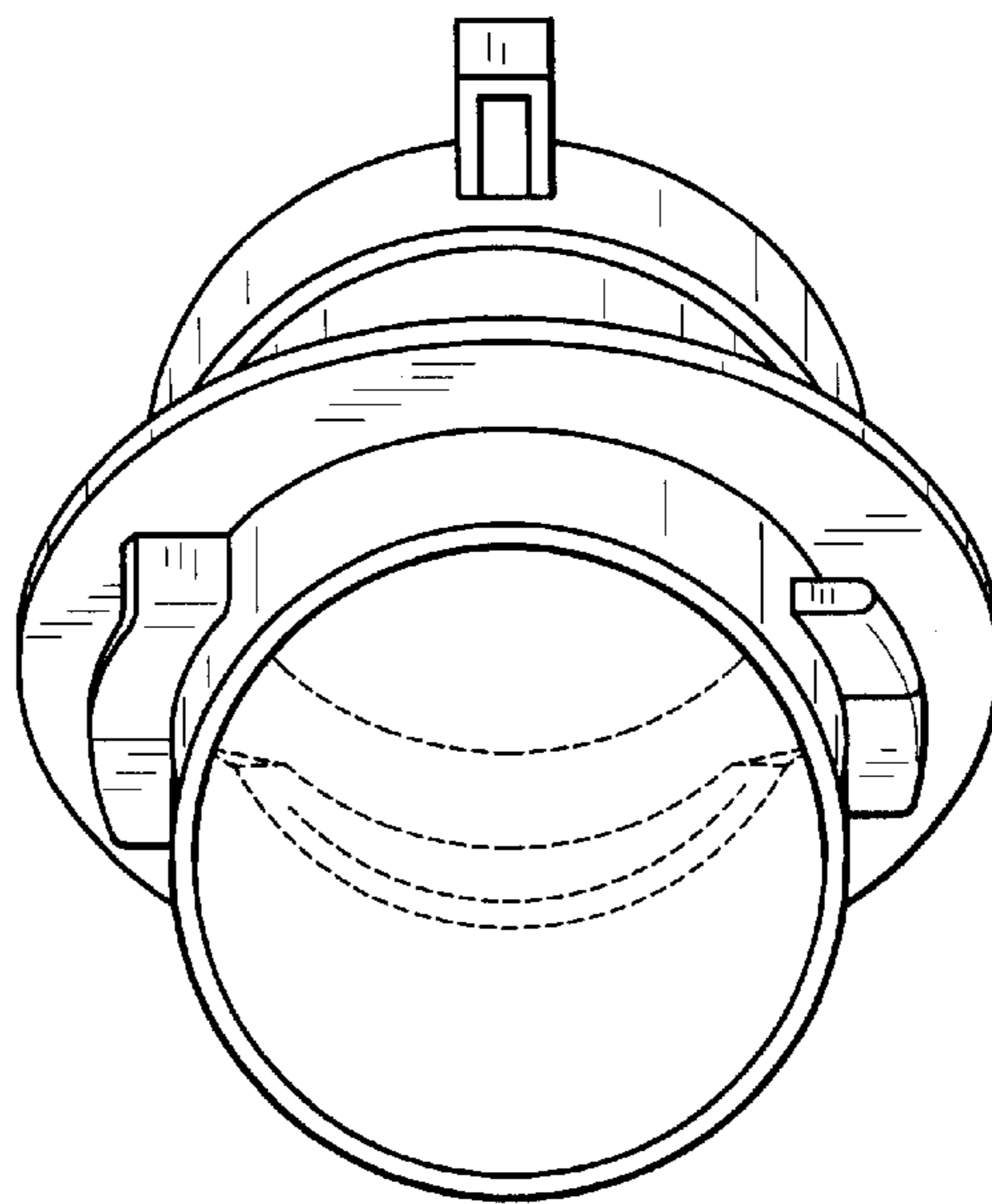


FIG. 7

UNITED STATES PATENT AND TRADEMARK OFFICE  
**CERTIFICATE OF CORRECTION**

PATENT NO. : Des. 488,270 S  
DATED : April 6, 2004  
INVENTOR(S) : Darin Biere et al.

Page 1 of 1

It is certified that error appears in the above-identified patent and that said Letters Patent is hereby corrected as shown below:

Title page.

Item [54], Title, please delete the title and insert therefor -- **INTAKE TUBE FOR CENTRAL VACUUM CLEANER** --.

Signed and Sealed this

Thirty-first Day of August, 2004

A handwritten signature in black ink on a dotted background. The signature reads "Jon W. Dudas" in a cursive style.

JON W. DUDAS

*Director of the United States Patent and Trademark Office*