



US00D488268S

(12) **United States Design Patent**
Chen

(10) **Patent No.:** **US D488,268 S**

(45) **Date of Patent:** **** Apr. 6, 2004**

(54) **ELECTROMOTION SWEEPER**

(76) Inventor: **Chung-ming Chen**, 2FL., No. 13, Lane 218, Chuan-hsien St., Taipei (TW)

(**) Term: **14 Years**

(21) Appl. No.: **29/180,413**

(22) Filed: **Apr. 24, 2003**

(51) **LOC (7) Cl.** **15-05**

(52) **U.S. Cl.** **D32/15**

(58) **Field of Search** D32/1, 15, 25,
D32/21-22, 34; 15/3

(56) **References Cited**

U.S. PATENT DOCUMENTS

- 5,054,157 A * 10/1991 Werner et al. 15/328
- D424,261 S * 5/2000 Embree et al. D32/34
- D426,356 S * 6/2000 Tsuruha D32/22

OTHER PUBLICATIONS

Karcher full line catalog, 2001: power brush, p. 10; Karcher 3001 vacuum and washer, p. 22.*

* cited by examiner

Primary Examiner—Louis S. Zarfaz

Assistant Examiner—Robert A Delehanty

(74) *Attorney, Agent, or Firm*—Bacon & Thomas, PLLC

(57) **CLAIM**

The ornamental design for an electromotion sweeper, as shown and described.

DESCRIPTION

FIG. 1 is a front elevational view of an Electromotion sweeper showing my design;

FIG. 2 is a rear elevational view thereof;

FIG. 3 is a left side elevational view thereof;

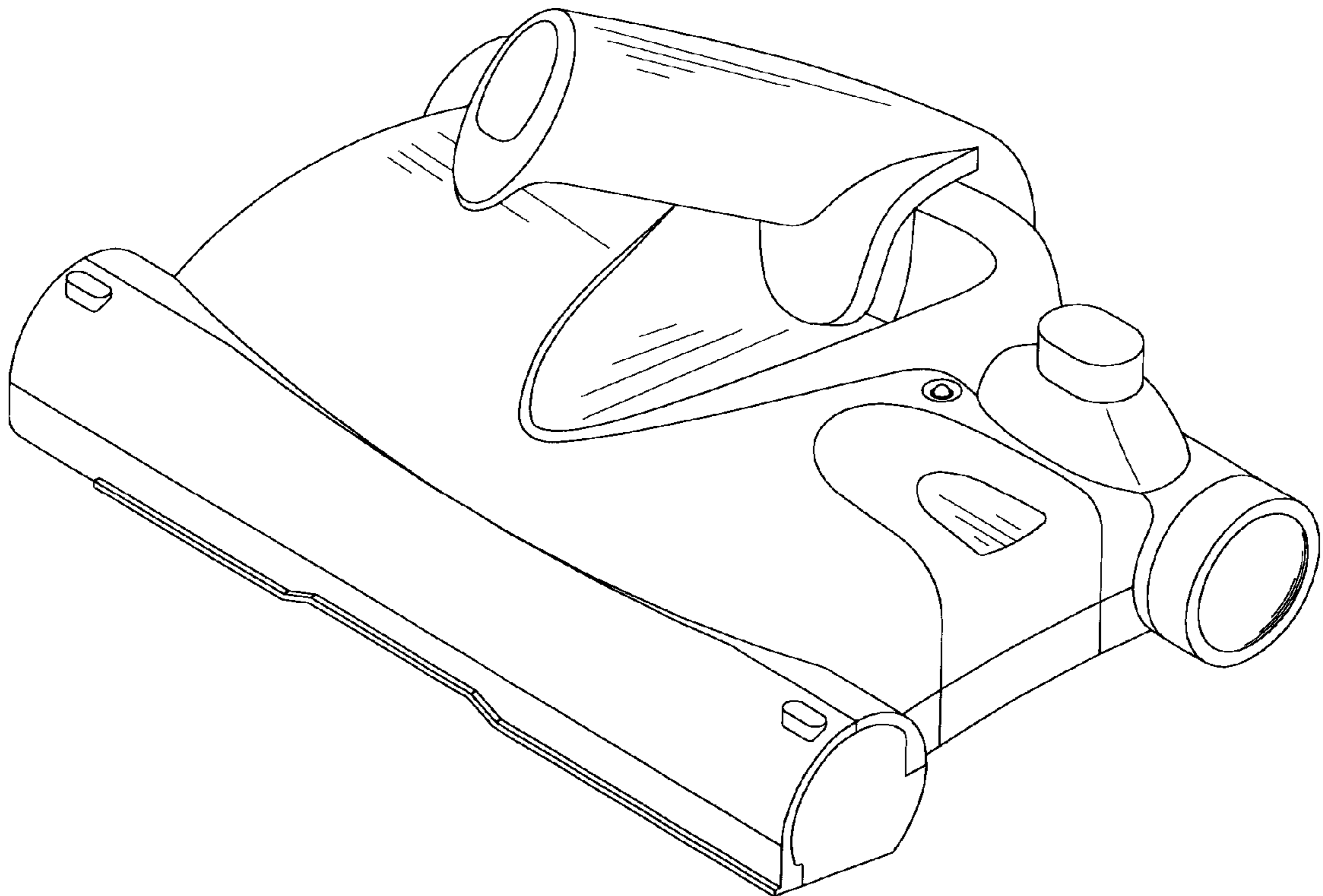
FIG. 4 is a right side elevational view thereof;

FIG. 5 is a top plan view thereof;

FIG. 6 is a bottom plan view thereof; and,

FIG. 7 is a perspective view thereof.

1 Claim, 4 Drawing Sheets



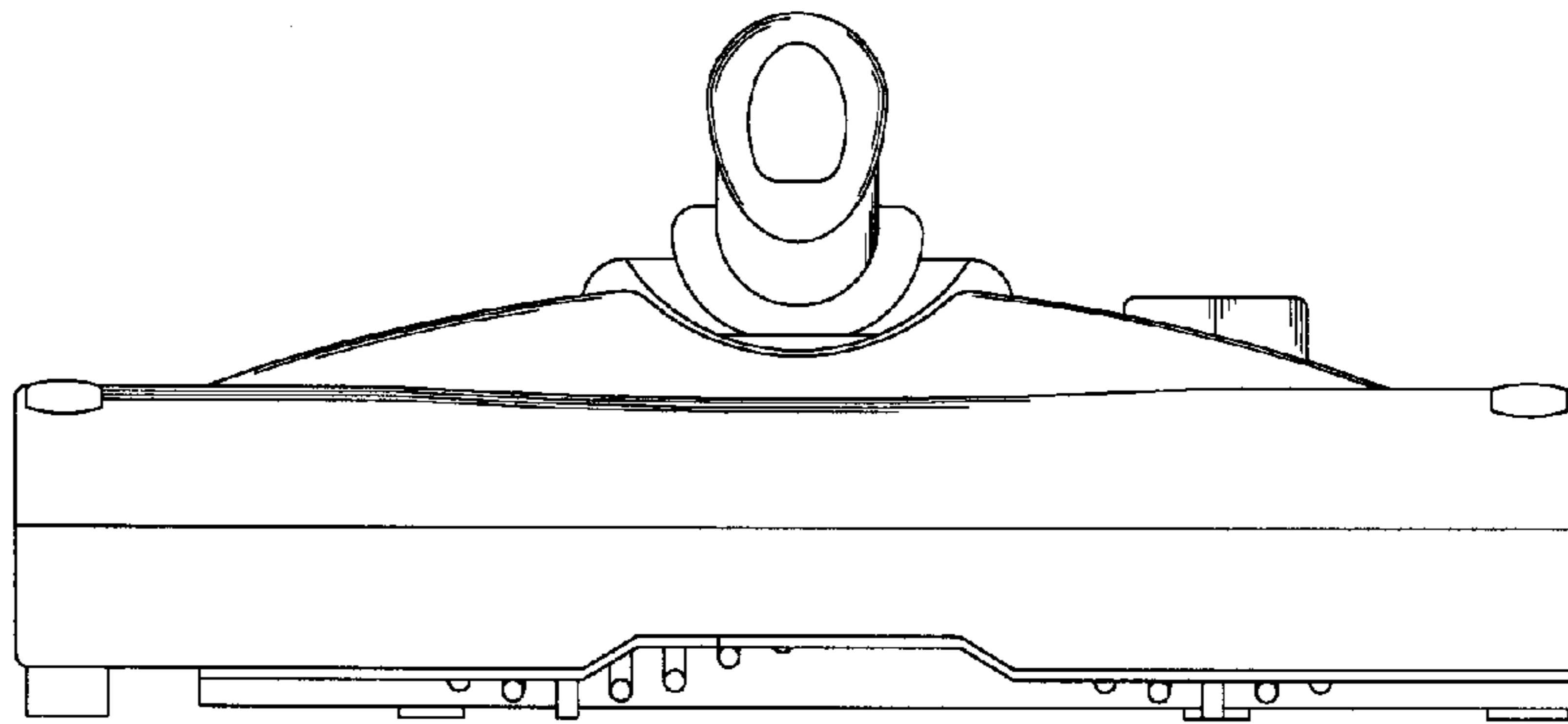


FIG.1

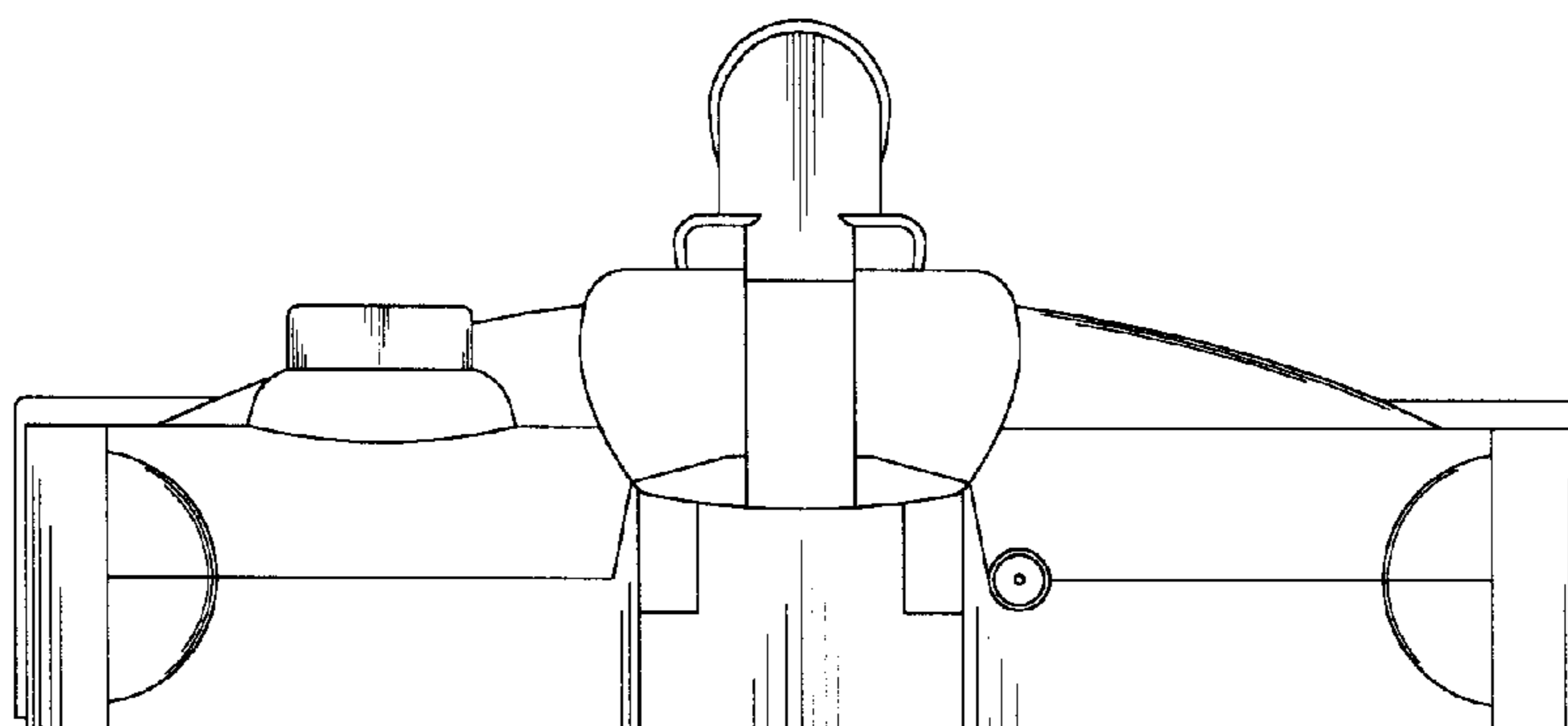


FIG.2

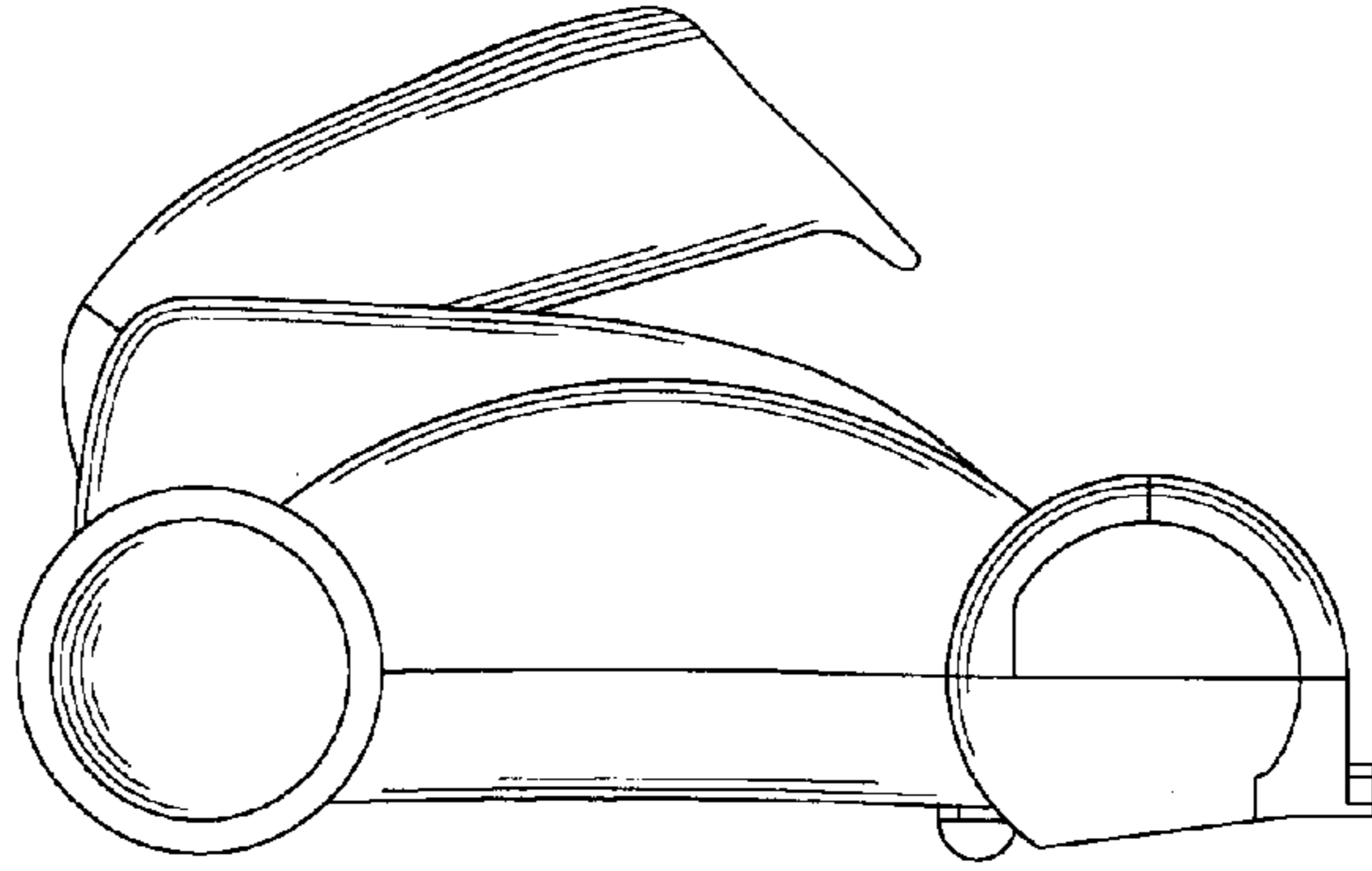


FIG.3

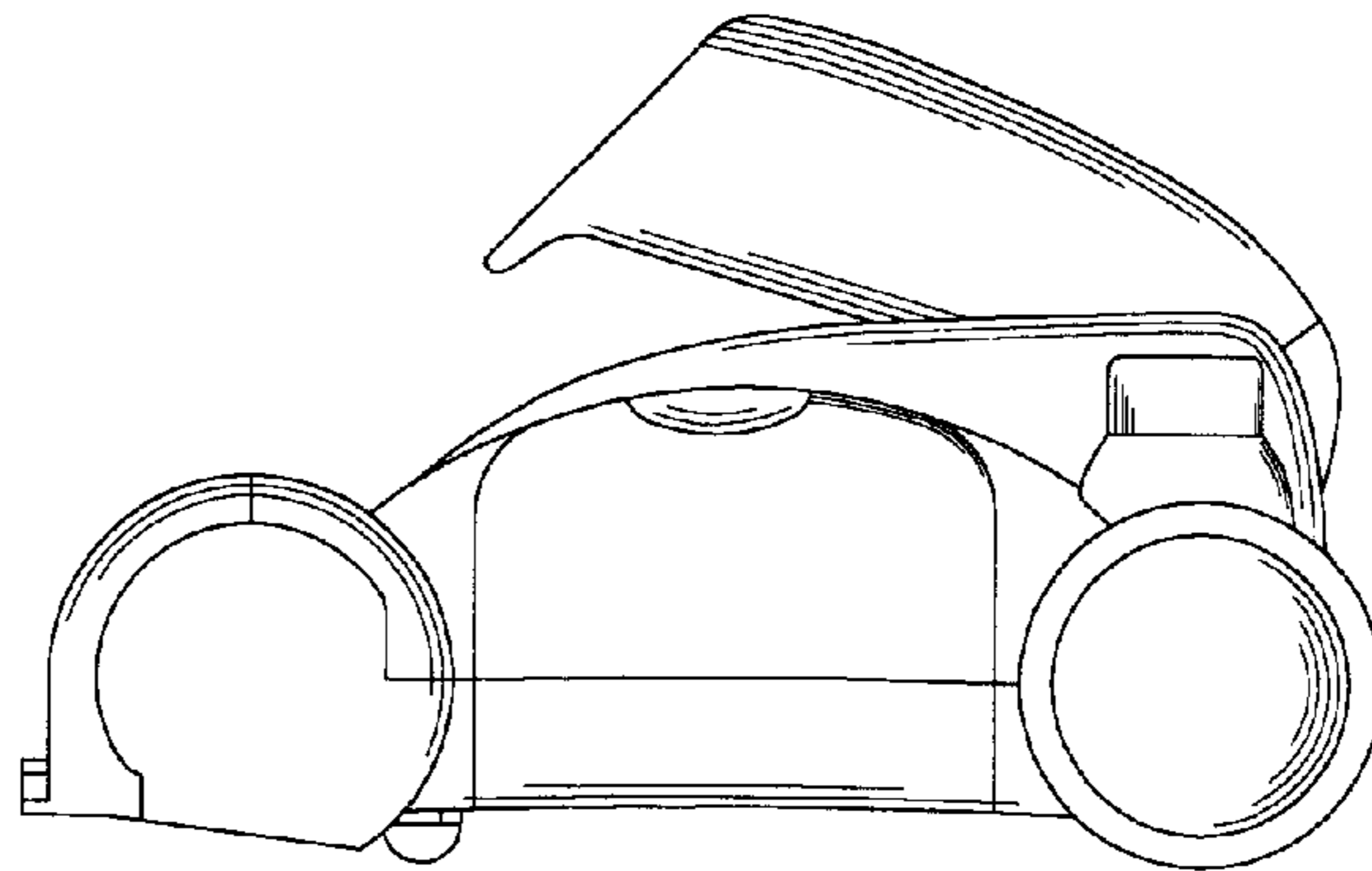


FIG.4

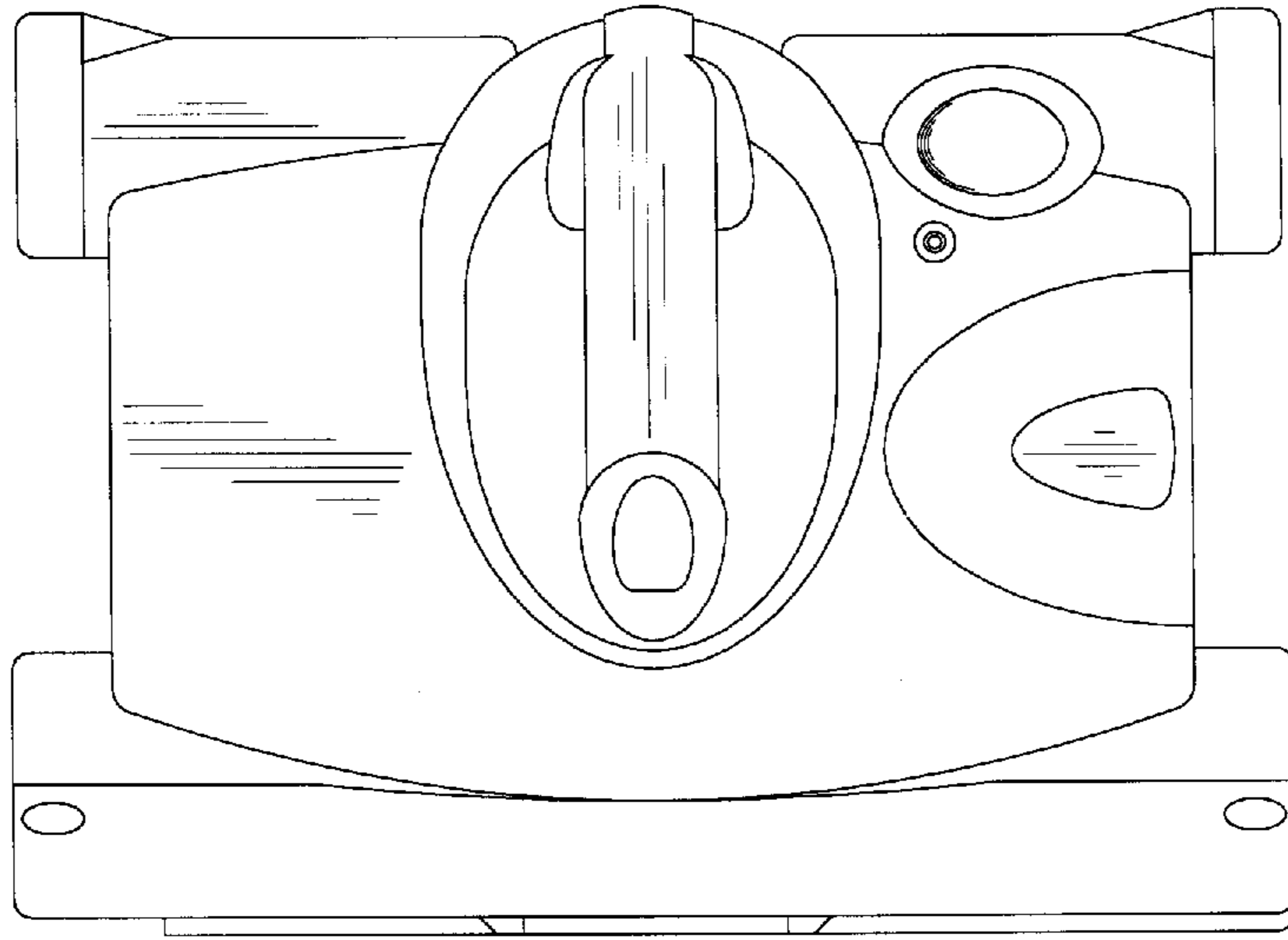


FIG.5

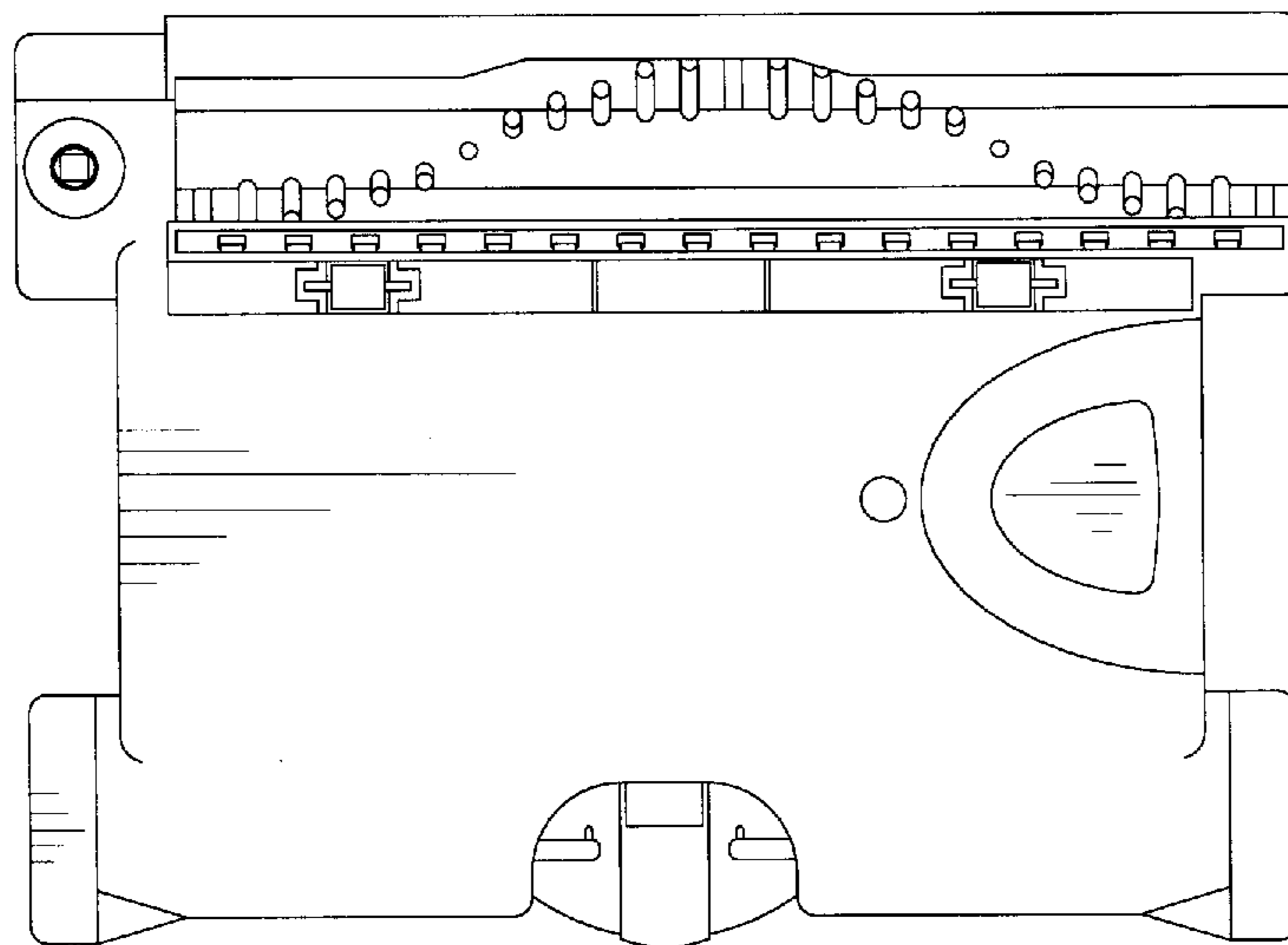


FIG.6

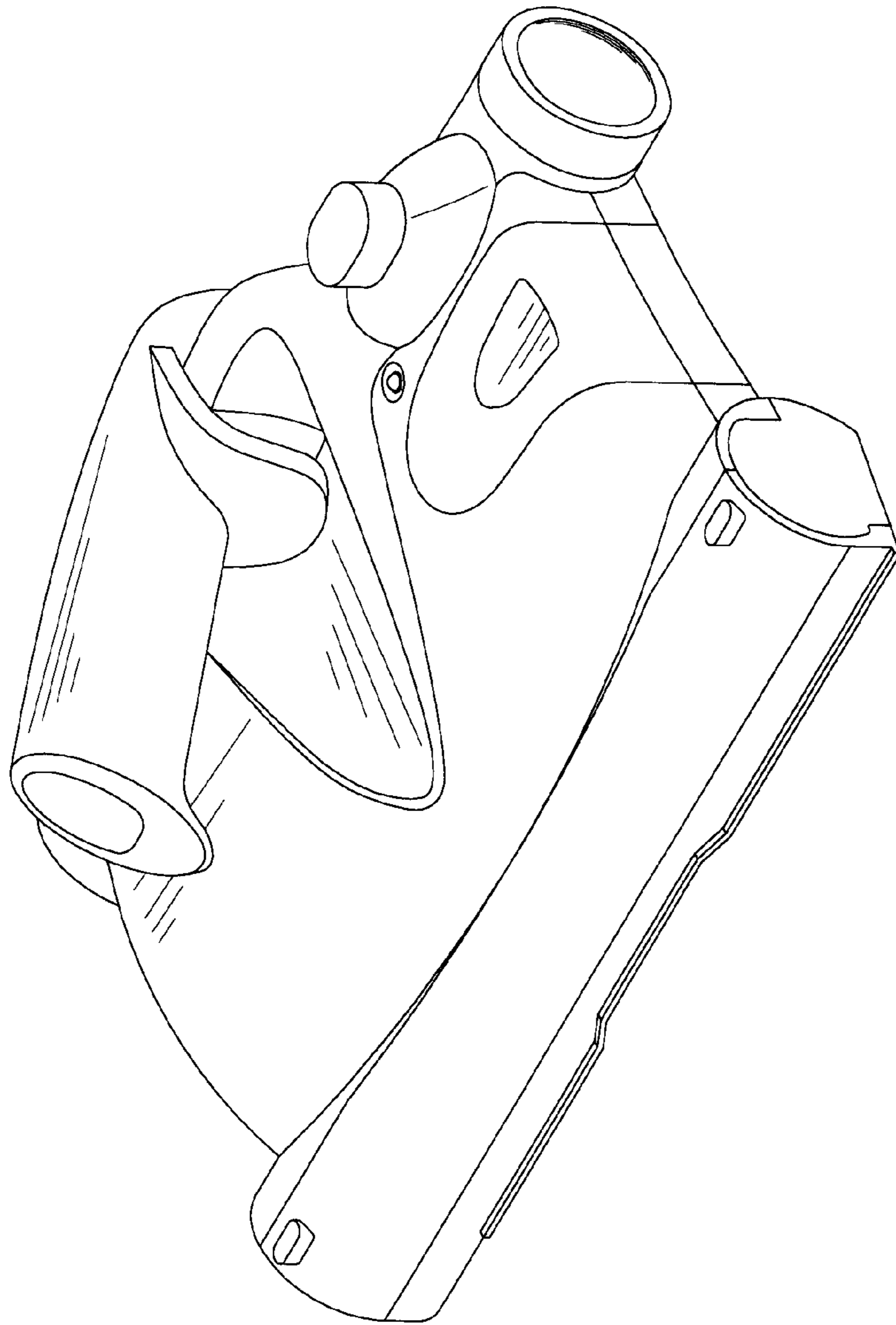


FIG.7