



US00D488266S

(12) **United States Design Patent**
VanSkiver

(10) **Patent No.:** **US D488,266 S**

(45) **Date of Patent:** **** Apr. 6, 2004**

(54) **PET SHELTER**

(75) Inventor: **Ralph VanSkiver**, Mansfield, TX (US)

(73) Assignee: **Doskocil Manufacturing Company, Inc.**, Arlington, TX (US)

(**) Term: **14 Years**

(21) Appl. No.: **29/169,416**

(22) Filed: **Oct. 21, 2002**

(51) **LOC (7) Cl.** **30-02**

(52) **U.S. Cl.** **D30/108**

(58) **Field of Search** D30/108, 109,
D30/110, 111, 112, 114, 119, 124, 125,
126, 161, 118; D21/507, 508, 511; 119/498-499,
484-485, 28.5, 452-453, 57.8, 57.9, 161-170,
482, 496, 455-456, 459-461, 464, 472,
475, 481; D11/145

(56) **References Cited**

U.S. PATENT DOCUMENTS

D327,143 S	*	6/1992	Dickinson	D30/108
D334,634 S	*	4/1993	Greitzer	D30/108
D349,980 S		8/1994	Northrop et al.	D30/108
D359,588 S	*	6/1995	Brazis	D30/108
D366,541 S	*	1/1996	Bradburn et al.	D30/112
D426,923 S	*	6/2000	Chrisco	D30/108

OTHER PUBLICATIONS

Doskocil Manufacturing Company, Inc., Woodstone Manor, #25551, Oct. 1996.

Doskocil Manufacturing Company, Inc., Barney Animal Hauz, #25205, Aug. 1998.

Doskocil Manufacturing Company, Inc., Ruff Hauz, #25831, Aug. 1998.

Doskocil Manufacturing Company, Inc., Brik Hauz, #25836, Nov. 1998.

Big Lots Advertisement, Large Dog House, Jan. 2002.

* cited by examiner

Primary Examiner—Cathy Anne MacCormac

(74) *Attorney, Agent, or Firm*—Locke Liddell & Sapp LLP

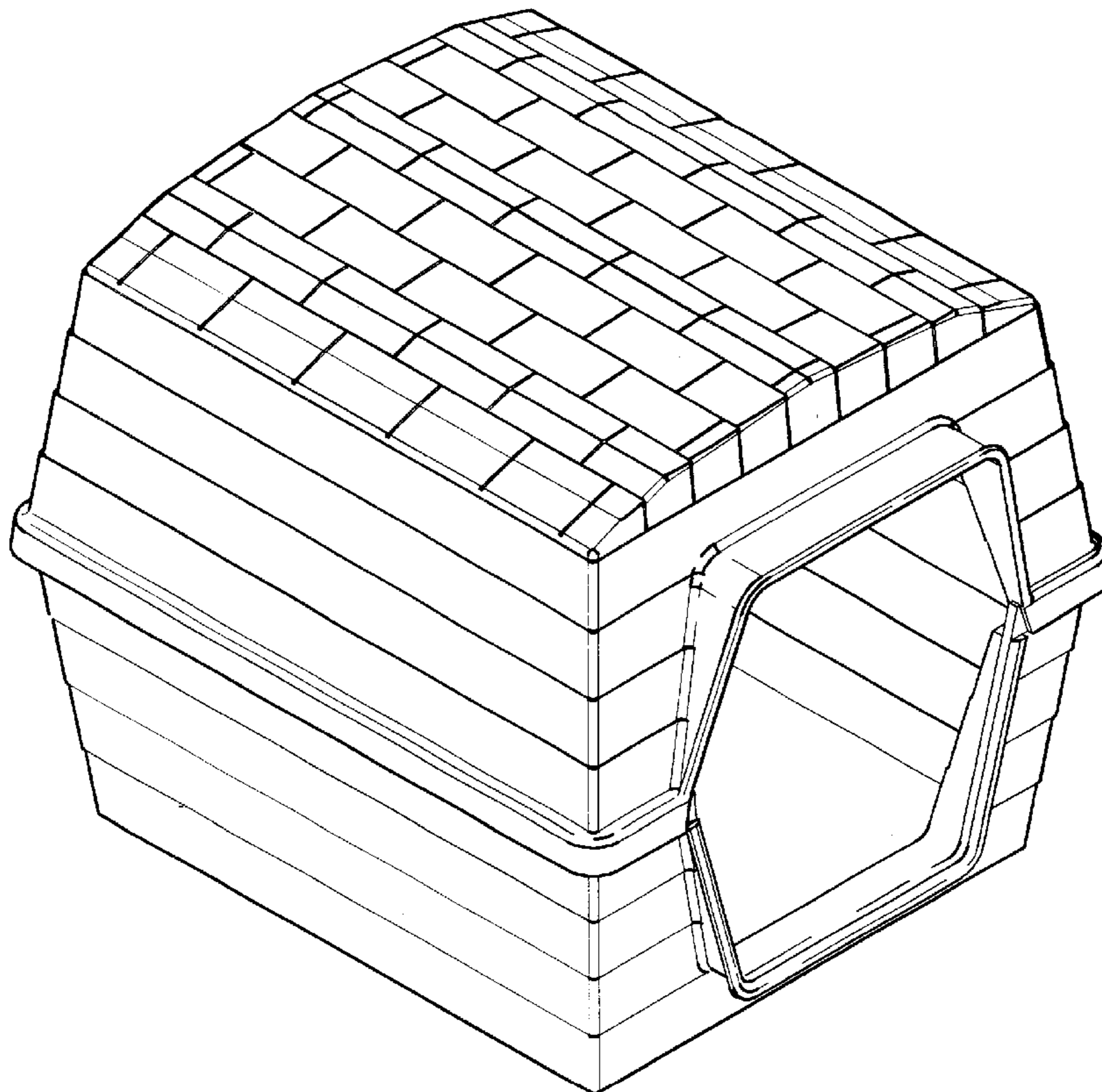
(57) **CLAIM**

The ornamental design for a pet shelter, as shown and described.

DESCRIPTION

FIG. 1 is a front perspective view of a pet shelter;
FIG. 2 is a front elevational view thereof;
FIG. 3 is a rear elevational view thereof;
FIG. 4 is a left side elevational view thereof, the right side
elevational view being a mirror image;
FIG. 5 is a top plan view thereof; and,
FIG. 6 is a bottom plan view thereof.

1 Claim, 3 Drawing Sheets



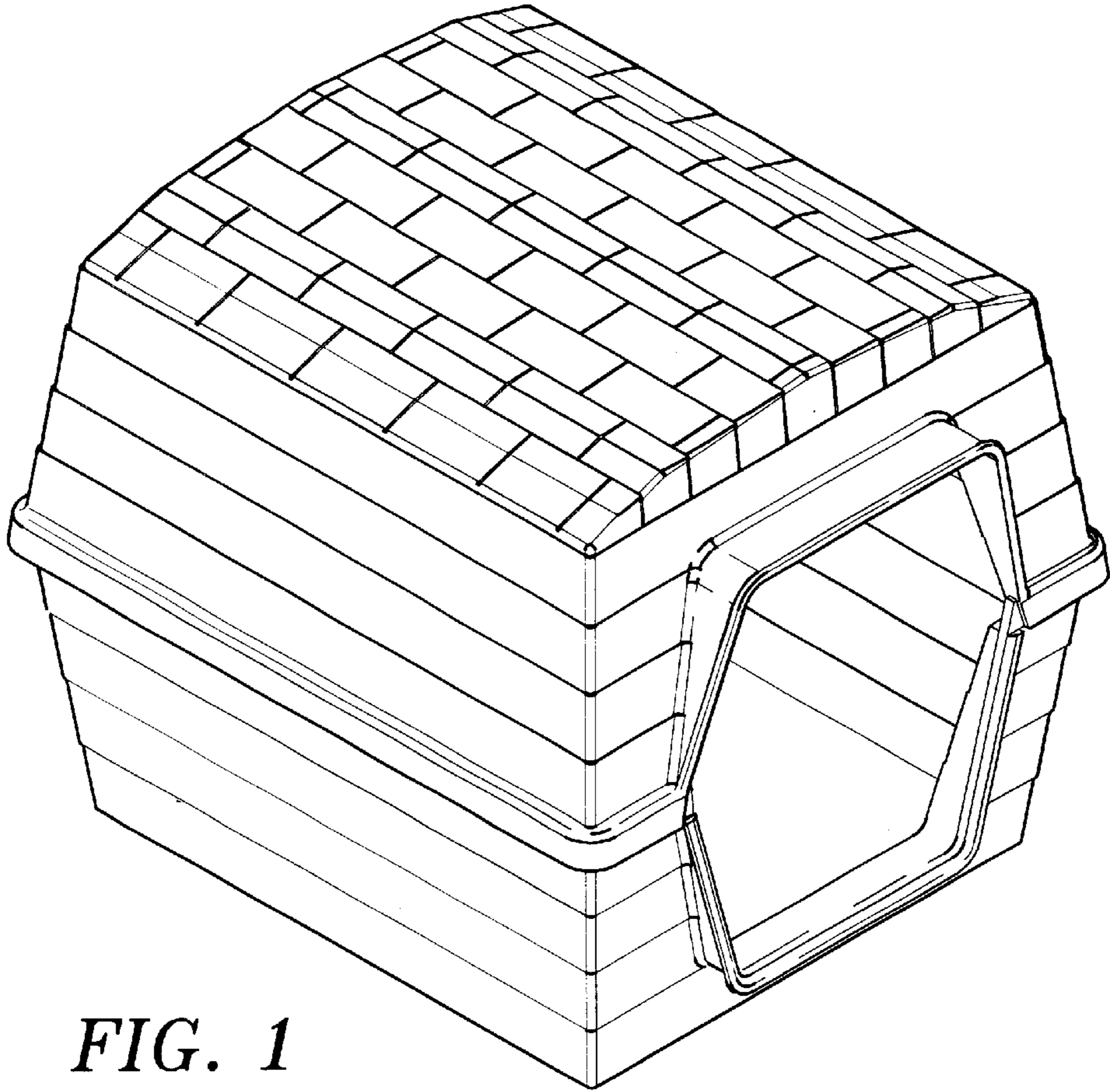


FIG. 1

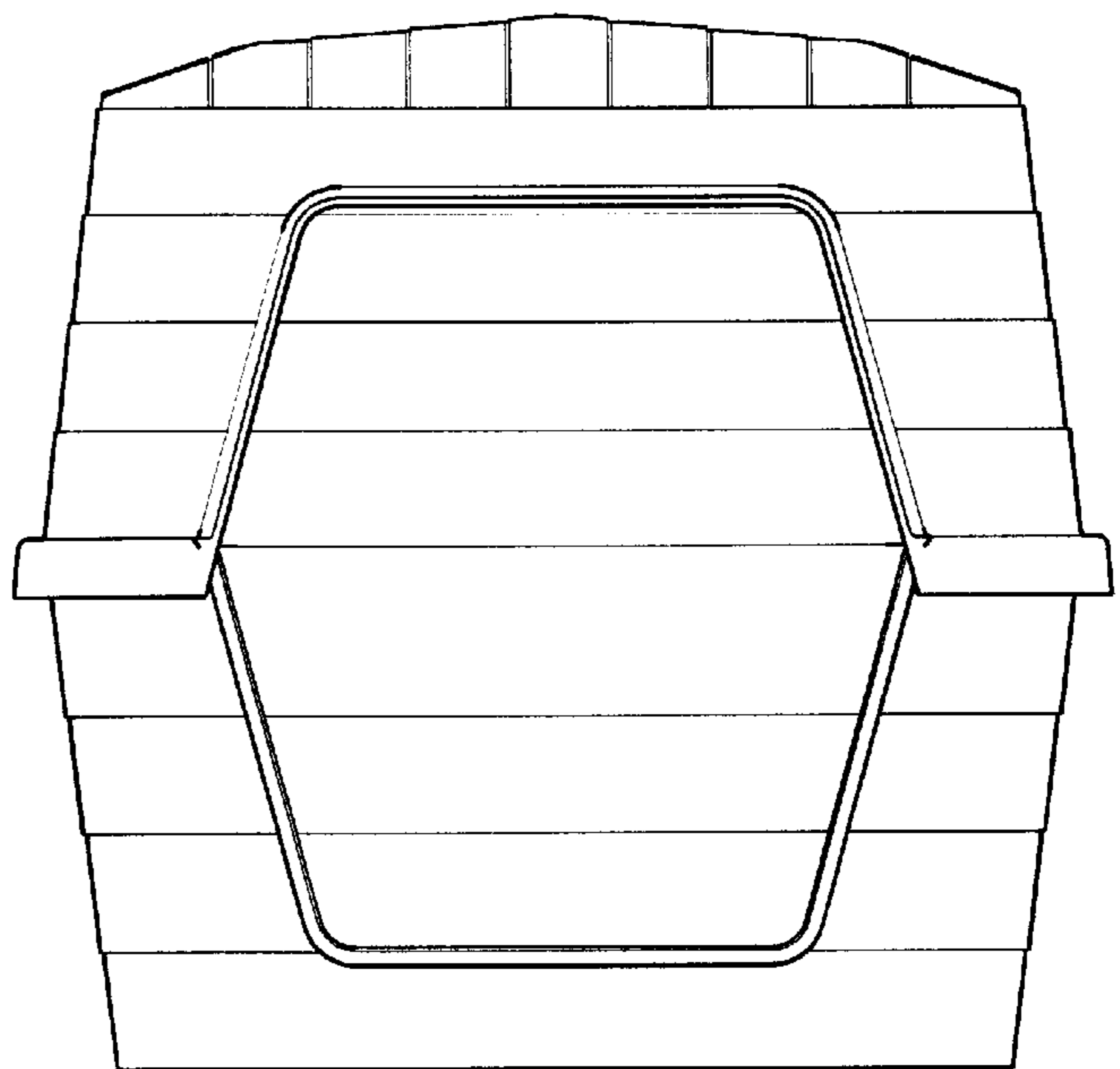


FIG. 2

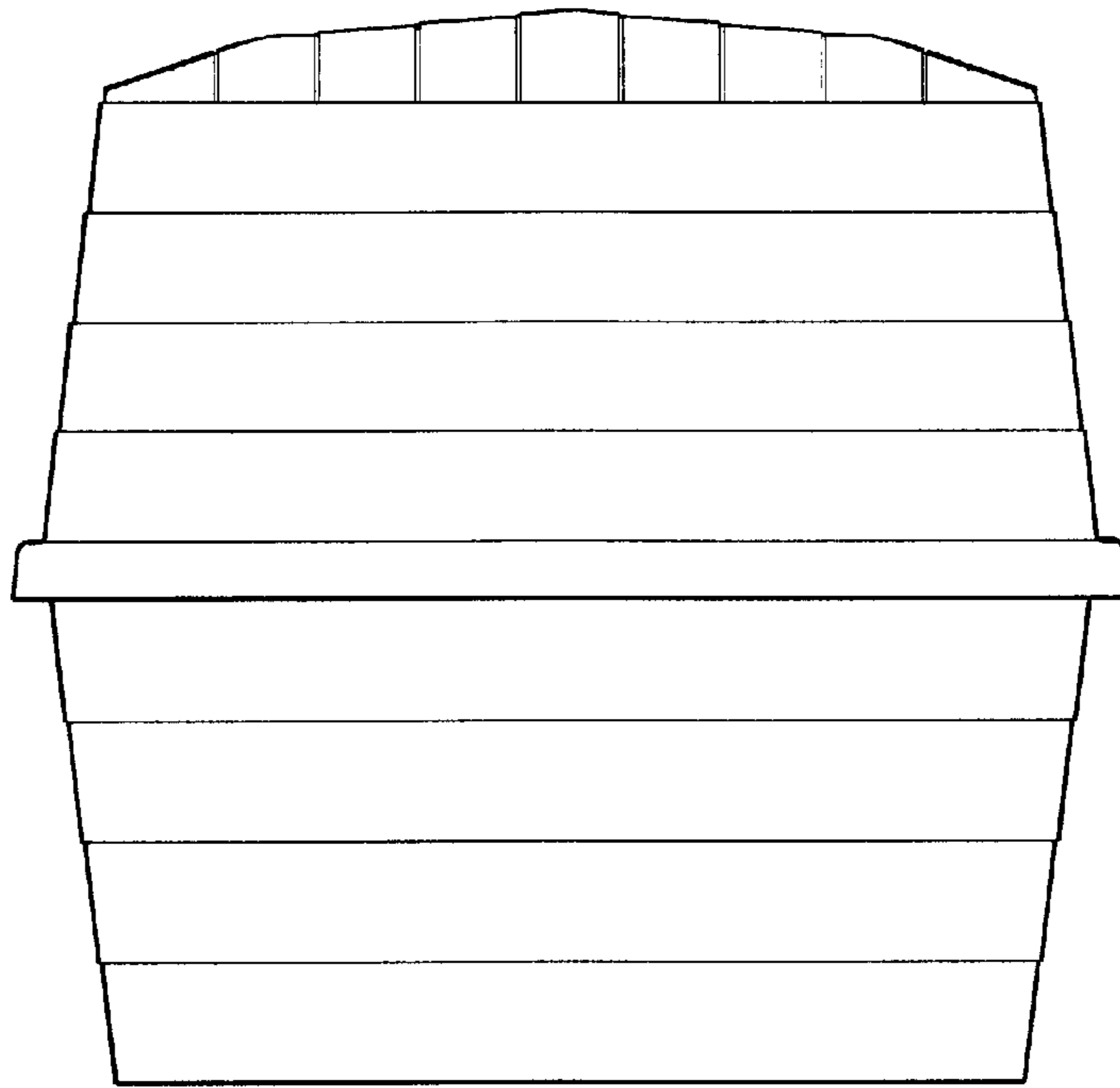


FIG. 3

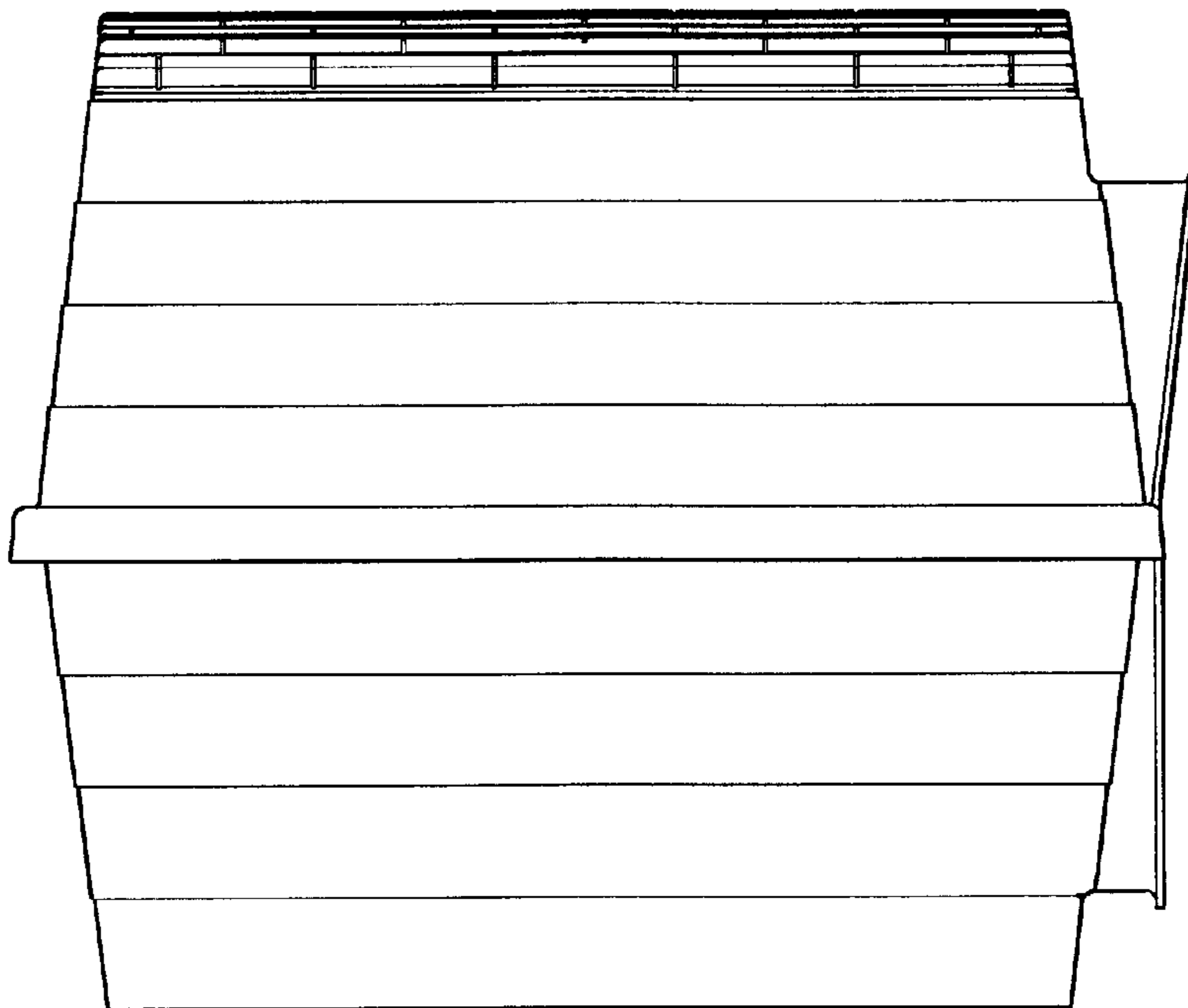


FIG. 4

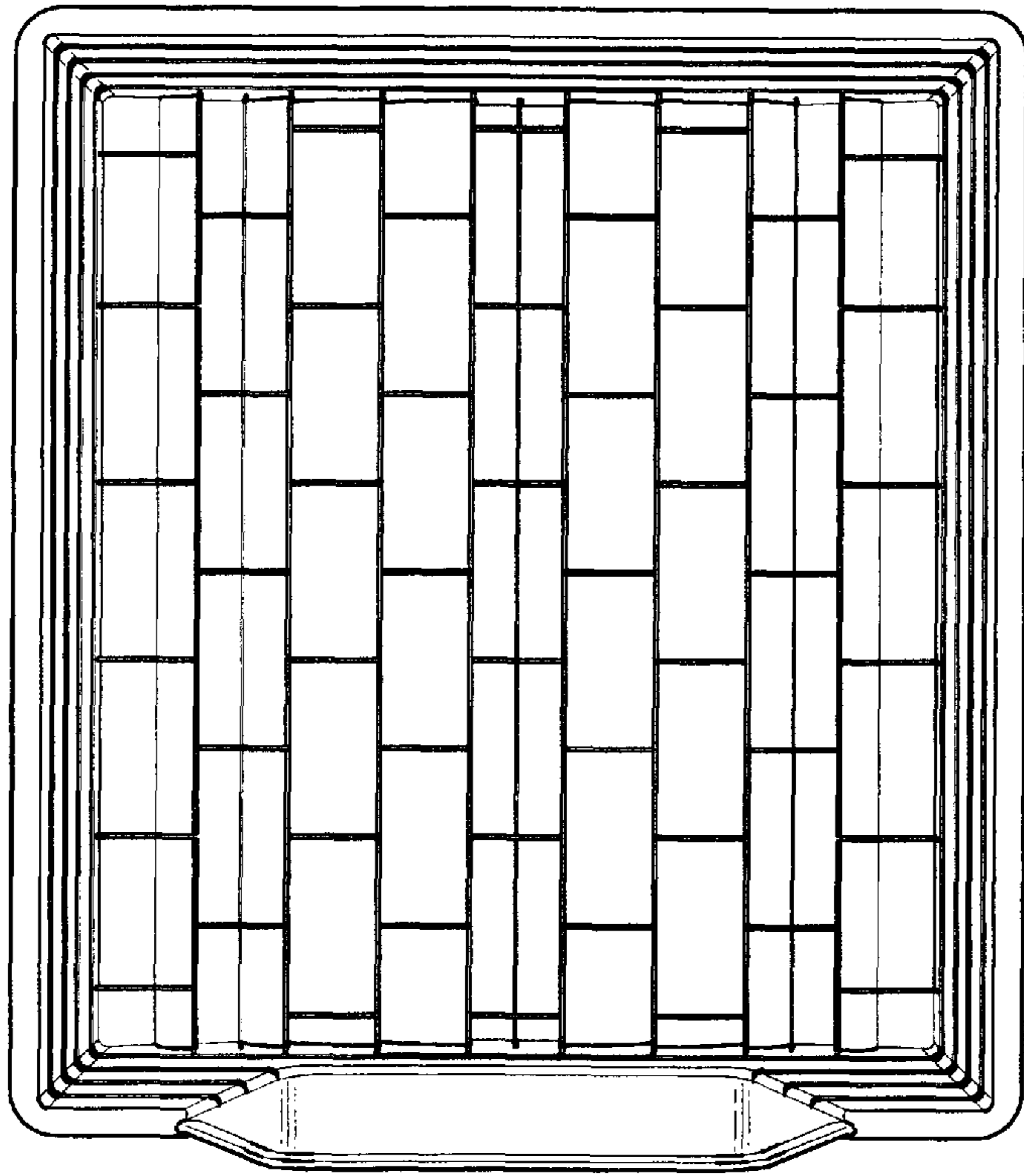


FIG. 5

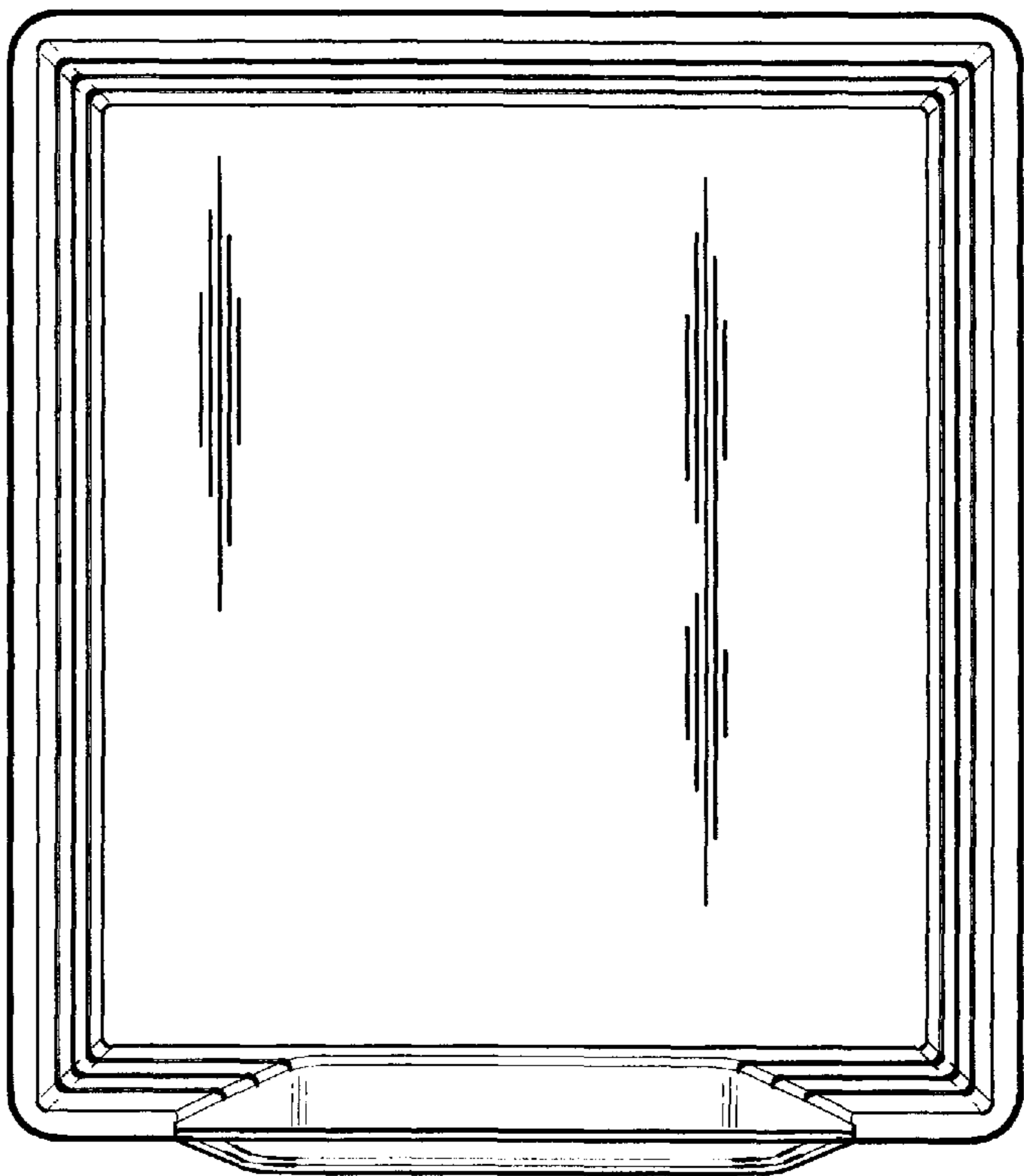


FIG. 6