



US00D488263S

(12) **United States Design Patent**  
**Thorpe et al.**

(10) **Patent No.:** **US D488,263 S**

(45) **Date of Patent:** **\*\* \*Apr. 6, 2004**

(54) **SQUARE-EDGED COSMETIC CONTAINER WITH SLIDABLE MIRROR**

(75) Inventors: **Timothy Thorpe**, Chislehurst (GB);  
**Jack Rodriguez**, Bernardsville, NJ (US)

(73) Assignee: **HCT Limited**, Hong Kong (CN)

(\* ) Notice: This patent is subject to a terminal disclaimer.

(\*\*) Term: **14 Years**

(21) Appl. No.: **29/180,293**

(22) Filed: **Apr. 22, 2003**

(51) **LOC (7) Cl.** ..... **28-03**

(52) **U.S. Cl.** ..... **D28/83**

(58) **Field of Search** ..... D28/73, 76, 78-84;  
256/581, 823; 132/293-307; 220/DIG. 26

(56) **References Cited**

**U.S. PATENT DOCUMENTS**

1,818,351	A	*	8/1931	Poranski	.....	132/298
2,010,521	A	*	8/1935	Kreisler	.....	132/301
2,205,974	A		6/1940	Kramer	.....	88/97
2,441,303	A		5/1948	Wesson et al.	.....	132/79.8
2,582,593	A		1/1952	Kramer	.....	88/92
2,771,083	A		11/1956	Darvie	.....	132/79
2,783,764	A		3/1957	Loy	.....	132/83
4,744,376	A	*	5/1988	Verducci	.....	132/297
D347,089	S	*	5/1994	Byars et al.	.....	D28/83
5,398,706	A		3/1995	Epstein	.....	132/294
6,095,334	A		8/2000	Belveal et al.	.....	206/581

\* cited by examiner

*Primary Examiner*—Jennifer Rivard  
(74) *Attorney, Agent, or Firm*—Norris, McLaughlin & Marcus

(57) **CLAIM**

The ornamental design for a square-edged cosmetic container with slidably mirror, as shown and described.

**DESCRIPTION**

FIG. 1 is a top perspective view showing my new design with its cover in a closed position and its slidably mirror in a concealed position;

FIG. 2 is a top perspective view showing my new design with the cover in its open position and the mirror in its exposed position;

FIG. 3 is a top plan view showing the cover in its closed position and the mirror in its concealed position;

FIG. 4 is a front end elevational view showing the cover in its closed position and the mirror in its concealed position;

FIG. 5 is a right side elevational view showing the cover in its closed position and the mirror in its concealed position;

FIG. 6 is a back end elevational view showing the cover in its closed position and the mirror in its concealed position;

FIG. 7 is a left side elevational view showing the cover in its closed position; and,

FIG. 8 is a bottom plan view showing the cover in its closed position and the mirror in its concealed position.

“The broken line showing of an applicator brush in FIG. 2 is for illustrative purposes only and forms no part of the claimed design.”

**1 Claim, 3 Drawing Sheets**

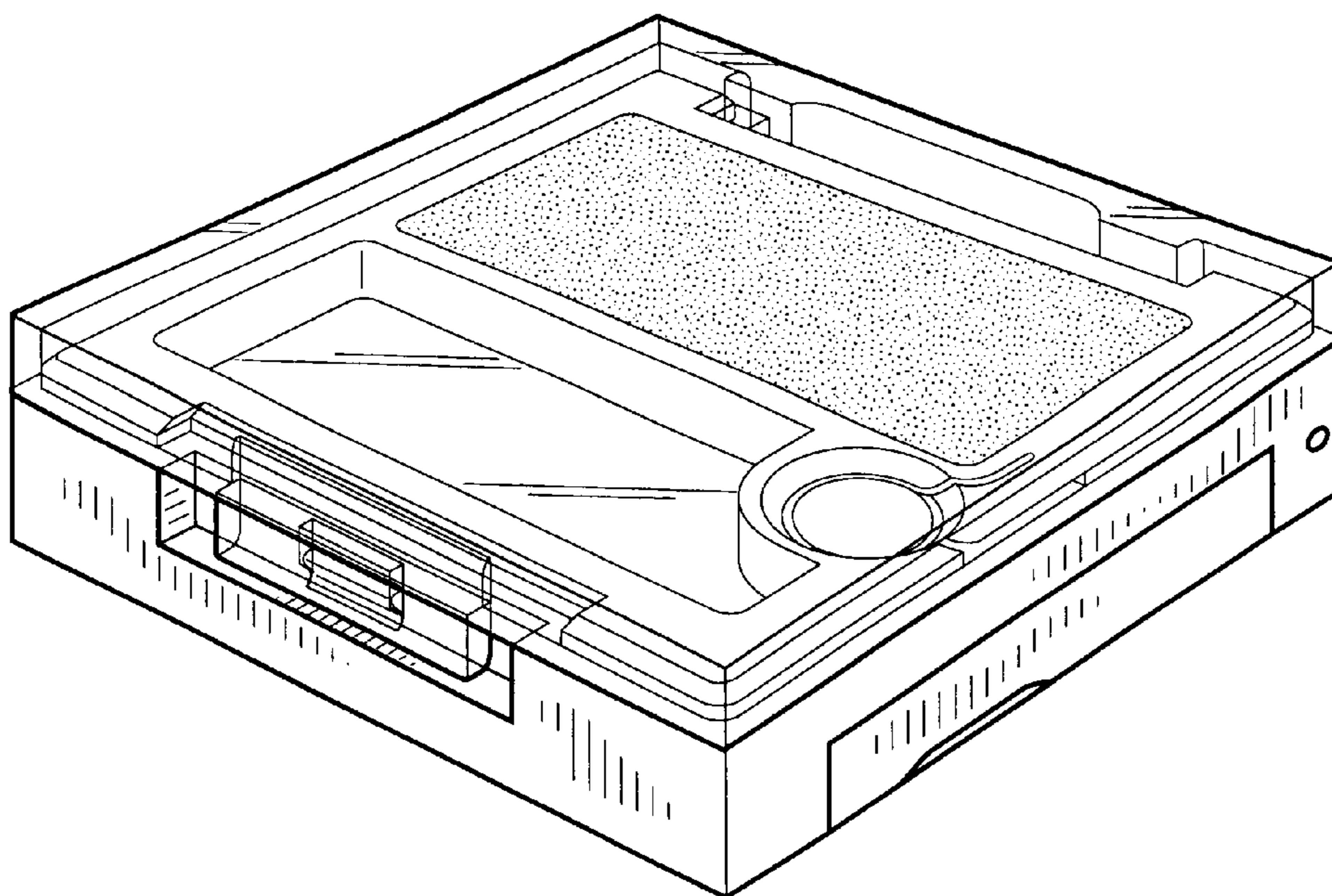


FIG. 1

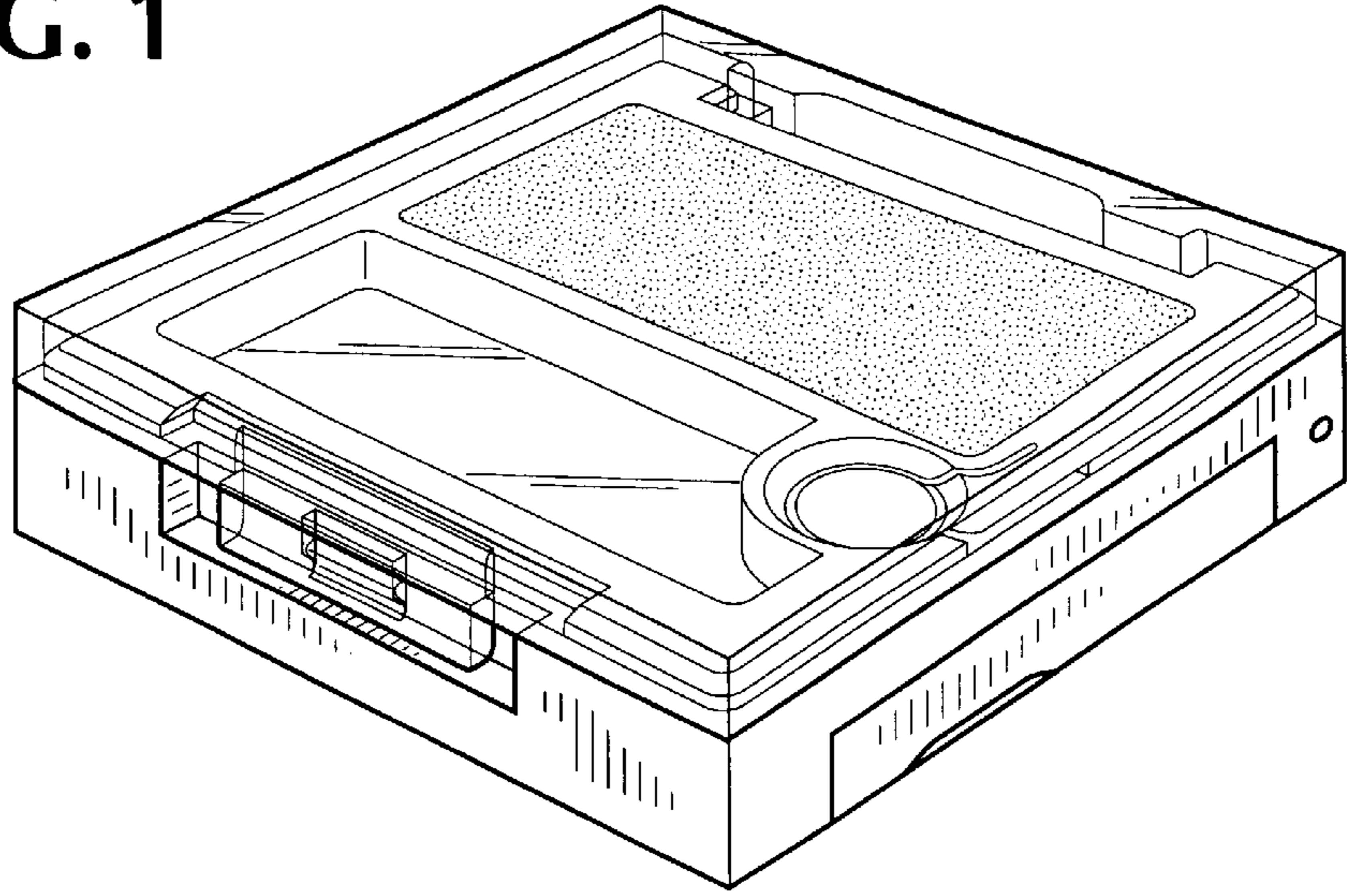
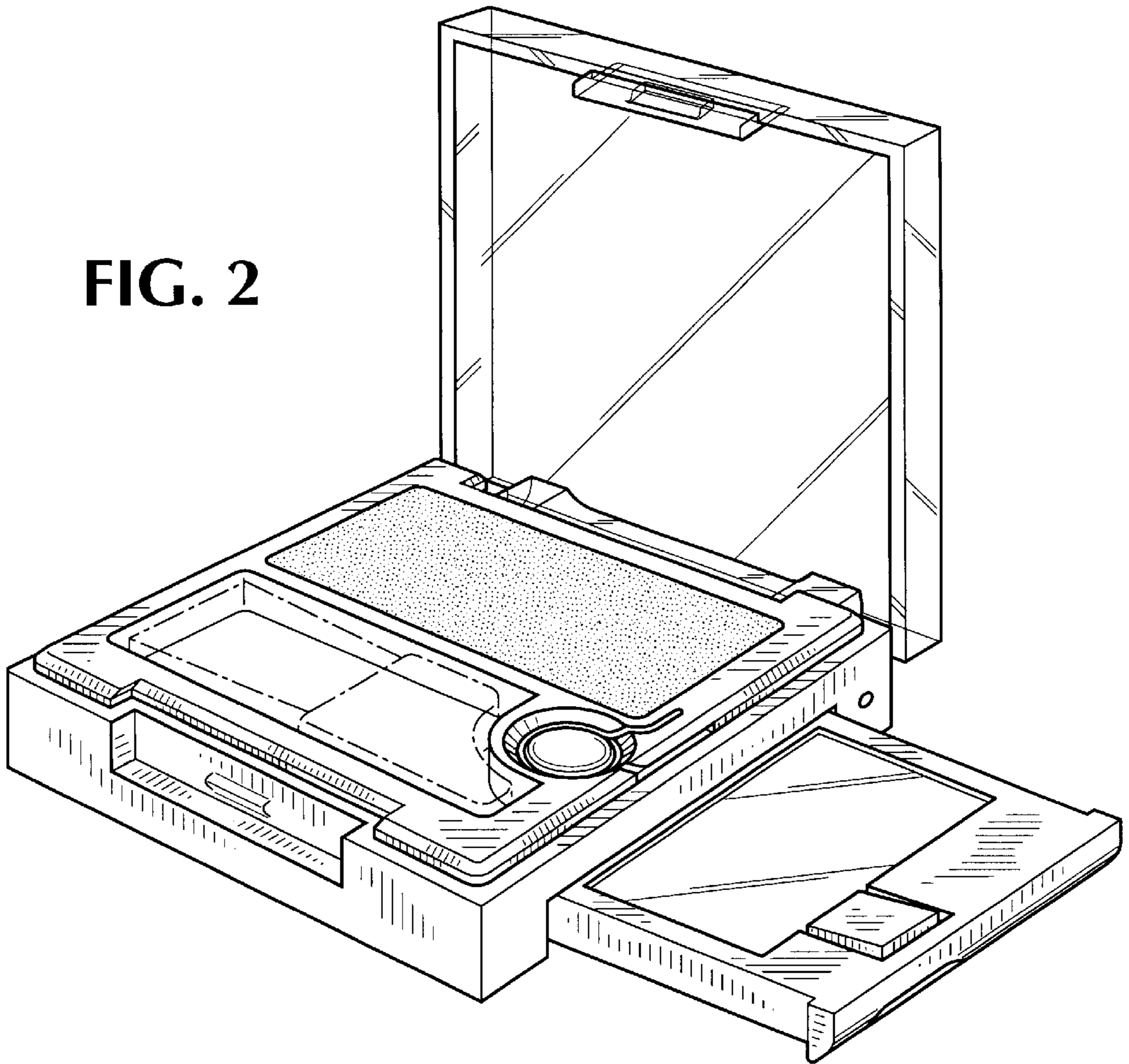
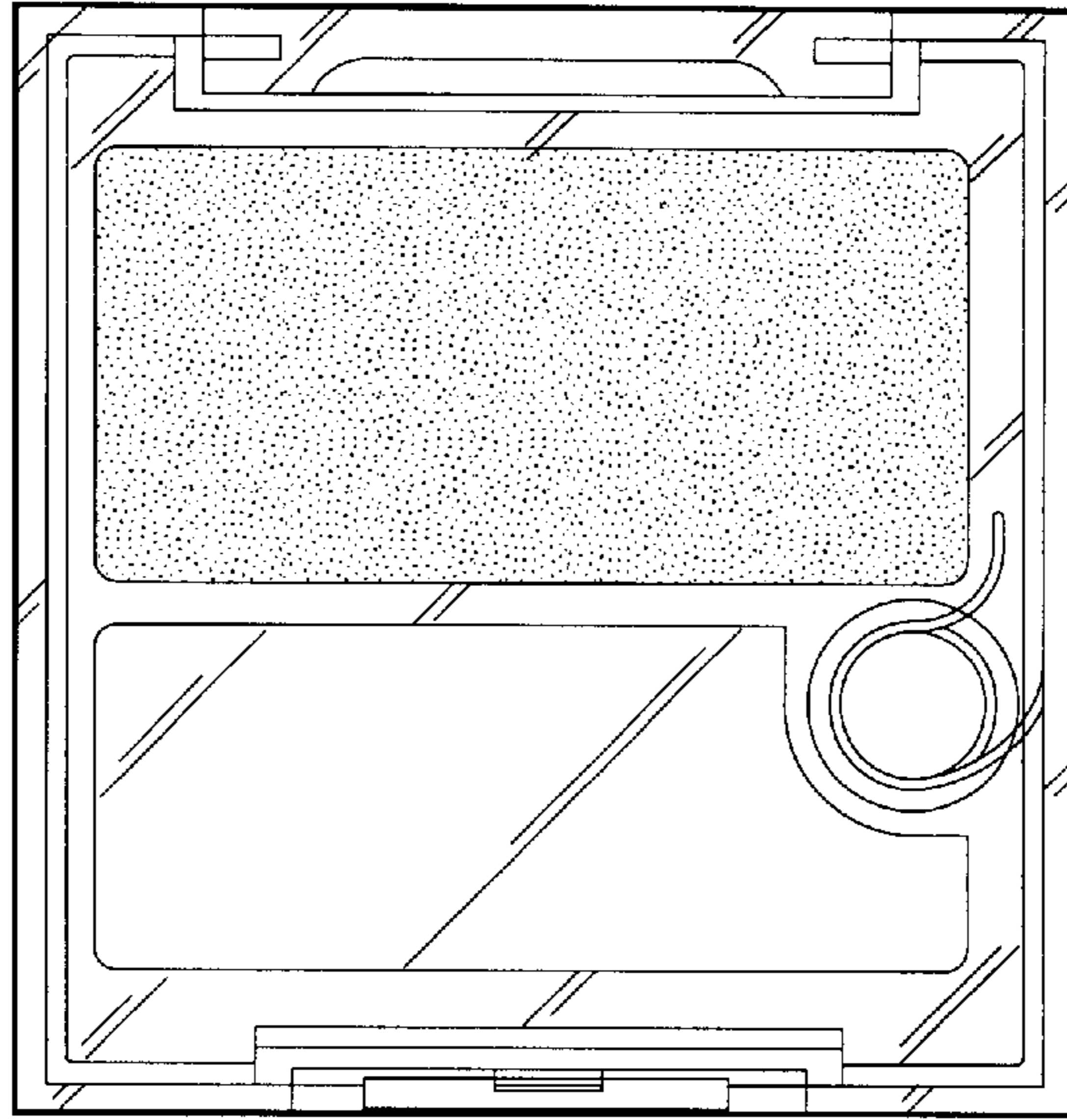


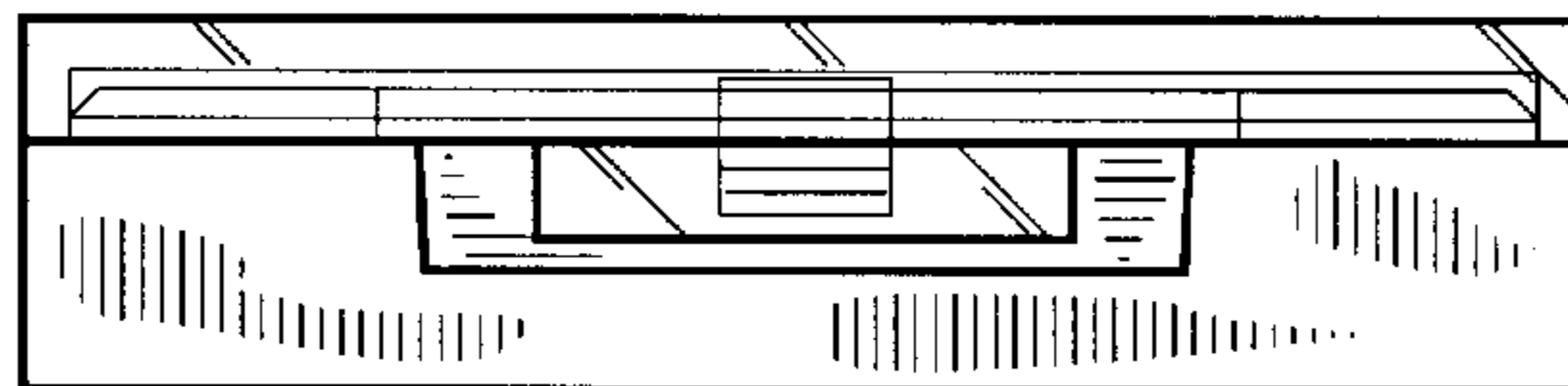
FIG. 2



**FIG. 3**



**FIG. 4**



**FIG. 5**



FIG. 6

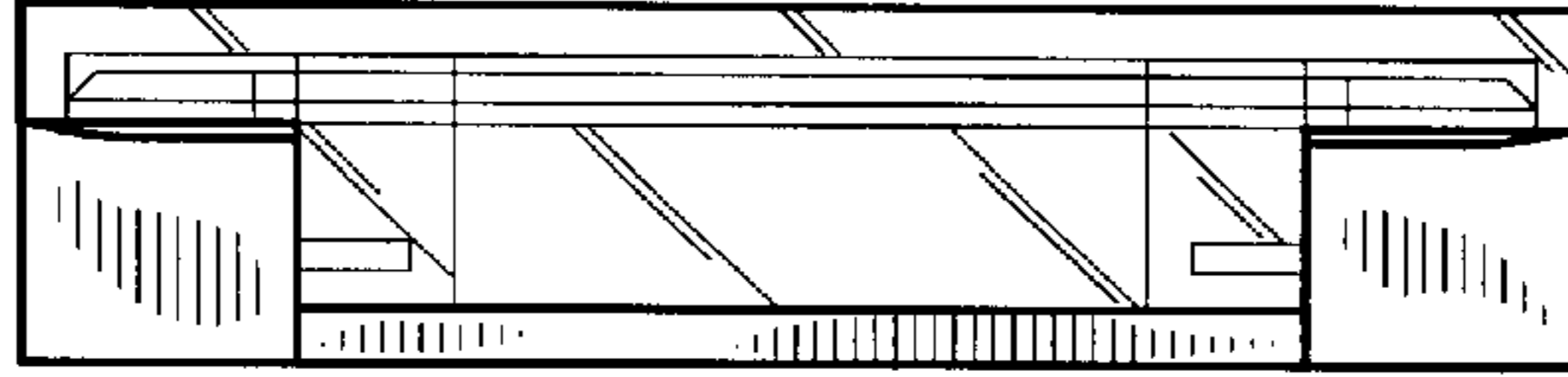


FIG. 7

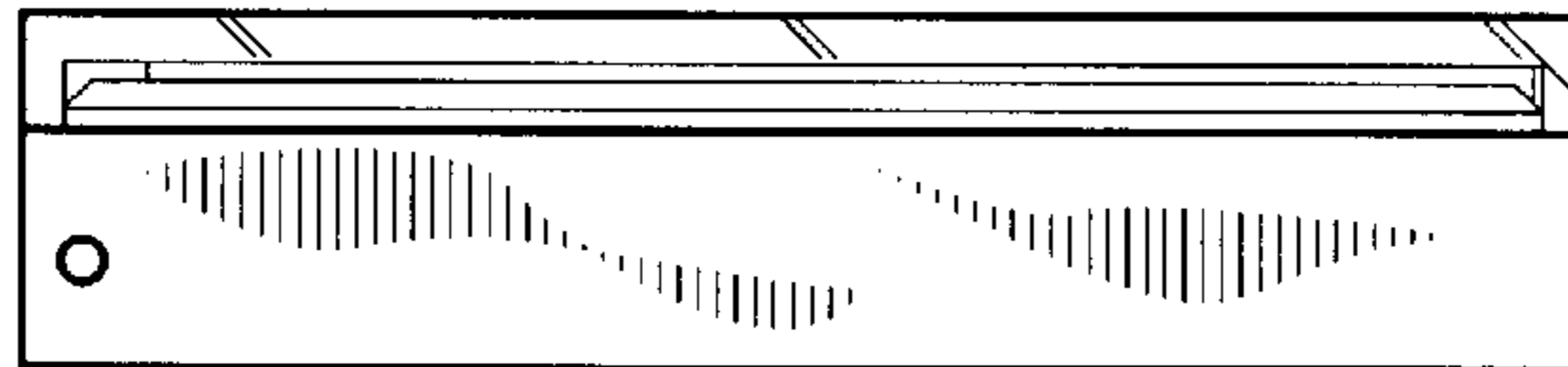


FIG. 8

