



US00D488255S

(12) **United States Design Patent**
Tsai

(10) **Patent No.:** **US D488,255 S**

(45) **Date of Patent:** **** Apr. 6, 2004**

(54) **ORNAMENTAL FRAME FOR A VEHICLE LIGHT**

Primary Examiner—Marcus A. Jackson
(74) *Attorney, Agent, or Firm*—Alan D. Kamrath; Rider Bennett, LLP

(76) **Inventor:** **Ping-Chung Tsai**, 11F, No. 328-10, Chinhu Rd., Neihu Dist., Taipei (TW)

(57) **CLAIM**

(**) **Term:** **14 Years**

The ornamental design for an ornamental frame for a vehicle light, as shown.

(21) **Appl. No.:** **29/181,692**

(22) **Filed:** **May 14, 2003**

DESCRIPTION

(51) **LOC (7) Cl.** **26-99**

FIG. 1 is a perspective view of an ornamental frame for a vehicle light, showing my new design;

(52) **U.S. Cl.** **D26/139**

FIG. 2 is a front elevational view thereof;

(58) **Field of Search** D26/28-36, 139; D12/114; 362/61, 70, 71, 72, 80, 82, 83, 329-340, 354, 359

FIG. 3 is a rear elevational view thereof;

FIG. 4 is a left elevational view thereof,

FIG. 5 is a right elevational view thereof;

FIG. 6 is a top plan view thereof; and,

FIG. 7 is a bottom plan view thereof.

(56) **References Cited**

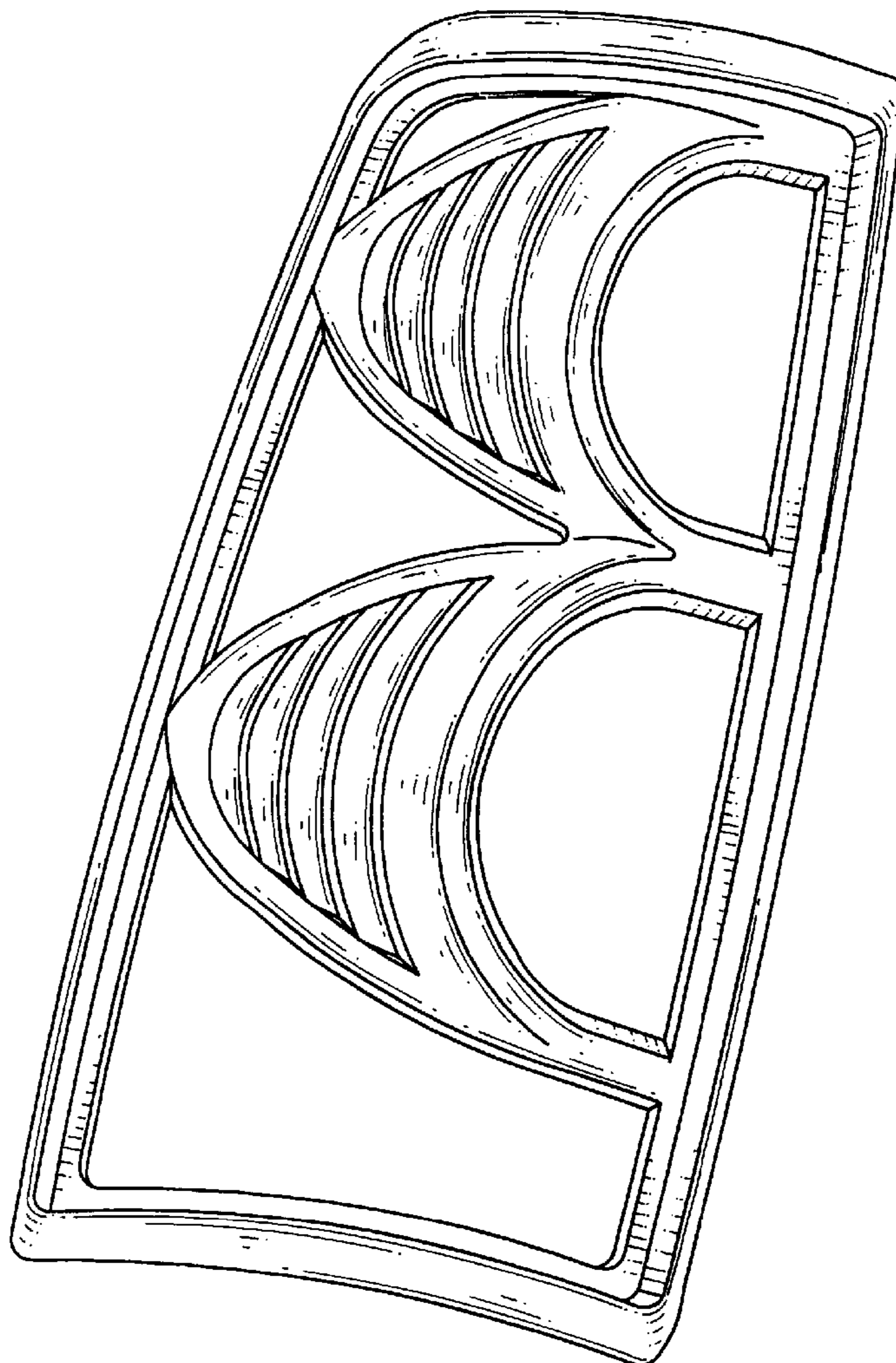
U.S. PATENT DOCUMENTS

D387,471 S * 12/1997 Alger D26/139

D403,803 S * 1/1999 Alger D26/139

* cited by examiner

1 Claim, 4 Drawing Sheets



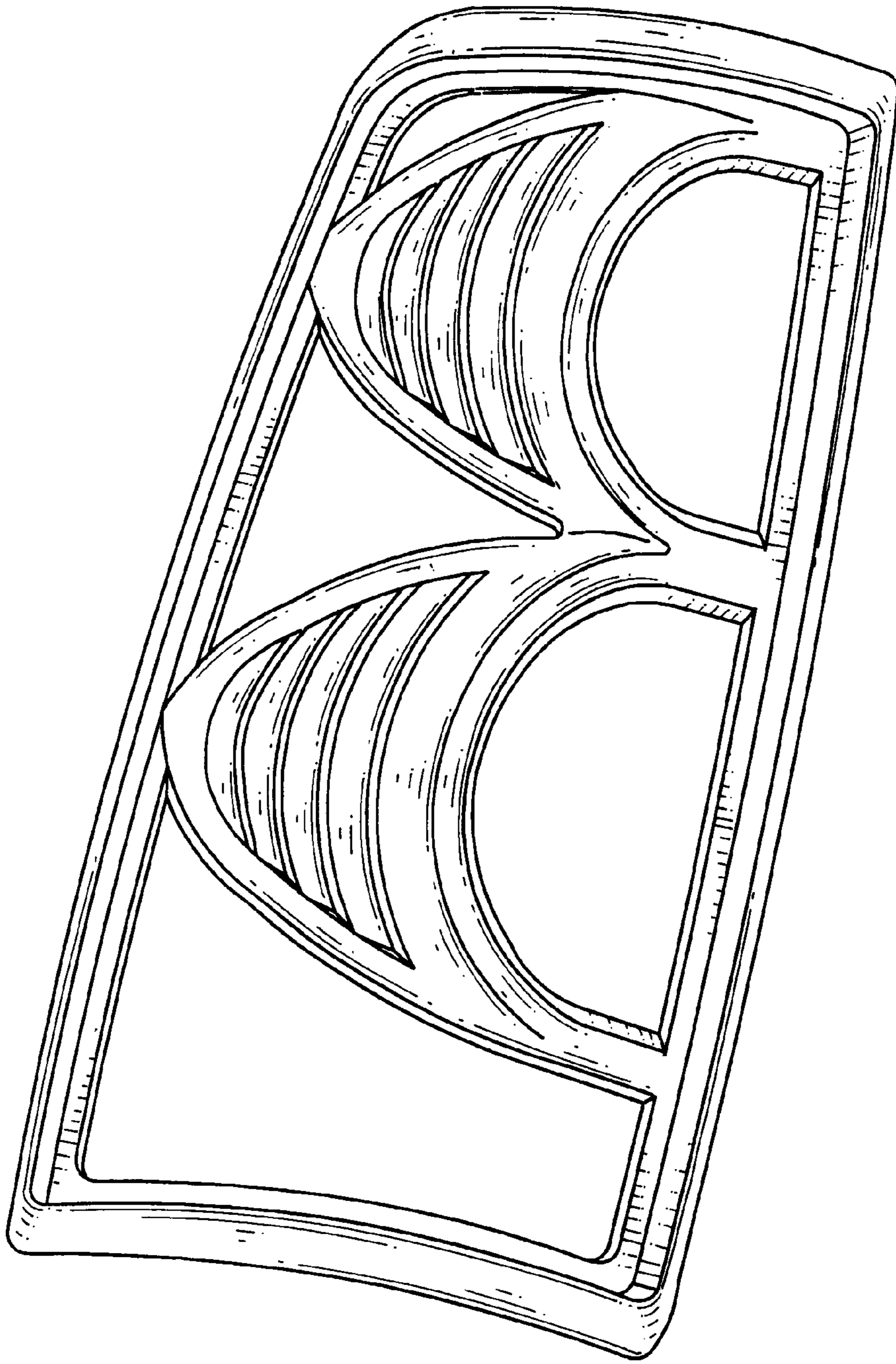


FIG.1

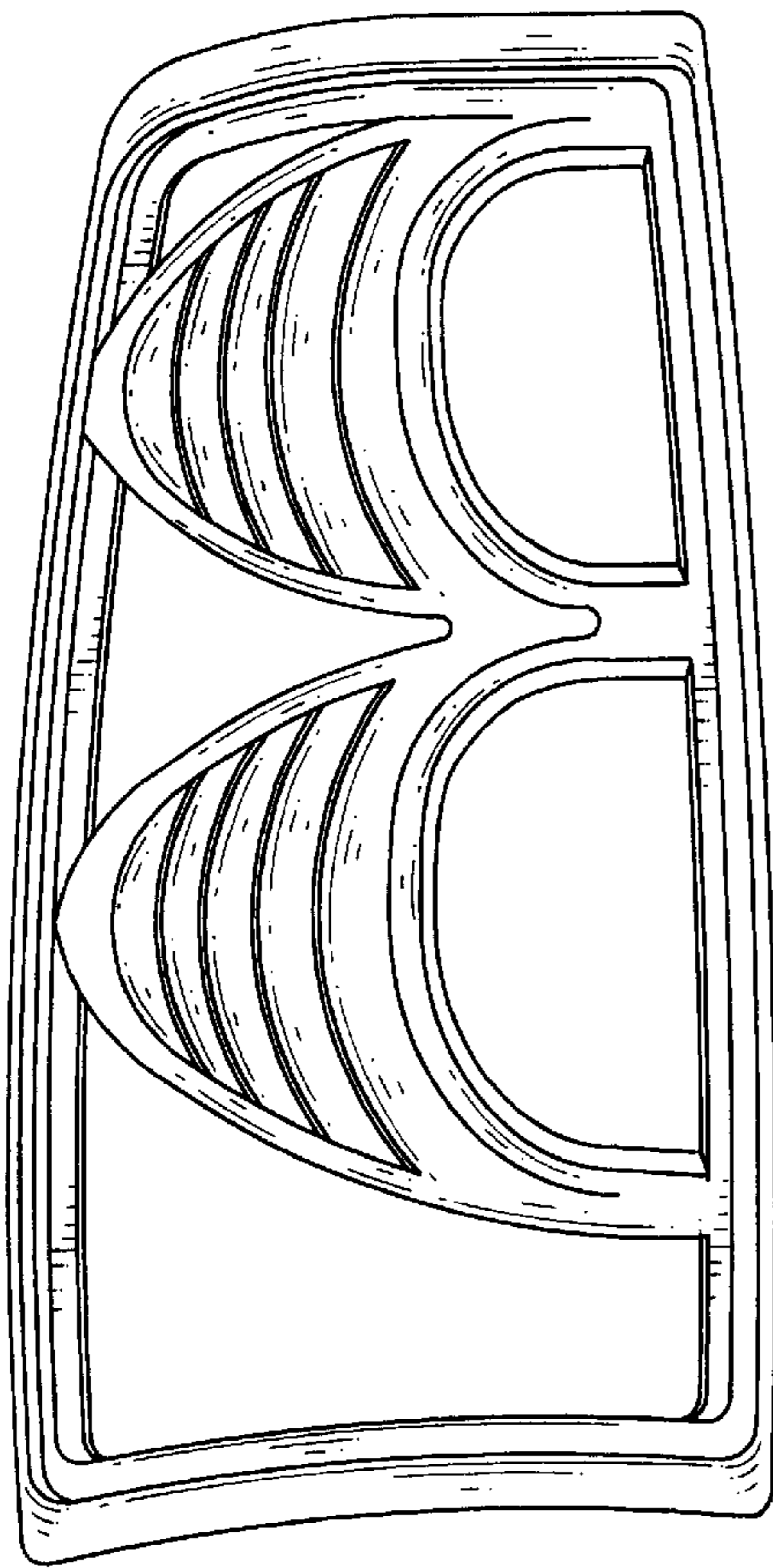


FIG. 2

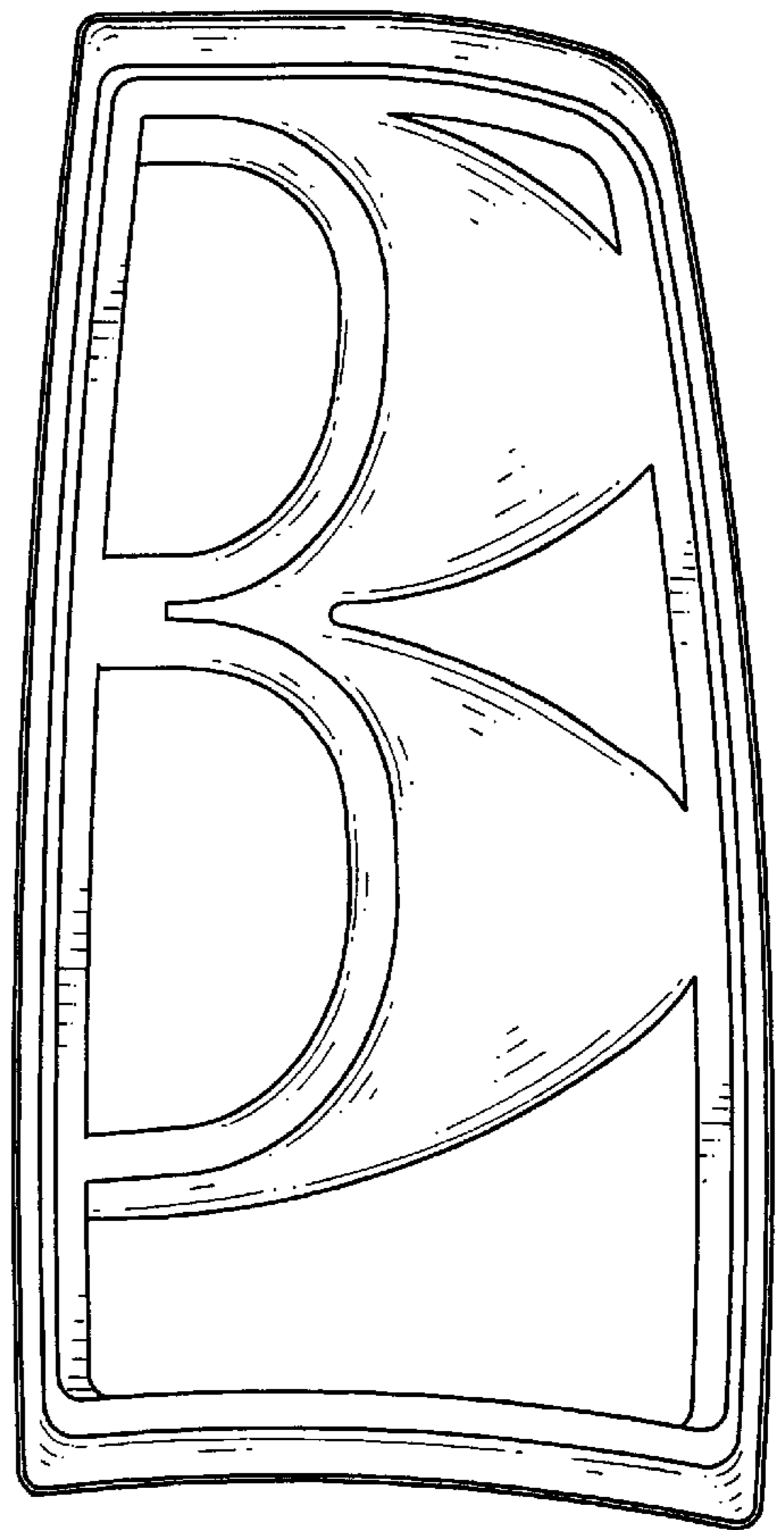


FIG. 3

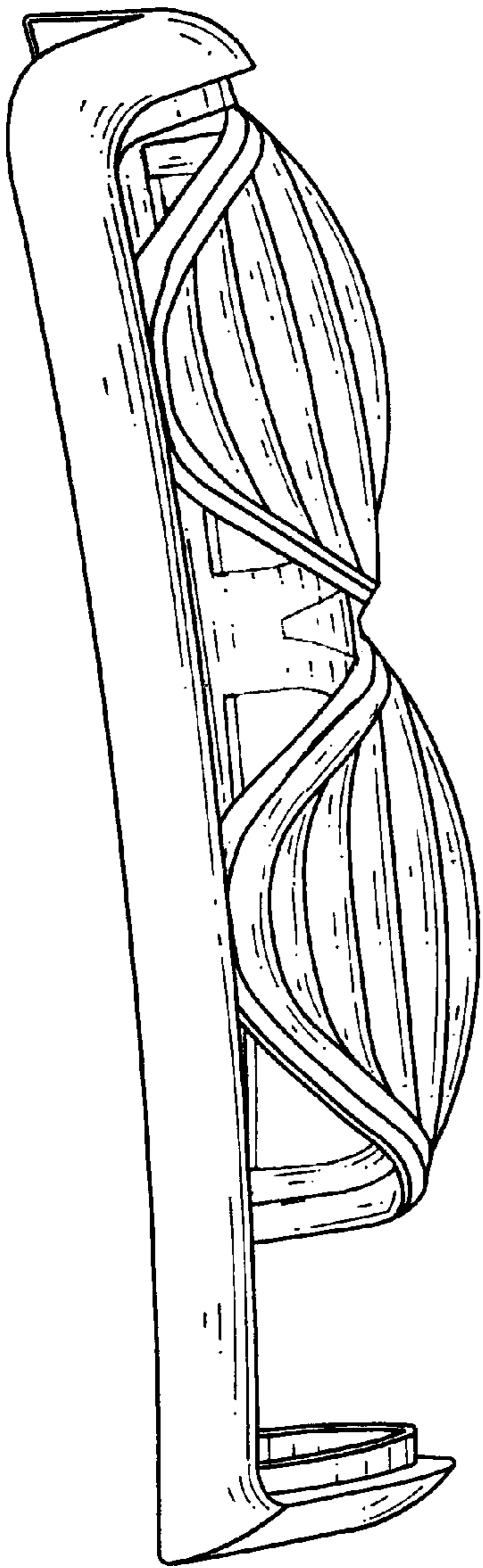


FIG.4

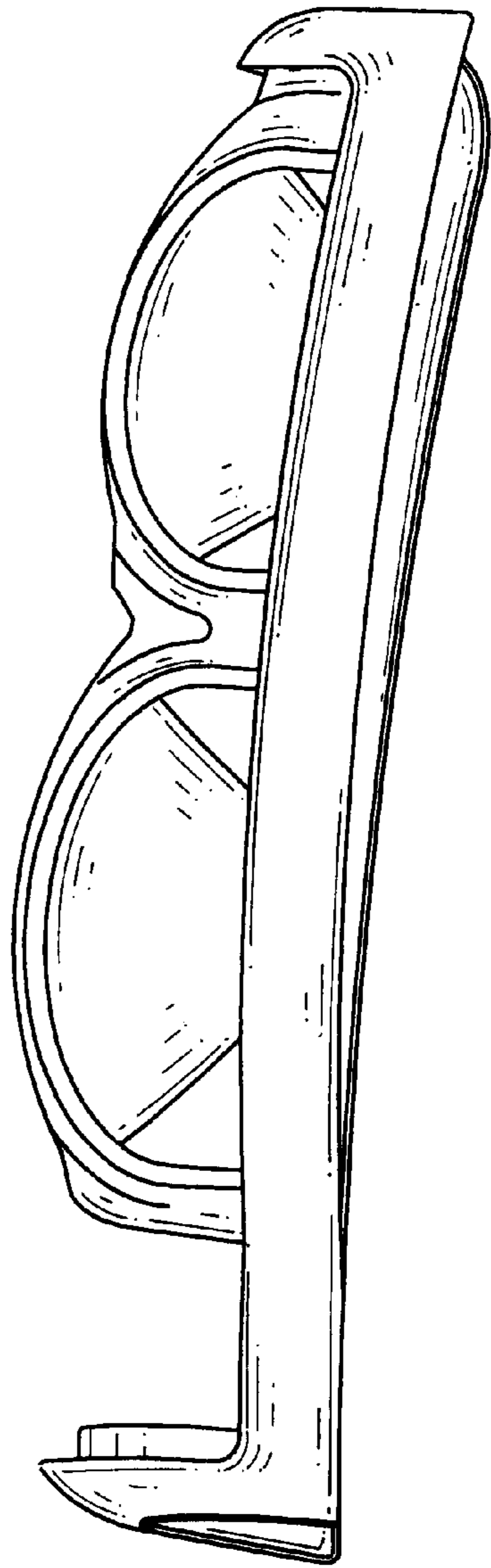


FIG.5



FIG. 6

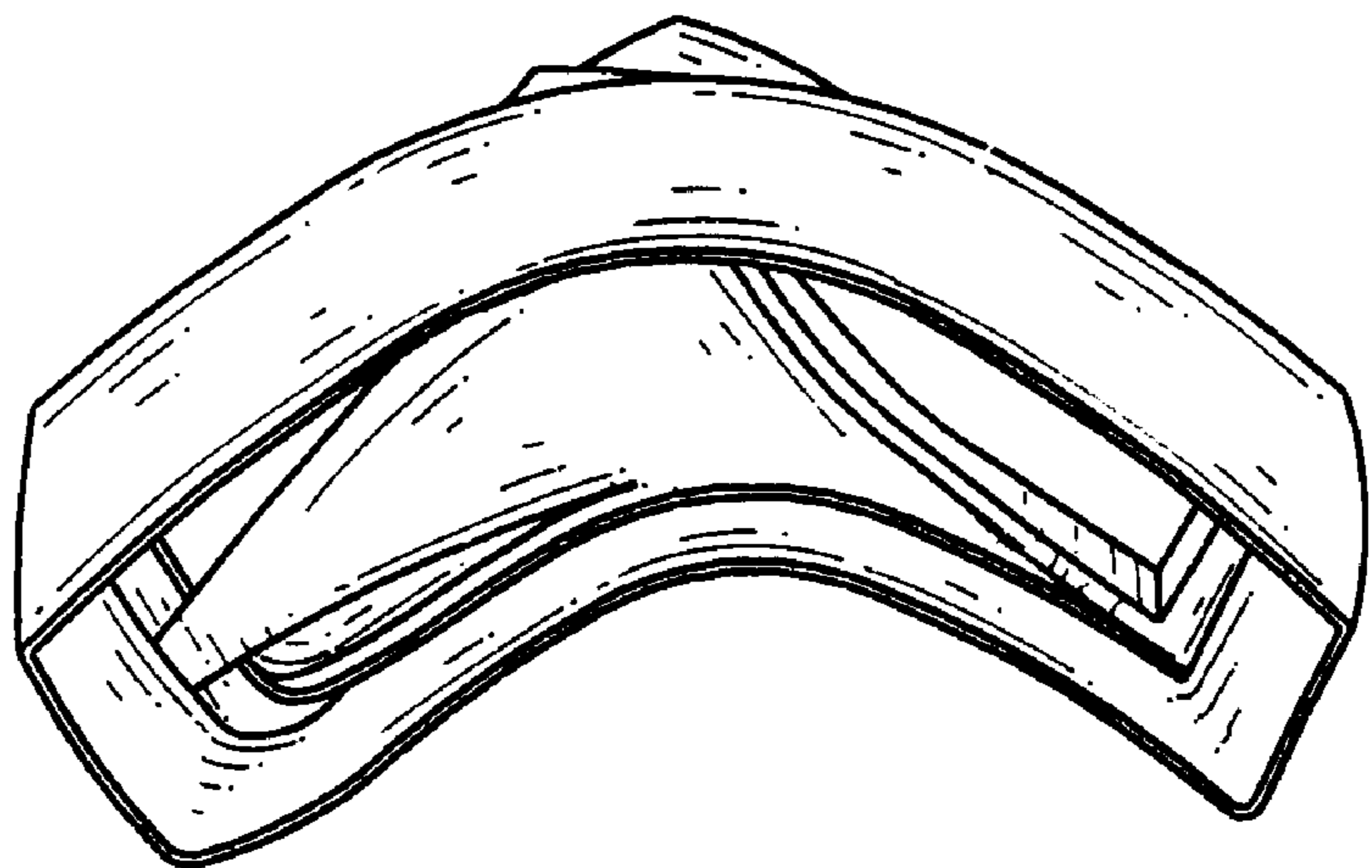


FIG. 7