



US00D488253S

(12) **United States Design Patent**
Chen

(10) **Patent No.:** **US D488,253 S**

(45) **Date of Patent:** **** Apr. 6, 2004**

(54) **LAMPSHADE**

(76) Inventor: **Meiric Chen**, 235 Chung-Ho Box 8-24,
Taipei (TW)

(**) Term: **14 Years**

(21) Appl. No.: **29/178,789**

(22) Filed: **Mar. 31, 2003**

(51) **LOC (7) Cl.** **26-99**

(52) **U.S. Cl.** **D26/128**

(58) **Field of Search** D26/118, 61-66,
D26/87, 92, 128; 362/351, 355, 356, 357,
359, 360, 362, 418, 419

(56) **References Cited**

U.S. PATENT DOCUMENTS

5,590,957 A * 1/1997 Chen 362/419

D474,855 S * 5/2003 Huang D26/118

OTHER PUBLICATIONS

PT-27006, Taiwan Lighting, Aug. 1997.*

* cited by examiner

Primary Examiner—Jennifer Rivard

(57) **CLAIM**

The ornamental design for a lampshade, as shown and described.

DESCRIPTION

FIG. 1 is a perspective view of a lampshade showing my new design;

FIG. 2 is a front elevational view thereof;

FIG. 3 is a rear elevational view thereof;

FIG. 4 is a left side view thereof;

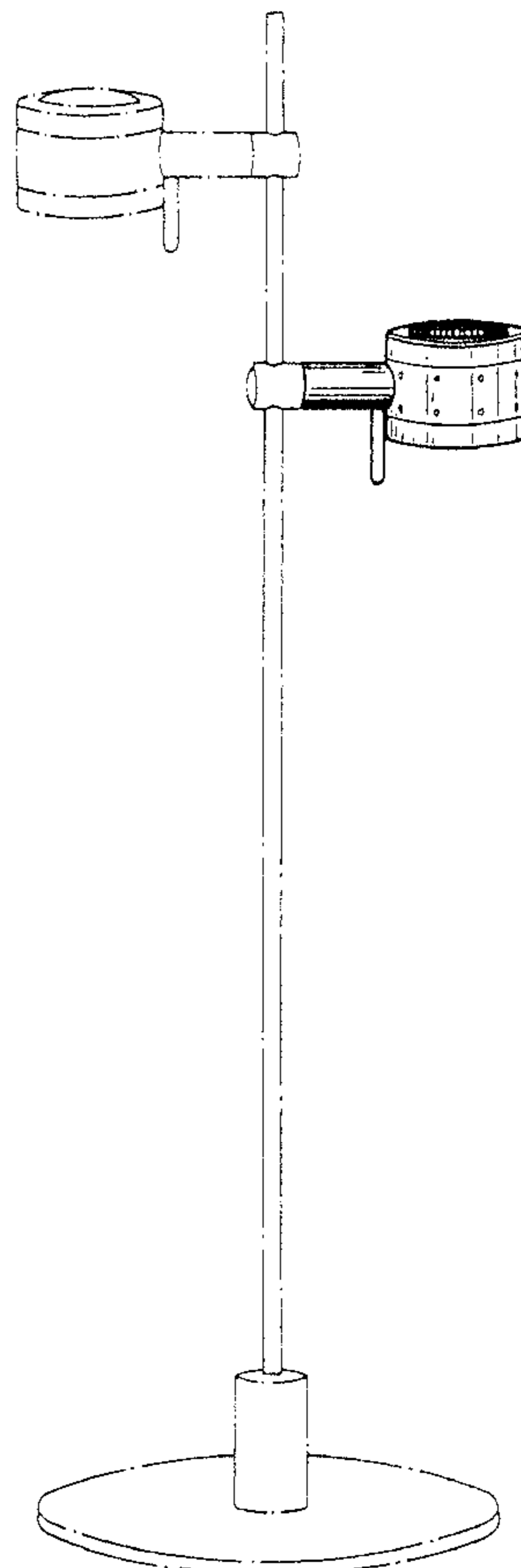
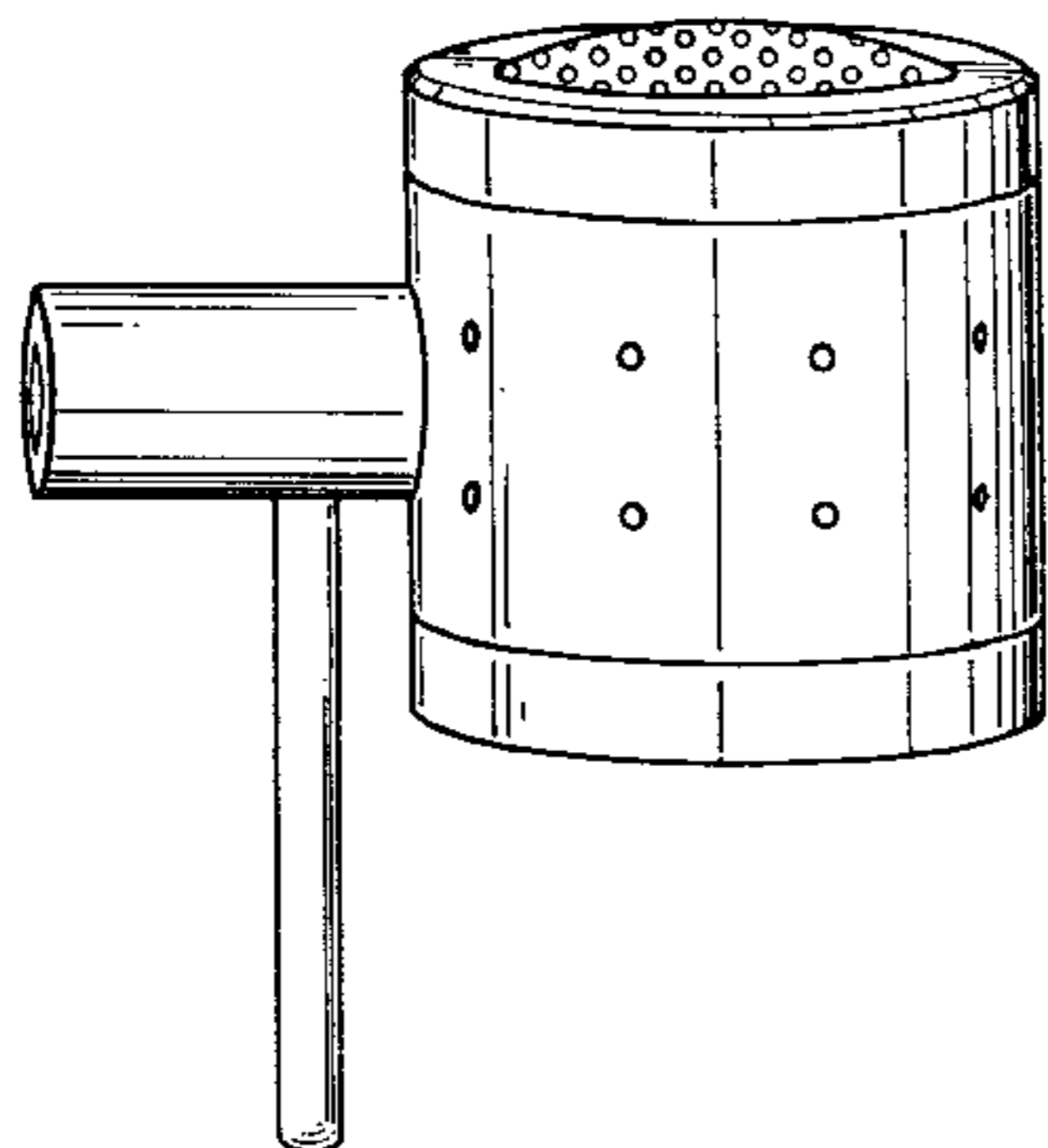
FIG. 5 is a right side view thereof;

FIG. 6 is a top plan view thereof; and

FIG. 7 is a bottom plan view thereof; and,

FIG. 8 is a perspective view of the lampshade, the broken line environmental showing of the floor lamp is for illustrative purpose only and forms no part of the claimed design.

1 Claim, 4 Drawing Sheets



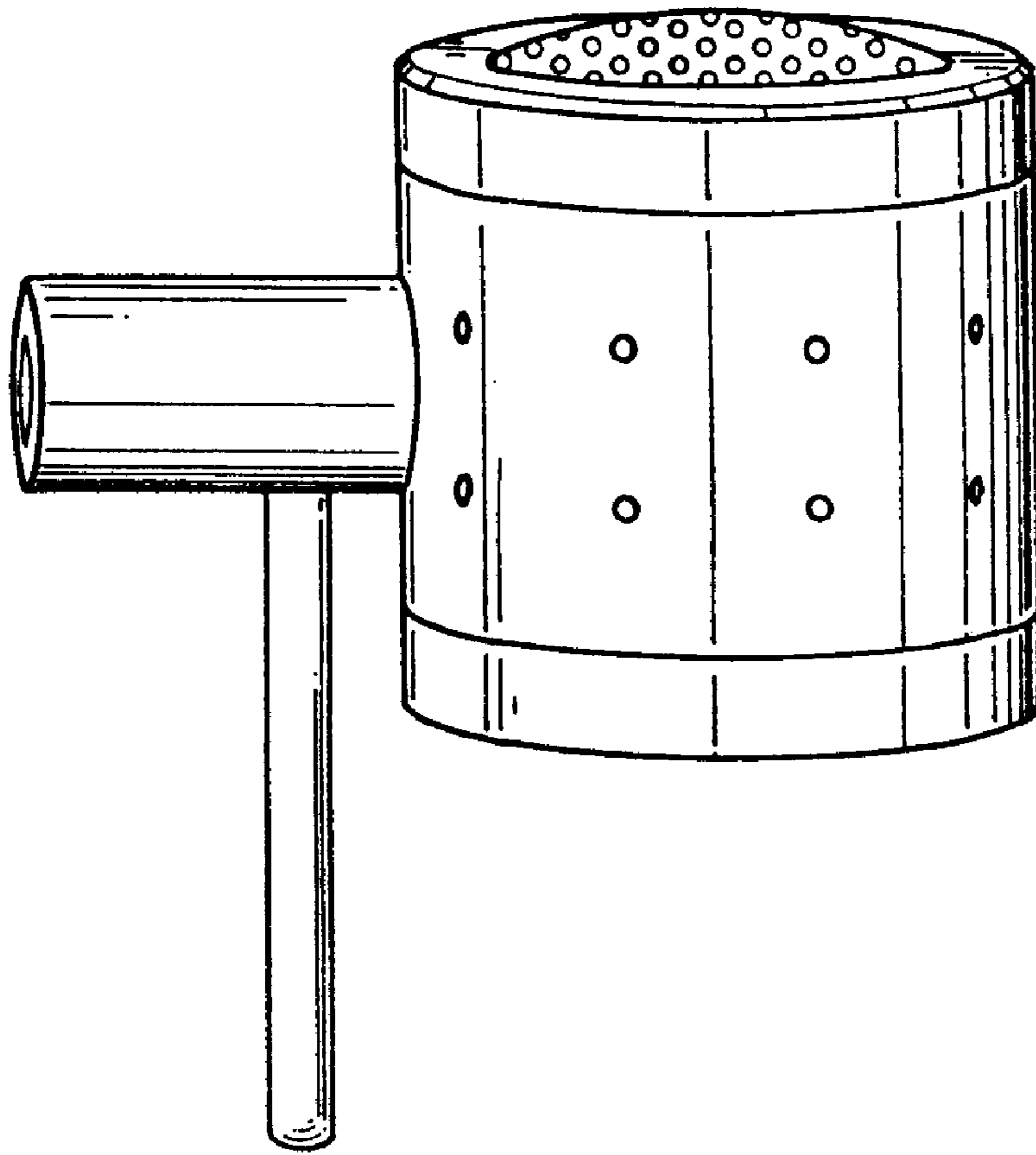


FIG. 1

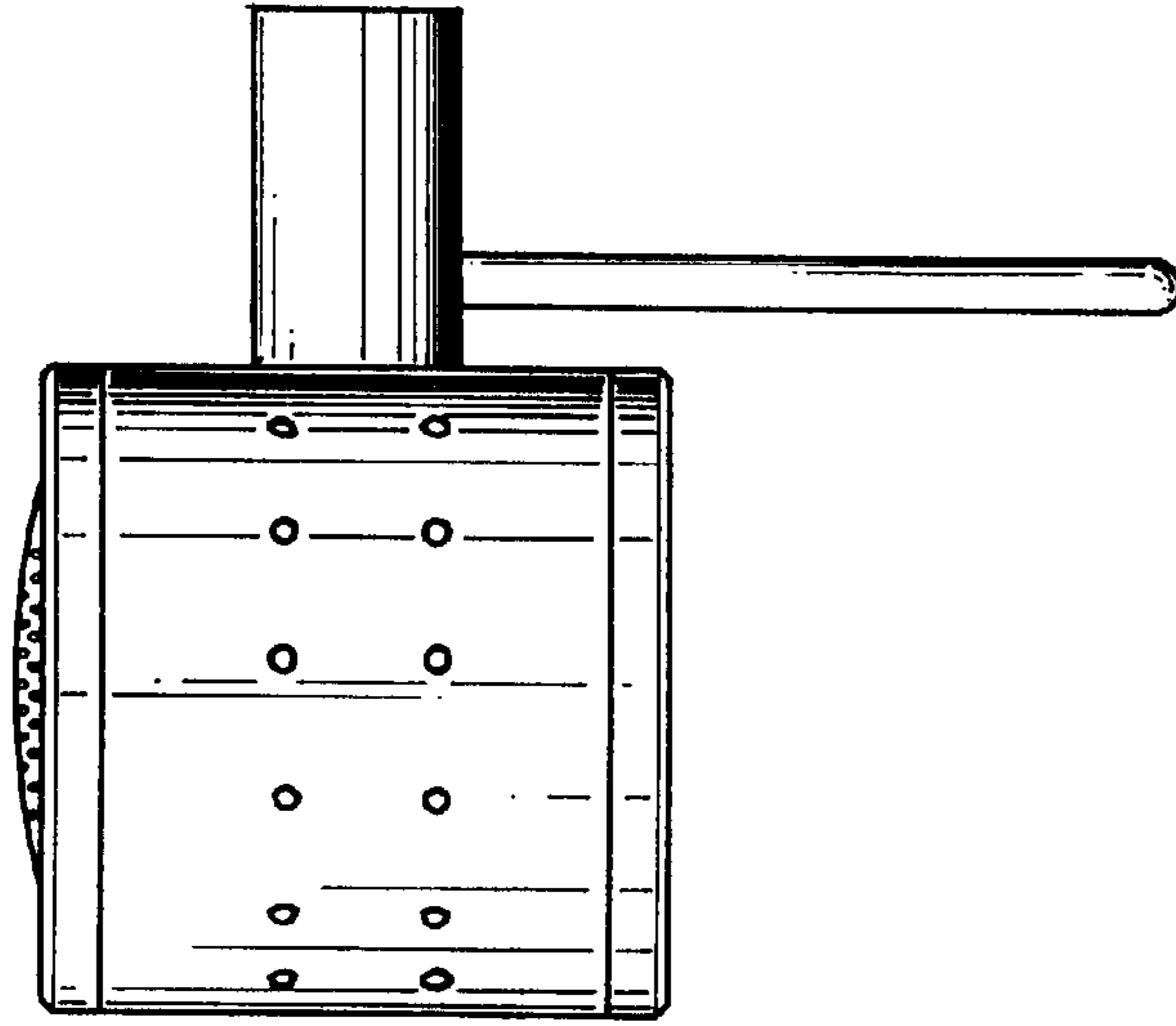


FIG. 3

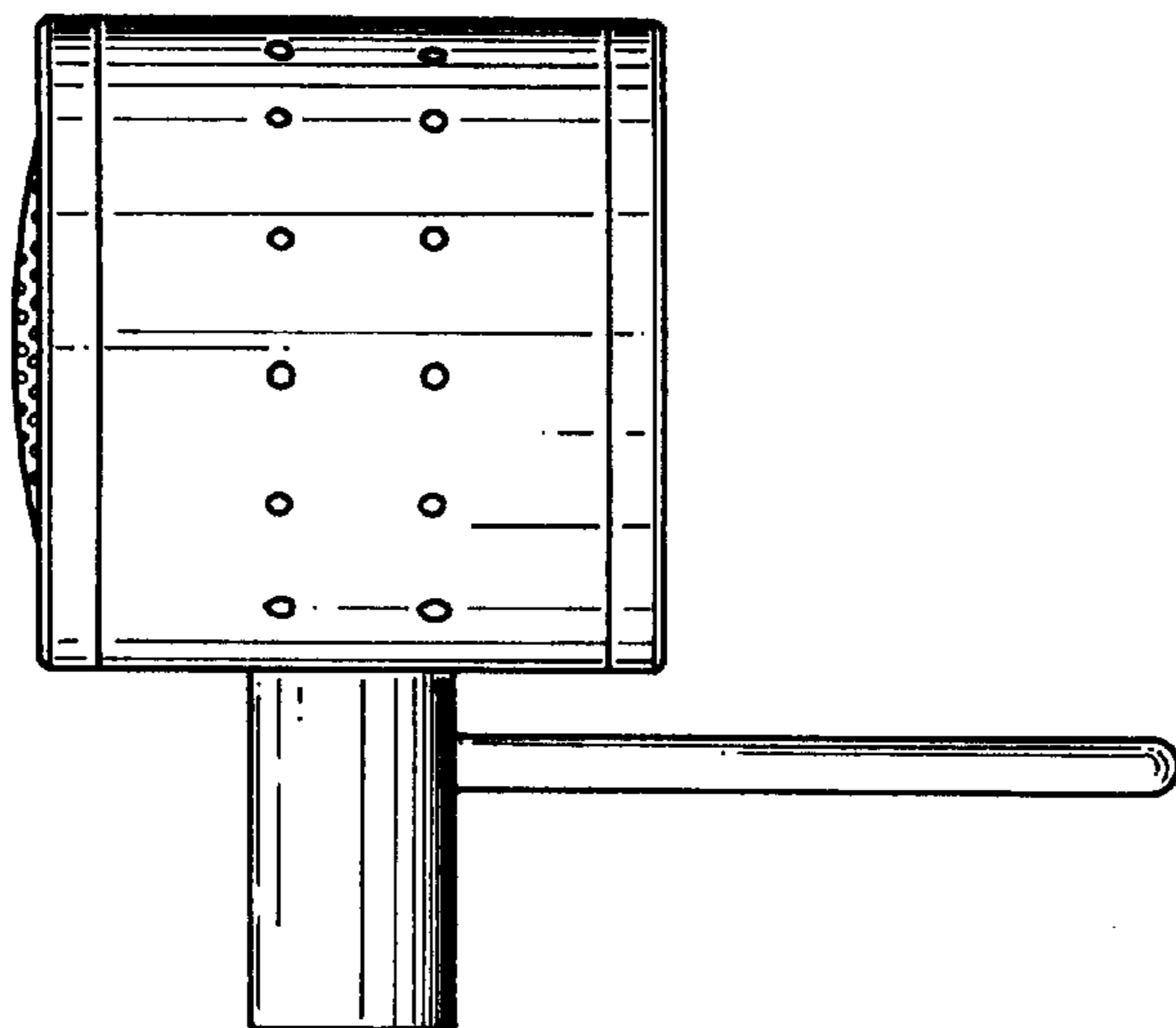


FIG. 2

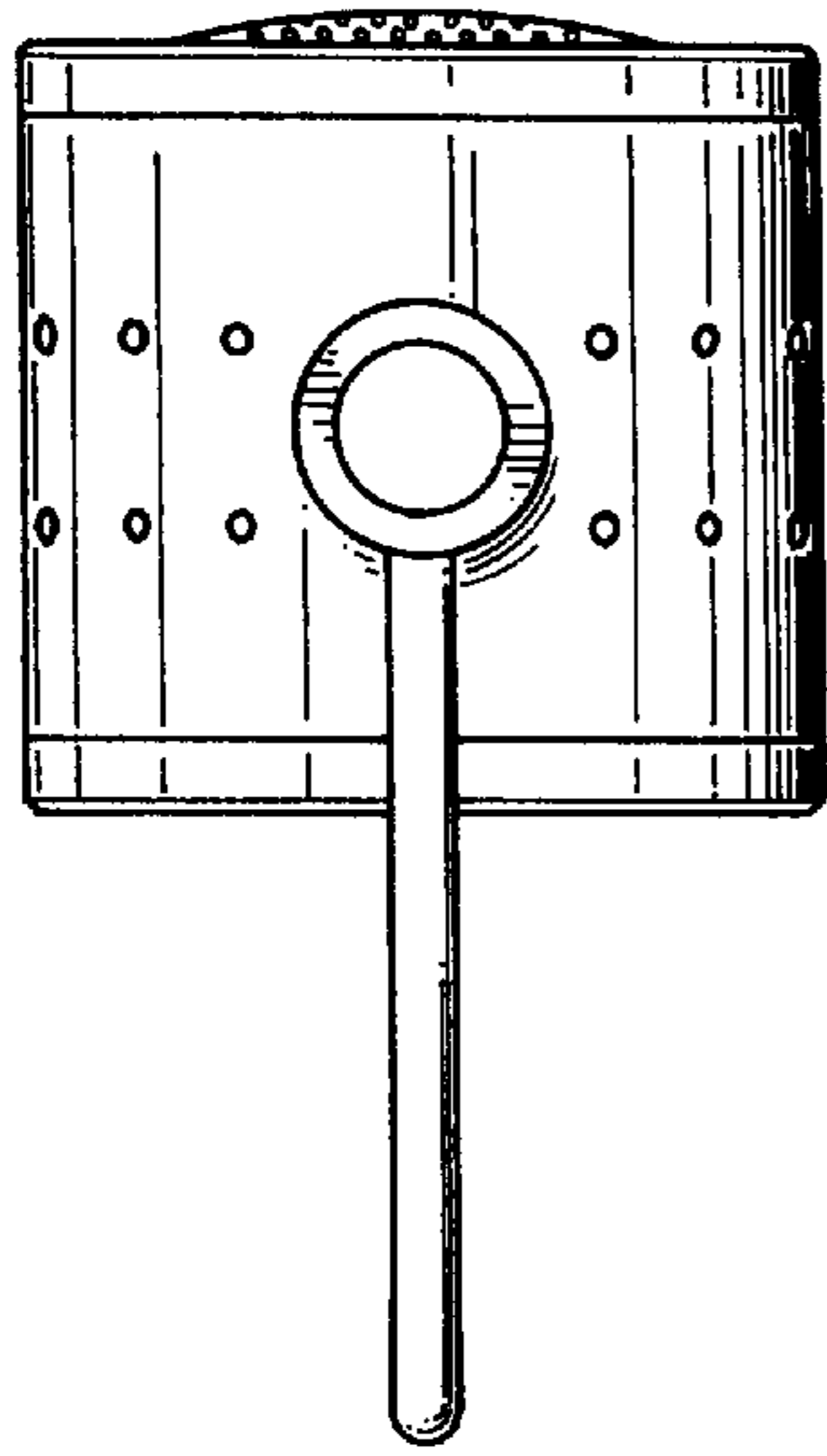


FIG. 4

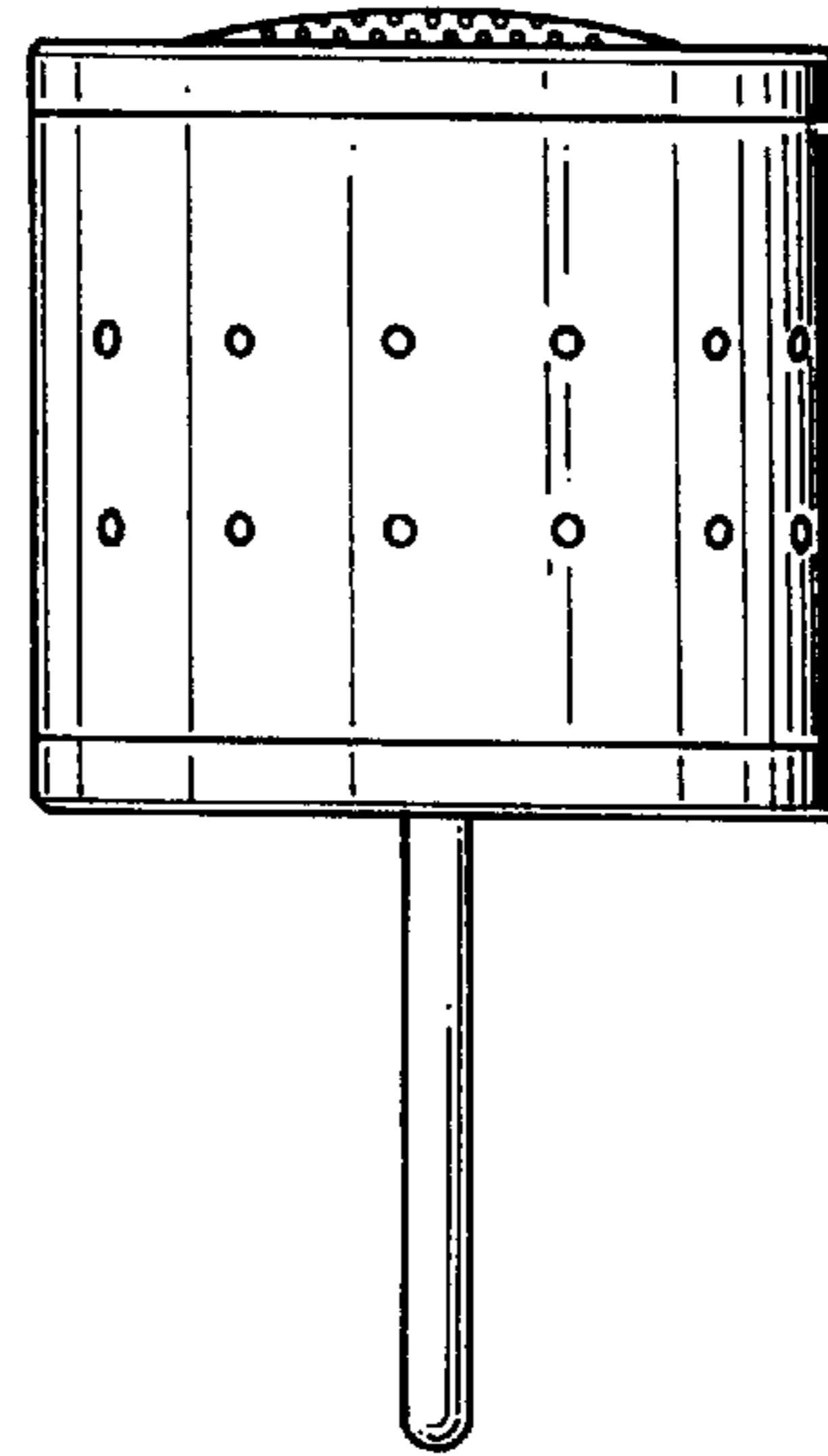


FIG. 5

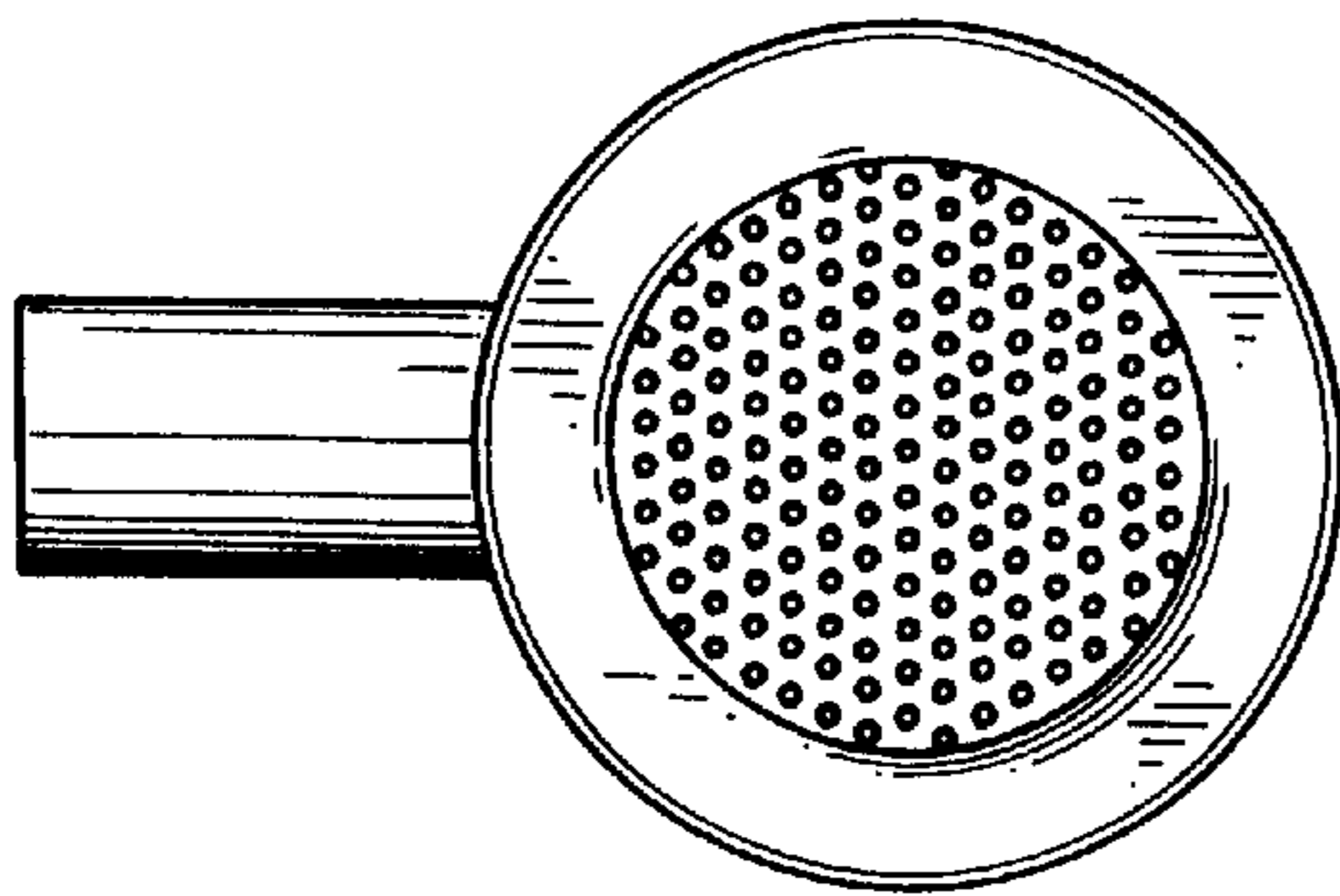


FIG. 6

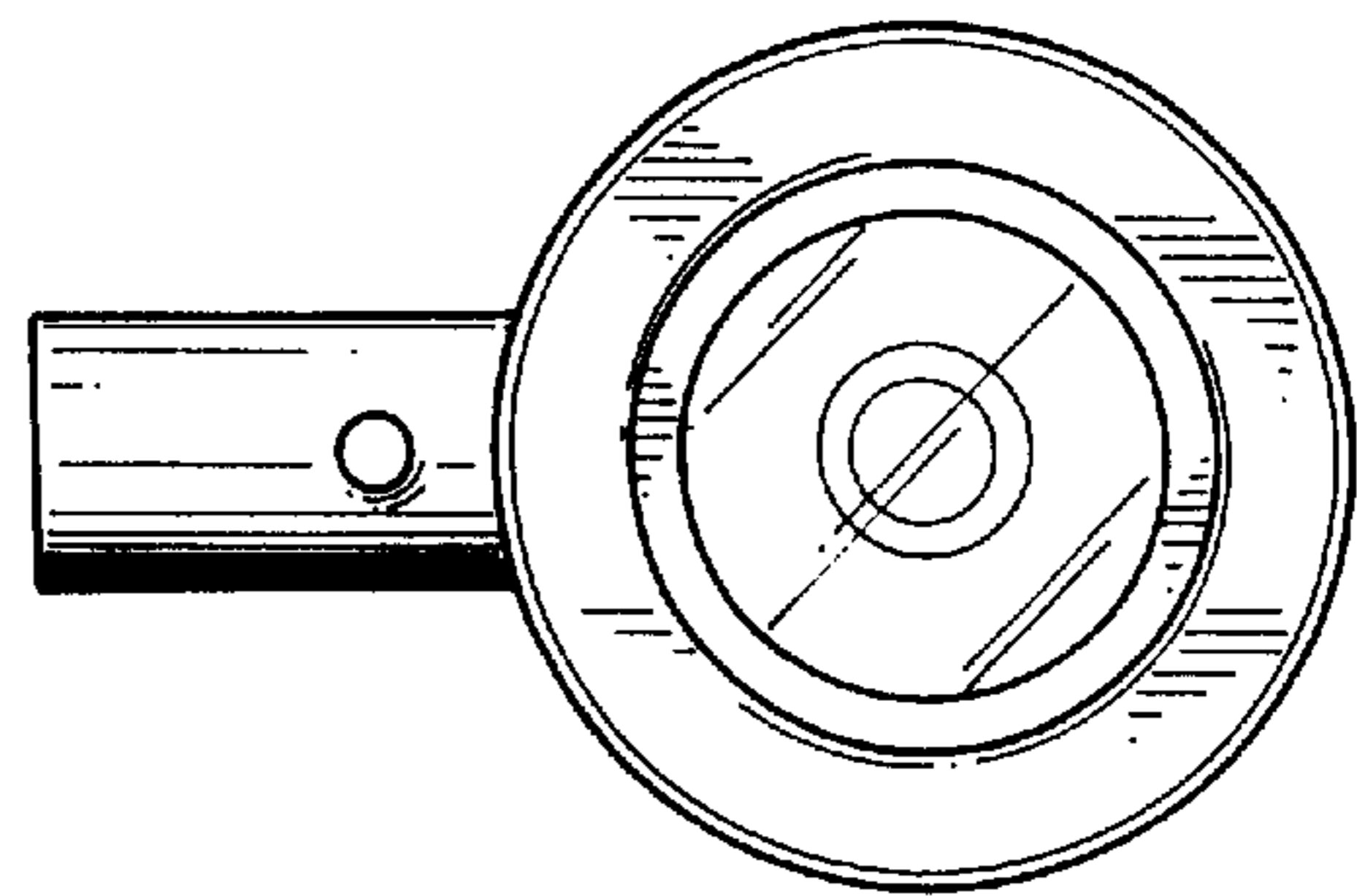


FIG. 7

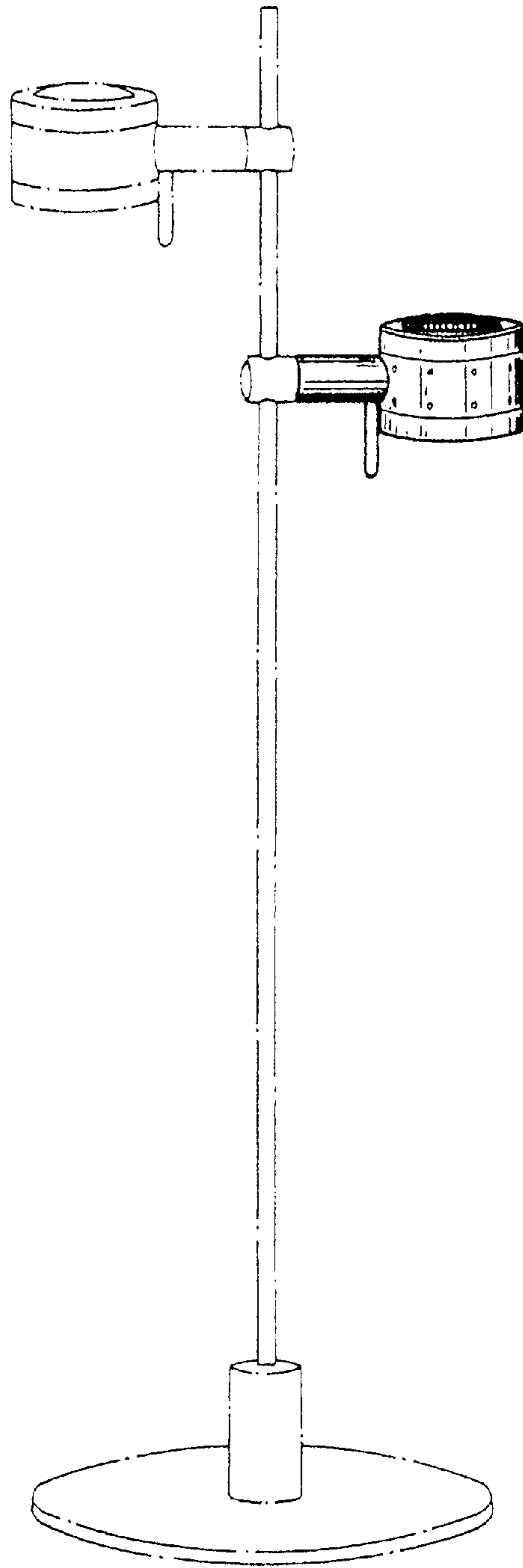


Fig. 8