



US00D488252S

(12) **United States Design Patent**
Benghozi

(10) **Patent No.:** **US D488,252 S**

(45) **Date of Patent:** **** Apr. 6, 2004**

(54) **LAMP FITTING**

6,588,922 B1 * 7/2003 DeCicco 362/364

(75) **Inventor:** **Simon-Victor Benghozi**, Outremont (CA)

* cited by examiner

Primary Examiner—Jennifer Rivard

(73) **Assignee:** **Bazz Inc.**, Montréal (CA)

(74) *Attorney, Agent, or Firm*—Jean H. Dubuc

(**) **Term:** **14 Years**

(57) **CLAIM**

The ornamental design for a lamp fitting, as shown and described.

(21) **Appl. No.:** **29/181,382**

(22) **Filed:** **May 12, 2003**

DESCRIPTION

(51) **LOC (7) Cl.** **26-99**

FIG. 1 is a perspective view of a lamp fitting showing my new design;

(52) **U.S. Cl.** **D26/118; D26/74**

FIG. 2 is a side view thereof;

(58) **Field of Search** D26/118, 138, D26/74; 362/296, 300, 301, 307, 311, 364, 365, 366, 347, 348, 349, 350

FIG. 3 is a side view opposite the side view shown in FIG. 2;

FIG. 4 is a side view at 90° to the view shown in FIG. 2;

FIG. 5 is a front view thereof;

FIG. 6 is a side view opposite the side view shown in FIG. 4; and,

FIG. 7 is a rear view thereof.

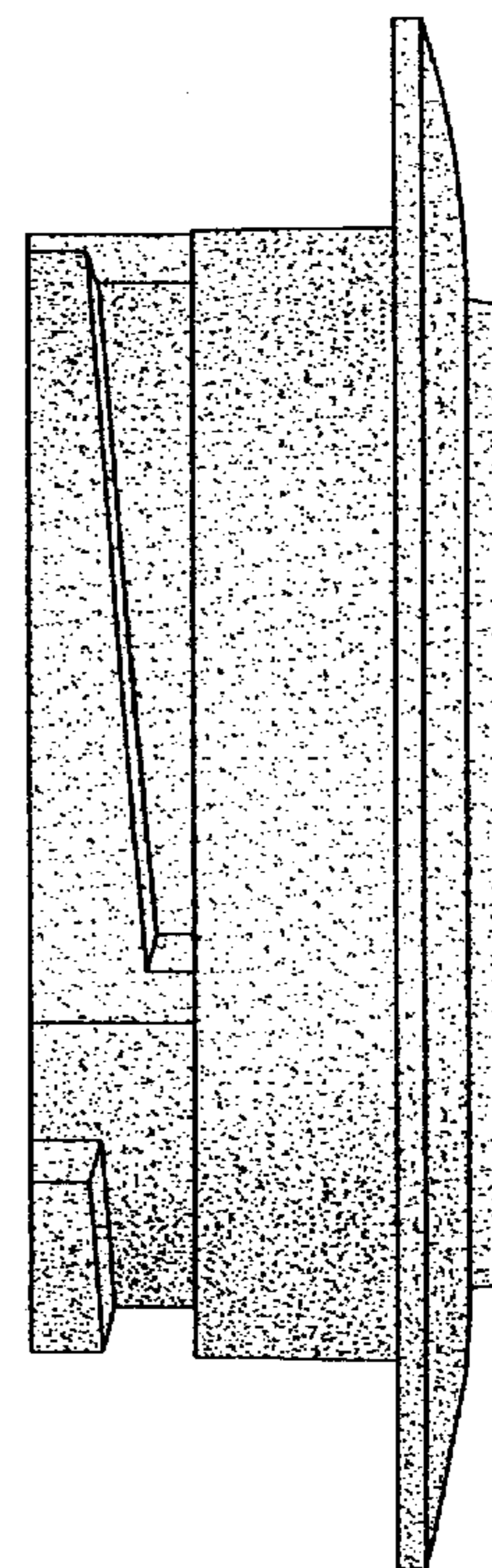
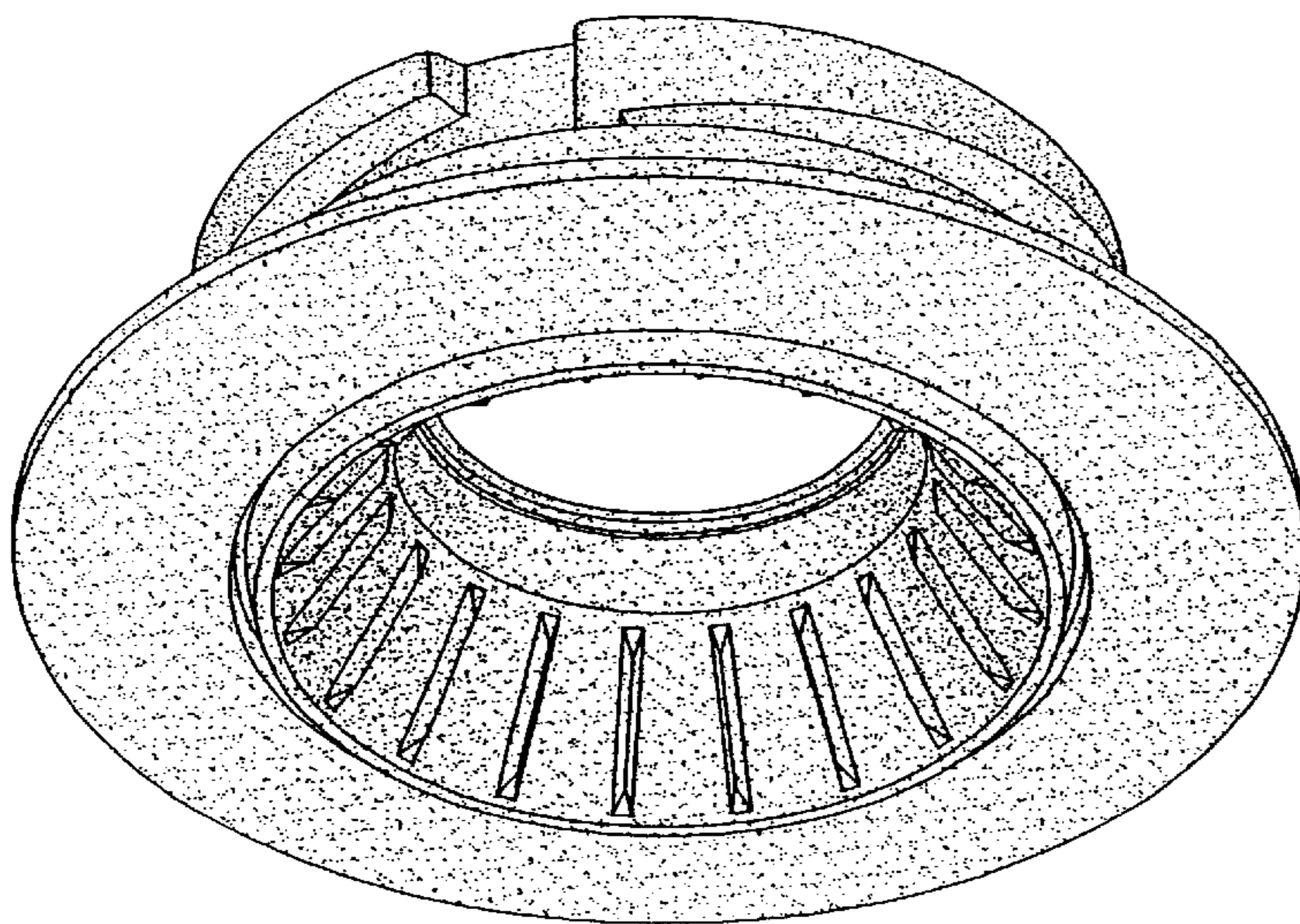
(56) **References Cited**

U.S. PATENT DOCUMENTS

6,375,338 B1 * 4/2002 Cummings et al. 362/365

D473,965 S * 4/2003 Lecluze D26/74

1 Claim, 3 Drawing Sheets



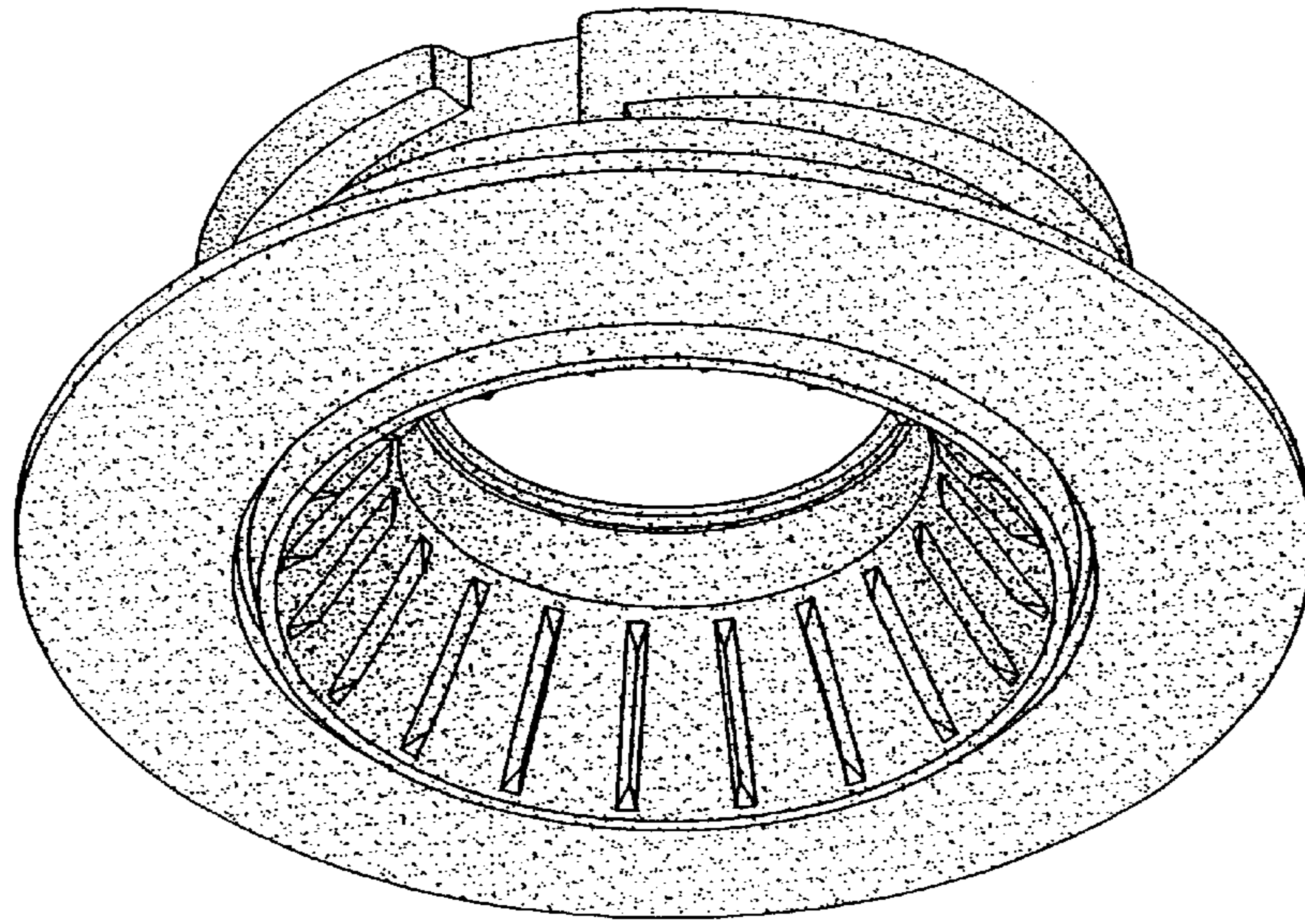


FIG. 1

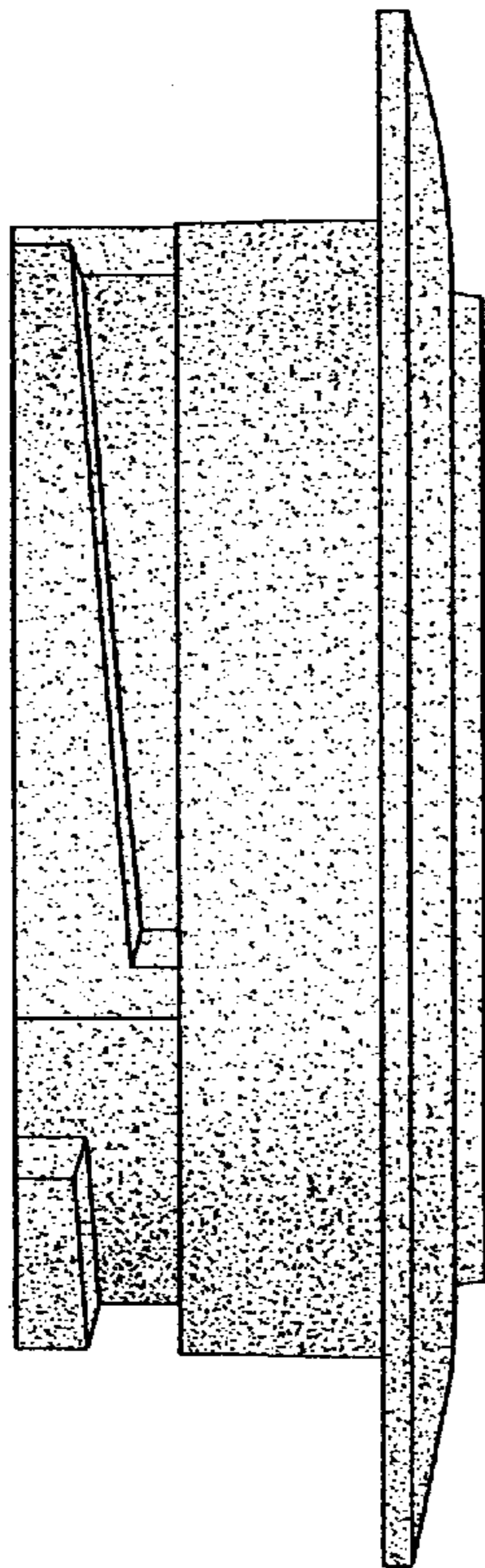


FIG. 2

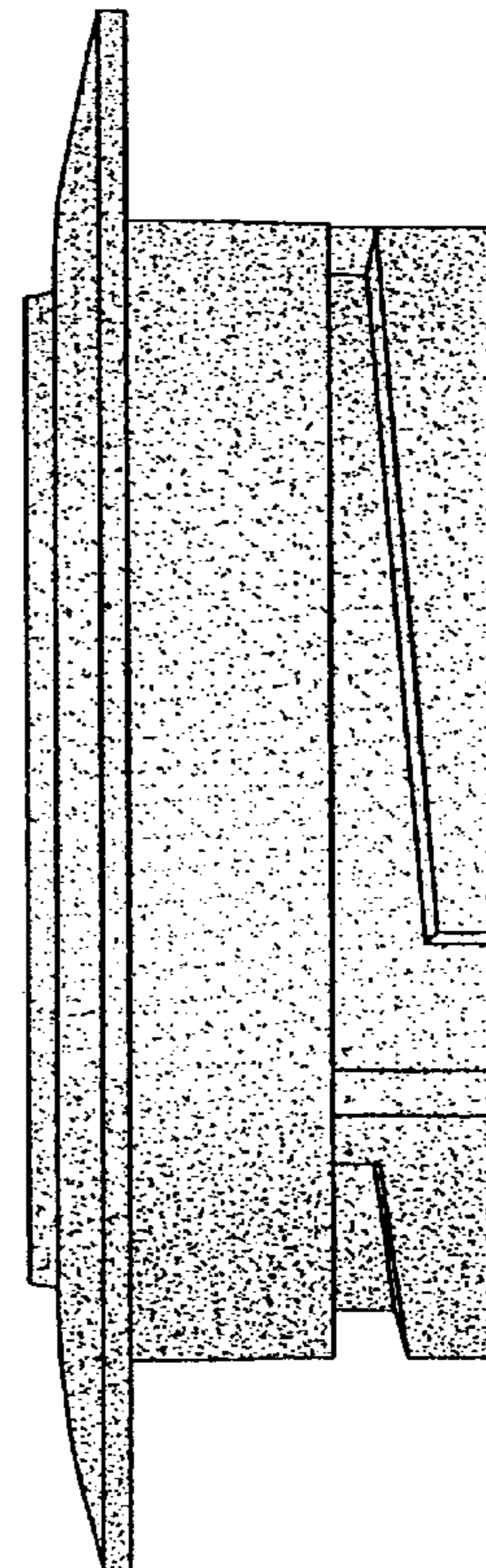


FIG. 3

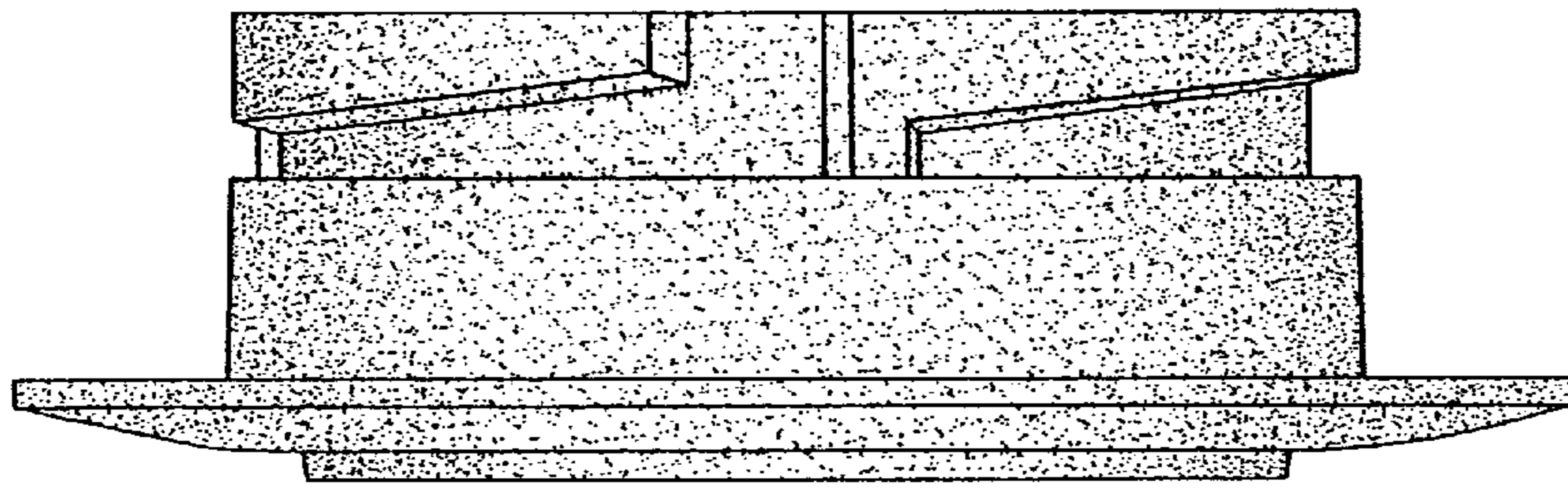


FIG. 4

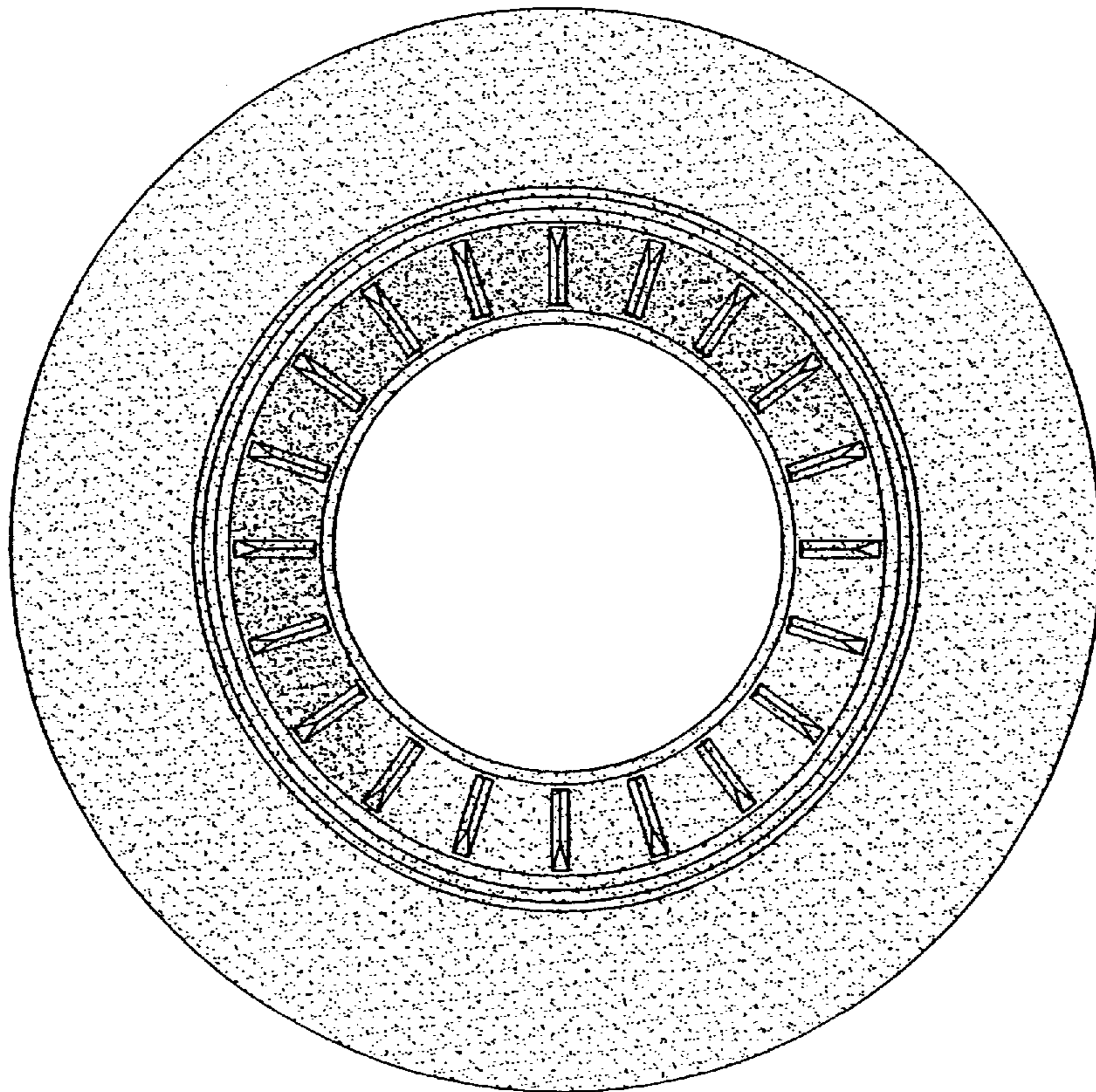


FIG. 5

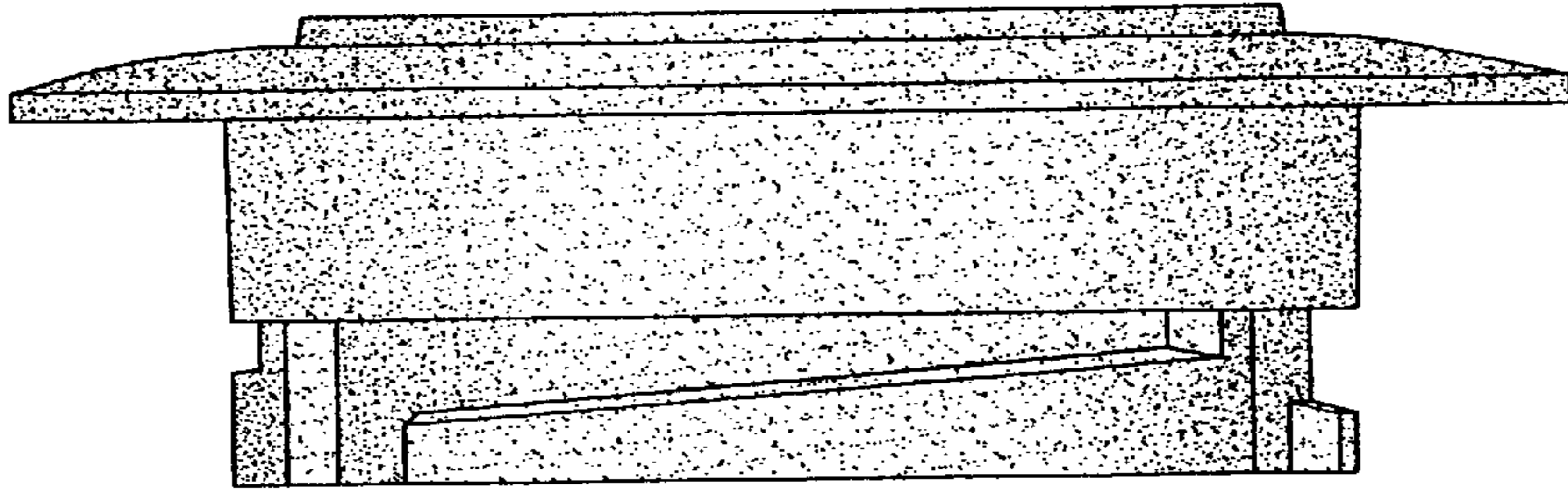


FIG. 6

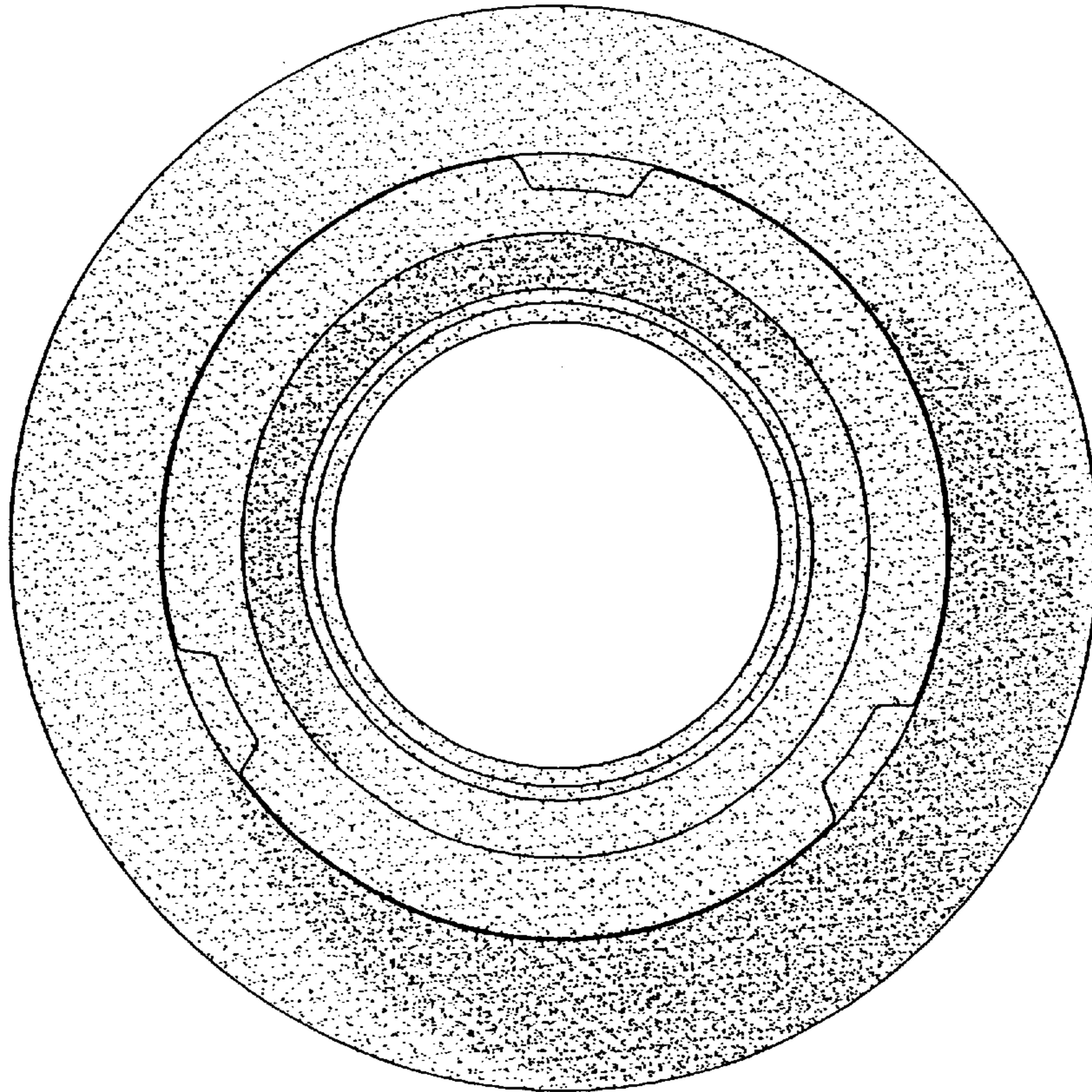


FIG. 7