



US00D488248S

(12) **United States Design Patent**
Toyoaki et al.

(10) **Patent No.:** **US D488,248 S**

(45) **Date of Patent:** **** Apr. 6, 2004**

(54) **ELECTRIC LAMP WITH A FOLDABLE LIGHTING ELEMENT**

(75) **Inventors:** **Hirano Toyoaki, Katano (JP); Ohtsuki Naruka, Amagasaki (JP)**

(73) **Assignee:** **Matsushita Electric Works, Ltd., Kadoma (JP)**

(**) **Term:** **14 Years**

(21) **Appl. No.:** **29/158,443**

(22) **Filed:** **Apr. 5, 2002**

(30) **Foreign Application Priority Data**

Oct. 15, 2001 (JP) 2001-030165

(51) **LOC (7) Cl.** **26-05**

(52) **U.S. Cl.** **D26/65**

(58) **Field of Search** D26/61-66, 93-112;
362/217, 220, 224, 269-275, 277-289,
410-414

(56) **References Cited**

U.S. PATENT DOCUMENTS

D345,810 S * 4/1994 Yuen D26/44

D428,179 S * 7/2000 Huang D26/65

D430,686 S * 9/2000 Gismondi D26/63

* cited by examiner

Primary Examiner—Alan P. Douglas

Assistant Examiner—Linda Brooks

(74) *Attorney, Agent, or Firm*—Oblon, Spivak, McClelland, Maier & Neustadt, P.C.

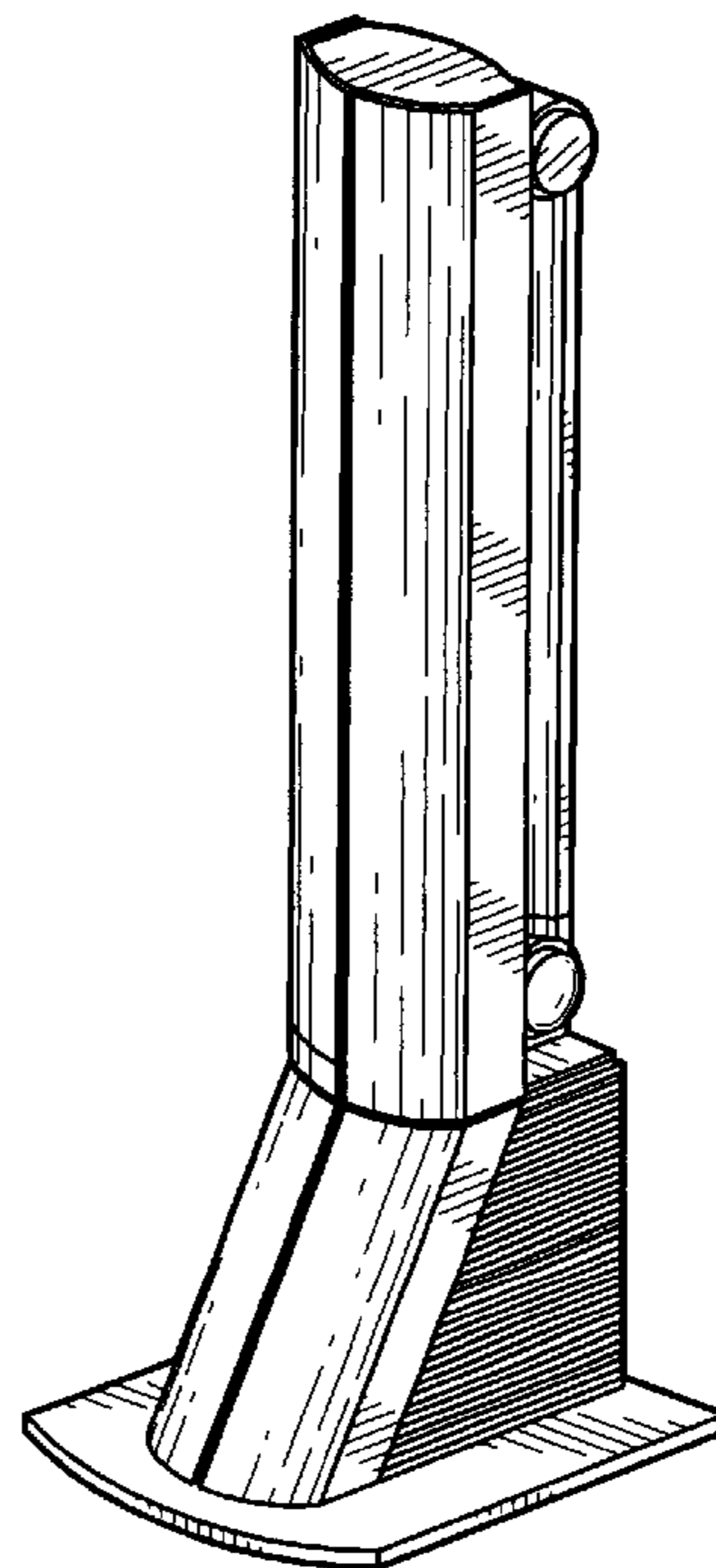
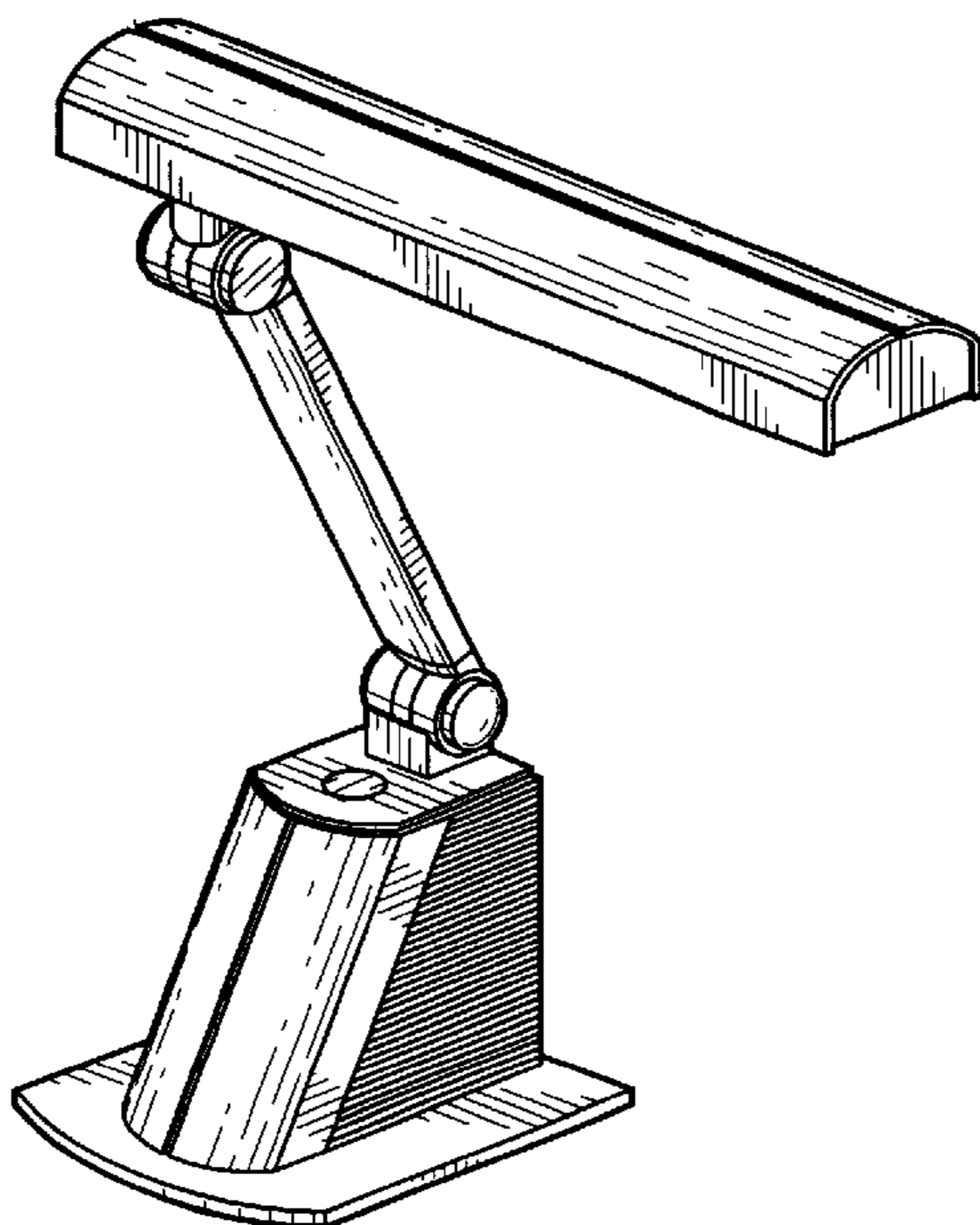
(57) **CLAIM**

The ornamental design for an electric lamp with a foldable lighting element, as shown and described.

DESCRIPTION

FIG. 1 is a top and right front perspective view of an electric lamp with a foldable lighting element, showing our design; FIG. 2 is a top and right front perspective view thereof showing the lighting element in a folded position for storage; FIG. 3 is a front elevational view thereof; FIG. 4 is a right side elevational view thereof; FIG. 5 is a top plan view thereof; FIG. 6 is a bottom plan view thereof; FIG. 7 is a rear elevational view thereof; and, FIG. 8 is a left-side elevational view thereof. FIG. 9 is a front elevational view thereof showing the lighting element in the stored position; FIG. 10 is a right-side elevational view thereof showing the lighting element in the stored position; FIG. 11 is a top plane view thereof showing the lighting element in the stored position; FIG. 12 is a rear elevational view thereof showing the lighting element in the stored position; FIG. 13 is a bottom plan view thereof showing the lighting element in the stored position; FIG. 14 is a right side elevational view thereof showing the lighting element in an alternate position; and FIG. 15 is a top plan view thereof showing the lighting element at yet another alternate position.

1 Claim, 9 Drawing Sheets



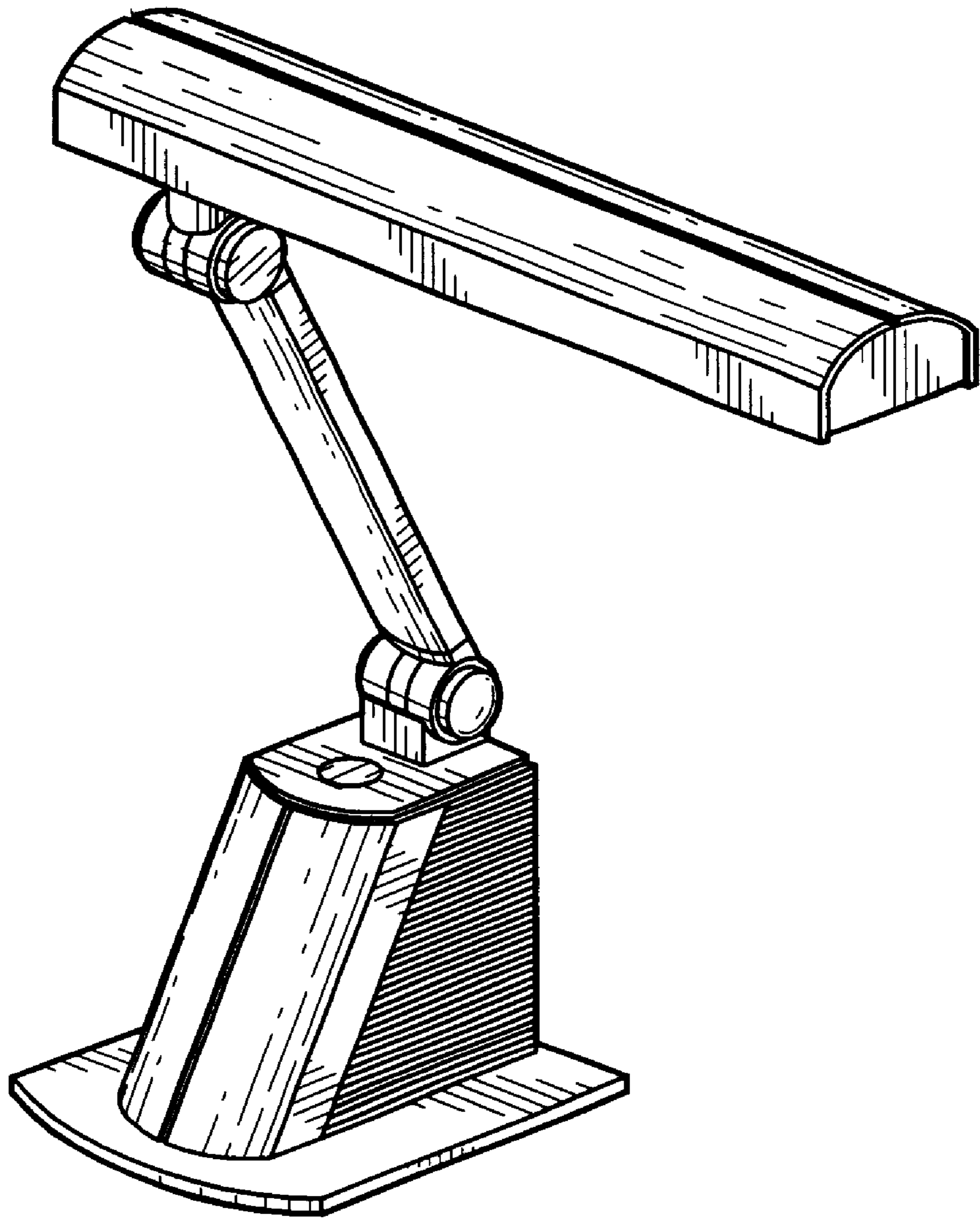


FIG. 1

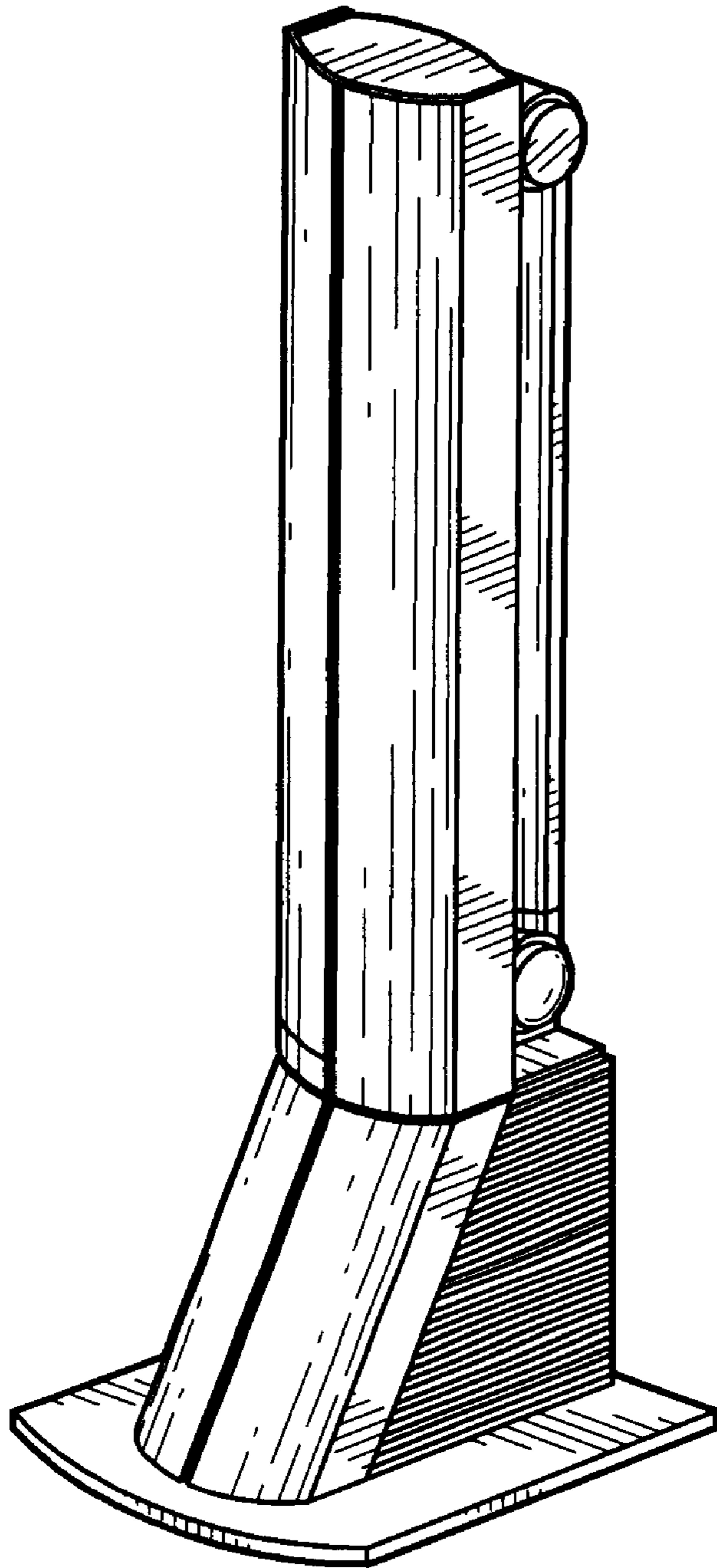


FIG. 2

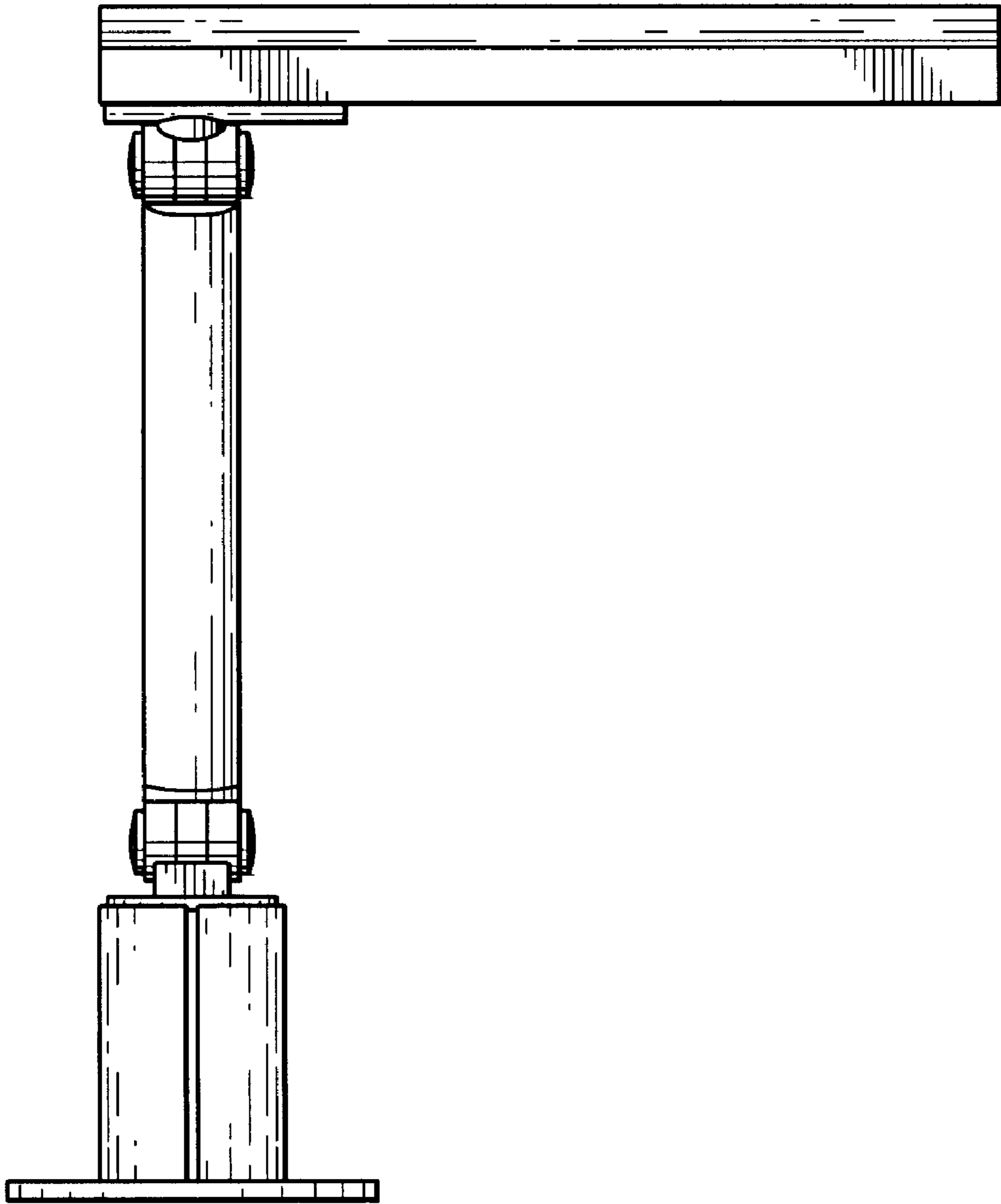


FIG. 3

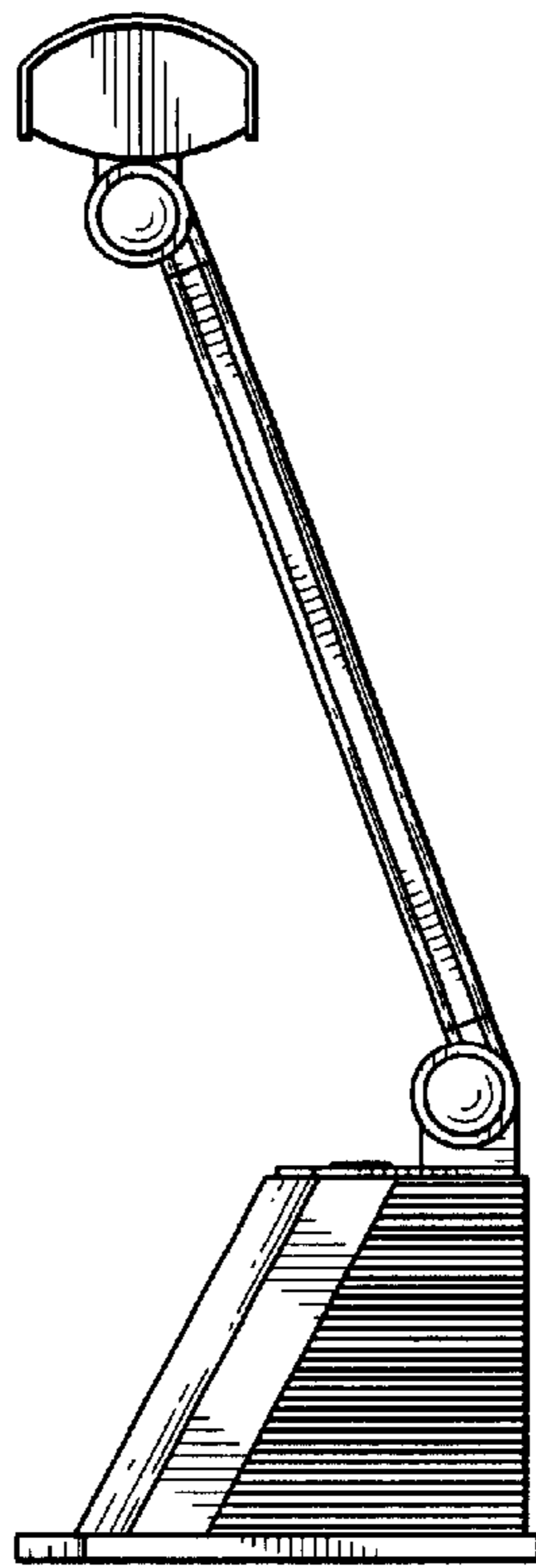


FIG. 4



FIG. 5

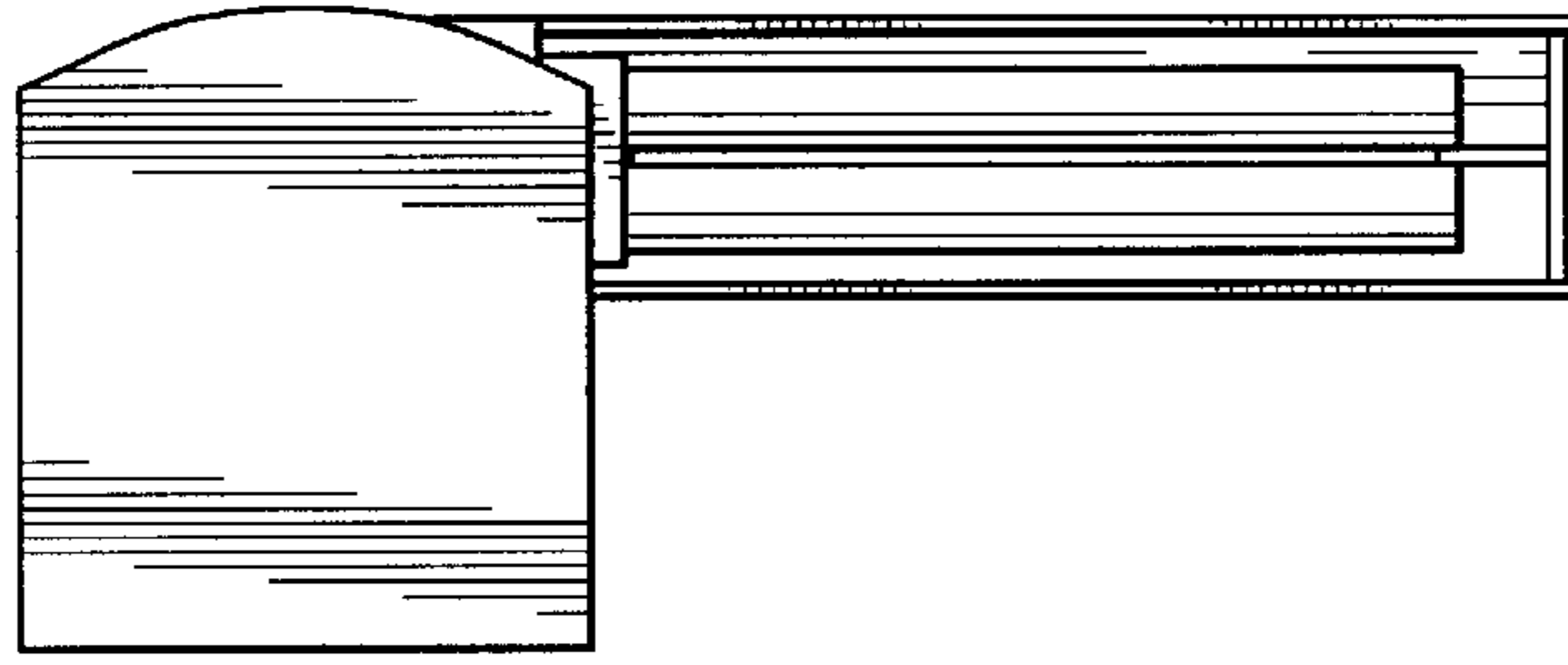


FIG. 6

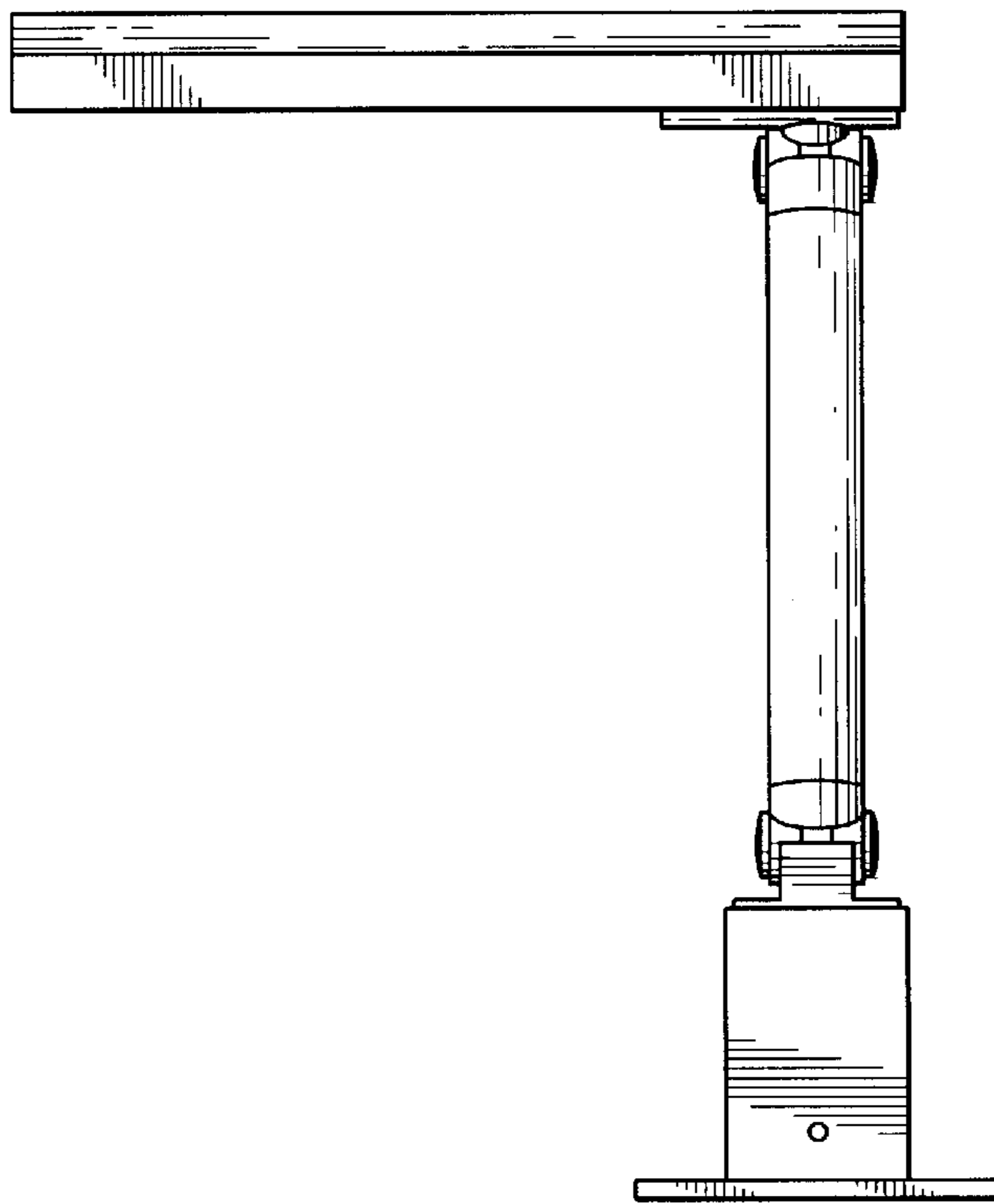


FIG. 7

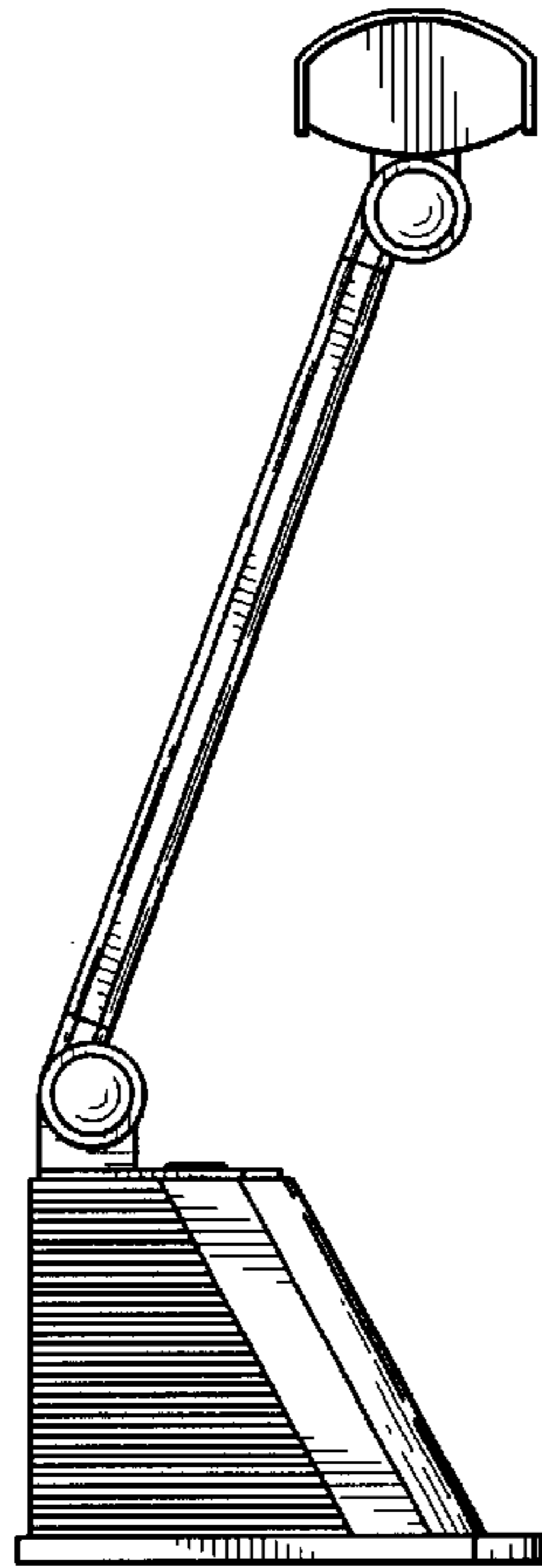


FIG. 8

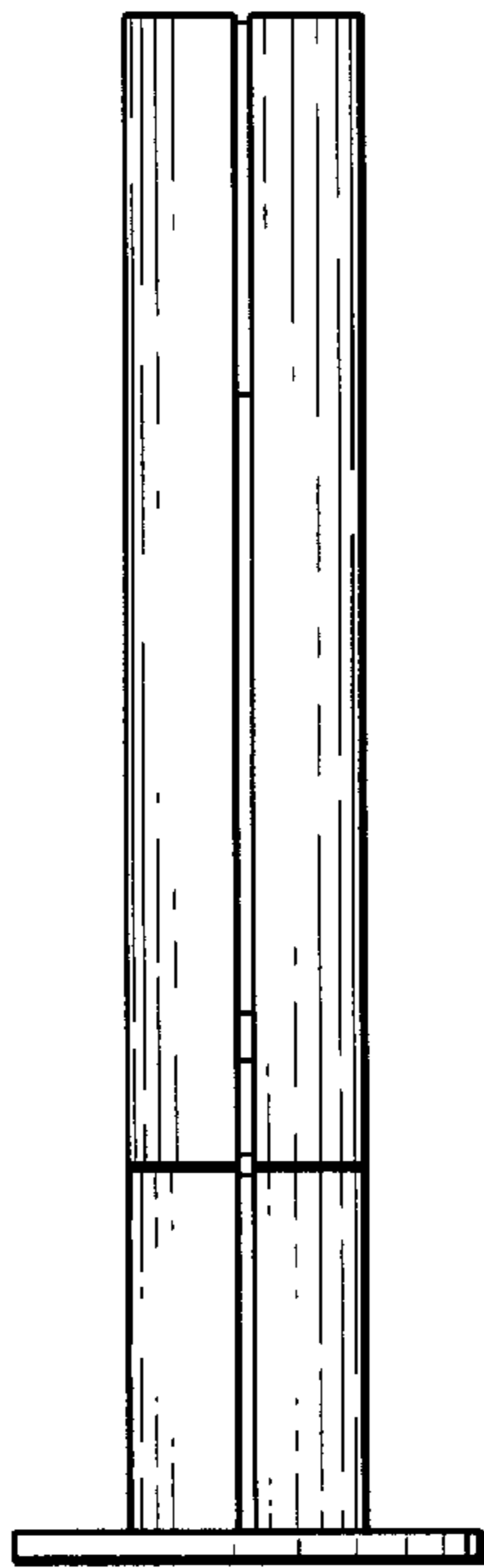


FIG. 9

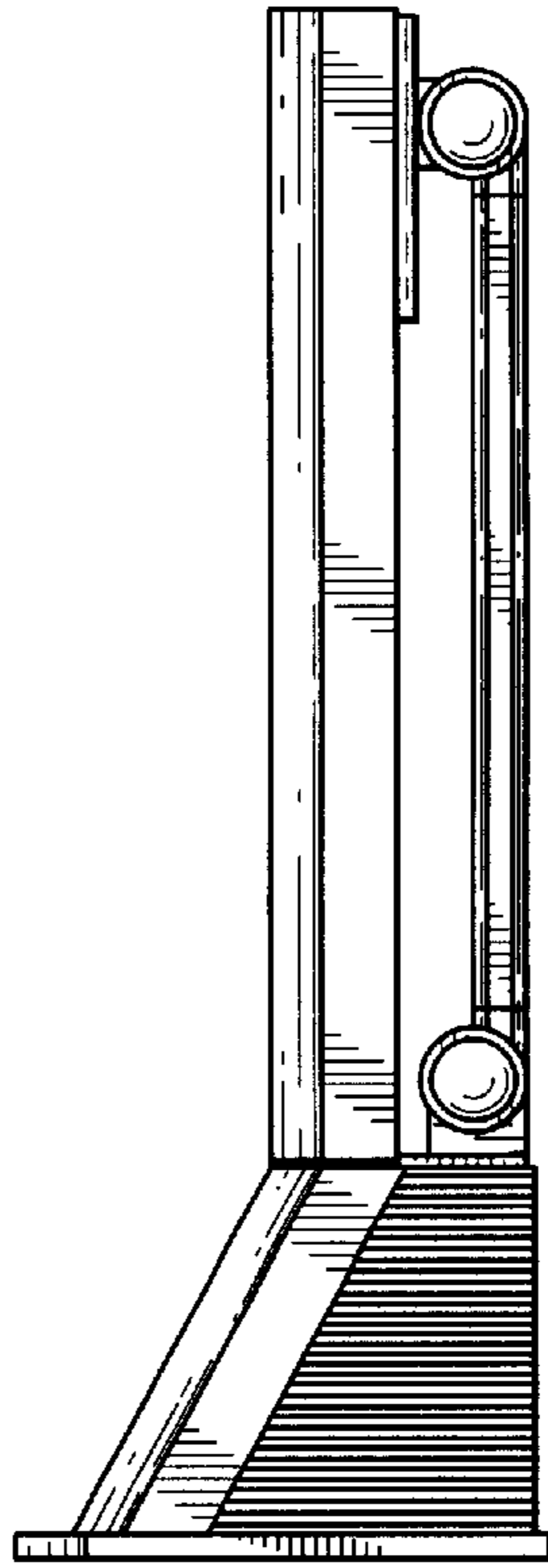


FIG. 10

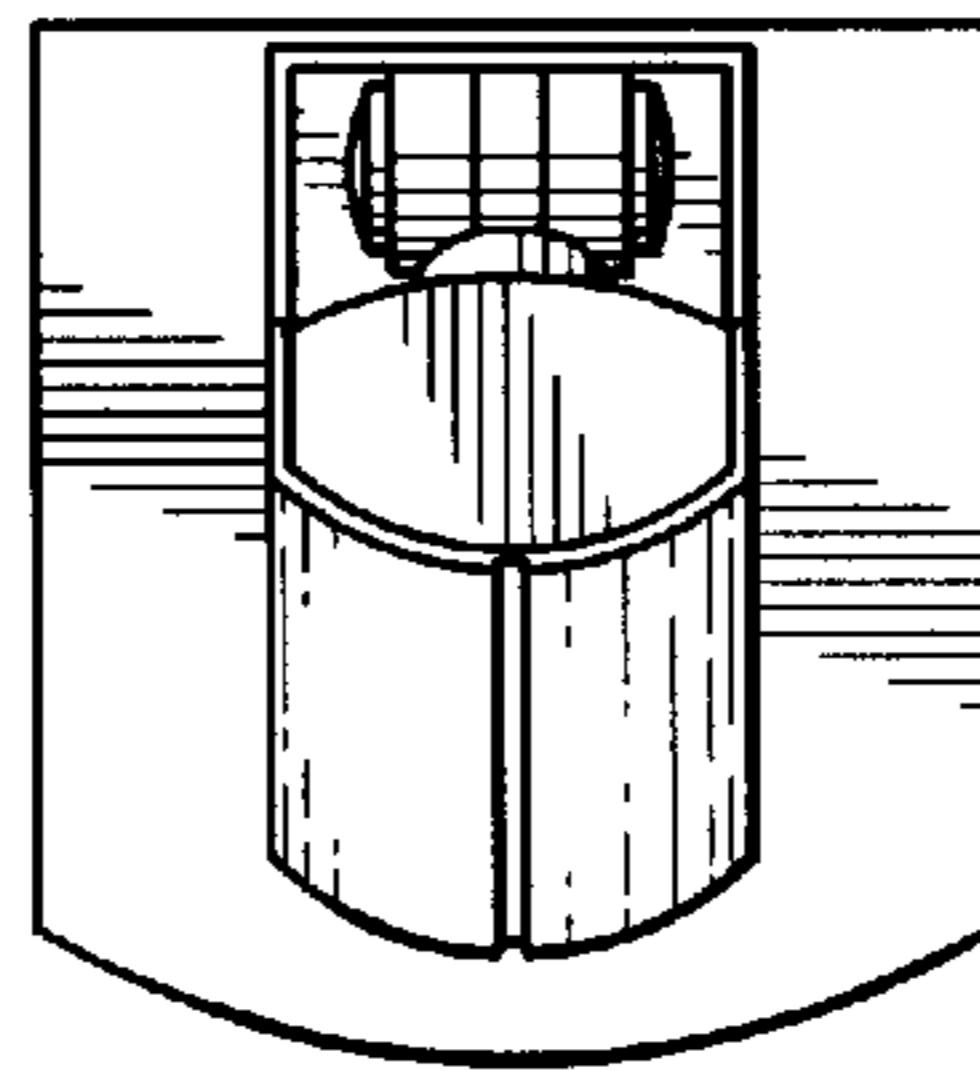


FIG. 11

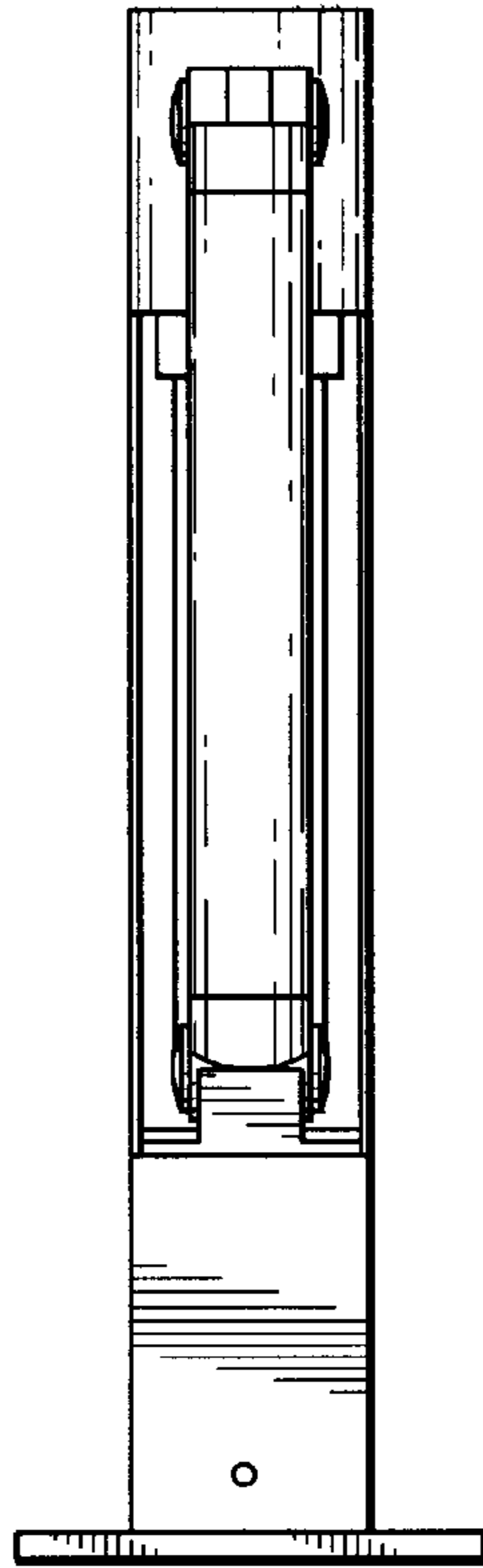


FIG. 12

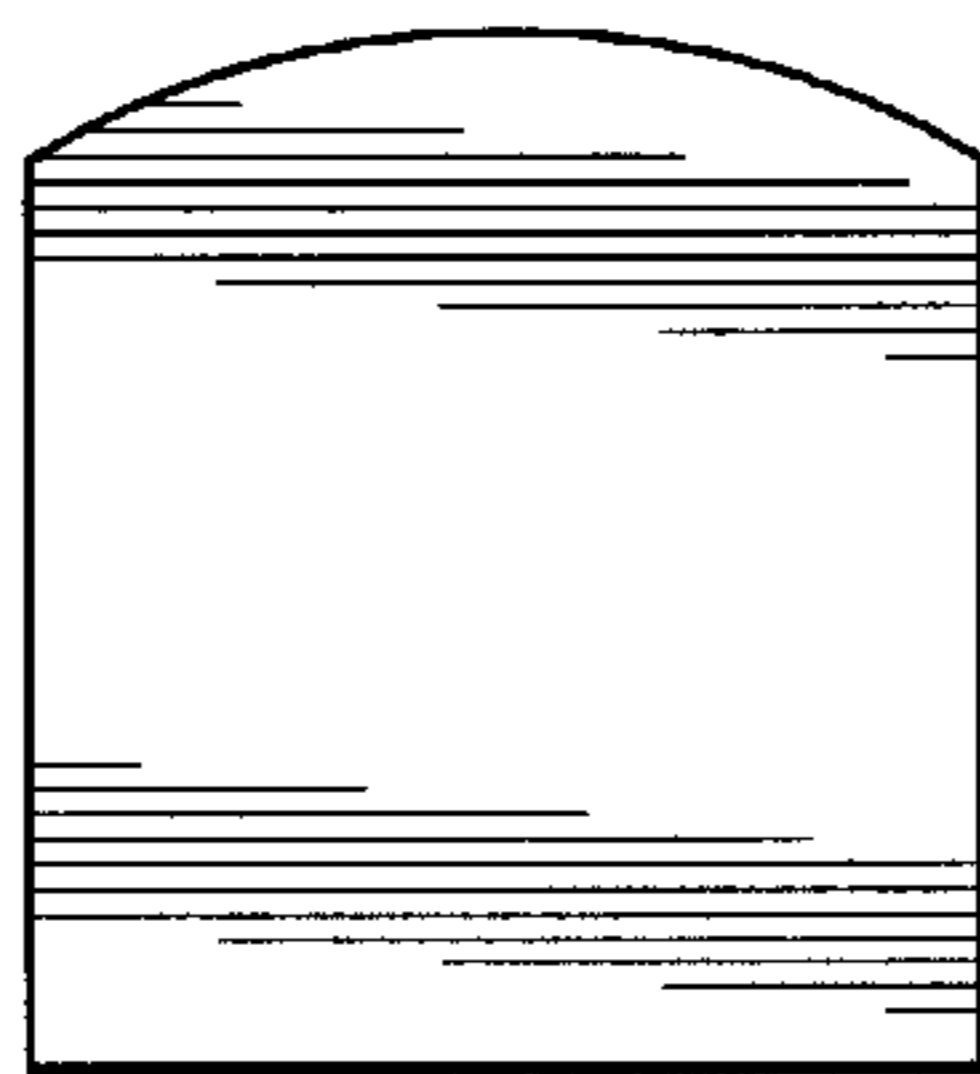


FIG. 13

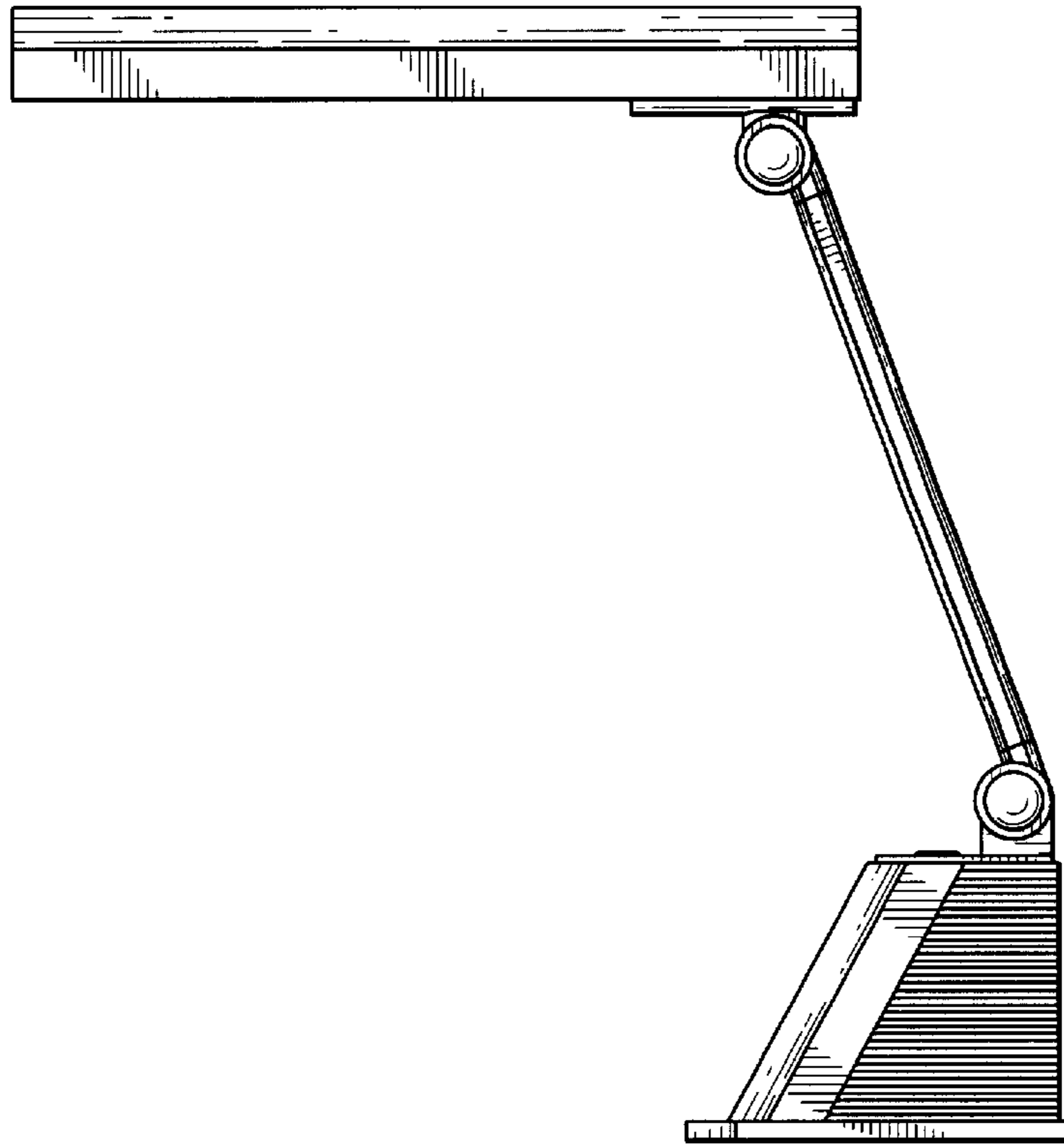


FIG. 14

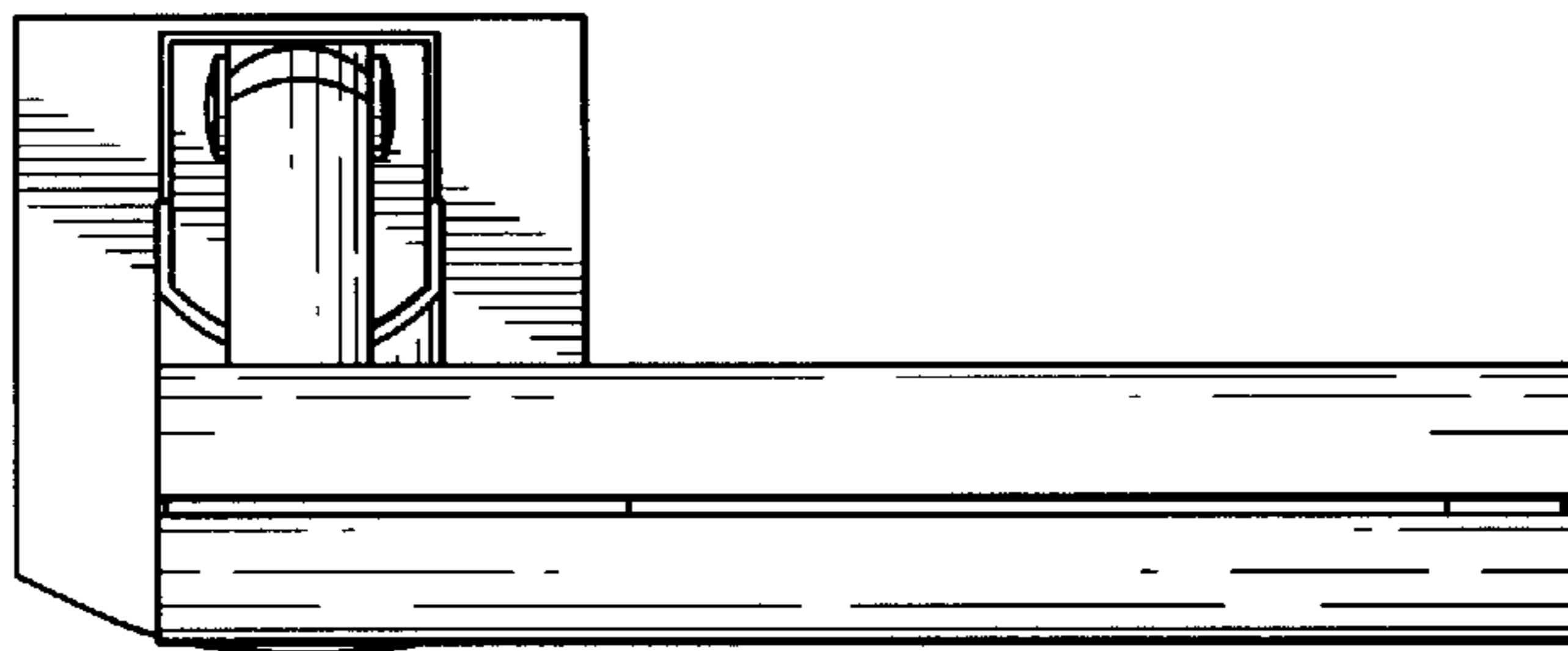


FIG. 15

UNITED STATES PATENT AND TRADEMARK OFFICE
CERTIFICATE OF CORRECTION

PATENT NO. : Des. 488,248 S
DATED : April 6, 2004
INVENTOR(S) : Hirano Toyooki et al.

Page 1 of 1

It is certified that error appears in the above-identified patent and that said Letters Patent is hereby corrected as shown below:

Title page,

DESCRIPTION,

Line 10, after thereof; delete “and,”

Line 11, after thereof delete “.” and insert --; --

Signed and Sealed this

Twenty-seventh Day of July, 2004

A handwritten signature in black ink that reads "Jon W. Dudas". The signature is written in a cursive style with a large, looped initial "J".

JON W. DUDAS

Acting Director of the United States Patent and Trademark Office