



US00D488247S

(12) **United States Design Patent**
Lin

(10) **Patent No.:** **US D488,247 S**

(45) **Date of Patent:** **** Apr. 6, 2004**

(54) **ADJUSTABLE TRACKLIGHT**

5,738,434 A * 4/1998 Sun 362/199
D475,479 S * 6/2003 Lin D26/64

(76) **Inventor:** **Shan Chaing Lin**, No. 2, Lane 111, Ta
Chu Road, Lu Chu Hsiang, Taoyuan
Hsien (TW)

* cited by examiner

(**) **Term:** **14 Years**

Primary Examiner—Clare E. Hefflin
(74) *Attorney, Agent, or Firm*—Troxell Law Office PLLC

(21) **Appl. No.:** **29/179,449**

(57) **CLAIM**

(22) **Filed:** **Apr. 11, 2003**

The ornamental design for an adjustable tracklight, as
shown.

(51) **LOC (7) Cl.** **26-05**

DESCRIPTION

(52) **U.S. Cl.** **D26/64; D26/66**

FIG. 1 is a front perspective view of an adjustable tracklight
showing my new design;

(58) **Field of Search** D26/60–66; 362/269,
362/270, 275, 281–287, 418, 419, 427,
428, 430, 404, 147, 432

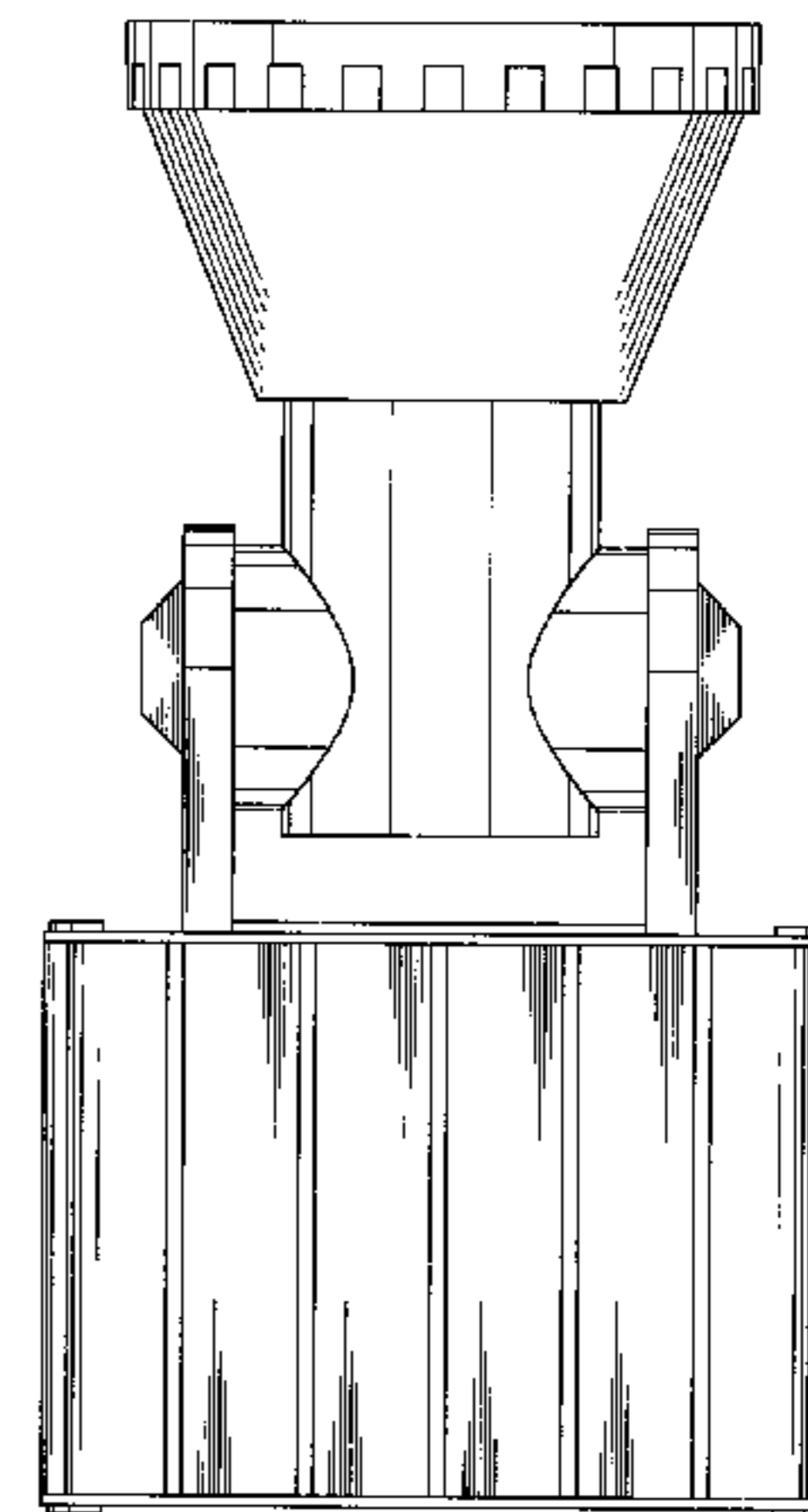
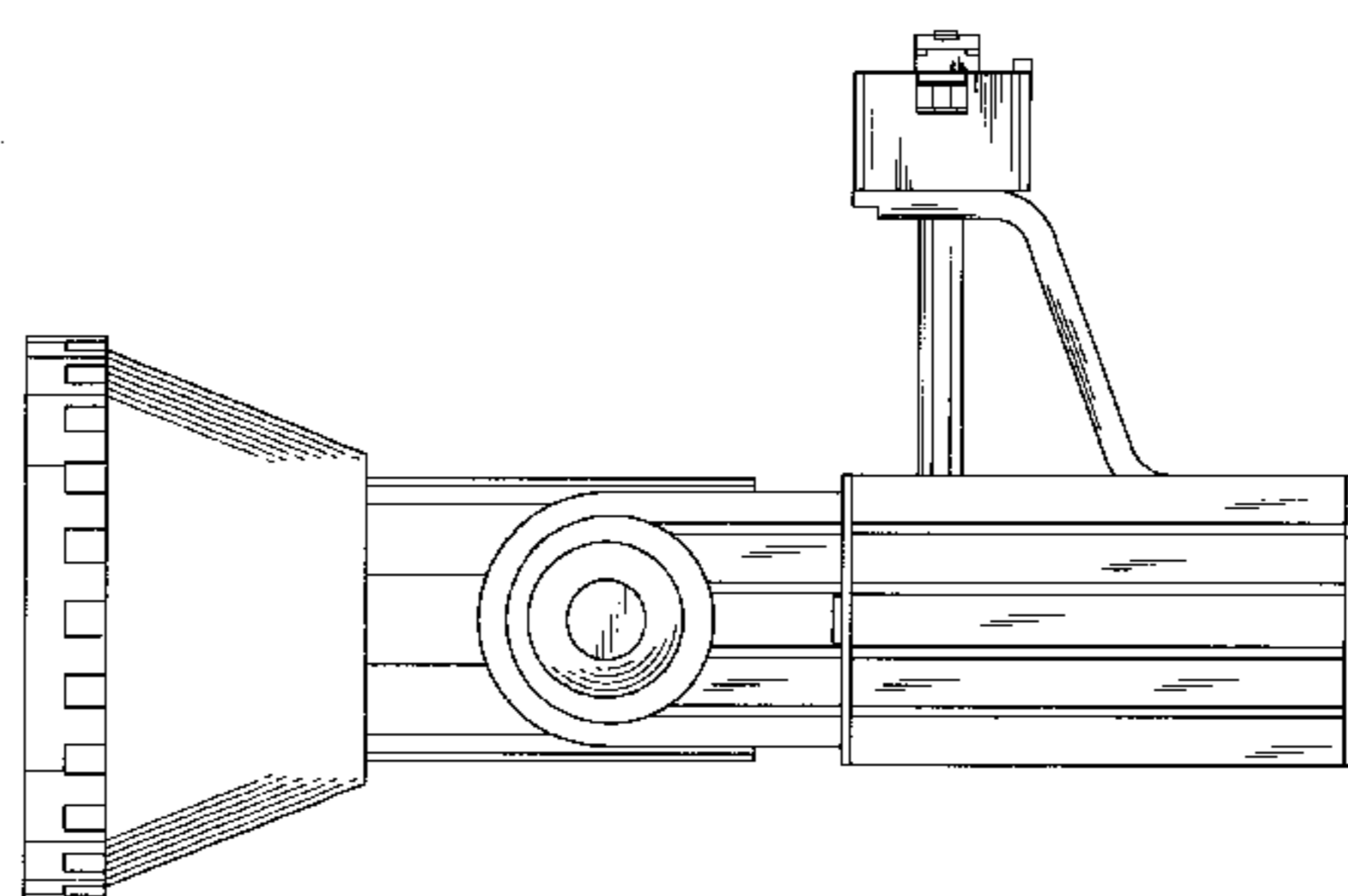
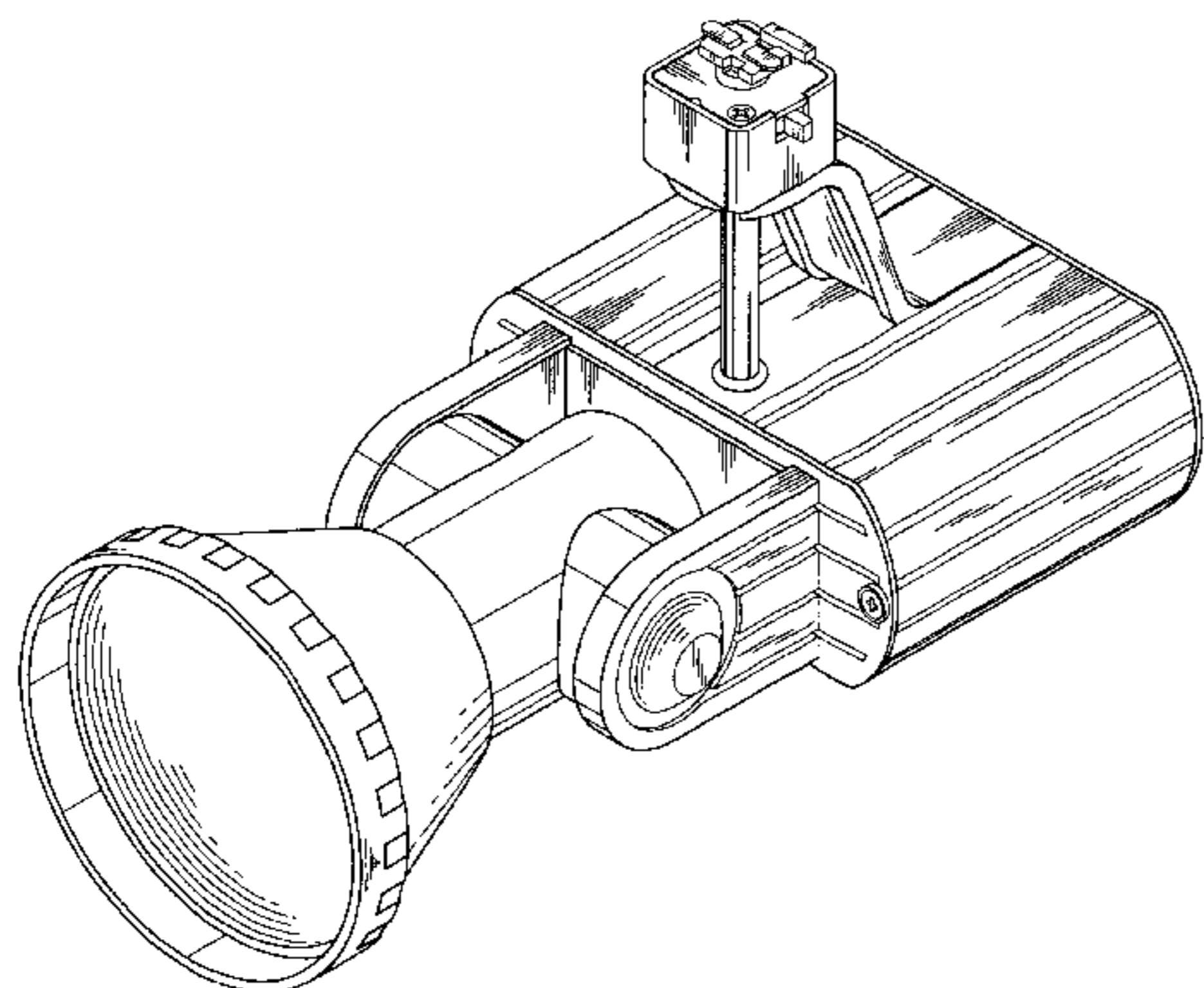
FIG. 2 is a front elevational view thereof;
FIG. 3 is a rear elevational view thereof;
FIG. 4 is a left side elevational view thereof;
FIG. 5 is a right side elevational view thereof;
FIG. 6 is a top plan view thereof; and,
FIG. 7 is a bottom plan view thereof.

(56) **References Cited**

U.S. PATENT DOCUMENTS

D286,444 S * 10/1986 Jankowski et al. D26/65
5,541,822 A * 7/1996 Bamber 362/190

1 Claim, 7 Drawing Sheets



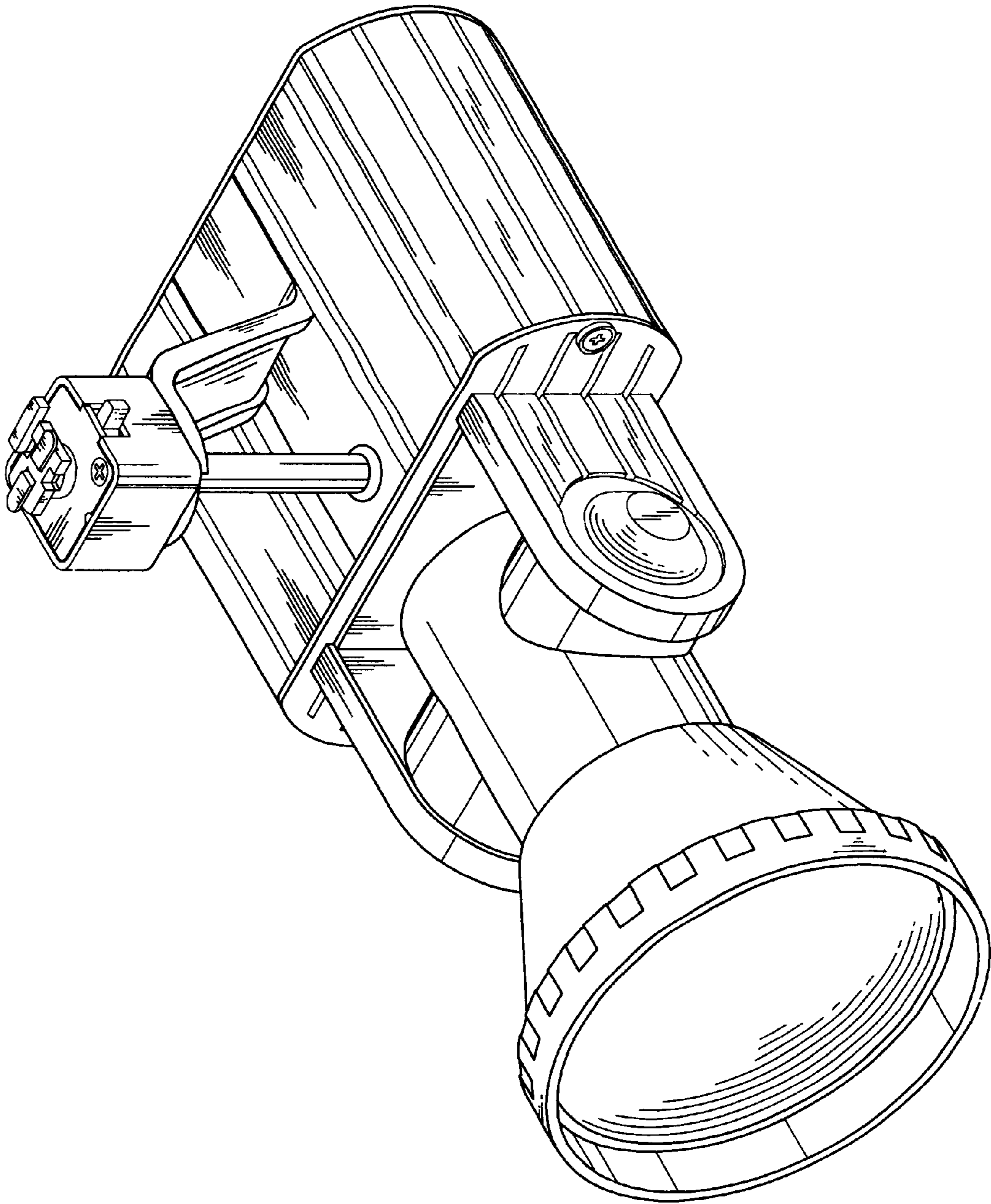


Fig. 1

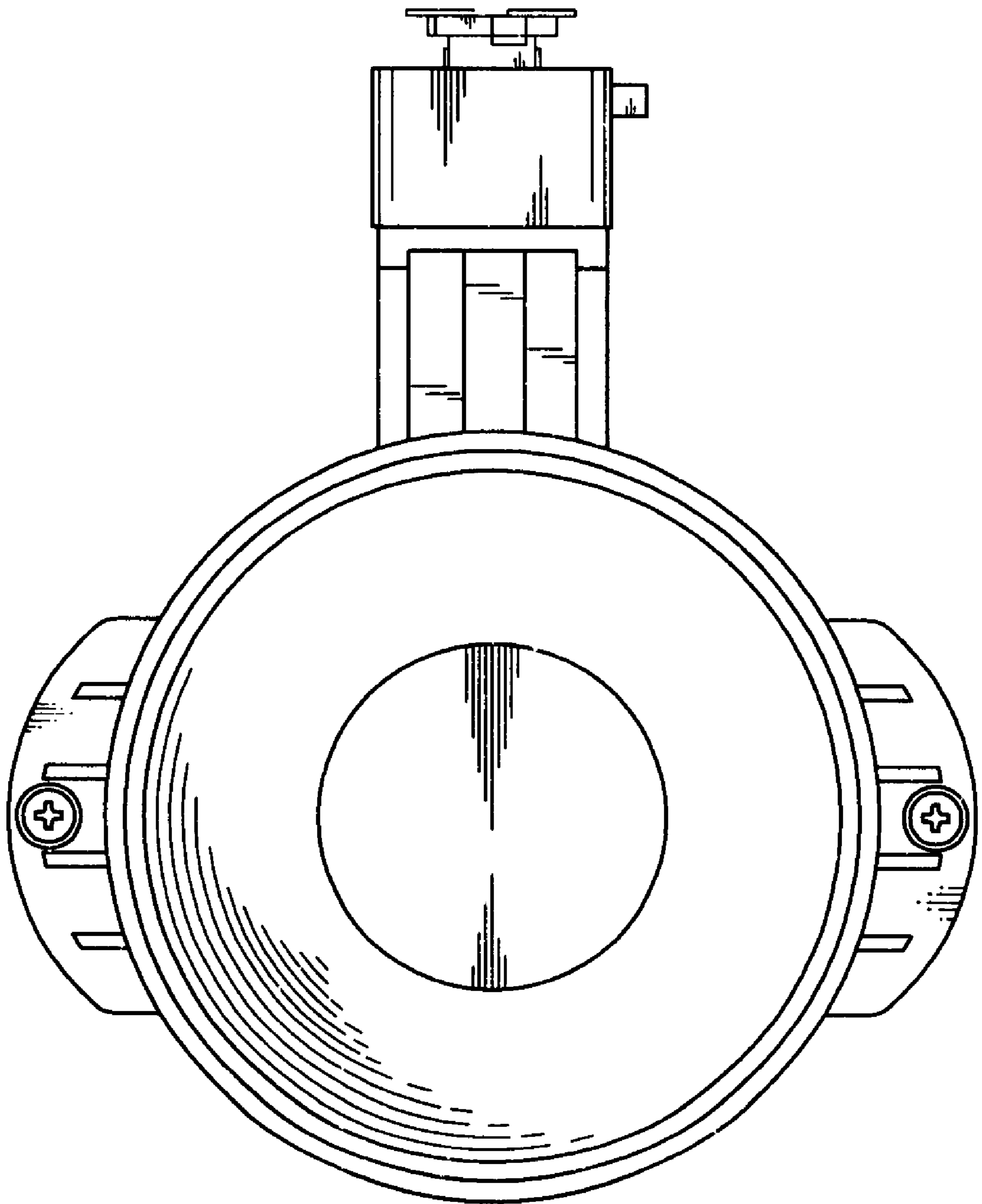


Fig. 2

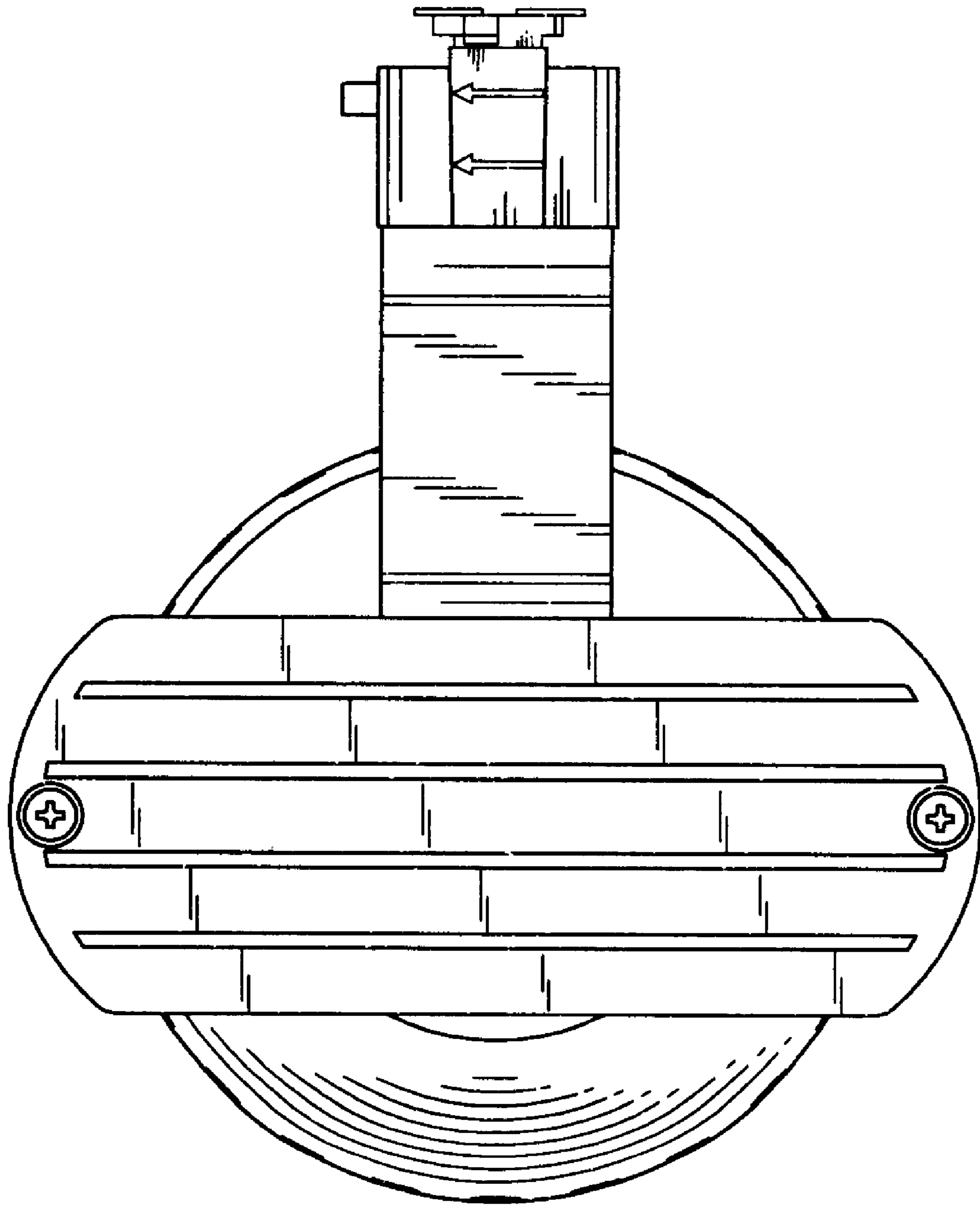


Fig. 3

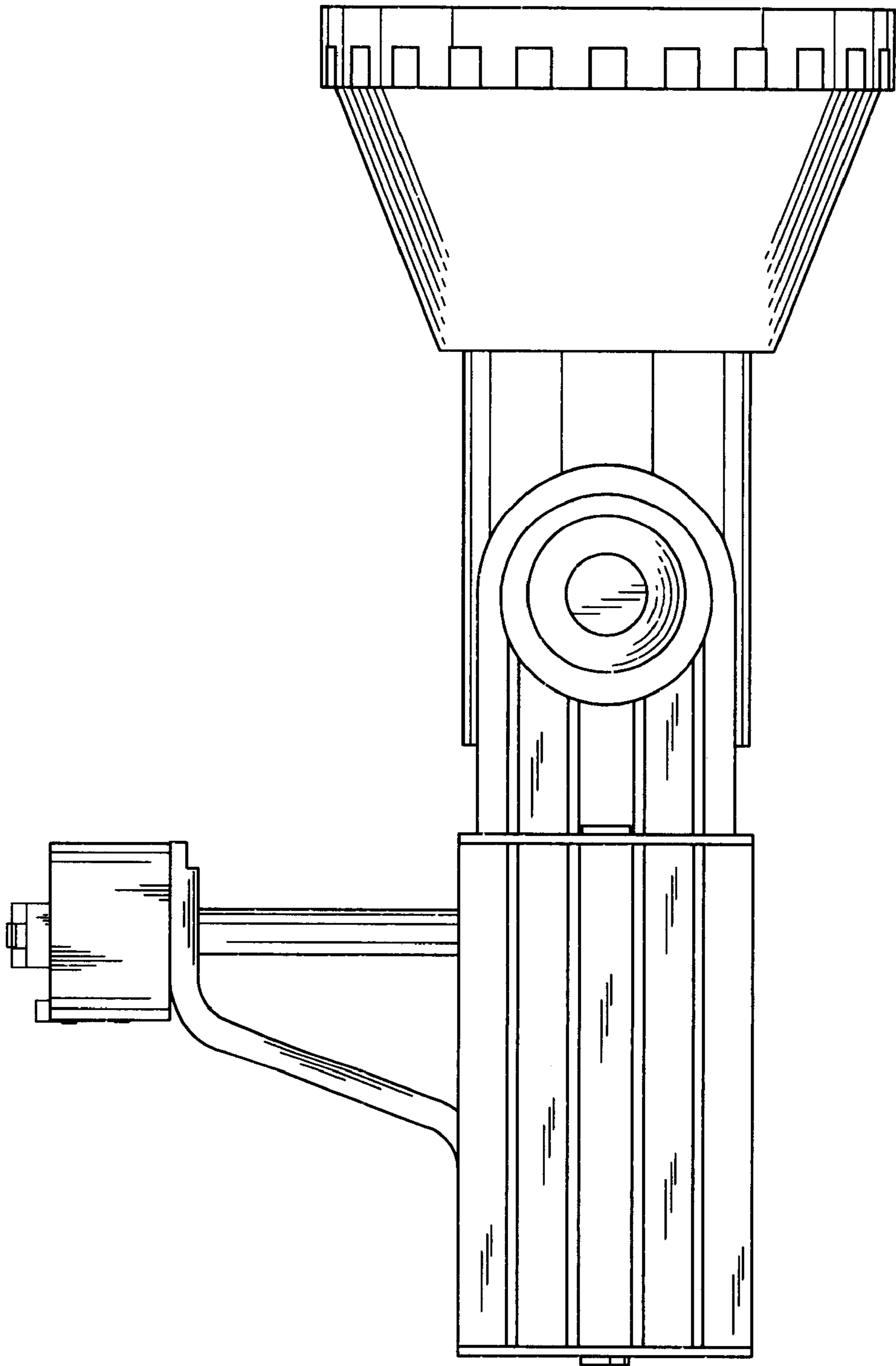


Fig. 4

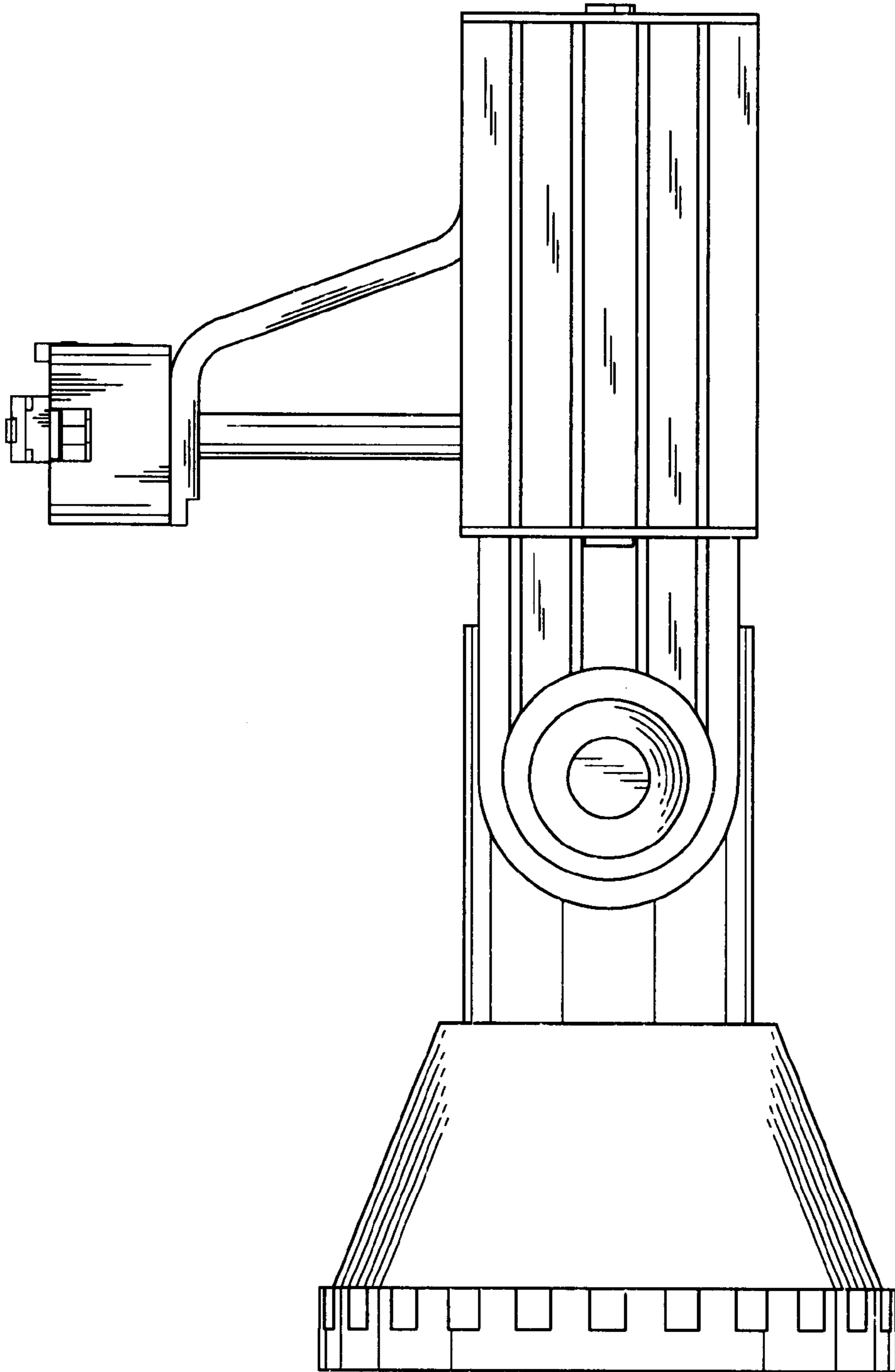


Fig. 5

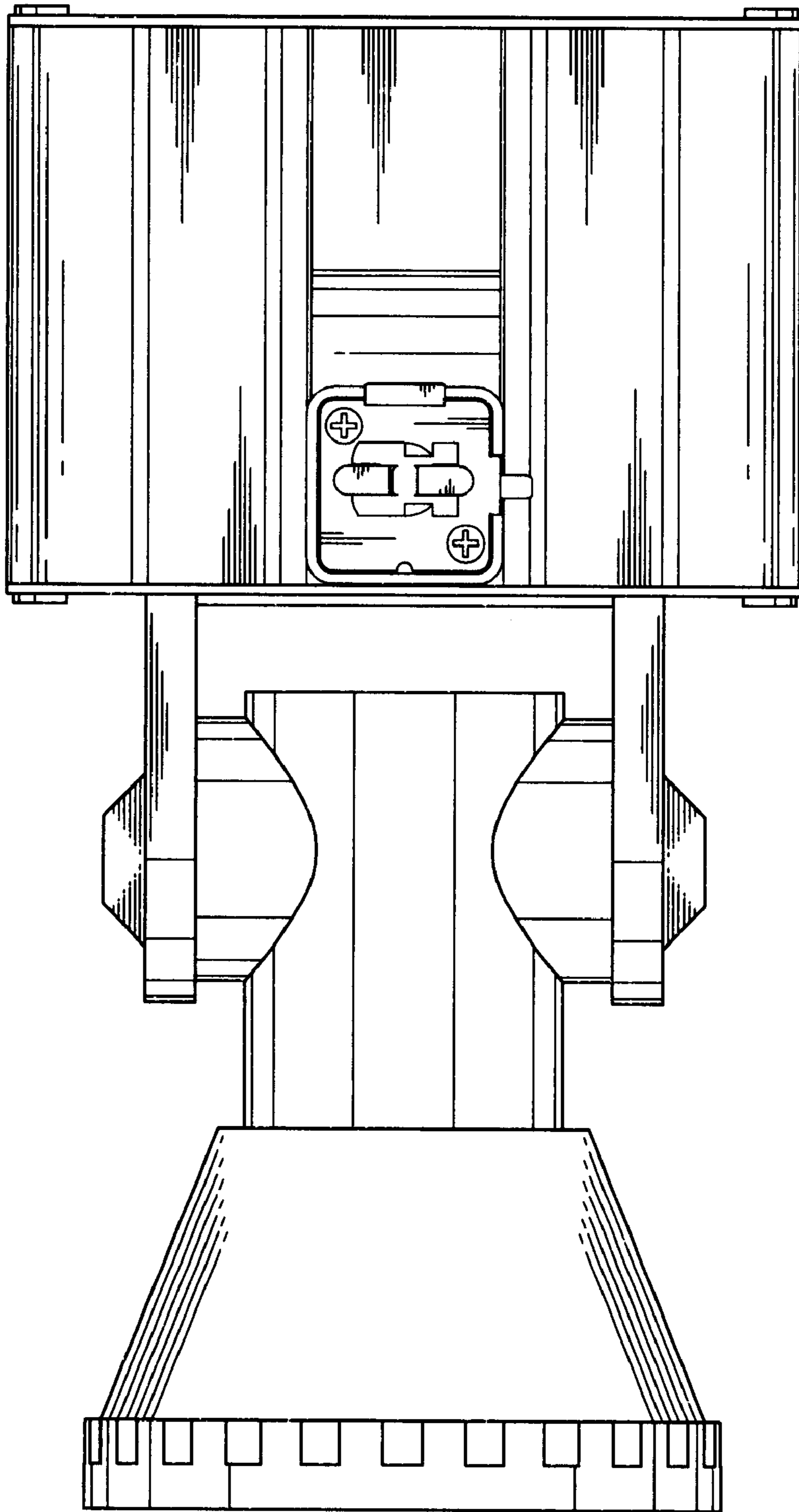


Fig. 6

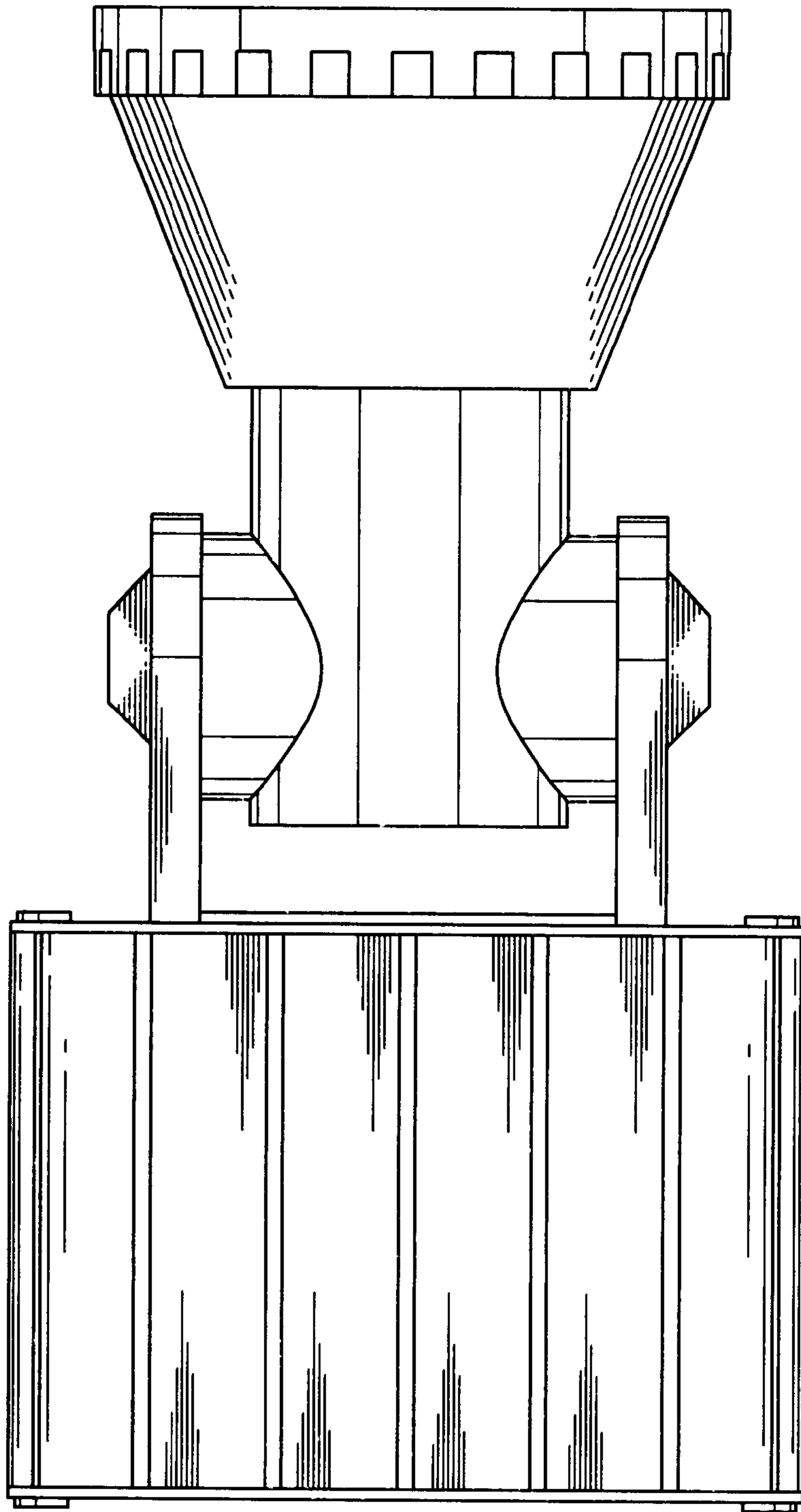


Fig. 7