



US00D488246S

(12) **United States Design Patent**
Lee

(10) **Patent No.:** **US D488,246 S**

(45) **Date of Patent:** **** Apr. 6, 2004**

(54) **DECORATIVE LAMP**

(75) Inventor: **Steve Lee**, Chicago, IL (US)

(73) Assignee: **LumiSource, Inc.**, Elk Grove Village, IL (US)

(**) Term: **14 Years**

(21) Appl. No.: **29/161,549**

(22) Filed: **May 31, 2002**

(51) **LOC (7) Cl.** **26-05**

(52) **U.S. Cl.** **D26/63; D26/67; D26/72**

(58) **Field of Search** **D26/72, 80-92, D26/141, 144, 155, 67, 71; 362/147, 150, 237, 404-406, 418, 430, 432, 806**

(56) **References Cited**

U.S. PATENT DOCUMENTS

D158,617 S	*	5/1950	Rosenberg	D26/63
D180,251 S	*	5/1957	Stiffel	D26/65
D205,719 S	*	9/1966	Pettengill	D26/69
D205,720 S	*	9/1966	Villa	D26/68
D263,509 S	*	3/1982	Heritage et al.	D26/63
D292,531 S	*	10/1987	Van Deelen	D26/87
D324,583 S	*	3/1992	Camino et al.	D26/67
D370,286 S	*	5/1996	Swanson	D26/63
D386,806 S	*	11/1997	Littman et al.	D26/87
D393,916 S	*	4/1998	Lee	D26/63
6,095,660 A	*	8/2000	Moriyama et al.	362/147

OTHER PUBLICATIONS

Home Lighting and Accessories, Jun. 2001, p. 145, "Malou Magnet" in right hand photograph.*

* cited by examiner

Primary Examiner—Clare E. Heflin

(74) *Attorney, Agent, or Firm*—Pauley Petersen Kinne & Erickson

(57) **CLAIM**

The ornamental design for a decorative lamp, as shown and described.

DESCRIPTION

FIG. 1 is a front view of a decorative lamp, according to this invention;

FIG. 2 is a side view of the decorative lamp, as shown in FIG. 1;

FIG. 3 is a top view of the decorative lamp, as shown in FIG. 1;

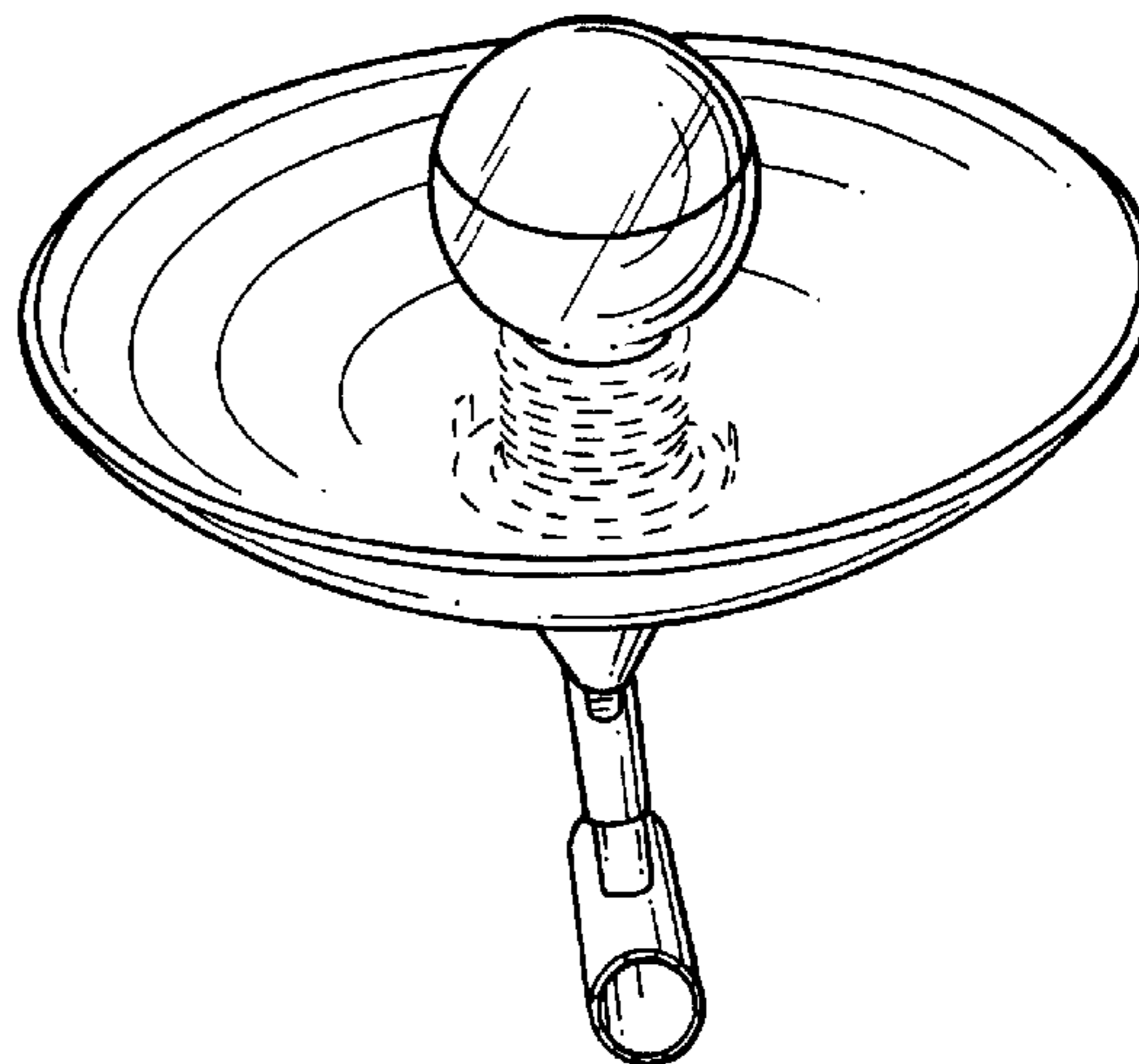
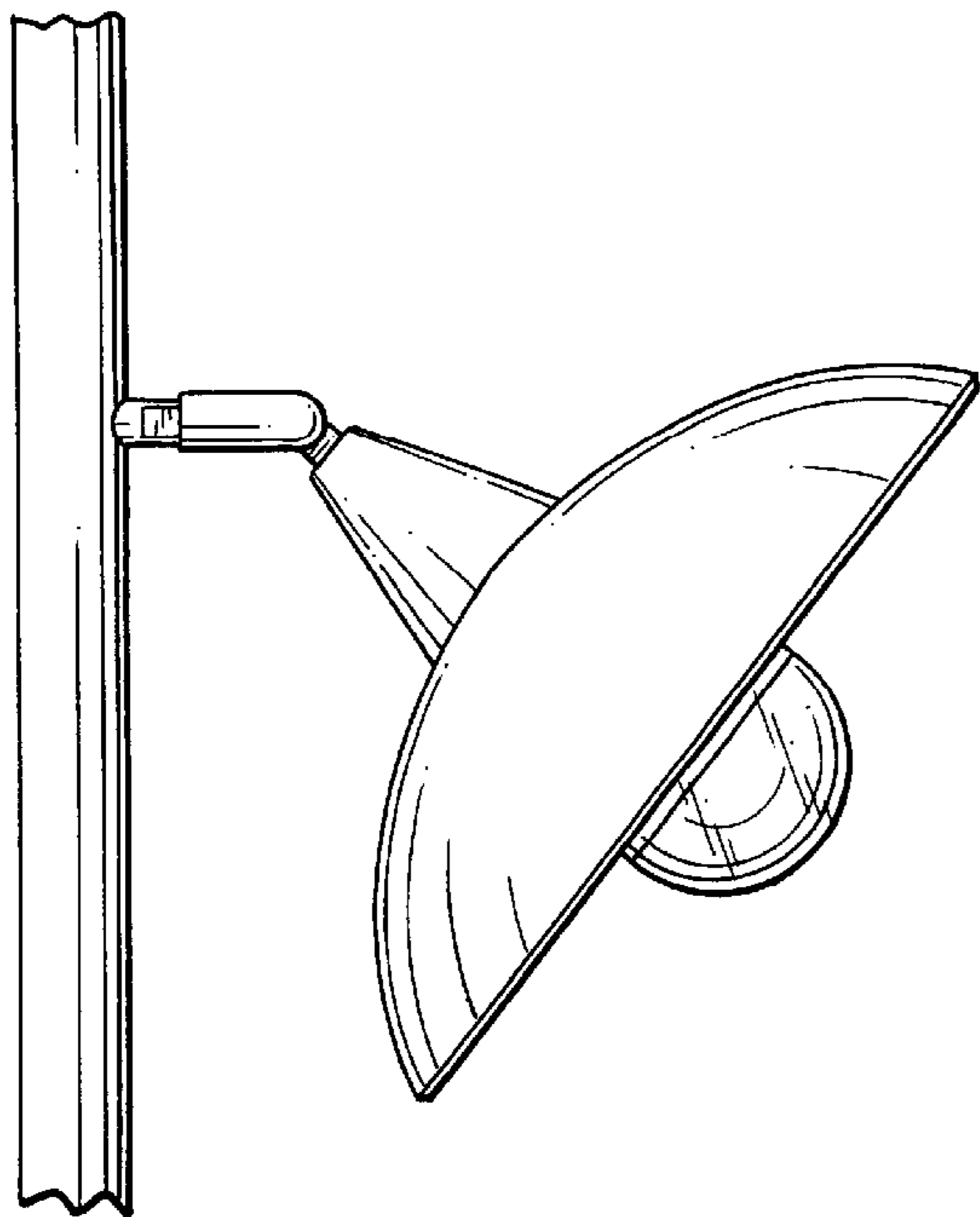
FIG. 4 is a bottom view of the decorative lamp, as shown in FIG. 1;

FIG. 5 is a rear view of the decorative lamp, as shown in FIG. 1; and,

FIG. 6 is a bottom perspective view of the decorative lamp, as shown in FIG. 1.

The broken lines shown on the drawings are for illustrative purposes only and form no part of the claimed design and the pole ends are shown broken-away to depict indeterminate length.

1 Claim, 6 Drawing Sheets



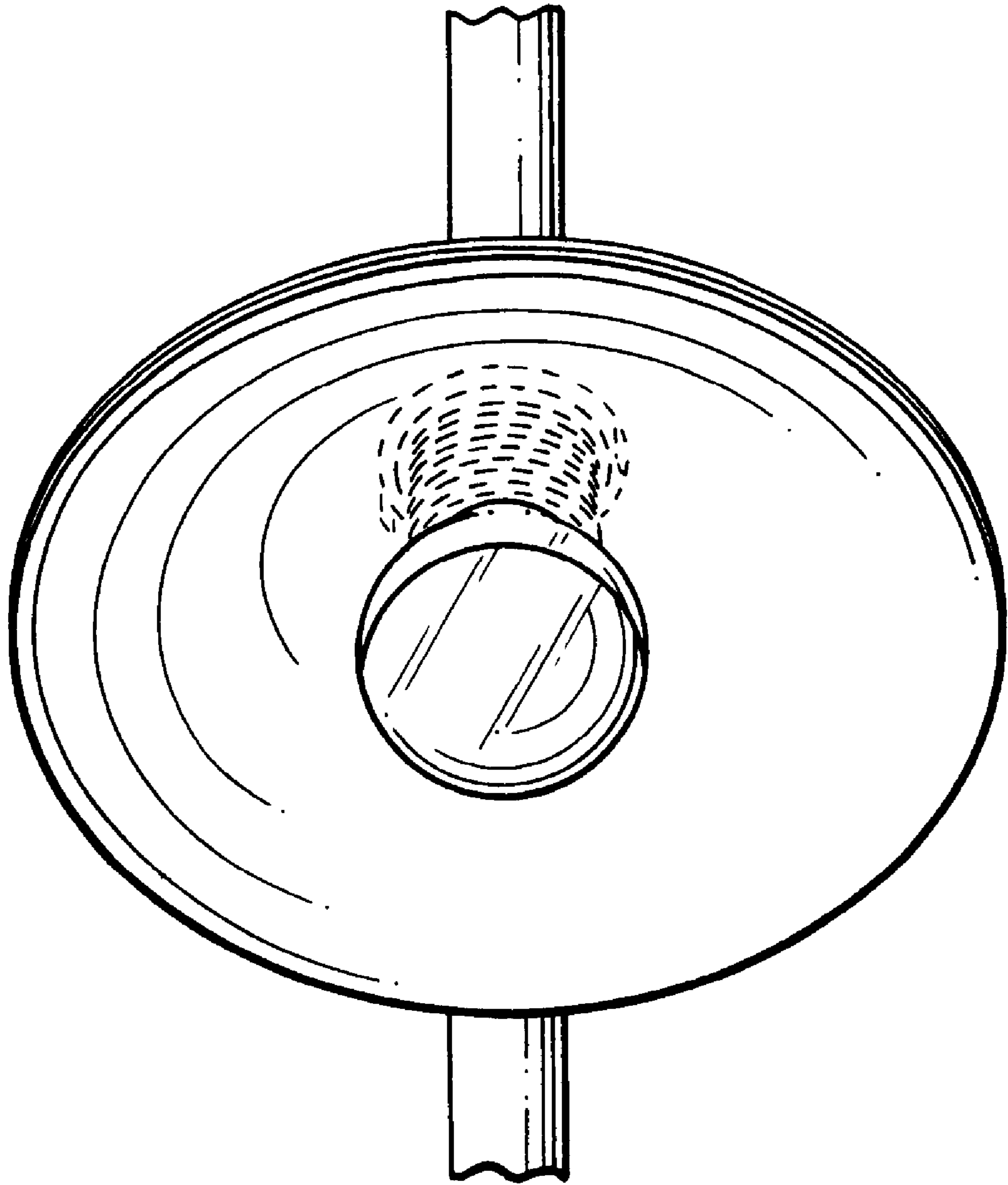


FIG. 1

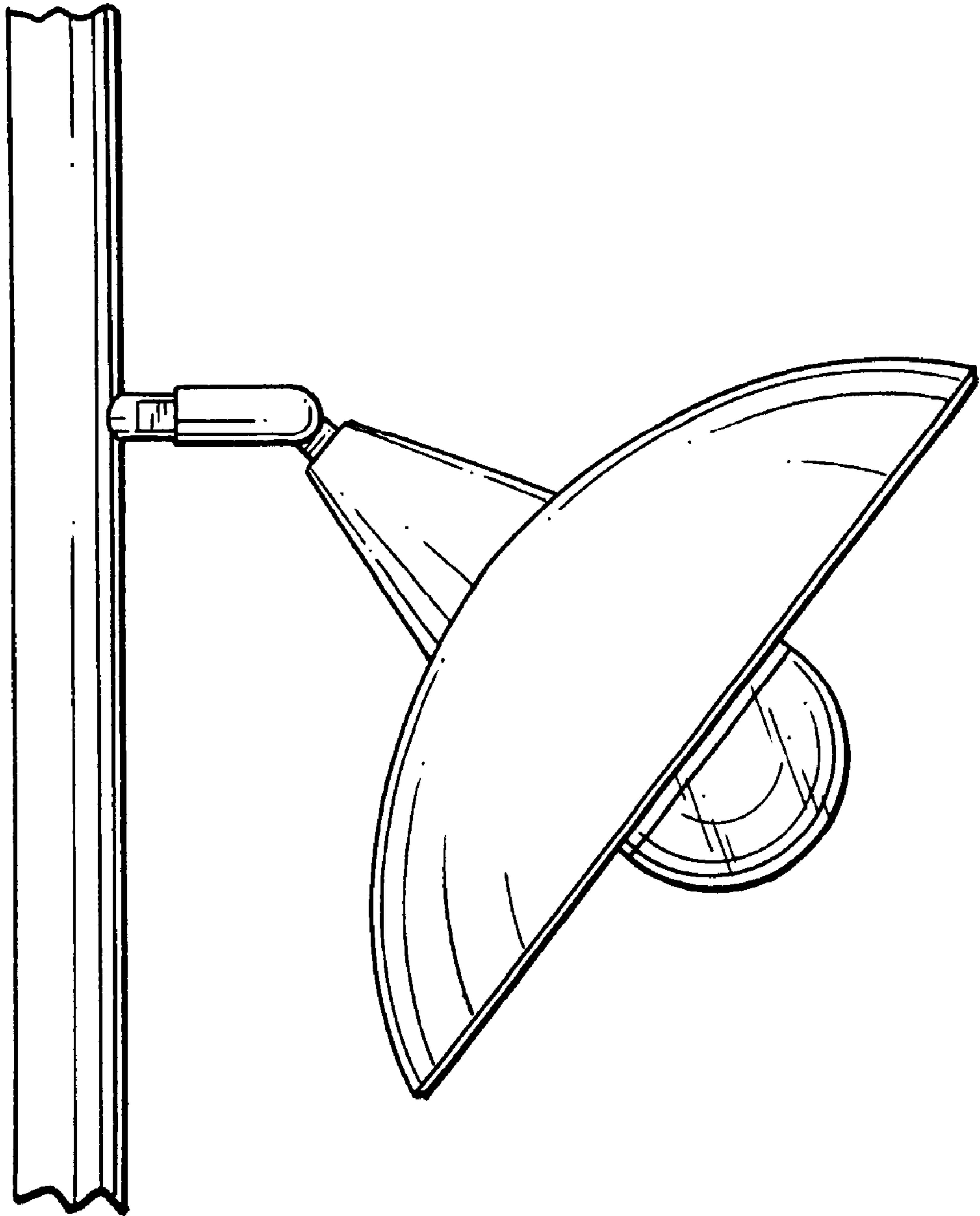


FIG. 2

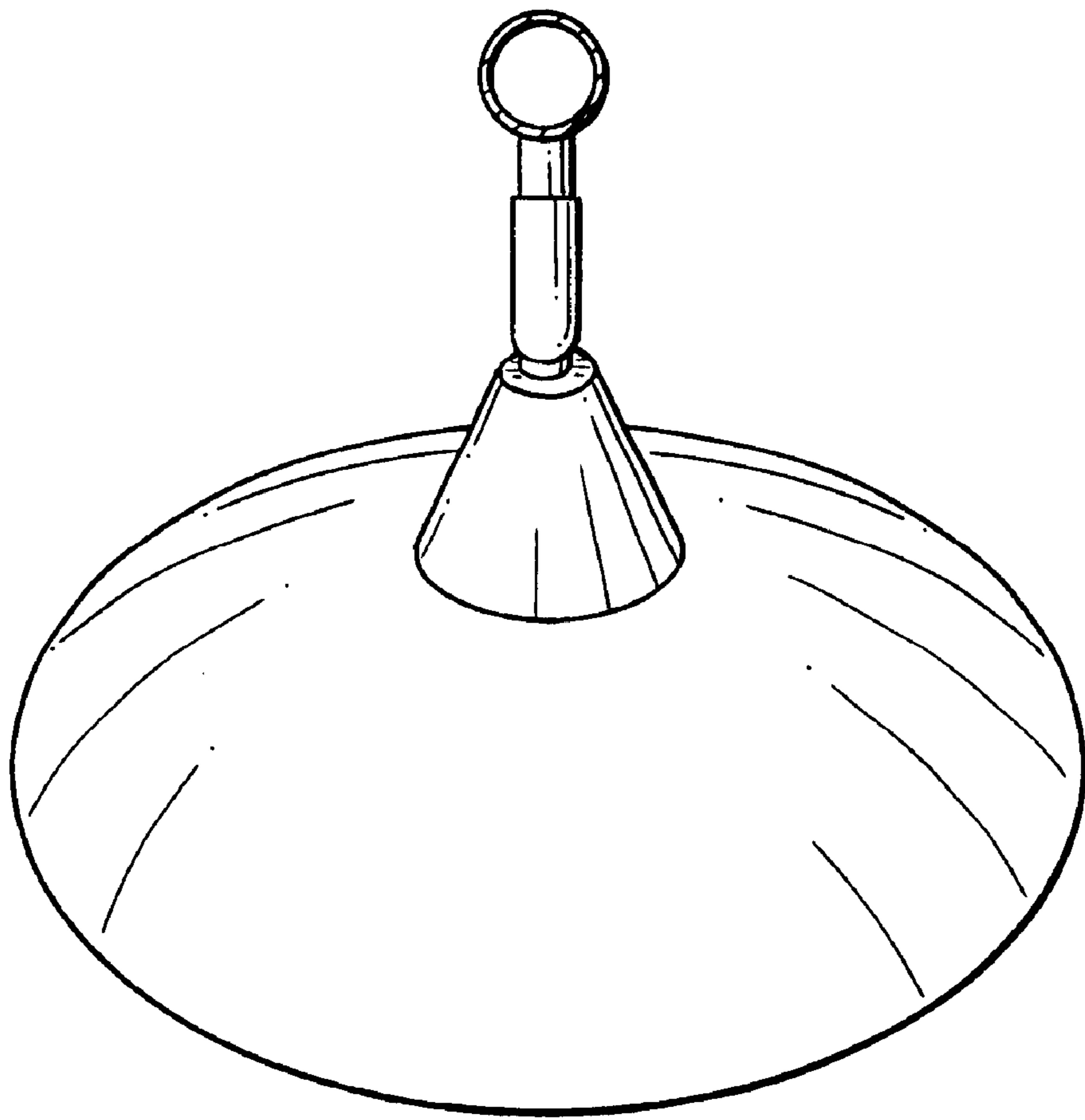


FIG. 3

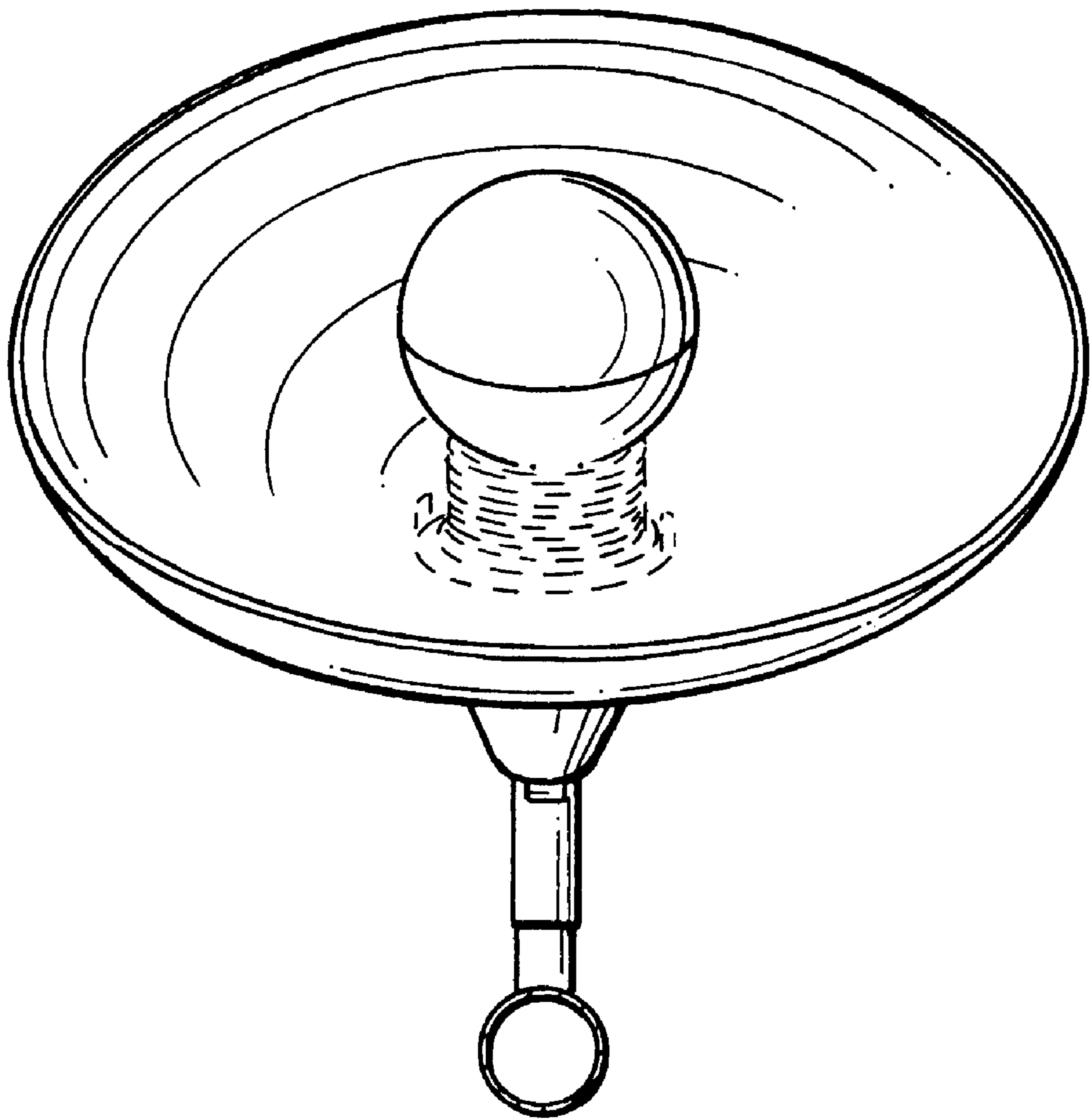


FIG. 4

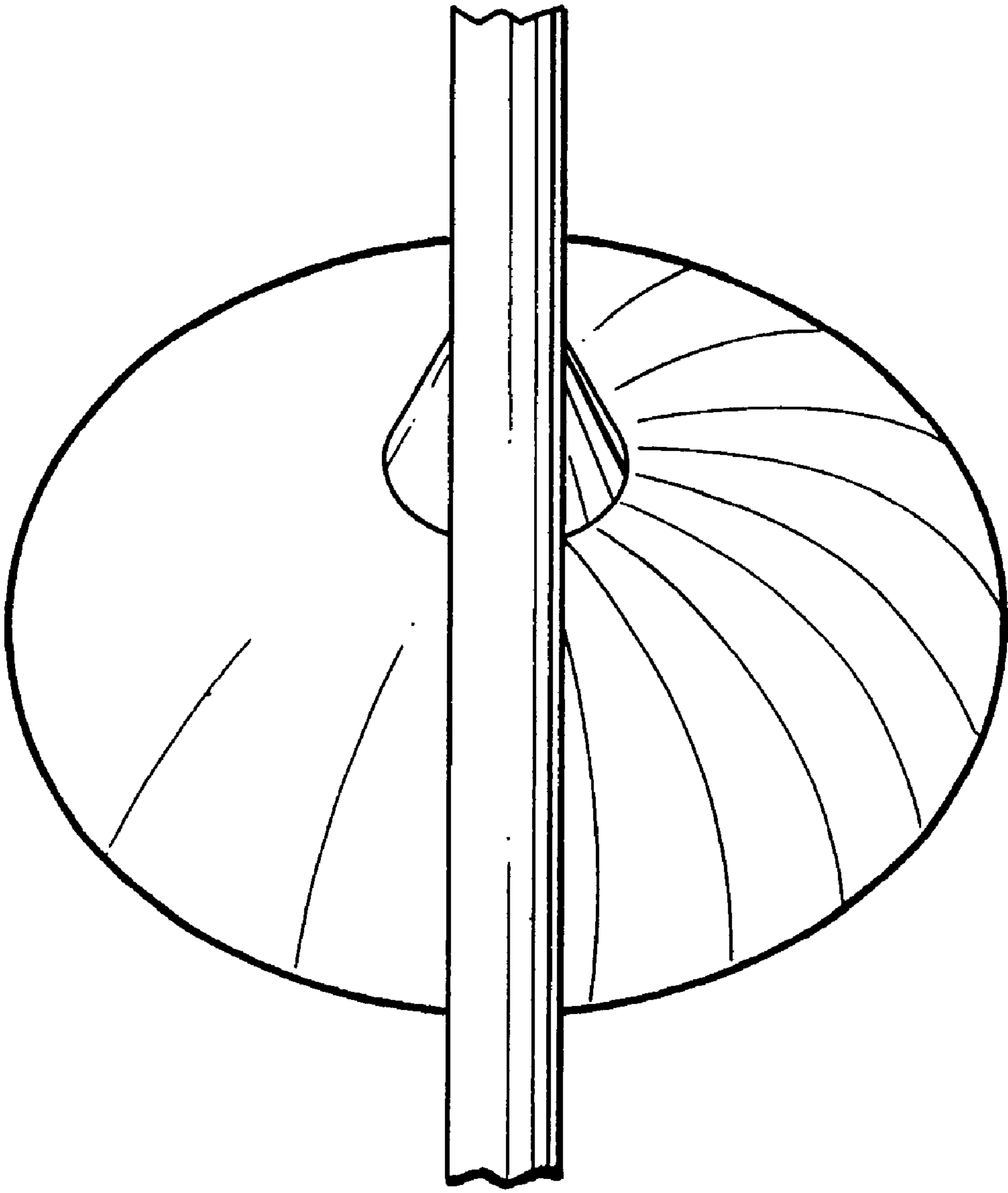


FIG. 5

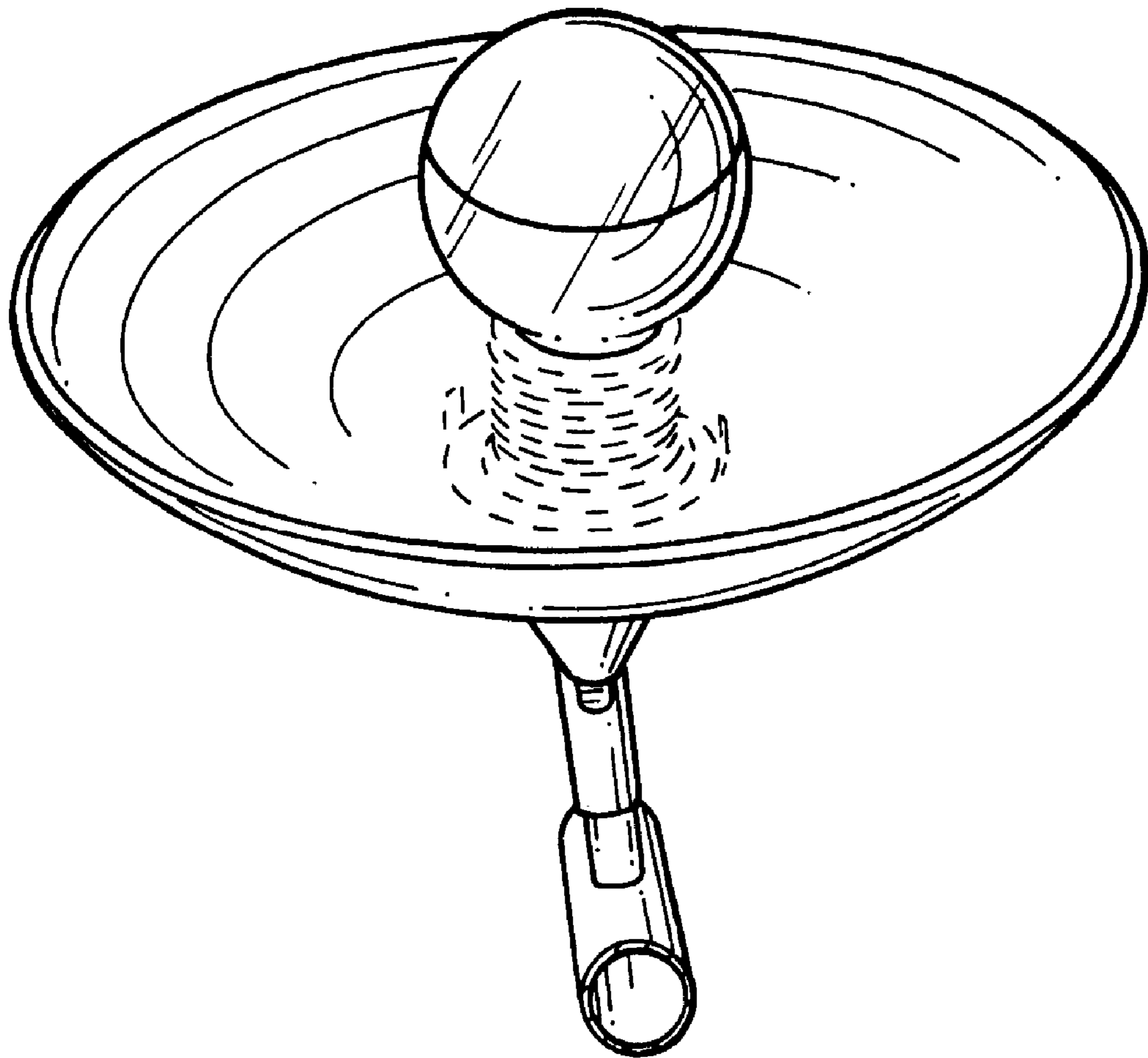


FIG. 6