



US00D488245S

(12) **United States Design Patent** (10) **Patent No.:** **US D488,245 S**
McDonald et al. (45) **Date of Patent:** **** Apr. 6, 2004**

(54) **FLASHLIGHT**

(75) Inventors: **Milly S. McDonald**, Dallas, TX (US);
Maria L. Bionde, Dallas, TX (US);
Ellis Hon Siu Cheong, Hong Kong (CN)

(73) Assignee: **The Brinkmann Corporation**, Dallas, TX (US)

(**) Term: **14 Years**

(21) Appl. No.: **29/089,977**

(22) Filed: **Jun. 26, 1998**

(51) **LOC (7) Cl.** **26-02**

(52) **U.S. Cl.** **D26/49**

(58) **Field of Search** D26/37-50; 362/157,
362/158, 171, 172, 173, 183-208

(56) **References Cited**

U.S. PATENT DOCUMENTS

| | | | |
|------------|----------|-----------------|--------------|
| D253,494 S | 11/1979 | Sit-Lae | |
| D263,170 S | 2/1982 | Maglica | |
| D297,828 S | 9/1988 | Bromley et al. | |
| D298,748 S | 11/1988 | Sharrah et al. | |
| D303,107 S | 8/1989 | Maglica et al. | |
| D308,109 S | 5/1990 | Maglica et al. | |
| D311,780 S | 10/1990 | Urquhart | |
| D342,333 S | 12/1993 | Maglica | |
| D345,958 S | 4/1994 | Keller et al. | |
| D348,112 S | 6/1994 | Maglica | |
| D351,245 S | 10/1994 | Maglica | |
| D353,217 S | 12/1994 | Maglica | |
| D363,361 S | 10/1995 | Maglica | |
| D367,721 S | 3/1996 | Maglica | |
| D413,401 S | * 8/1999 | McDonald et al. | D26/49 |

OTHER PUBLICATIONS

The Brinkmann Corporation 1997 Product Catalog, pp. 28-59.

Mag Instrument catalog, pp. 8 and 15, 1994.

Streamlight Catalog, pp. 3-7, 9-14, Jan., 1997.

Nordic brochure, 1997.

U.S. patent application Ser. No. 29/089,979, McDonald et al., filed Jun. 26, 1998, pending.

* cited by examiner

Primary Examiner—Susan J. Lucas

Assistant Examiner—Marcus A. Jackson

(74) *Attorney, Agent, or Firm*—Sheppard, Mullin, Richter & Hampton LLP

(57) **CLAIM**

We claim the ornamental design for a flashlight, as shown and described.

DESCRIPTION

FIG. 1 is a perspective view of a flashlight embodying our new design.

FIG. 2 is a left side elevational view thereof, which is a mirror image of the right side elevational view thereof and identical to the top and bottom plan views thereof.

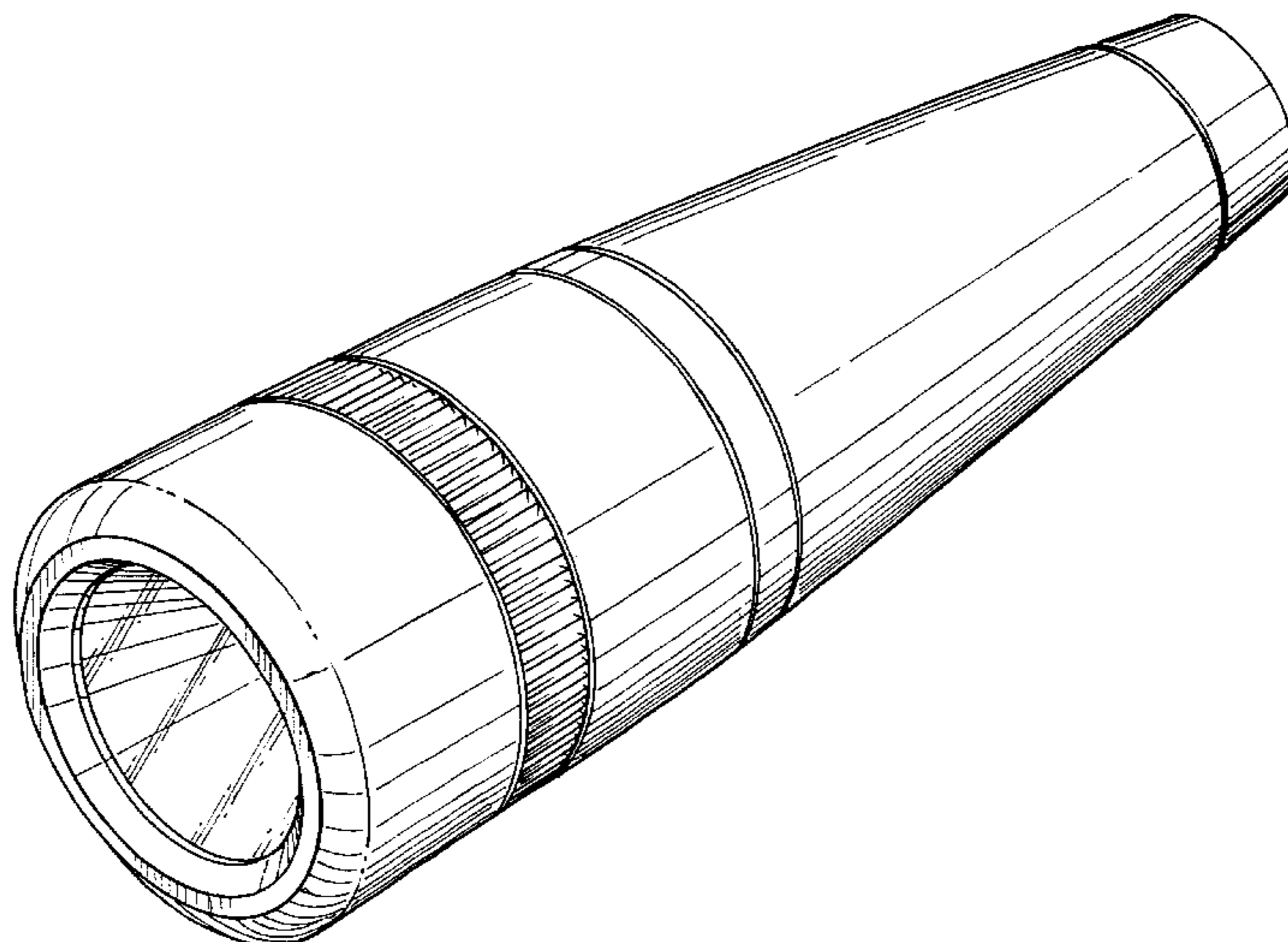
FIG. 3 is a front side elevational view thereof.

FIG. 4 is a rear side elevational view thereof.

FIG. 5 is a left side elevational view of a second embodiment of a flashlight embodying our new design, which is a mirror image of the right side elevational view thereof and identical to the top and bottom plan views thereof, the front and rear side elevational views being identical to the views of FIGS. 3 and 4, respectively; and,

FIG. 6 is a left side elevational view of a third embodiment of a flashlight embodying our new design, which is a mirror image of the right side elevational view thereof and identical to the top and bottom plan views thereof, the front and rear side elevational views being identical to the views of FIGS. 3 and 4, respectively.

1 Claim, 3 Drawing Sheets



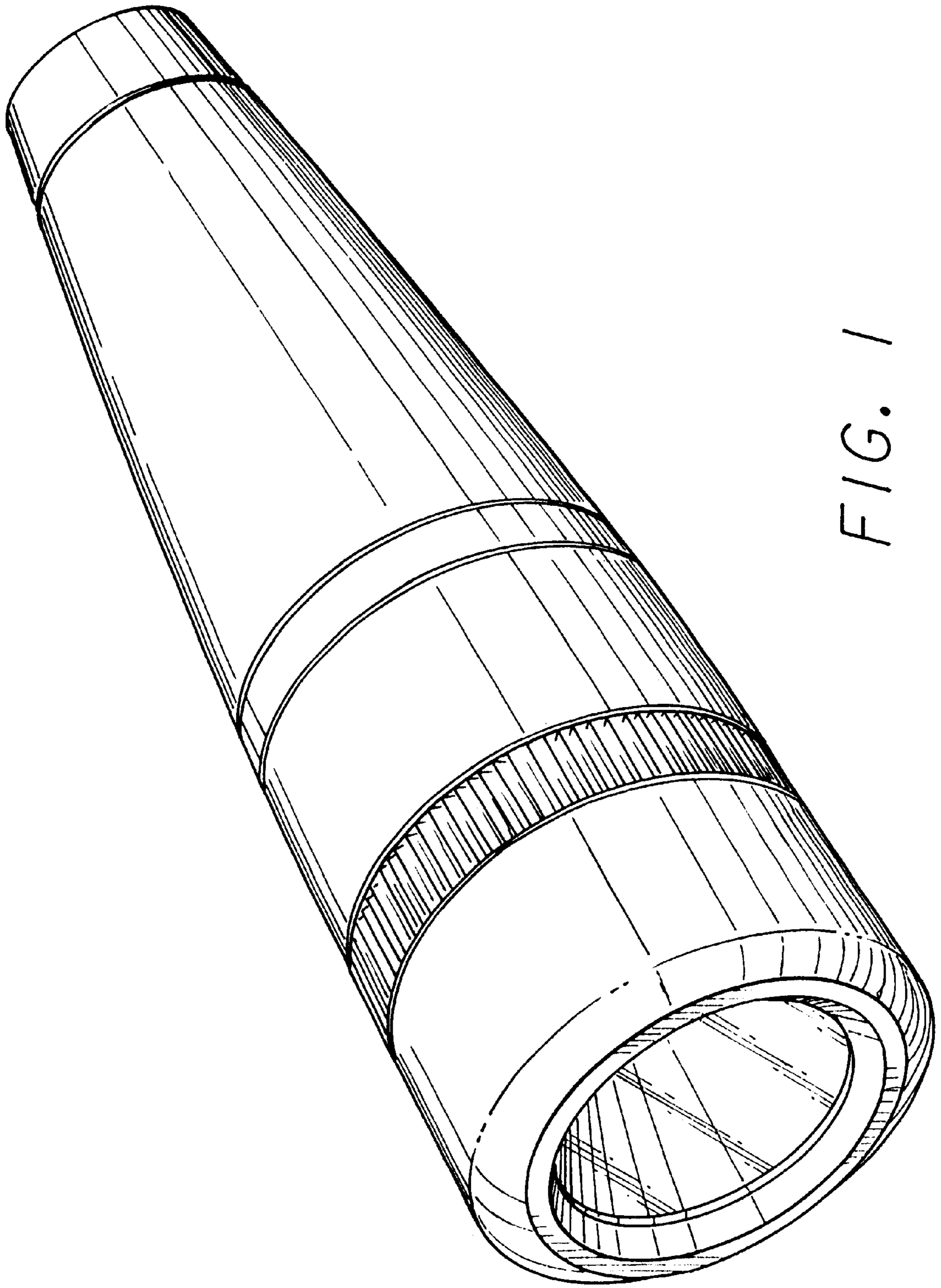


FIG. 1

FIG. 2

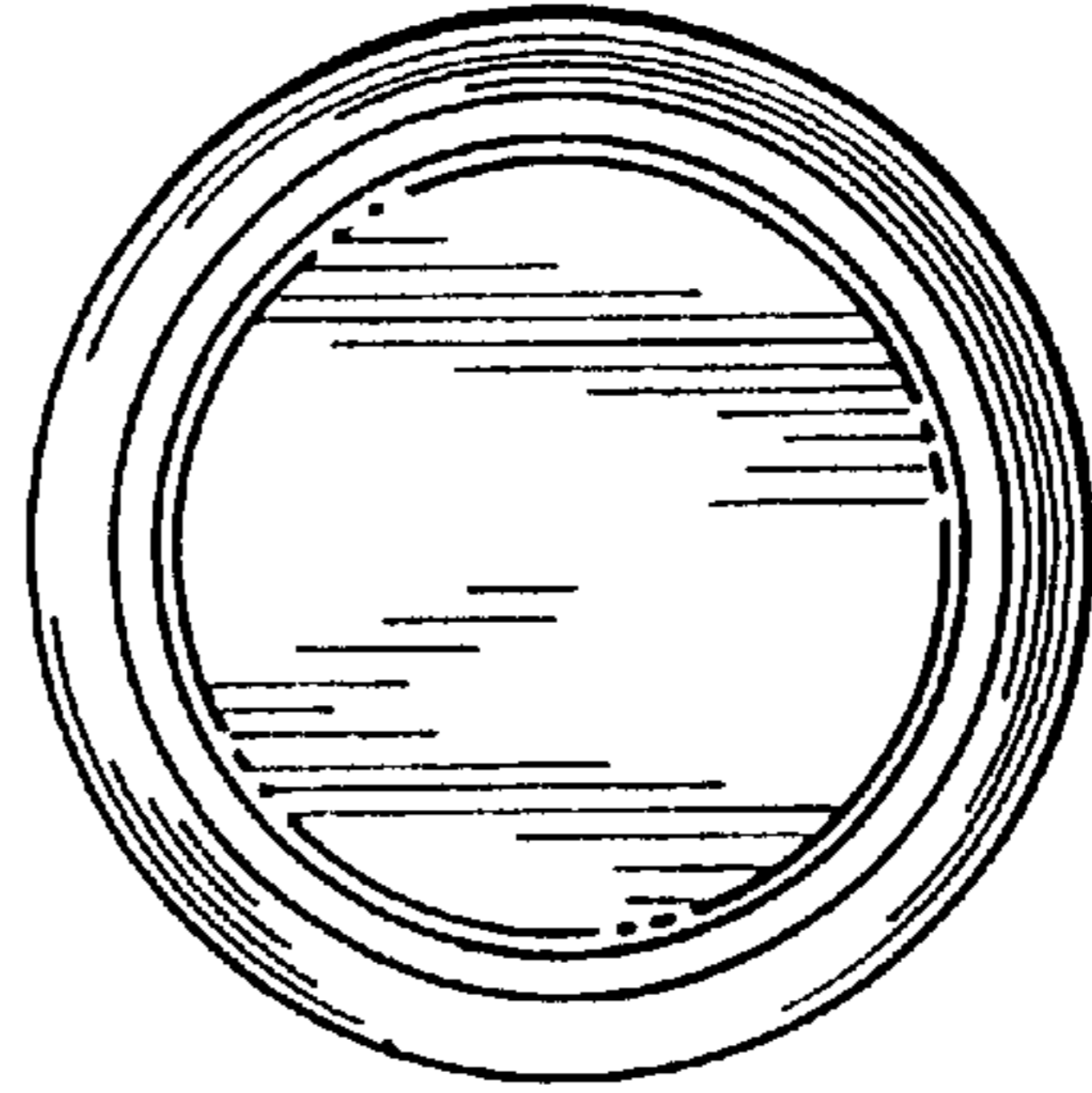
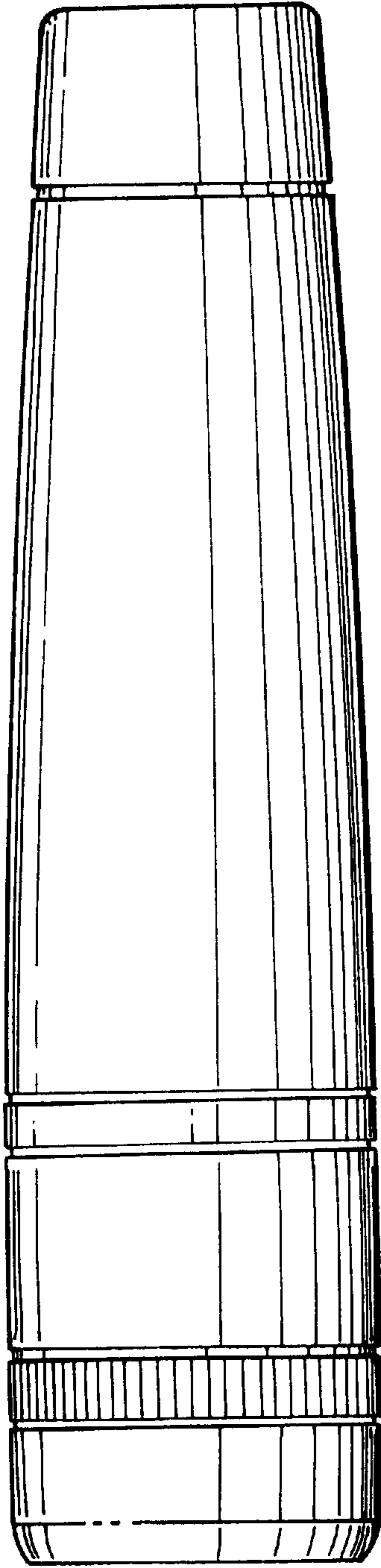


FIG. 4

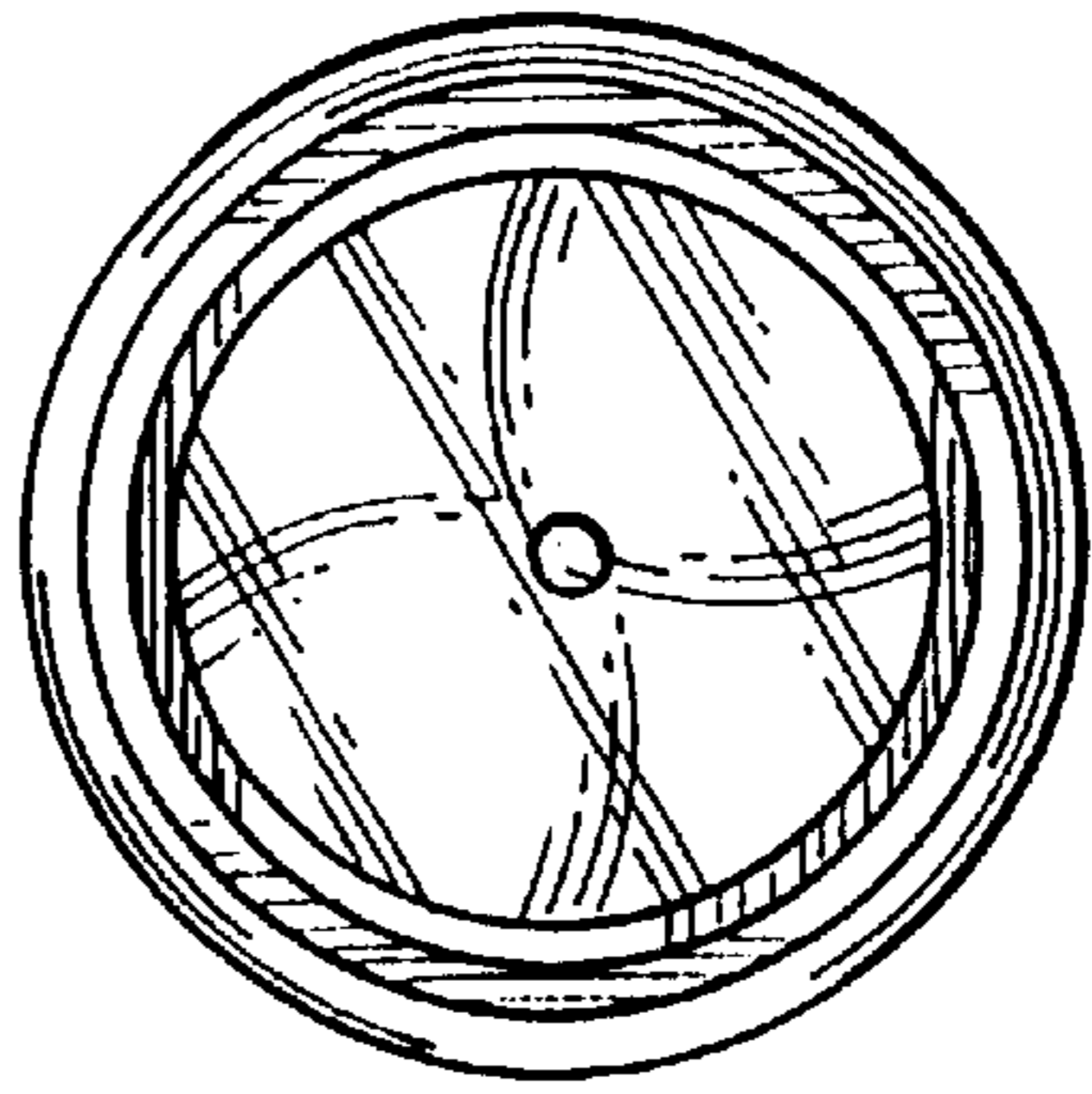


FIG. 3

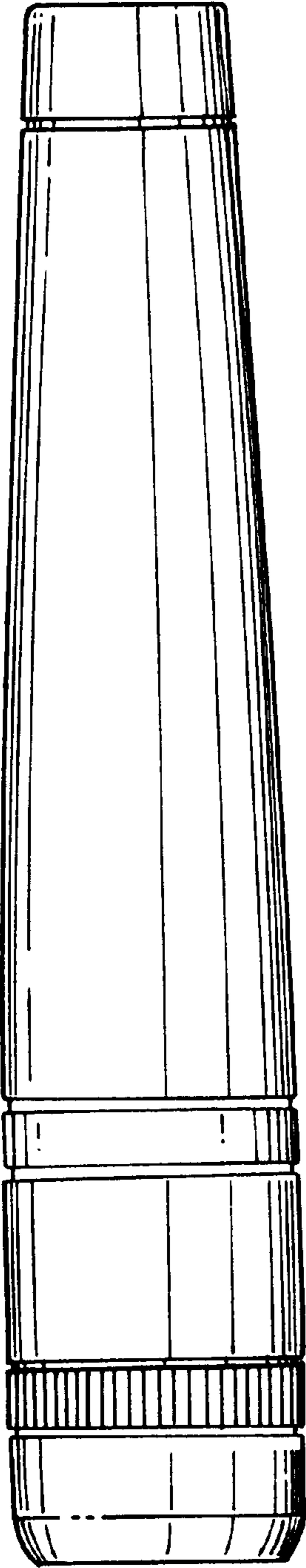


FIG. 5

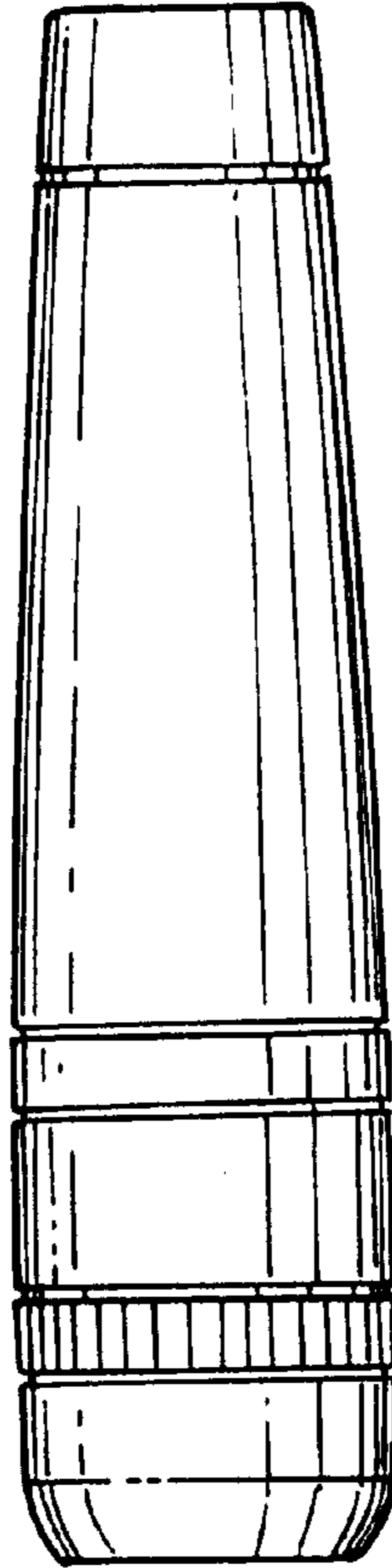


FIG. 6