



US00D488244S

(12) **United States Design Patent**
Schrader

(10) **Patent No.:** **US D488,244 S**

(45) **Date of Patent:** **** Apr. 6, 2004**

(54) **WINDOW COMPONENT EXTRUSION**

D410,290 S 5/1999 Gabriele

(75) Inventor: **Robert A. Schrader**, Puyallup, WA
(US)

* cited by examiner

(73) Assignee: **Mikron Industries, Inc.**, Kent, WA
(US)

Primary Examiner—Doris Clark

(74) *Attorney, Agent, or Firm*—Seed IP Law Group PLLC

(**) Term: **14 Years**

(57) **CLAIM**

The ornamental design for a window component extrusion,
as shown and described.

(21) Appl. No.: **29/156,924**

(22) Filed: **Mar. 8, 2002**

DESCRIPTION

(51) **LOC (7) Cl.** **25-01**

(52) **U.S. Cl.** **D25/121**

(58) **Field of Search** D25/121, 125,
D25/124; 52/204.1

FIG. 1 is a top right perspective view of the window
component extrusion which is broken in the center indicat-
ing indefinite length; and,

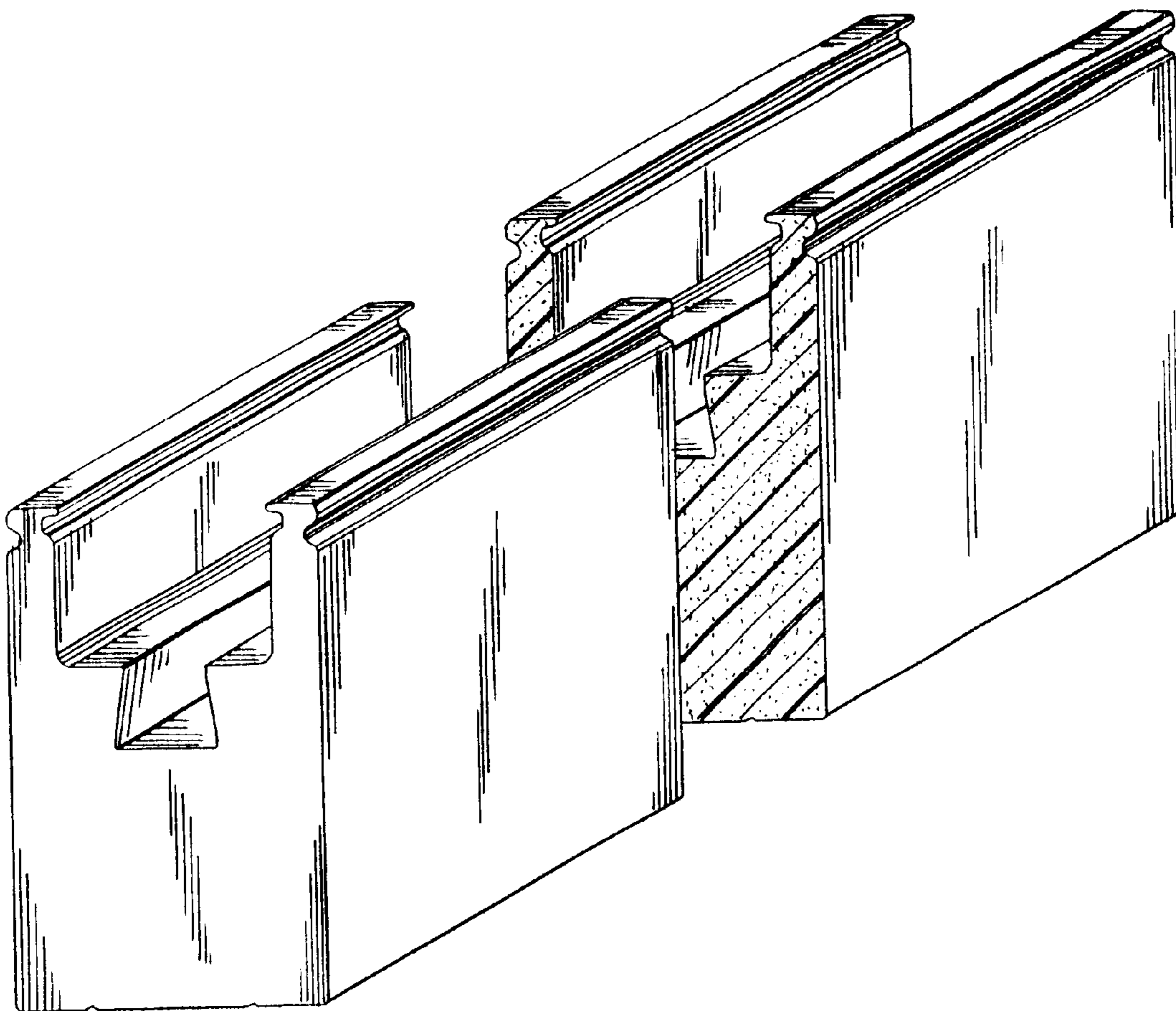
FIG. 2 is a bottom left perspective view of the window
component extrusion shown in FIG. 1.

(56) **References Cited**

U.S. PATENT DOCUMENTS

D350,612 S * 9/1994 Gullblom D25/121

1 Claim, 1 Drawing Sheet



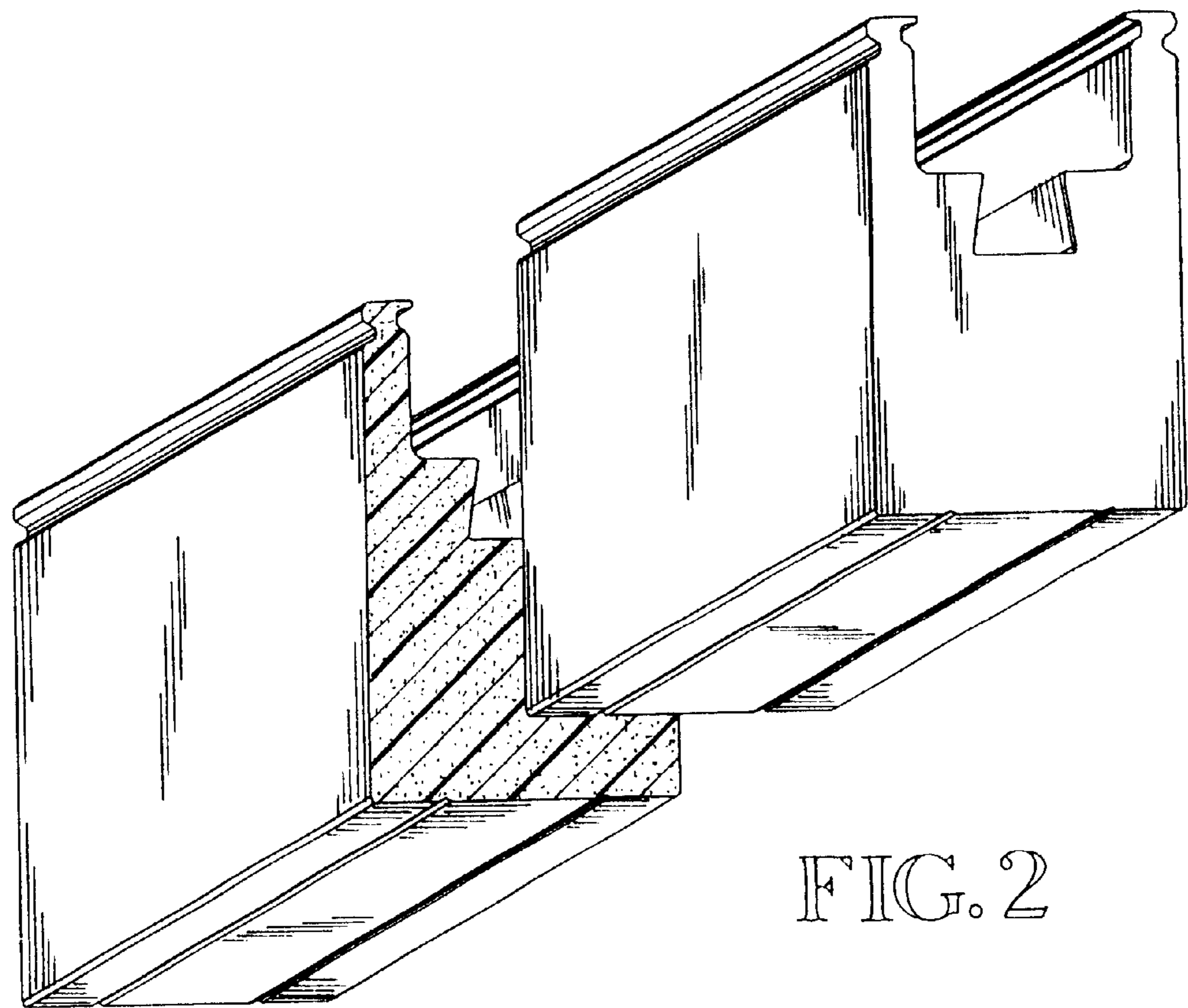
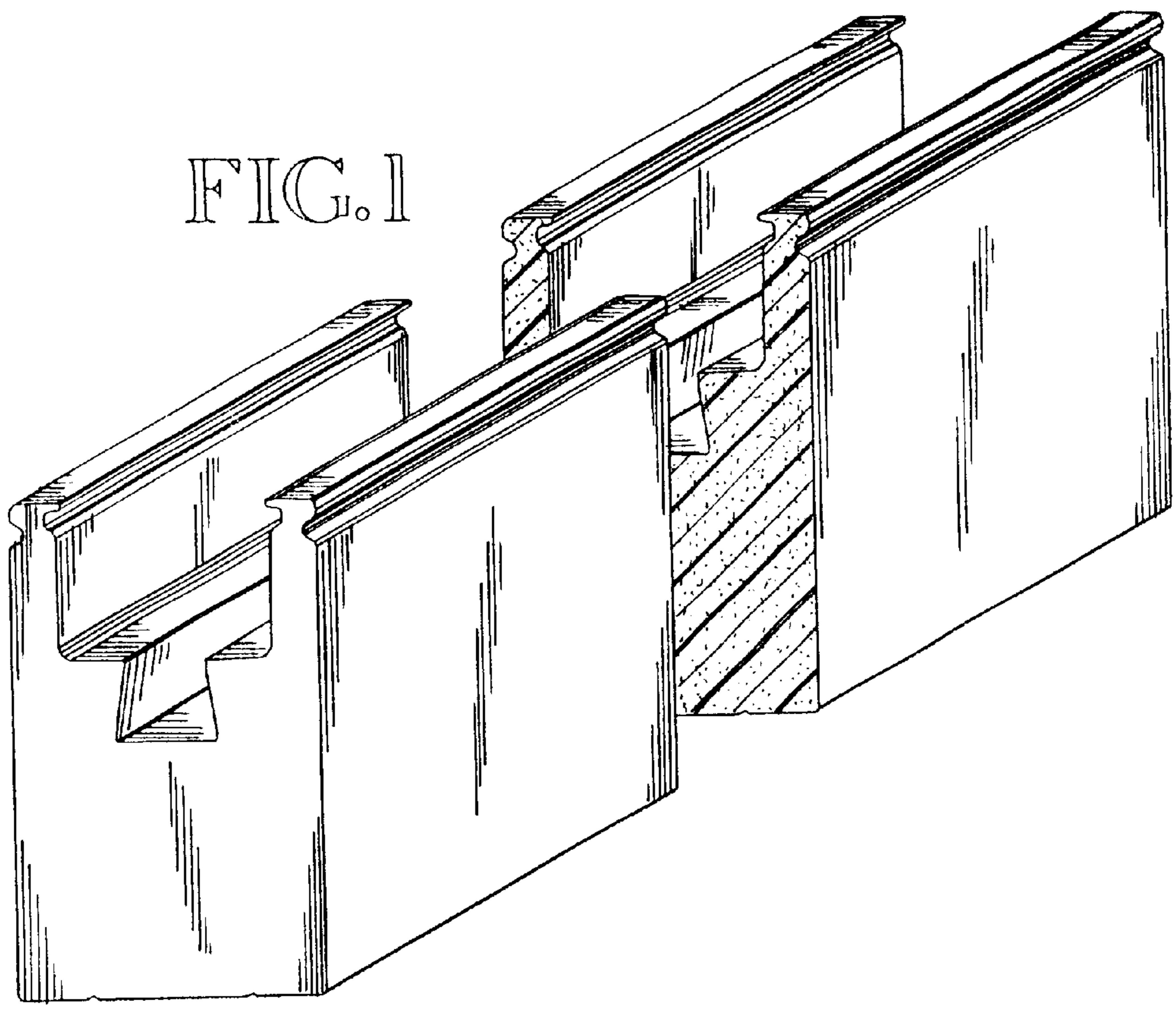


FIG. 2