



US00D488243S

(12) **United States Design Patent**
Babka et al.

(10) **Patent No.: US D488,243 S**

(45) **Date of Patent: ** *Apr. 6, 2004**

(54) **DOOR SILL PORTION**

(75) Inventors: **Brian John Babka**, Hudson, WI (US);
Joseph Guy Reithmeyer, Afton, MN
(US); **Todd William Bruchu**, Lake
Elmo, MN (US)

(73) Assignee: **Andersen Corporation**, Bayport, MN
(US)

(*) Notice: This patent is subject to a terminal dis-
claimer.

(**) Term: **14 Years**

(21) Appl. No.: **29/178,353**

(22) Filed: **Mar. 24, 2003**

Related U.S. Application Data

(63) Continuation of application No. 29/144,635, filed on Jul. 6,
2001, now Pat. No. Des. 474,844.

(51) **LOC (7) Cl. 25-01**

(52) **U.S. Cl. D25/119**

(58) **Field of Search D25/119, 48, 199;**
49/475.1, 467, 407, 411; 52/204.5

(56) **References Cited**

U.S. PATENT DOCUMENTS

220,460 A	10/1879	York
364,434 A	6/1887	Pittmon
582,451 A	5/1897	Brannon
1,795,853 A	3/1931	Glass
3,633,316 A	1/1972	Belser
3,762,100 A	10/1973	Kempel
3,900,967 A	8/1975	Bursk et al.
3,967,412 A	7/1976	Goevernale
4,006,562 A	2/1977	Belanger et al.
4,047,751 A	9/1977	Koike

(List continued on next page.)

FOREIGN PATENT DOCUMENTS

GB 1048101 11/1966

Primary Examiner—Doris Clark

(74) *Attorney, Agent, or Firm*—Womble Carlyle Sandridge
& Rice, PLLC

(57) **CLAIM**

The ornamental design for a door sill portion, as shown and
described.

DESCRIPTION

FIG. 1 is a perspective view of the top, side and front of a
first embodiment of the new design.

FIG. 2 is a left side elevation view of a first embodiment of
the new design. The right side elevation view of the first
embodiment is a mirror image of the left side elevation view.

FIG. 3 is a front elevation view of a first embodiment of the
new design.

FIG. 4 is a top plan view of a first embodiment of the new
design. No claim is made to ornamentation on the rear
elevation view or bottom plan view so these views are not
shown.

FIG. 5 is a perspective view of the top, side and front of a
second embodiment of the new design. In the second
embodiment, no tread pattern is shown on the top, front
portion of the door sill.

FIG. 6 is a left side elevation view of a second embodiment
of the new design. The right side view of the second
embodiment is a mirror image of the left side view.

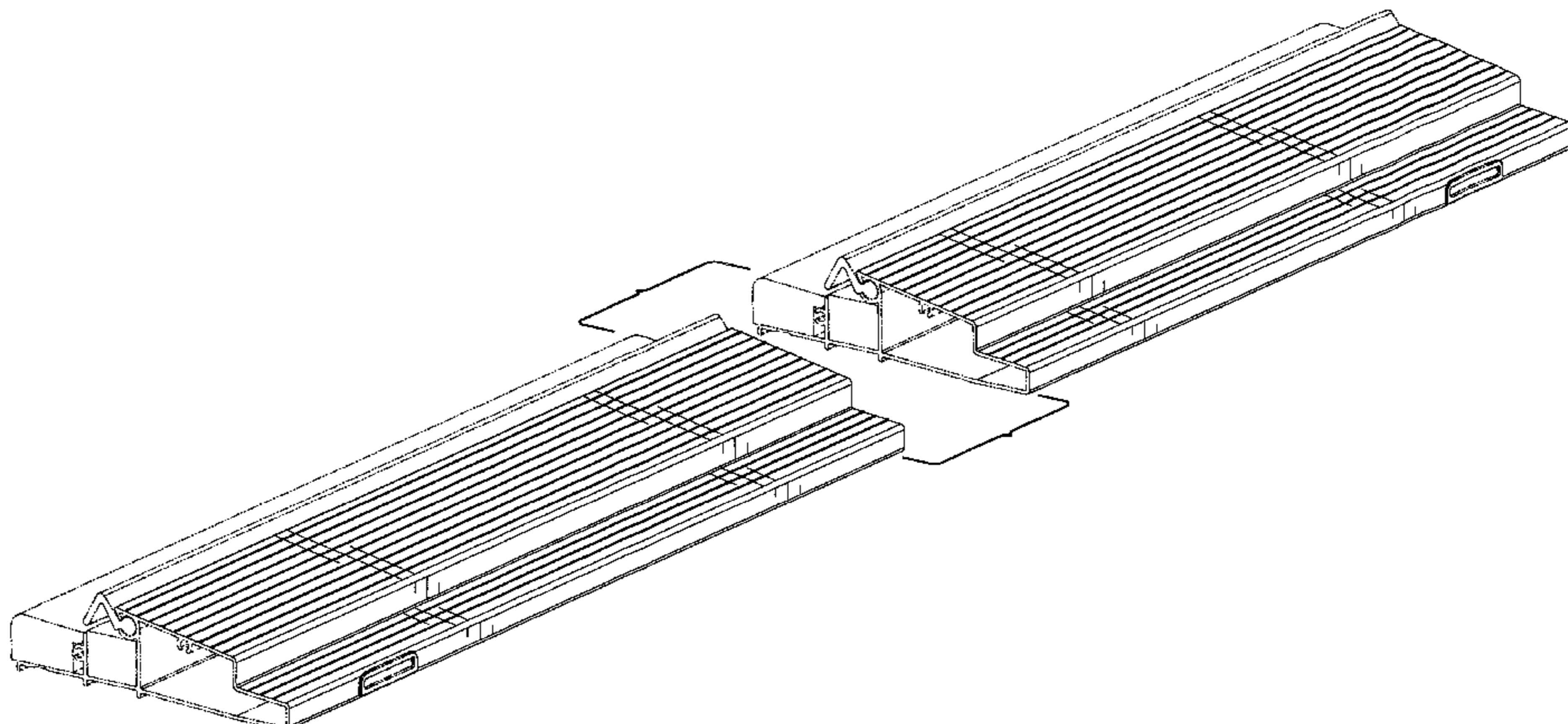
FIG. 7 is a front elevation view of a second embodiment of
the new design; and,

FIG. 8 is a top plan view of a second embodiment of the new
design. No claim is made to ornamentation on the rear
elevation view or bottom plan view so these views are not
shown.

Draining hole covers on the front of the sill portion are
shown in broken lines in the views of the first and second
embodiments of the new design.

The broken lines are for illustrative purposes only and form
no part of the claimed design. The brackets indicate that the
precise length of the door sill portion is not claimed.

1 Claim, 8 Drawing Sheets



US D488,243 S

Page 2

U.S. PATENT DOCUMENTS					
			4,626,026 A	12/1986	Hasegawa
			4,628,639 A	12/1986	Lownsdale
			4,686,793 A	8/1987	Mills
			4,716,683 A	1/1988	Minter
			4,726,147 A	2/1988	Besket et al.
			4,807,923 A	2/1989	Nakamura
			4,825,507 A	5/1989	Killingstad
			4,831,779 A	5/1989	Kehrli et al.
			4,919,471 A	4/1990	Seino et al.
			D354,572 S	1/1995	Headrick D25/48
			5,611,173 A	3/1997	Headrick et al. 49/468
			6,122,864 A	9/2000	Martin
			6,138,413 A	10/2000	Fehr
			6,161,343 A	12/2000	Young
4,055,917 A	11/1977	Coller			
4,060,272 A	11/1977	Mori			
4,074,464 A	2/1978	McCay			
4,224,766 A	9/1980	Procton			
4,237,664 A	12/1980	Wilmes			
4,255,902 A	3/1981	Ruff			
4,287,684 A	9/1981	McKann			
4,290,233 A	9/1981	Hubbard			
4,310,991 A	1/1982	Seely			
4,352,258 A	10/1982	Bursk et al.			
4,492,405 A	1/1985	Chikaraishi et al.			
4,496,186 A	1/1985	Tuchiya et al.			
4,513,536 A	4/1985	Giguere			
4,549,761 A	10/1985	Lee et al.			

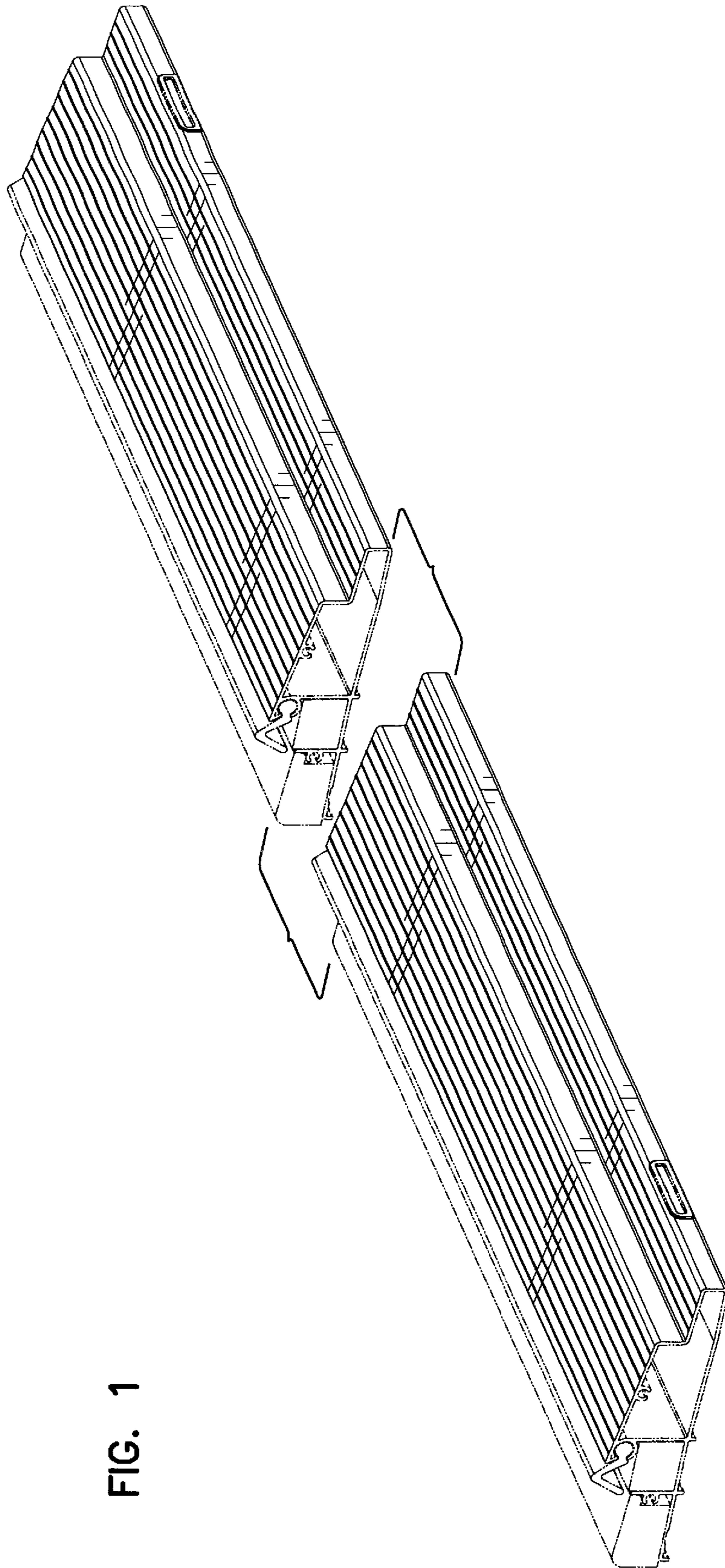


FIG. 1

FIG. 2

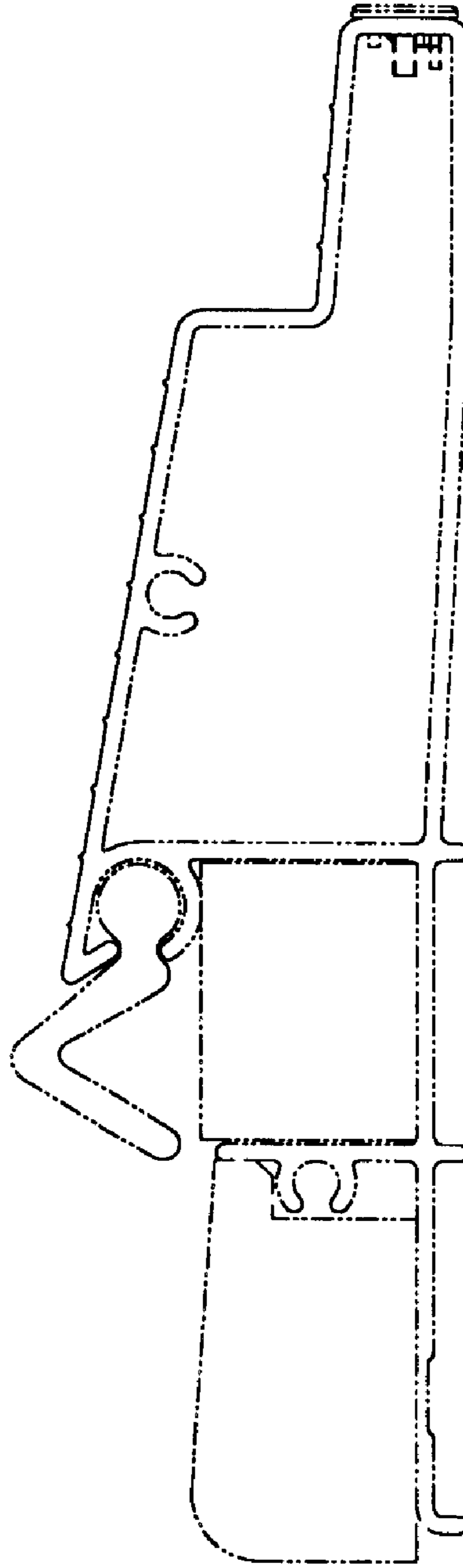
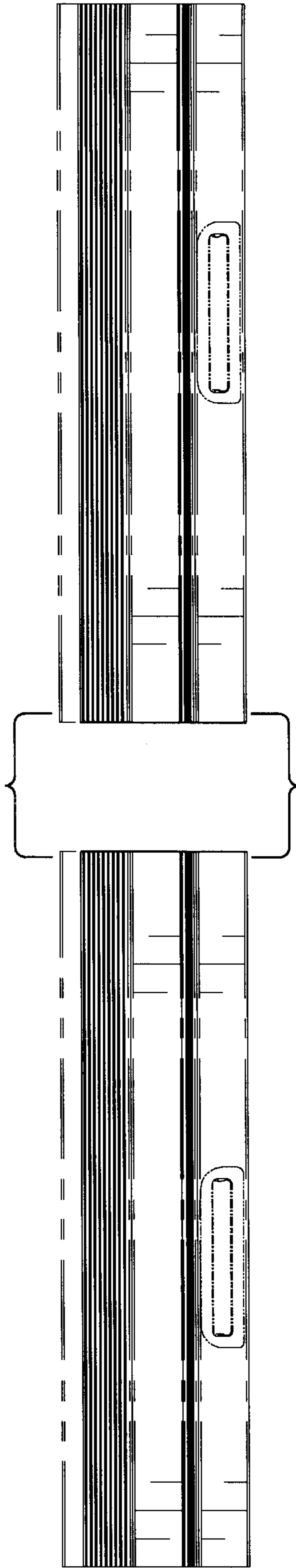
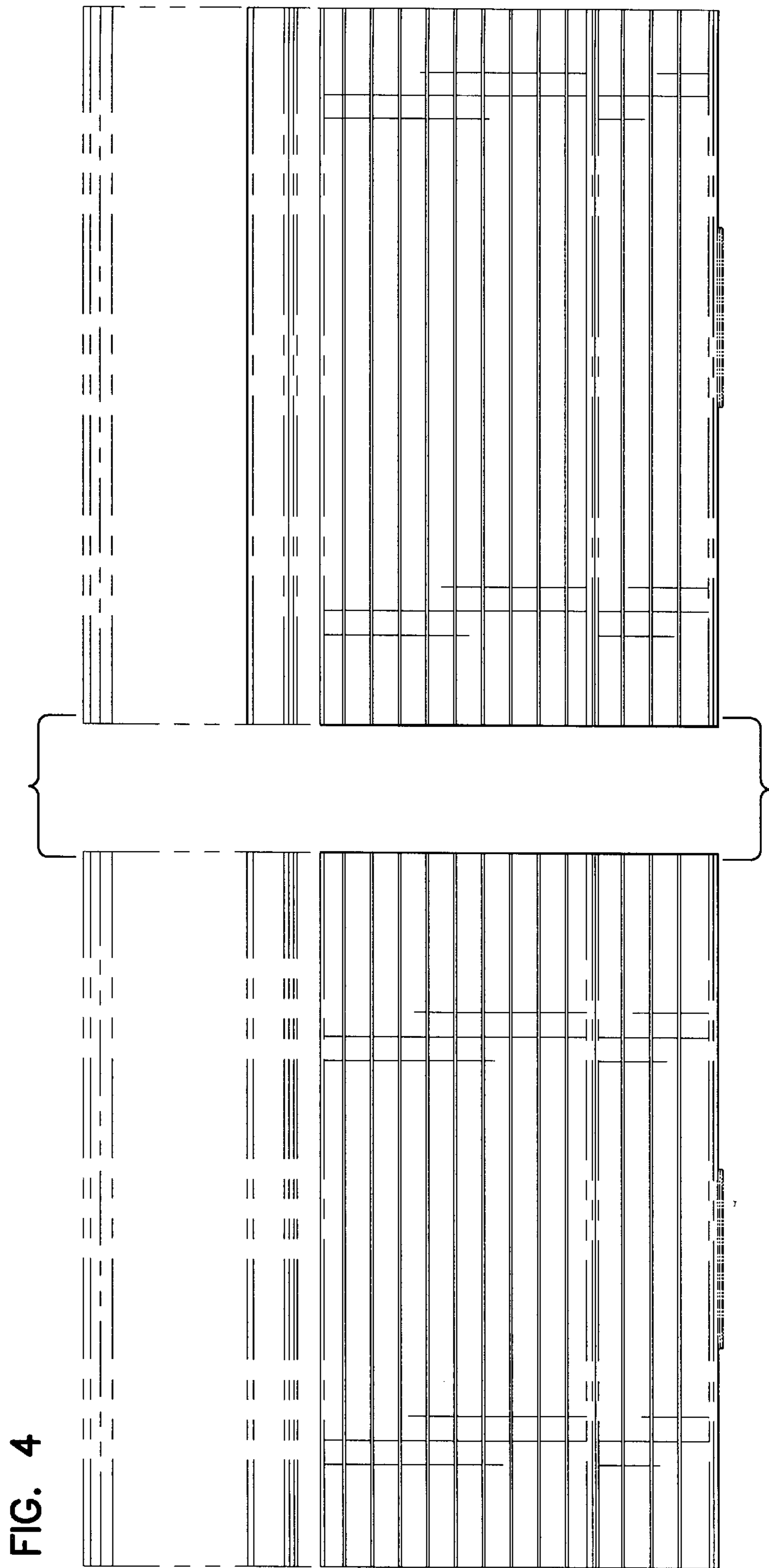


FIG. 3





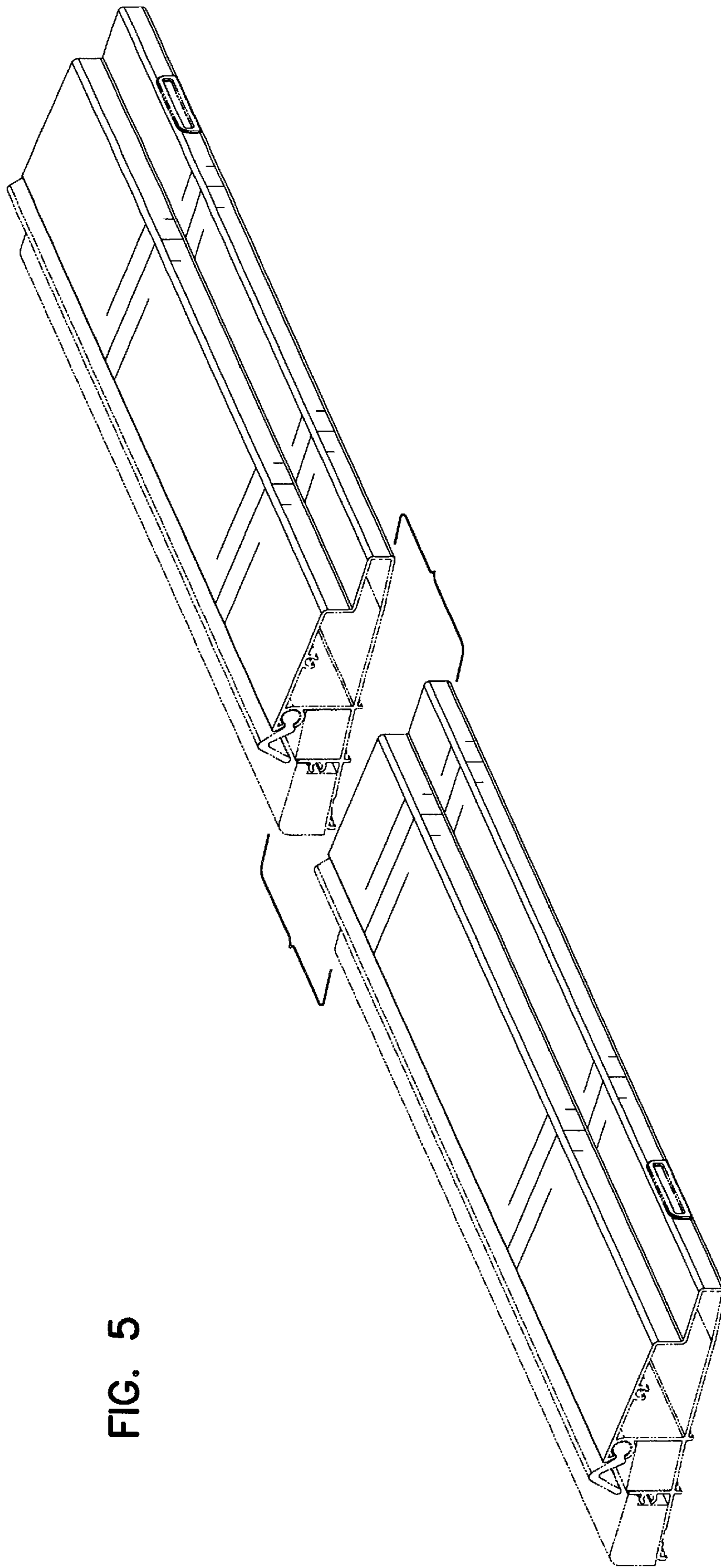
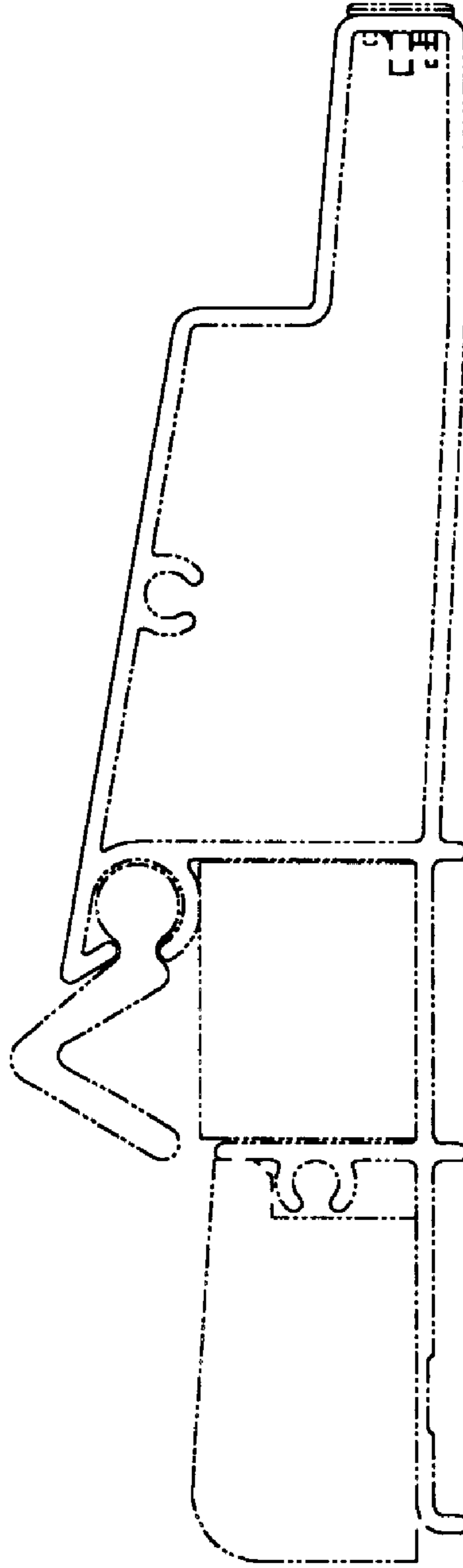


FIG. 5

FIG. 6



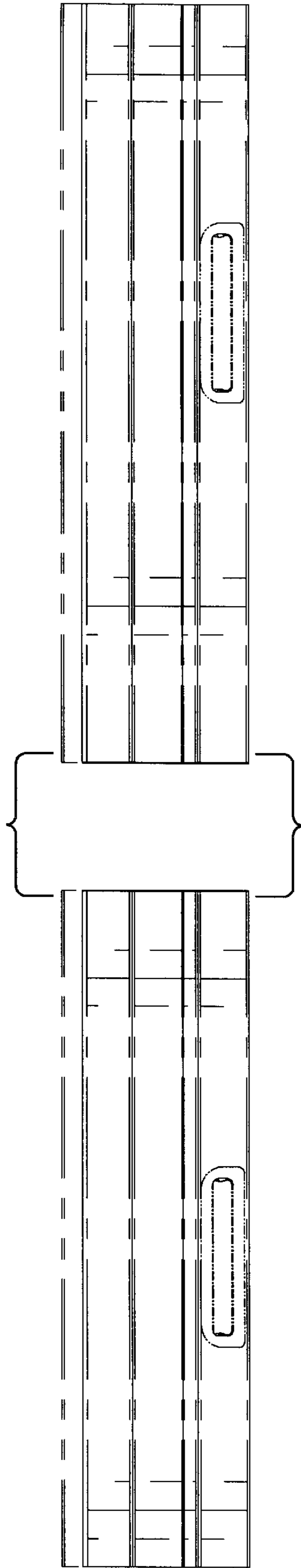


FIG. 7

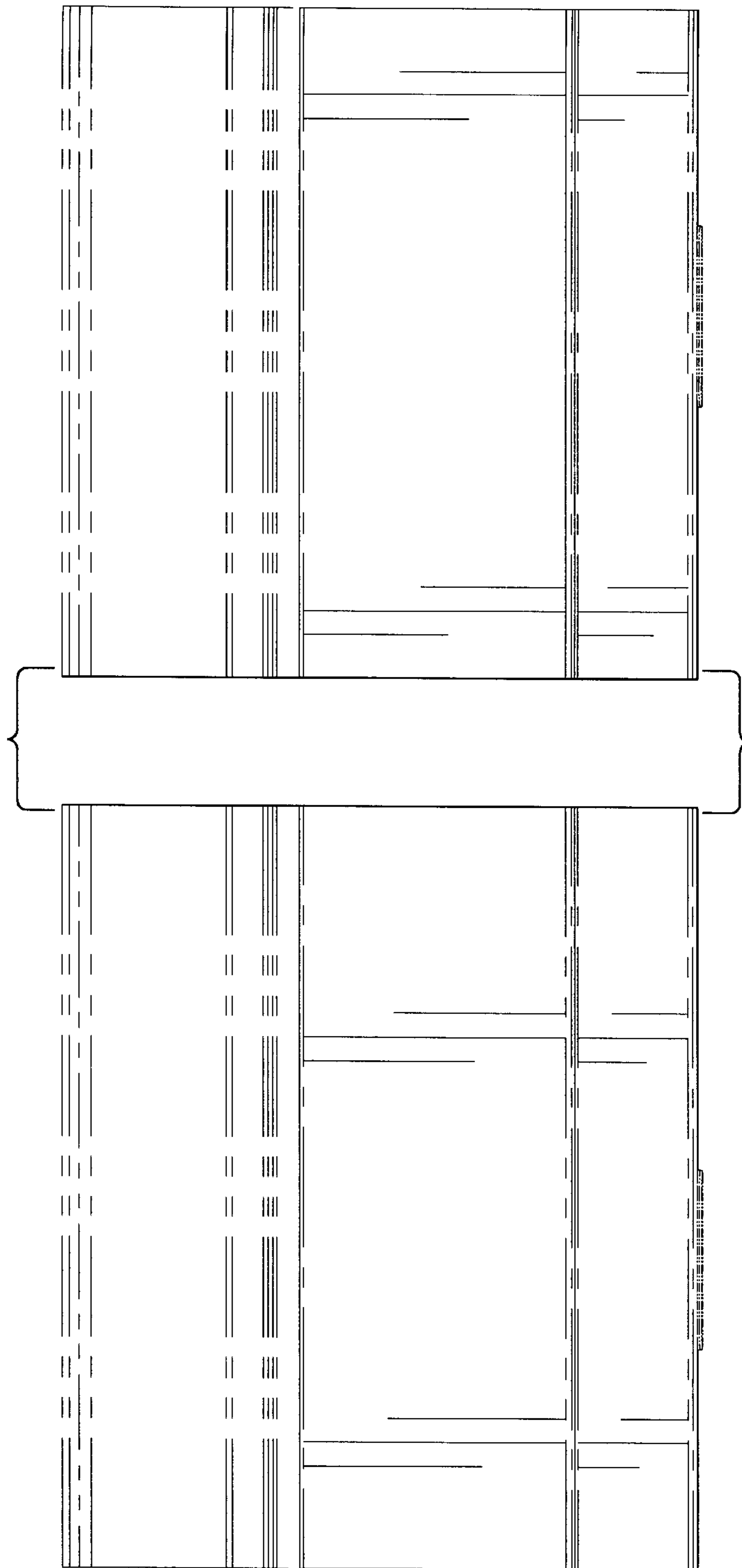


FIG. 8