



US00D488233S

(12) **United States Design Patent**  
**Ellsworth et al.**

(10) **Patent No.:** **US D488,233 S**

(45) **Date of Patent:** **\*\* Apr. 6, 2004**

(54) **STERILE PROCESSING UNIT**

(75) Inventors: **James R. Ellsworth**, Marshfield, MA (US); **Ian M. Kay**, Amherst, NH (US)

(73) Assignee: **Harvest Technologies Corporation**, Plymouth, MA (US)

(\*\*) Term: **14 Years**

(21) Appl. No.: **29/170,556**

(22) Filed: **Nov. 8, 2002**

(51) **LOC (7) Cl.** ..... **24-02**

(52) **U.S. Cl.** ..... **D24/216; D24/224**

(58) **Field of Search** ..... D24/217, 129, D24/127, 164, 169, 162, 224, 216; 422/102, 104, 940, 946, 939, 63; 215/247

(56) **References Cited**

**U.S. PATENT DOCUMENTS**

4,617,012 A \* 10/1986 Vaillancourt ..... D24/129  
D323,709 S \* 2/1992 Wyatt et al. .... D24/129

D463,864 S \* 10/2002 Treadwell et al. .... D24/224  
6,616,894 B2 \* 9/2003 Lappe et al. .... 422/102  
2002/0130100 A1 \* 9/2002 Smith ..... 215/247

\* cited by examiner

*Primary Examiner*—Ian Simmons

(74) *Attorney, Agent, or Firm*—Clark & Brody

(57) **CLAIM**

The ornamental design for a sterile processing unit, as shown and described.

**DESCRIPTION**

FIG. 1 is a perspective view of a sterile processing unit showing our new design.

FIG. 2 is a top plan view thereof.

FIG. 3 is an elevation view of the left side thereof. The right side elevation is a mirror image of FIG. 3; and,

FIG. 4 is a front elevation view thereof.

The broken lines are for illustrative purposes only and form no part of the claimed design.

**1 Claim, 2 Drawing Sheets**

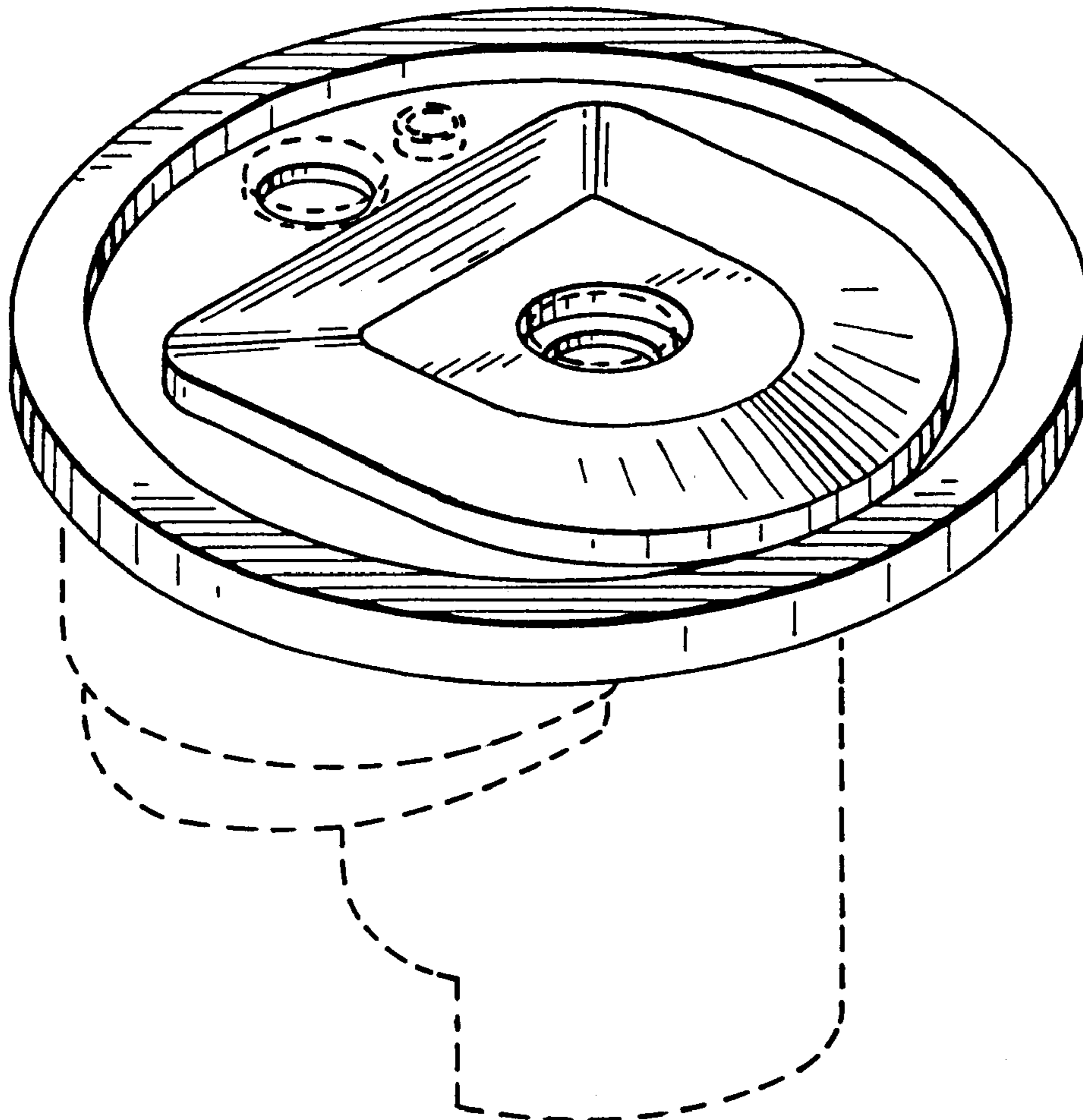


FIG. 1

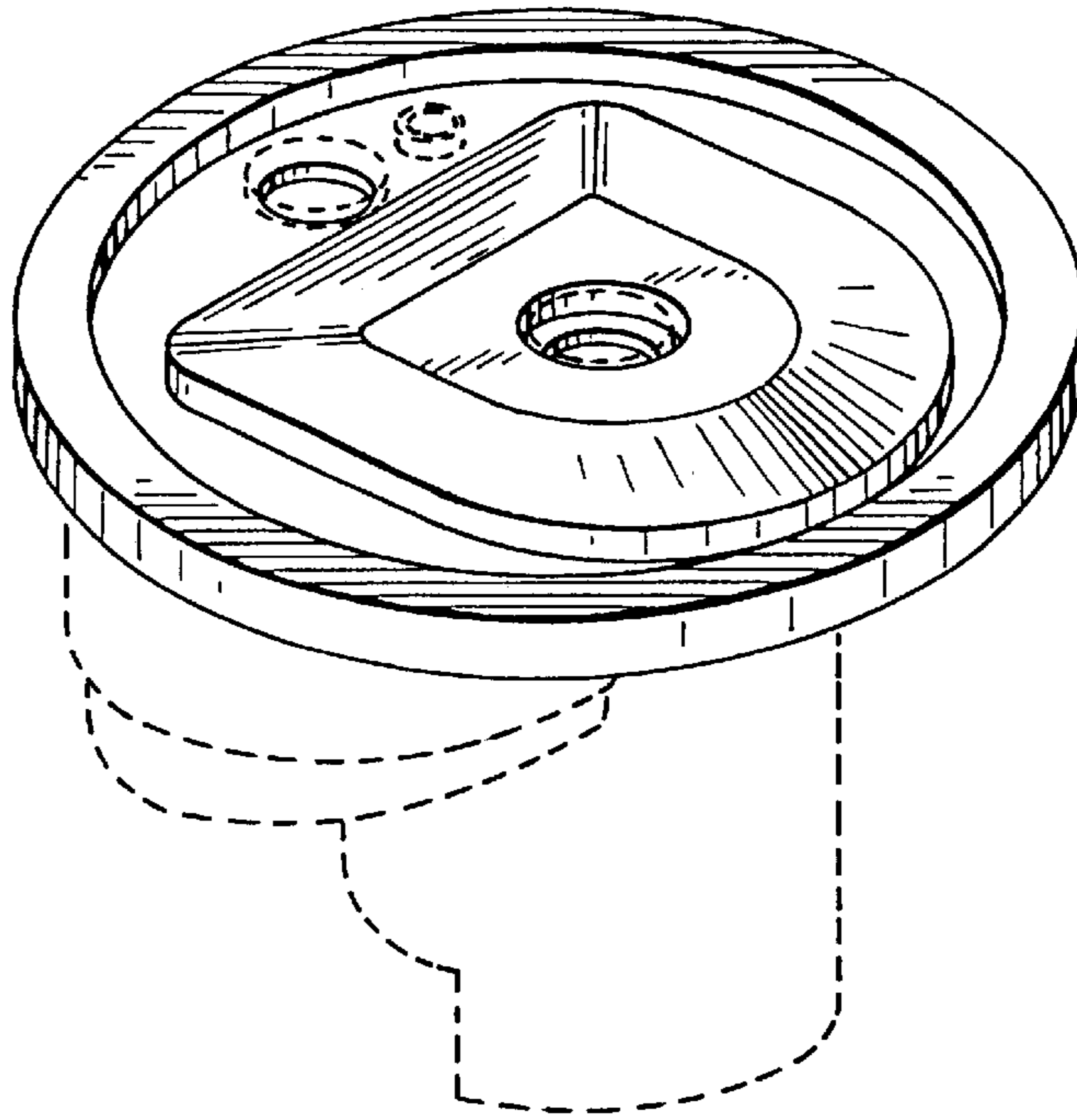


FIG. 2

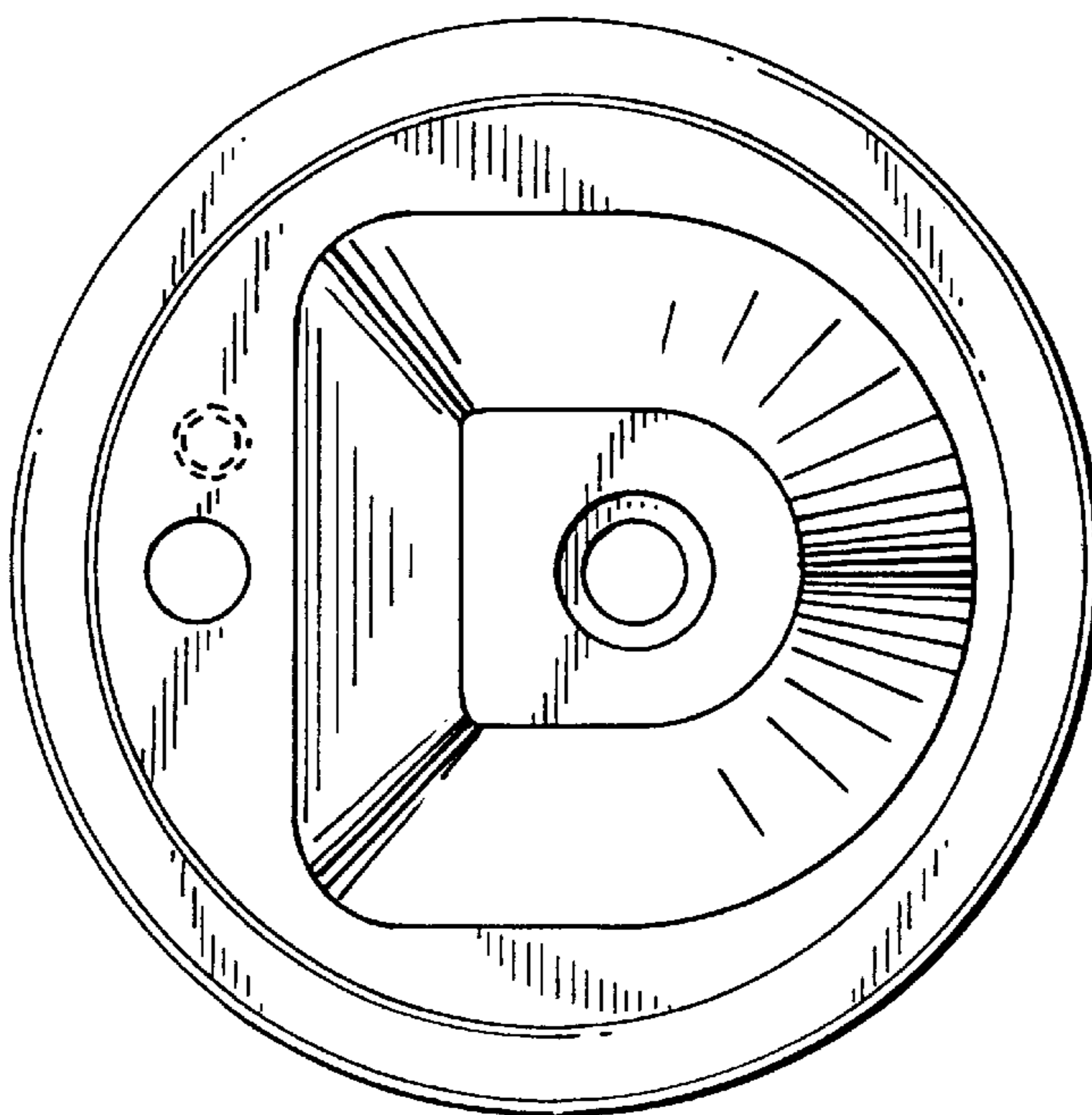


FIG. 3

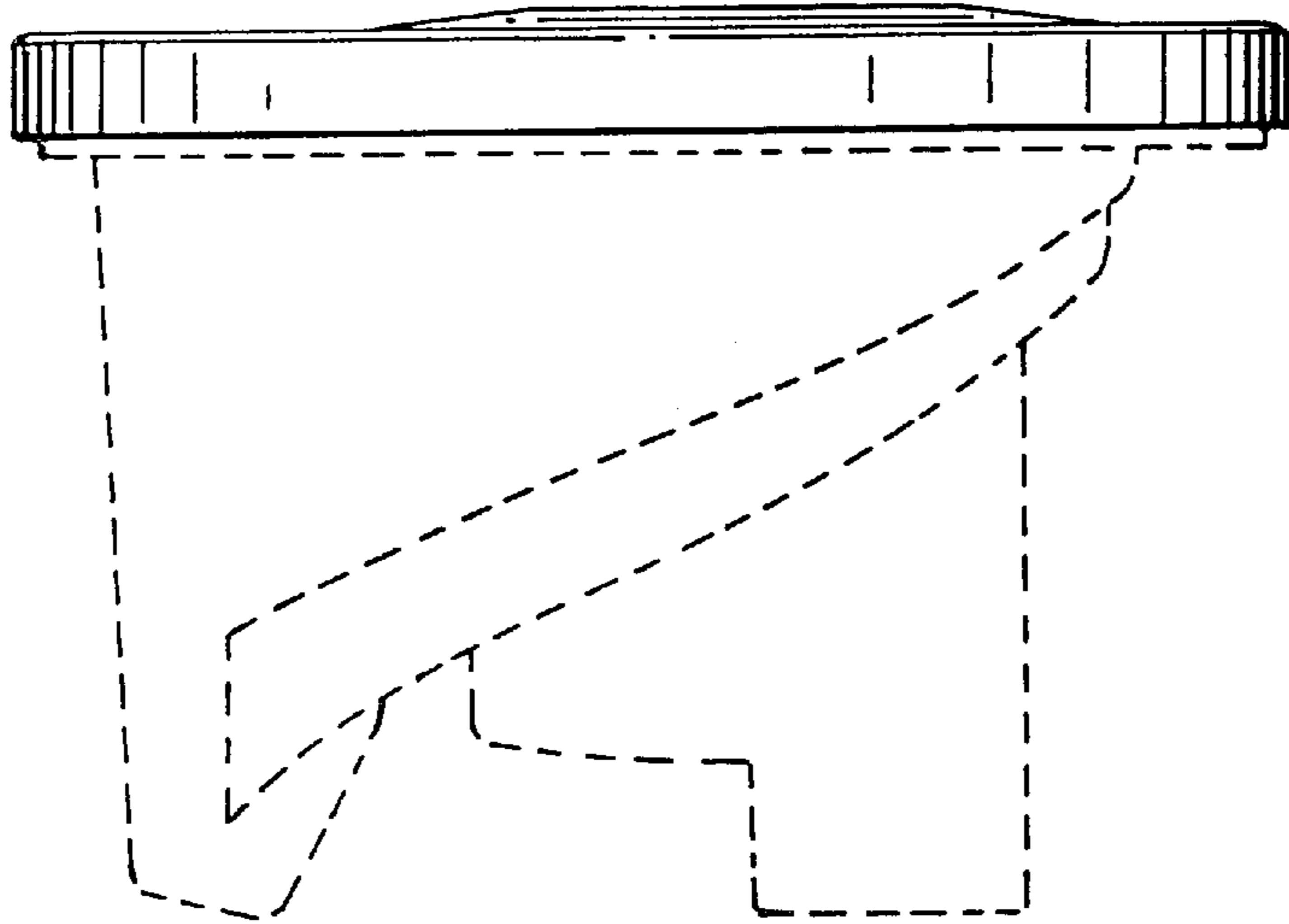


FIG. 4

