



US00D488232S

(12) **United States Design Patent**
Nan

(10) **Patent No.:** **US D488,232 S**

(45) **Date of Patent:** **** Apr. 6, 2004**

(54) **FINGER MASSAGER**

(75) **Inventor:** **Simon Siu Man Nan**, Richmond Hill (CA)

(73) **Assignee:** **Nanma Ltd.**, Port Louis (MU)

(**) **Term:** **14 Years**

(21) **Appl. No.:** **29/185,624**

(22) **Filed:** **Jun. 30, 2003**

(51) **LOC (7) Cl.** **28-03**

(52) **U.S. Cl.** **D24/215**

(58) **Field of Search** D24/200, 214, D24/215; 601/46, 79, 81, 134-138

(56) **References Cited**

U.S. PATENT DOCUMENTS

D199,380 S	10/1964	Kellogg	
3,623,481 A	* 11/1971	Curran	601/74
D254,268 S	2/1980	D'Haenens et al.	
D261,551 S	10/1981	Boroda	
D360,695 S	7/1995	Wollman	
D367,712 S	3/1996	Young	
D373,640 S	9/1996	Young	
5,601,529 A	* 2/1997	Wollman	601/74
D389,920 S	1/1998	Kenon	

D397,224 S	8/1998	Wollman	
D430,677 S	* 9/2000	Robinson	D24/215
6,203,509 B1	* 3/2001	Duboff	601/70
D466,217 S	11/2002	Harris et al.	

* cited by examiner

Primary Examiner—Stella Reid

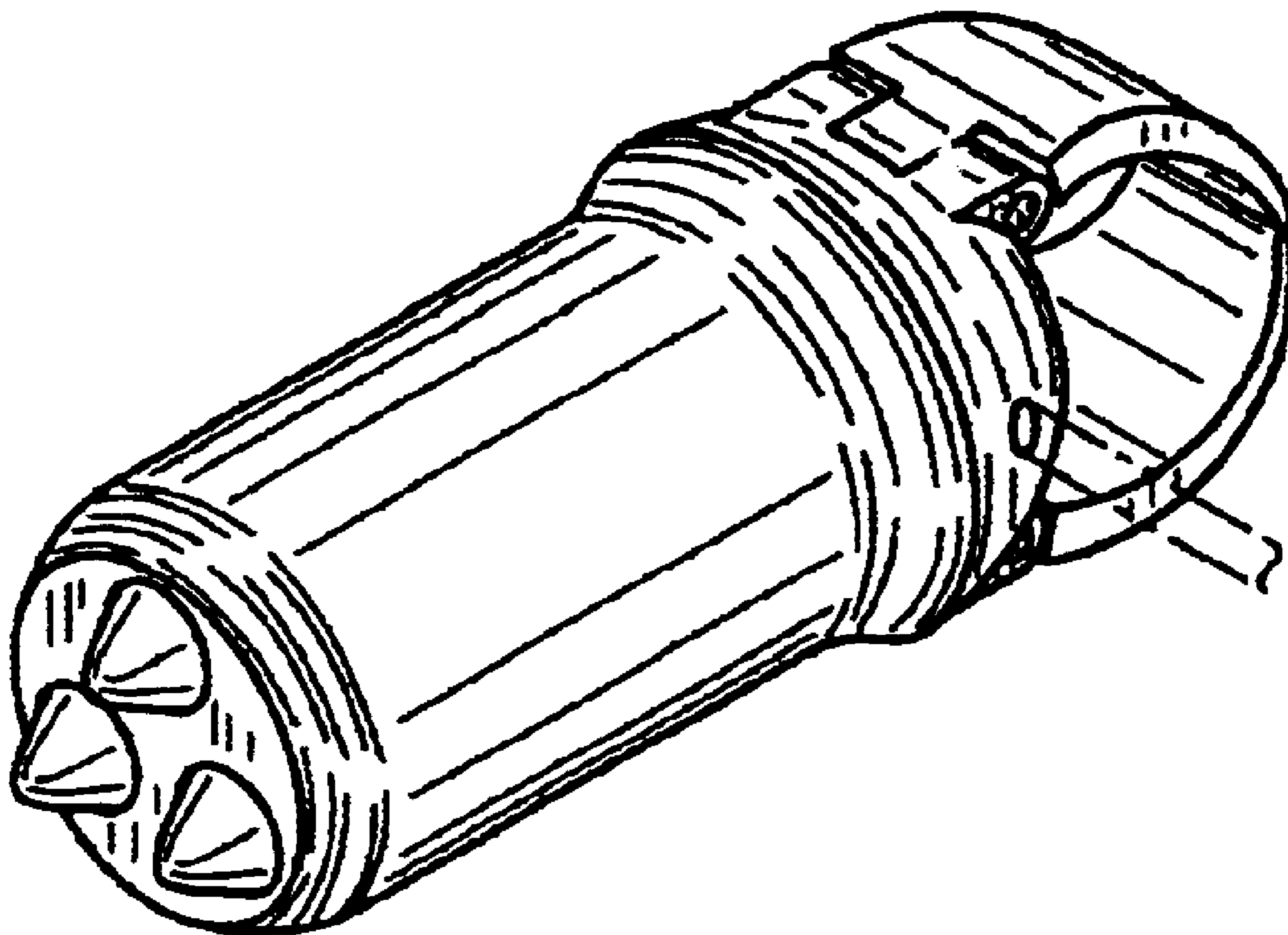
(57) **CLAIM**

The ornamental design for a finger massager, as shown and described.

DESCRIPTION

FIG. 1 is a perspective view of a finger massager embodying my new design;
 FIG. 2 is a side elevation view thereof;
 FIG. 3 is a side elevation view rotated 180° along the longitudinal axis from the view in FIG. 2;
 FIG. 4 is a side elevation view rotated 90° along the longitudinal axis from the view in FIG. 2;
 FIG. 5 is a side elevation view rotated 180° along the longitudinal axis from the view in FIG. 4;
 FIG. 6 is a left end view of FIG. 2; and,
 FIG. 7 is a right end view of FIG. 2.
 The broken lines are for illustrative purpose only and form no part of the claimed design.

1 Claim, 1 Drawing Sheet



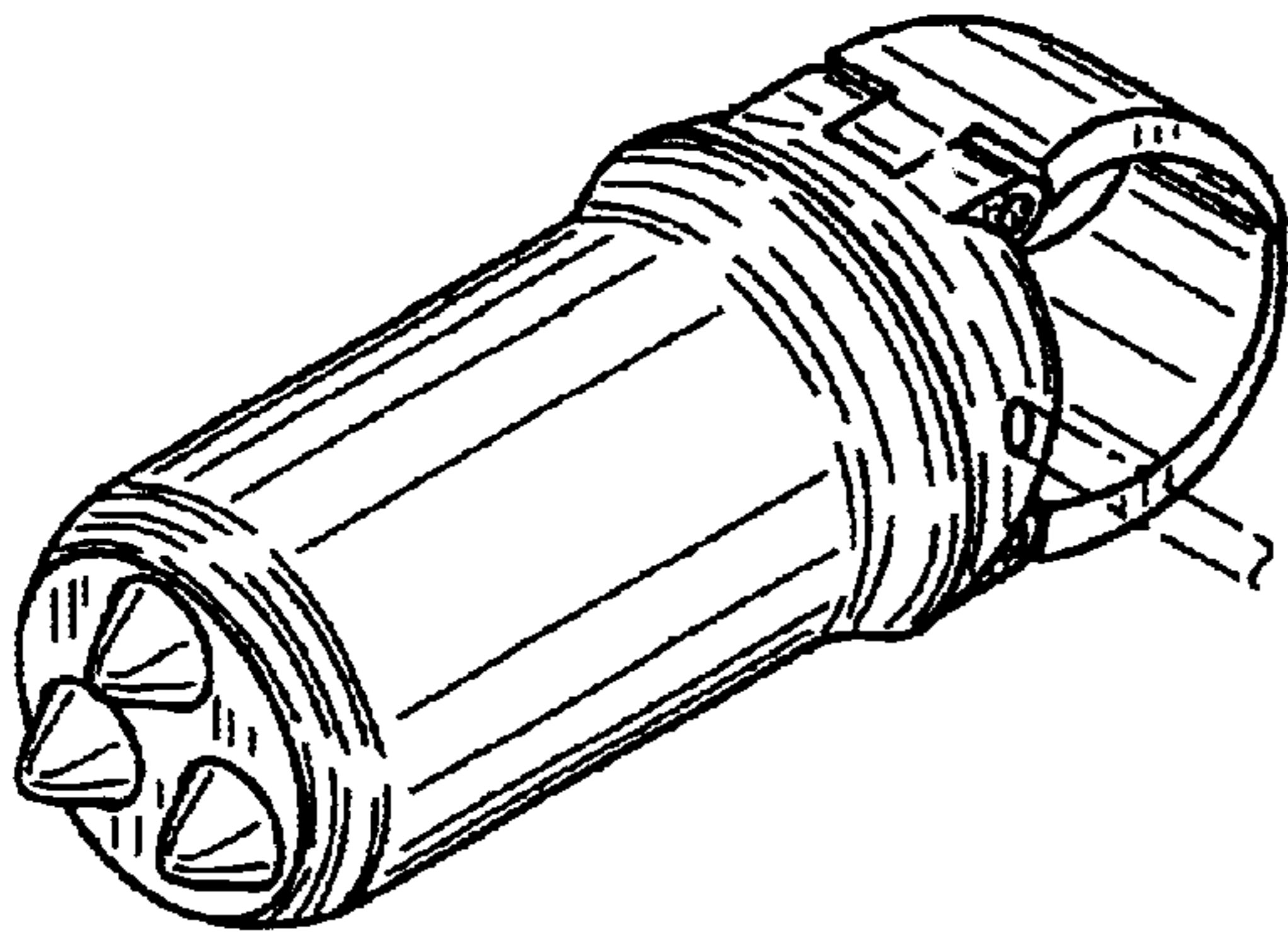


FIG. 1

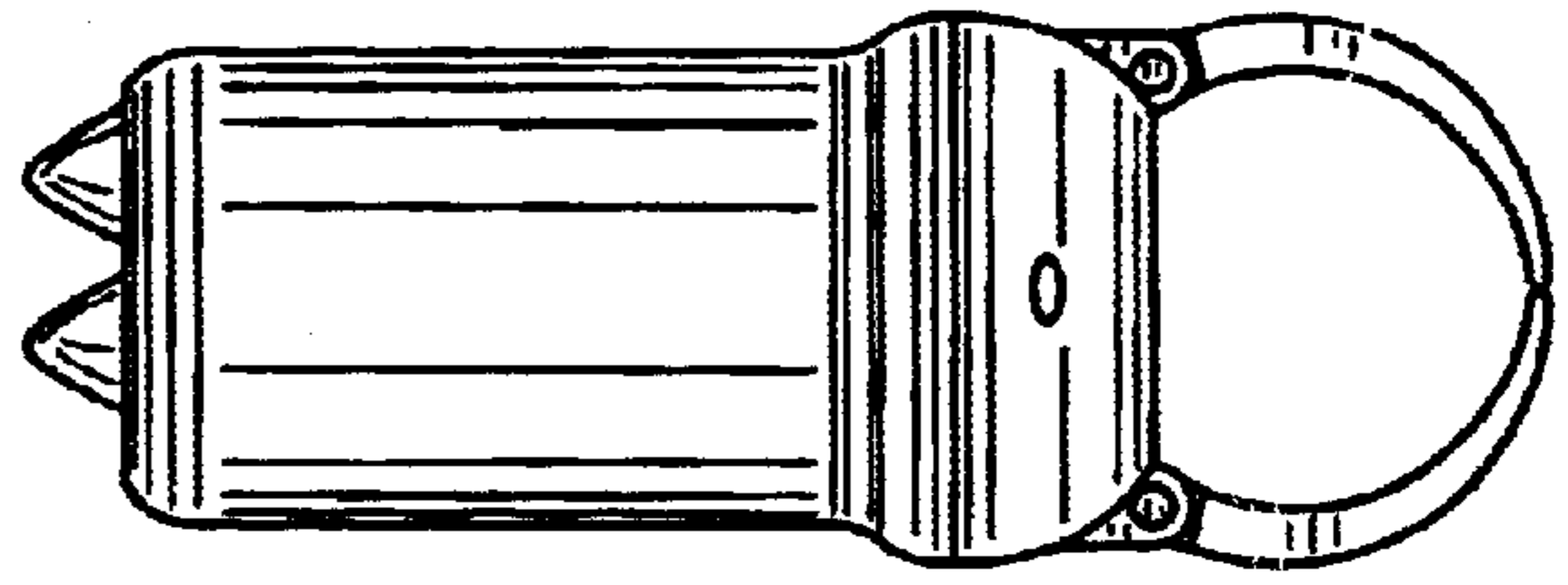


FIG. 2

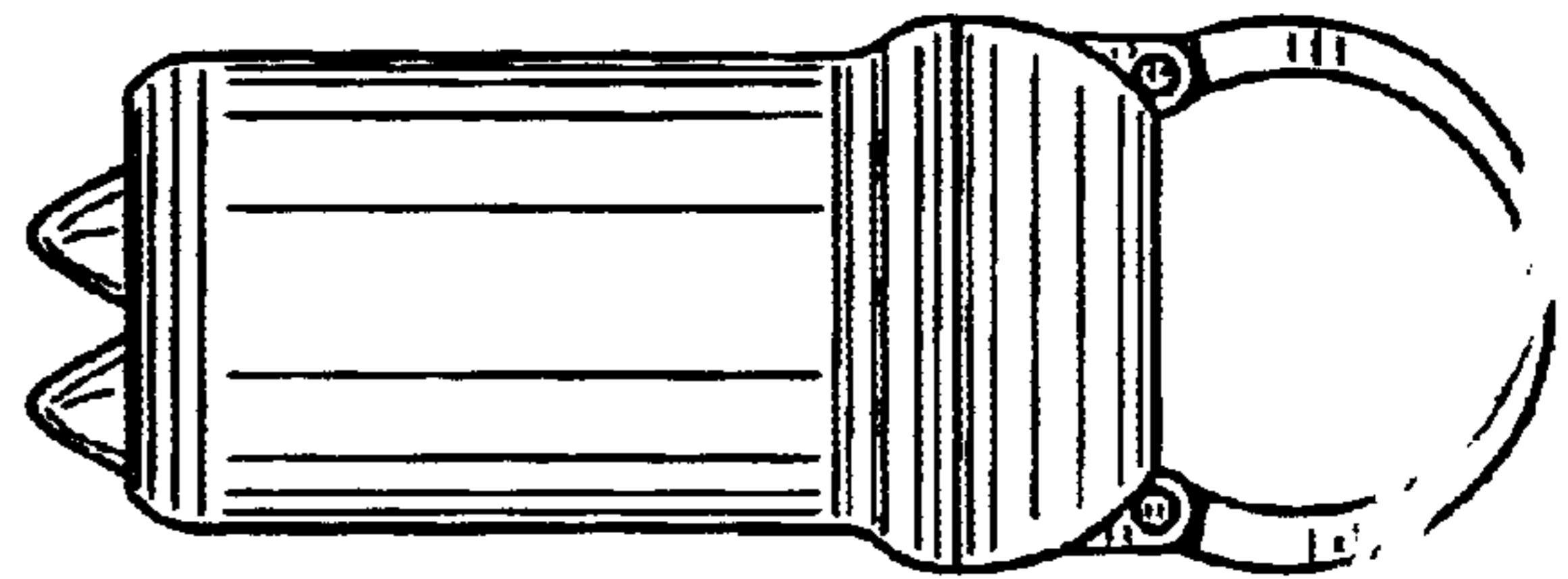


FIG. 3

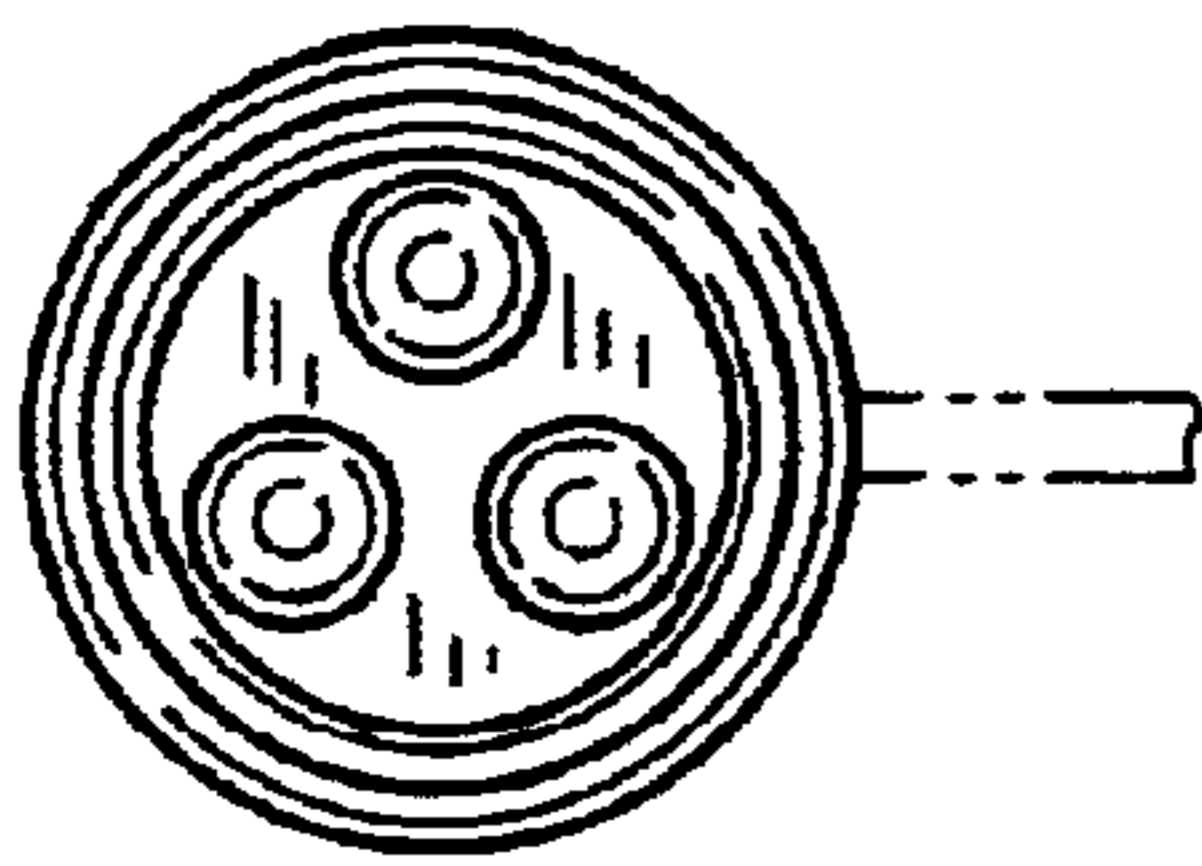


FIG. 6

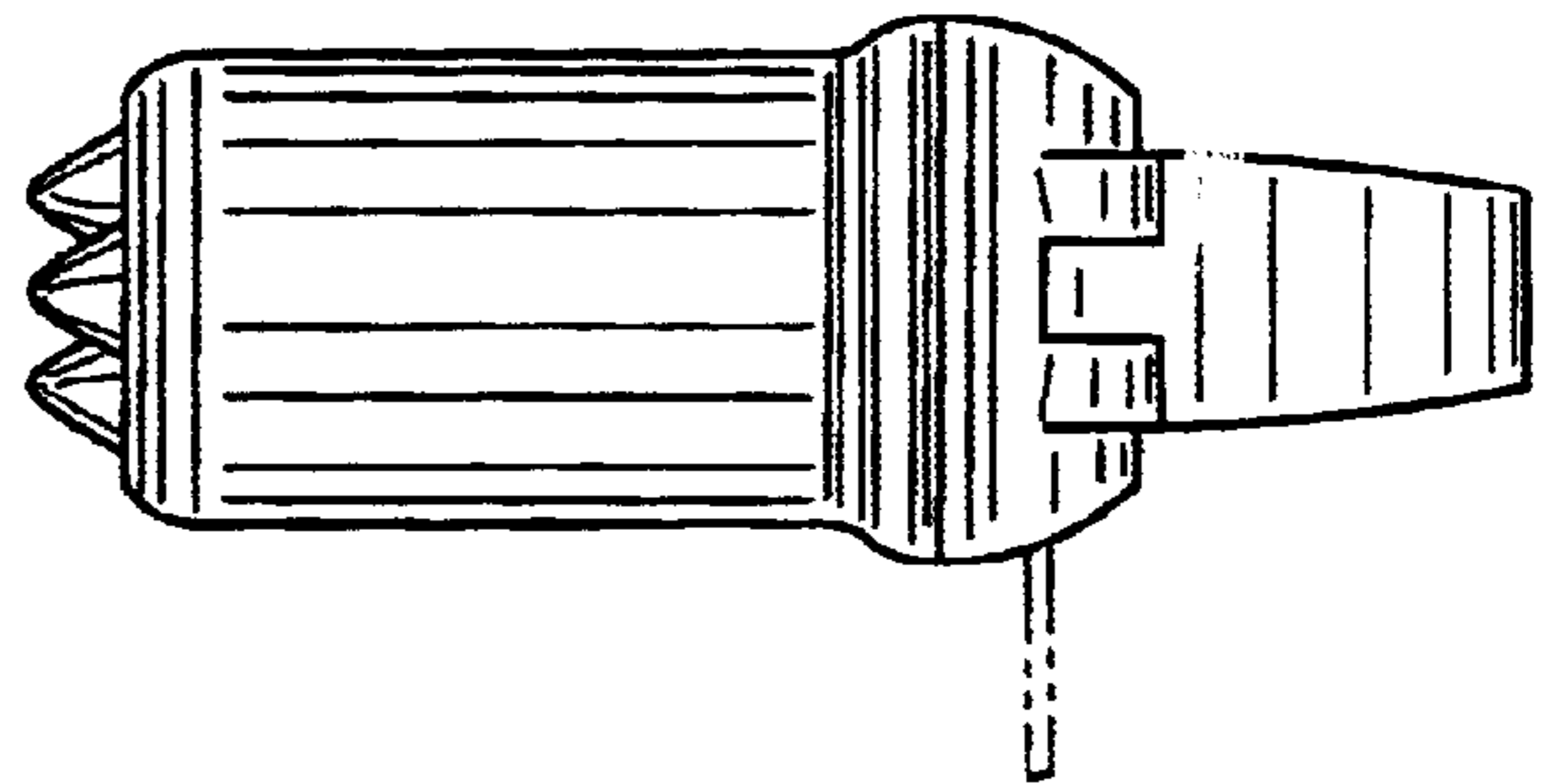


FIG. 4

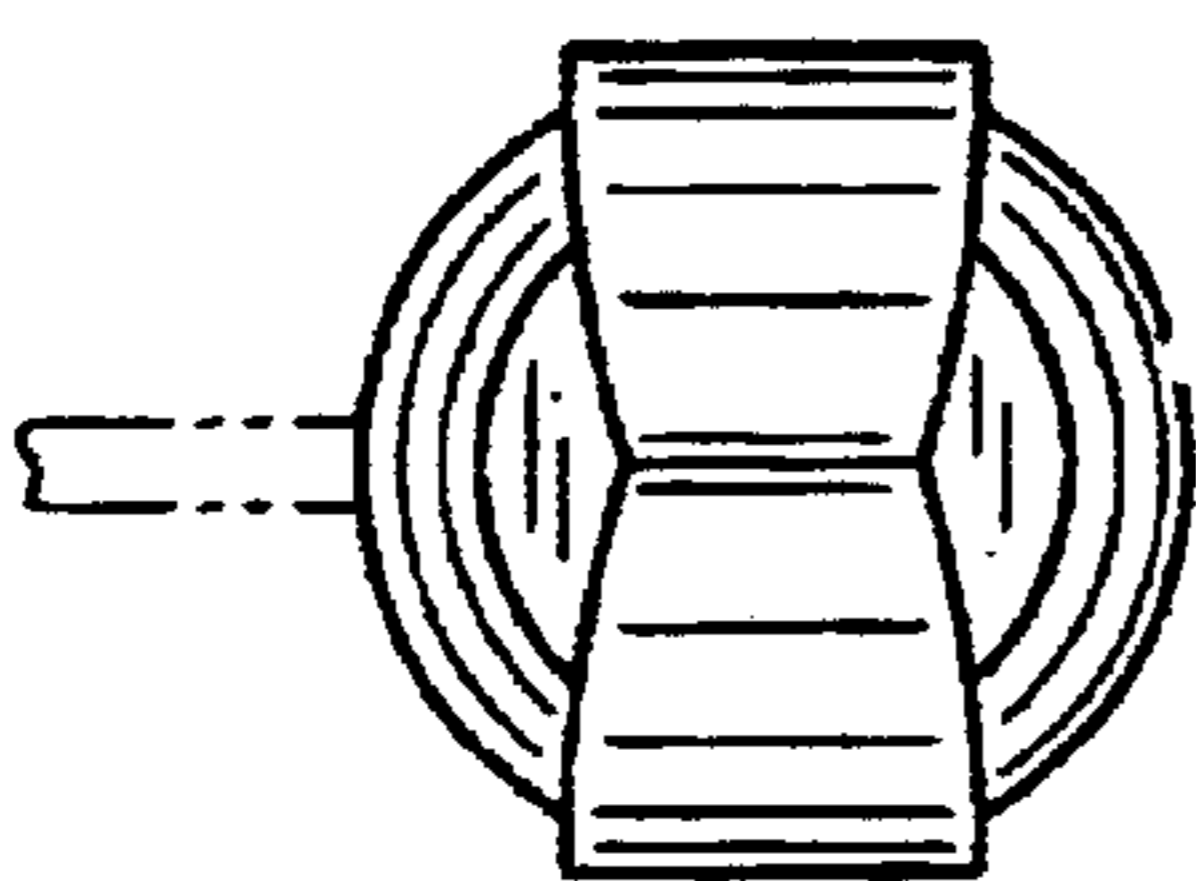


FIG. 7

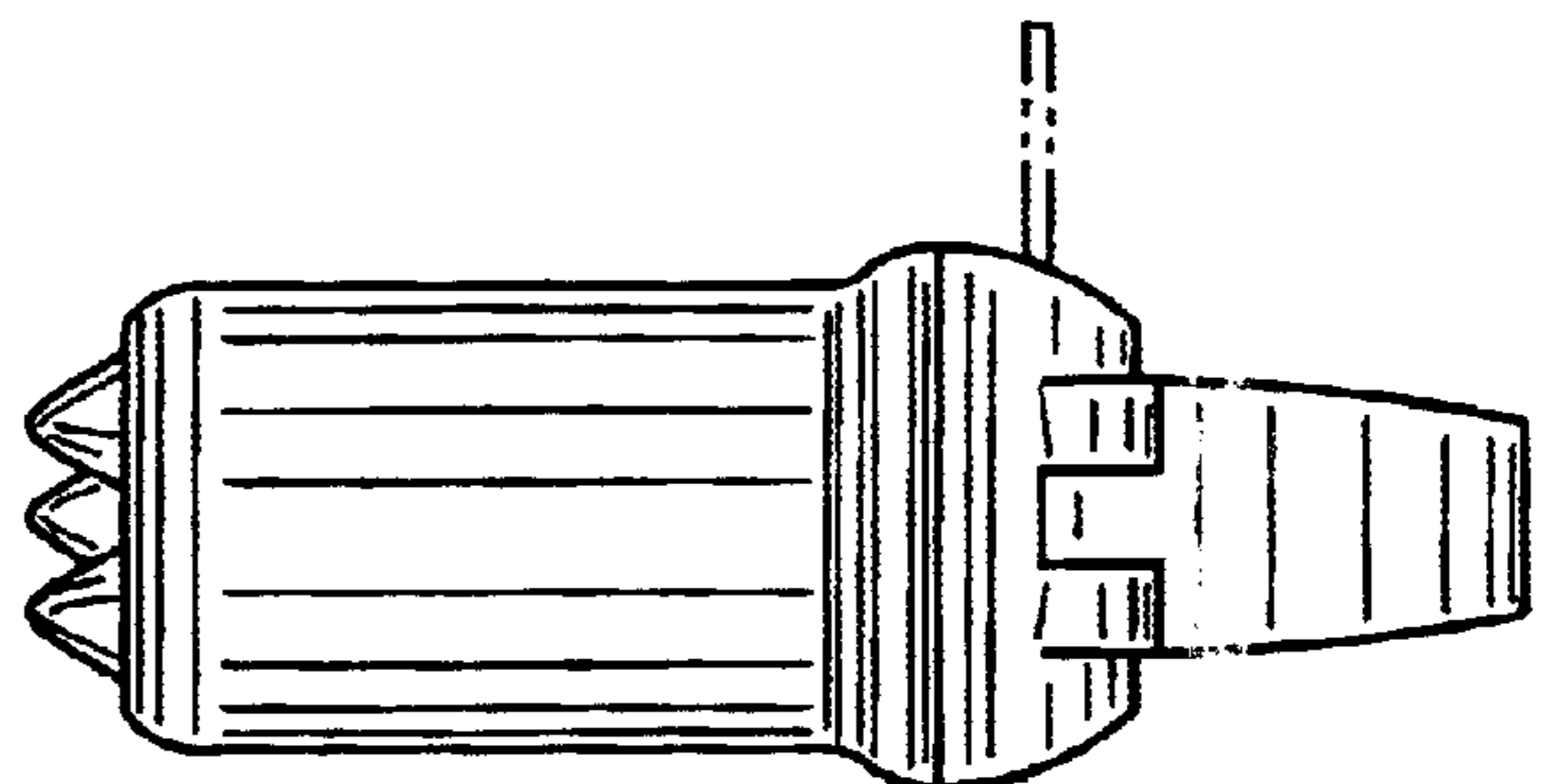


FIG. 5