



US00D488231S

(12) **United States Design Patent**
Sorlie

(10) **Patent No.:** **US D488,231 S**

(45) **Date of Patent:** **** Apr. 6, 2004**

(54) **MASSAGING DEVICE**

(76) **Inventor:** **Svein Inge Sorlie**, 45 Watergumstr.
Elonora, Goldcoast, Queensland 4221
(AU)

(**) **Term:** **14 Years**

(21) **Appl. No.:** **29/159,995**

(22) **Filed:** **May 1, 2002**

(51) **LOC (7) Cl.** **28-03**

(52) **U.S. Cl.** **D24/214**

(58) **Field of Search** D24/200, 214;
601/12, 67, 80, 134, 133, 135

(56) **References Cited**

U.S. PATENT DOCUMENTS

2,103,949 A * 12/1937 Koehler 601/12
4,506,659 A * 3/1985 Chester 601/97
5,421,799 A * 6/1995 Rabin et al. 601/71

D368,141 S * 3/1996 Rabin et al. D24/215

D438,978 S * 3/2001 Conwell D24/214

6,309,365 B1 10/2001 Lacey

6,450,980 B1 * 9/2002 Robbins et al. 601/137

* cited by examiner

Primary Examiner—Stella Reid

(74) *Attorney, Agent, or Firm*—Elsie C. Turner

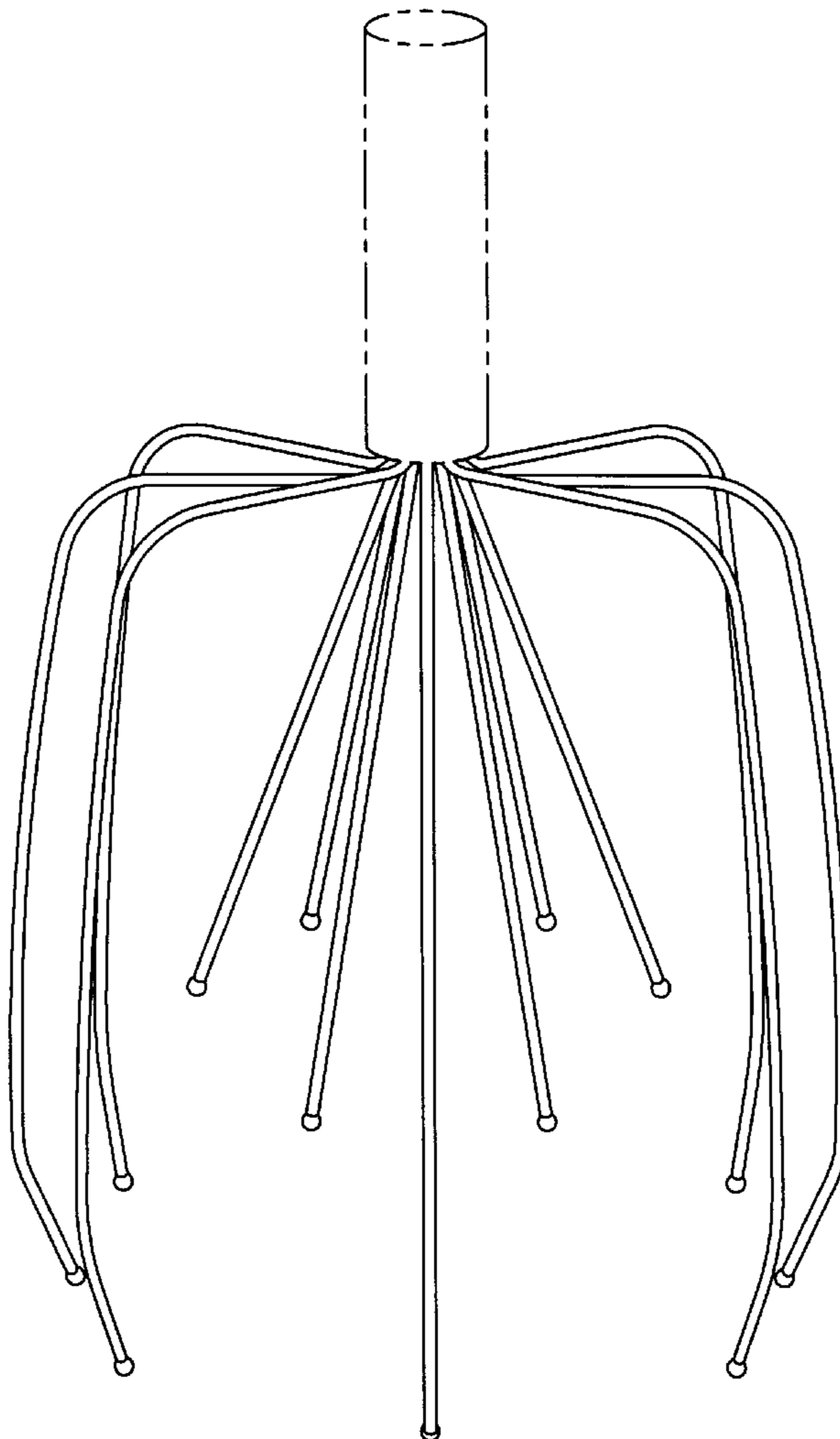
(57) **CLAIM**

The ornamental design for a massaging device, as shown and described.

DESCRIPTION

FIG. 1 is a perspective view;
FIG. 2 is a front elevational view of the design of FIG. 1;
FIG. 3 is a top view of the design of FIG. 1;
FIG. 4 is a side elevational view of the design of FIG. 1; and,
FIG. 5 is a bottom view of the design of FIG. 1.

1 Claim, 3 Drawing Sheets



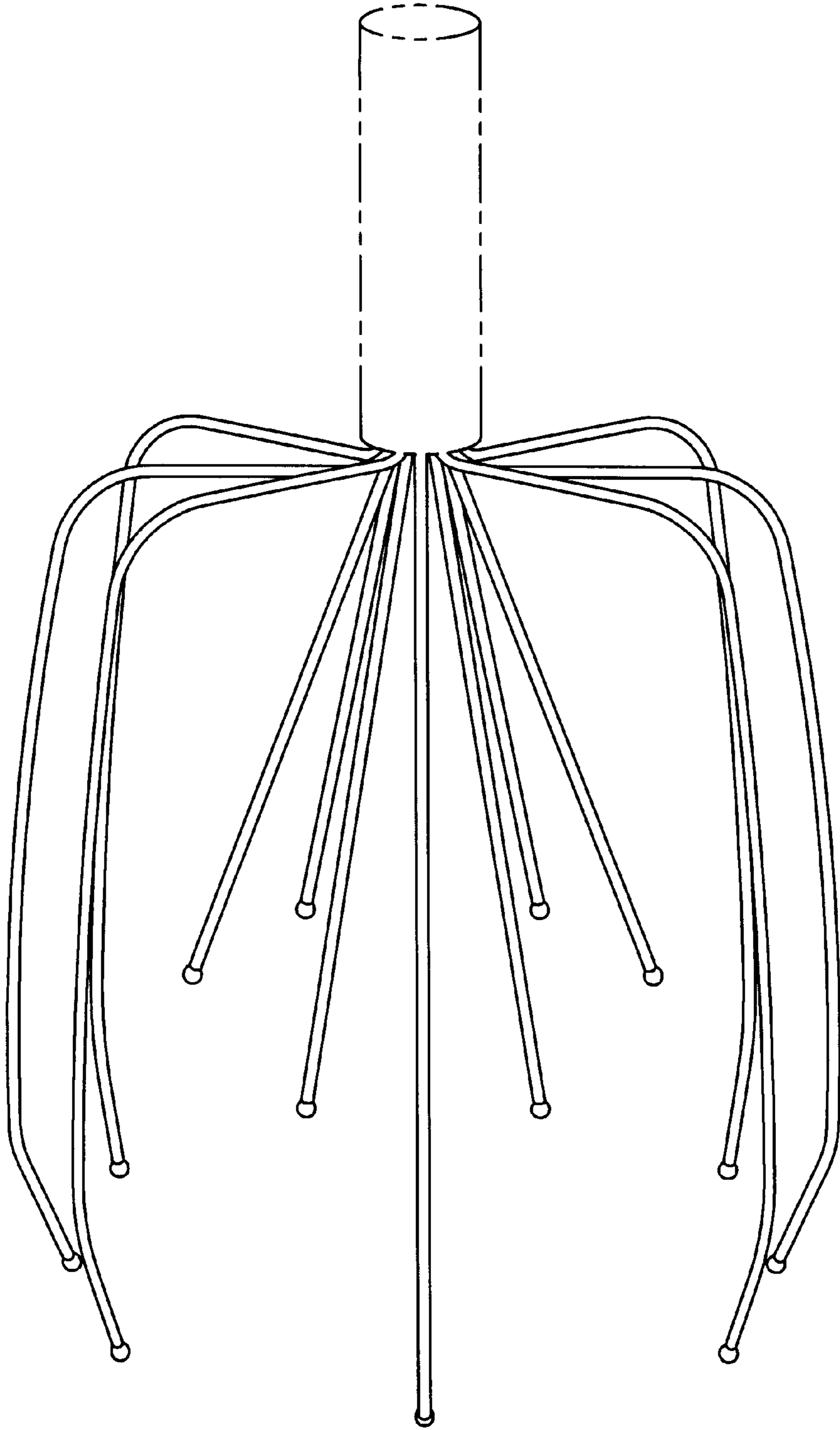


FIG. 1

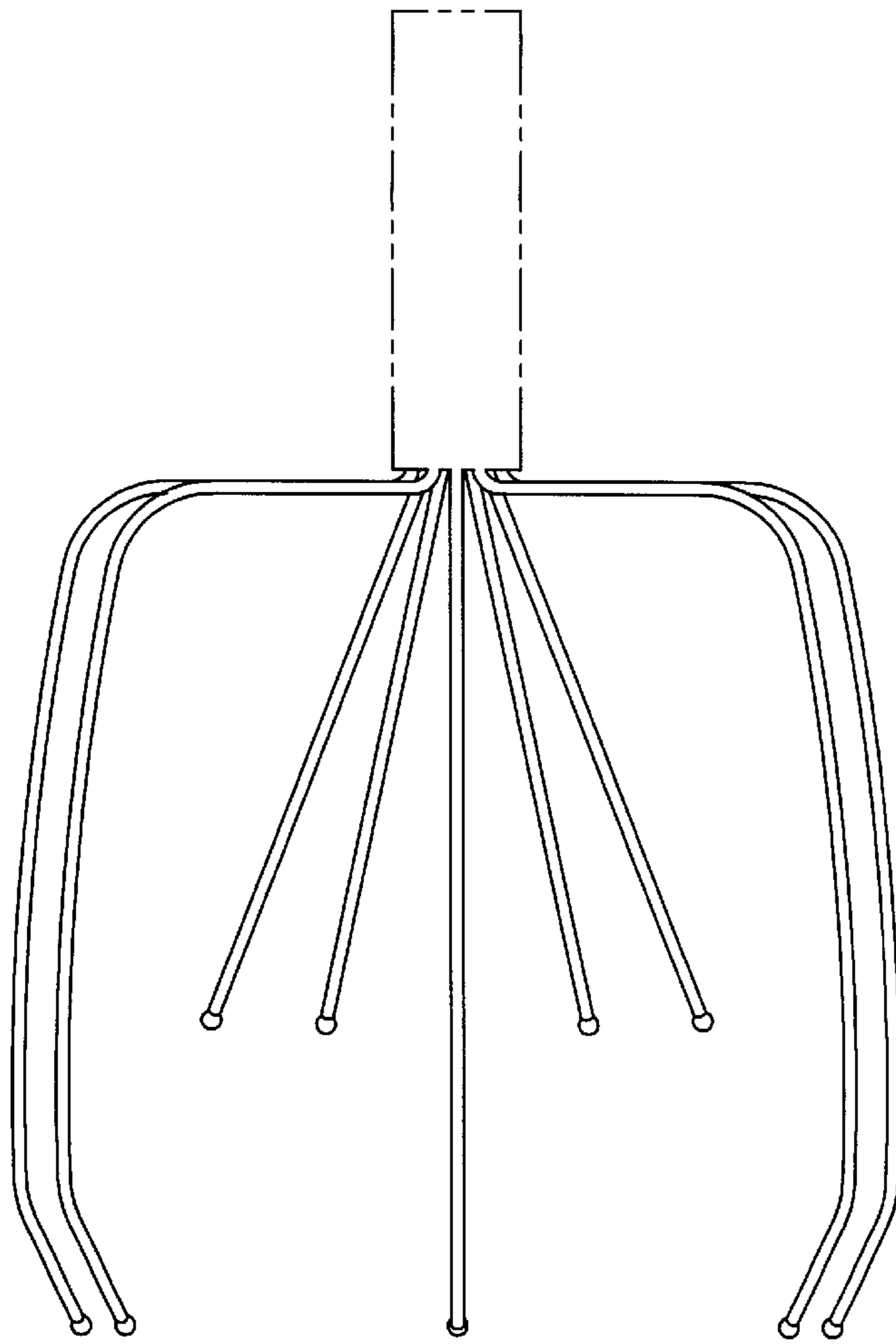


FIG. 2

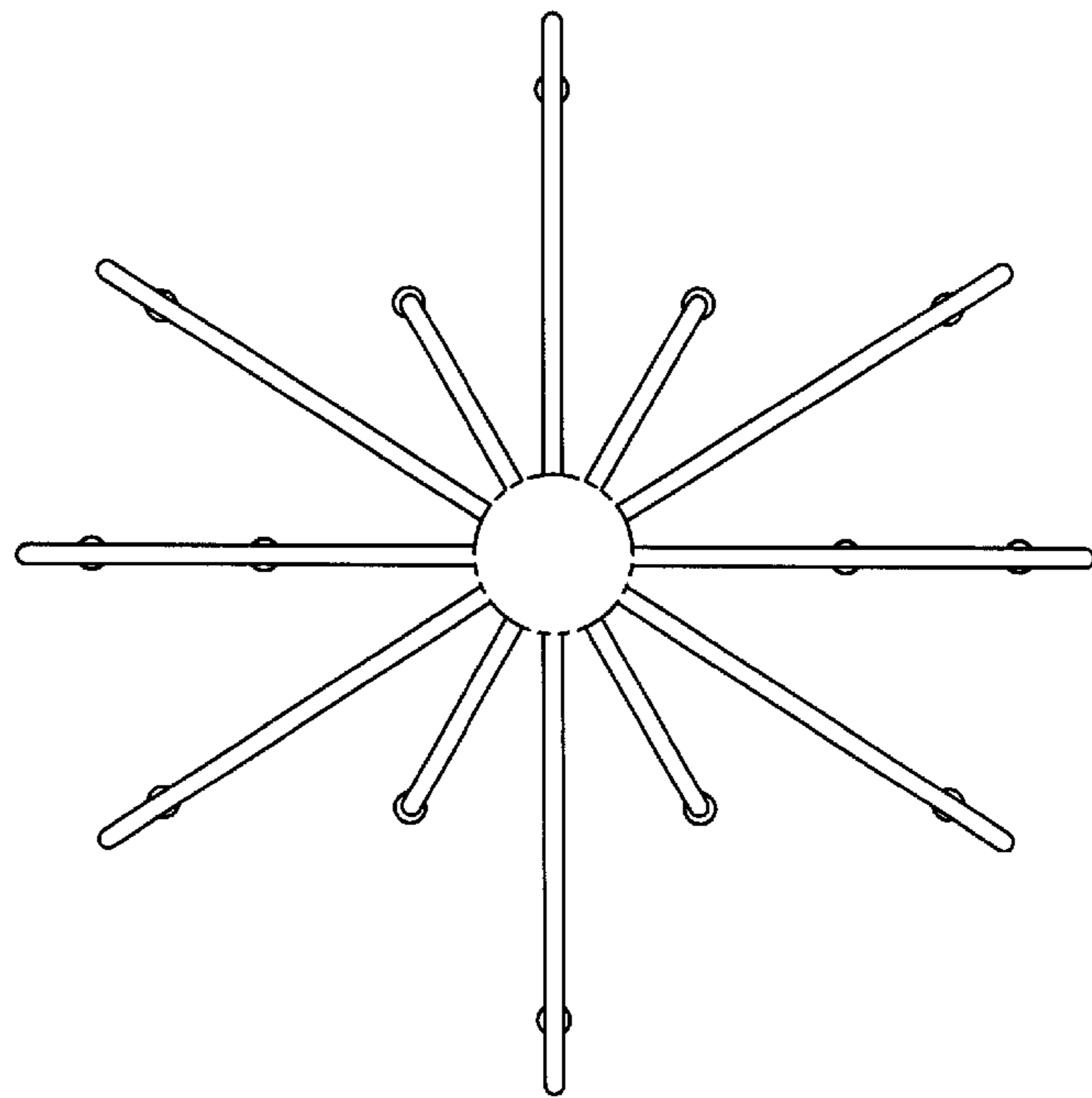


FIG. 3

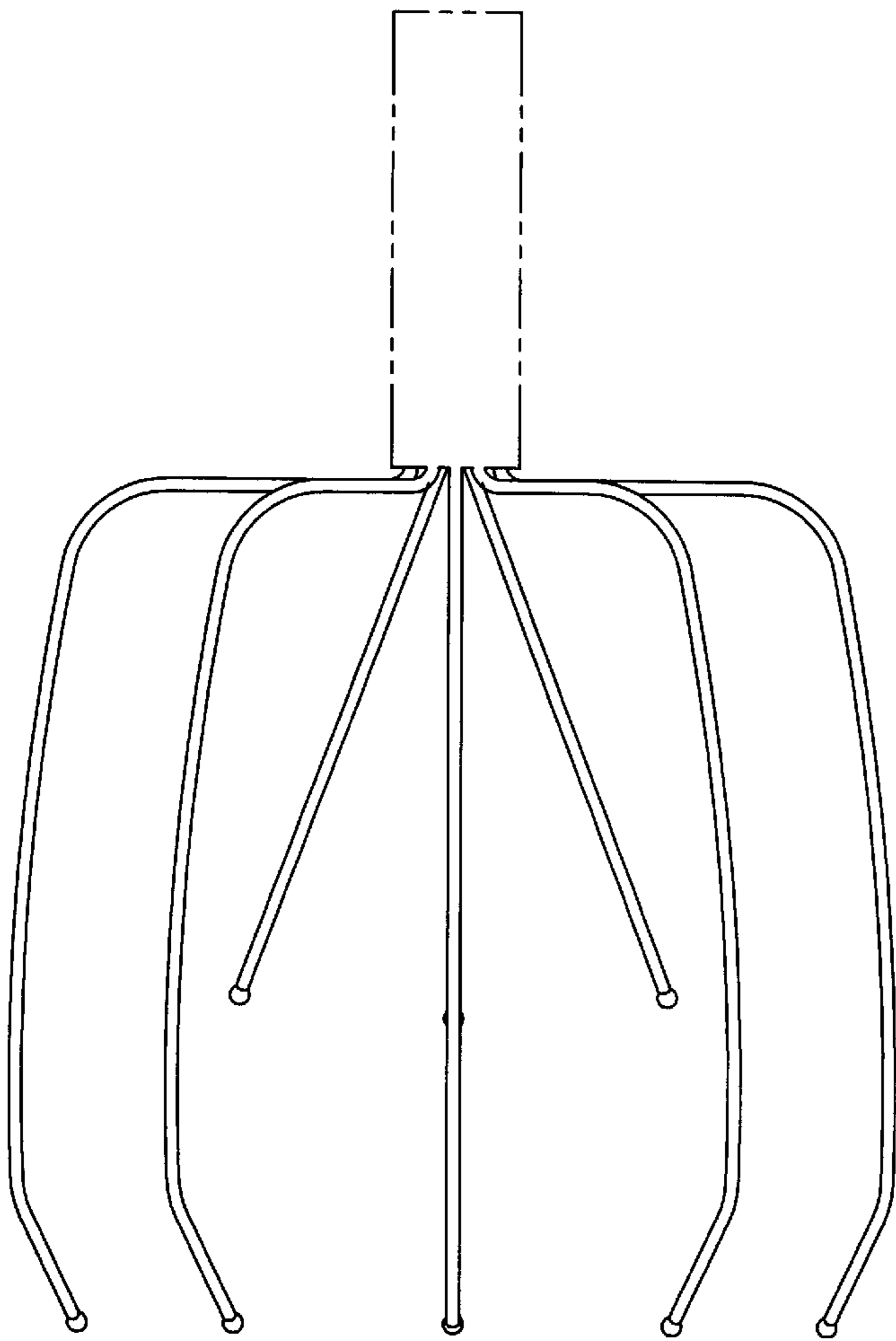


FIG. 4

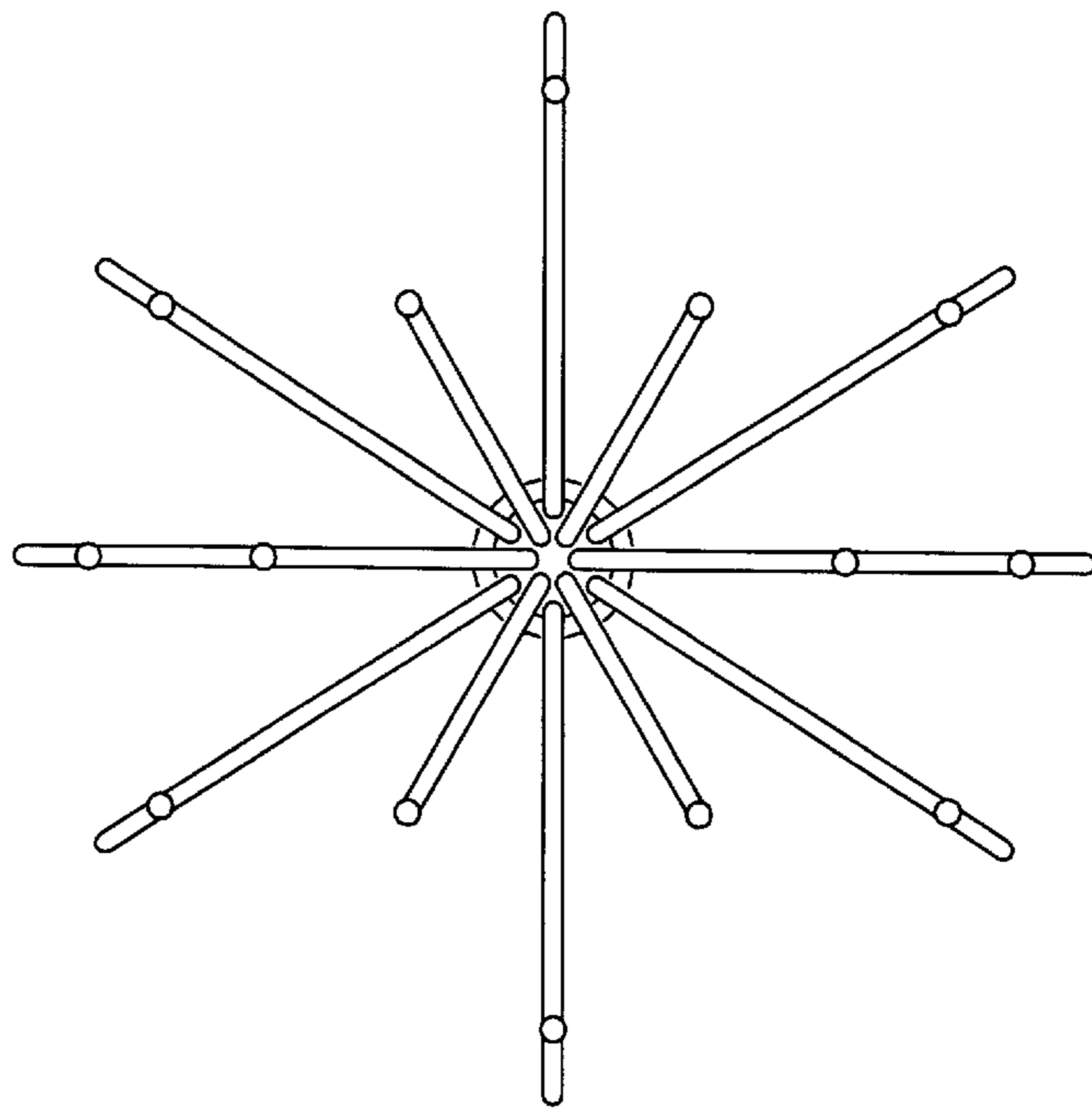


FIG. 5