



US00D488229S

(12) **United States Design Patent**  
**Rinner et al.**

(10) **Patent No.:** **US D488,229 S**

(45) **Date of Patent:** **\*\* Apr. 6, 2004**

(54) **COMBINED BONE COMPRESSION AND DISTRACTION INSTRUMENT**

(75) Inventors: **James A. Rinner**, Racine, WI (US);  
**Timothy J. Michna**, Racine, WI (US)

(73) Assignees: **Pilling Weck Incorporated**, Horsham, PA (US); **Pennsylvania Corporation**, Horsham, PA (US)

(\*\*) Term: **14 Years**

(21) Appl. No.: **29/175,188**

(22) Filed: **Feb. 3, 2003**

(51) **LOC (7) Cl.** ..... **24-02**

(52) **U.S. Cl.** ..... **D24/143**

(58) **Field of Search** ..... D24/143; 606/53,  
606/54, 57, 90, 105, 86-88

(56) **References Cited**

**U.S. PATENT DOCUMENTS**

3,709,219	A	*	1/1973	Halloran	.....	606/105
4,187,841	A	*	2/1980	Knutson	.....	606/105
4,929,247	A	*	5/1990	Rayhack	.....	606/53
5,439,465	A	*	8/1995	Tumibay	.....	606/105
D363,545	S	*	10/1995	Miller	.....	D24/143

\* cited by examiner

*Primary Examiner*—Stella Reid

(74) *Attorney, Agent, or Firm*—Arthur J. Hansmann

(57) **CLAIM**

The ornamental design for a combined bone compression and distraction instrument, as shown and described.

**DESCRIPTION**

FIG. 1 is a side perspective view of a combined bone compression and distraction instrument, showing our new design, in the compression position;

FIG. 2 is a side perspective view thereof, opposite that shown in FIG. 1;

FIG. 3 is a side elevational view thereof;

FIG. 4 is a bottom plan view thereof;

FIG. 5 is a side elevational view thereof, opposite that shown in FIG. 3;

FIG. 6 is a top plan view thereof;

FIG. 7 and 8 are respectively, right end and left end elevational views thereof;

FIG. 9 is a side perspective view of the combined bone compression and distraction instrument, in the distraction position;

FIG. 10 is a side perspective view thereof, opposite that shown in FIG. 9;

FIG. 11 is side elevational view thereof;

FIG. 12 a bottom plan view thereof;

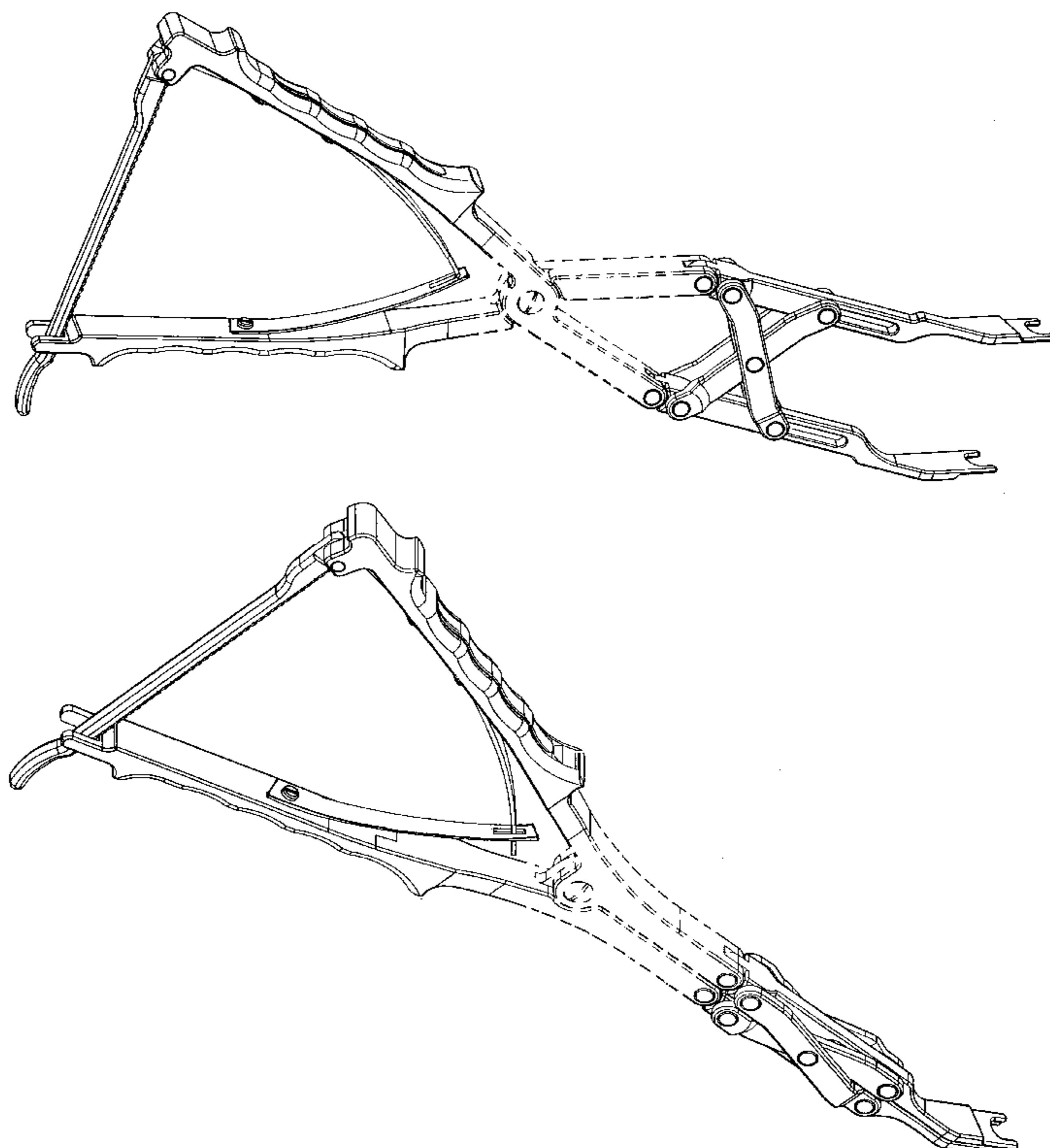
FIG. 13 is a side elevational view thereof, opposite that shown in FIG. 11;

FIG. 14 is a top plan view thereof; and,

FIGS. 15 and 16 are respectively, right end and left end elevational views thereof.

The broken line showing of the compression instrument and the distraction instrument is for illustrative purposes only and forms no part of the claimed design.

**1 Claim, 8 Drawing Sheets**



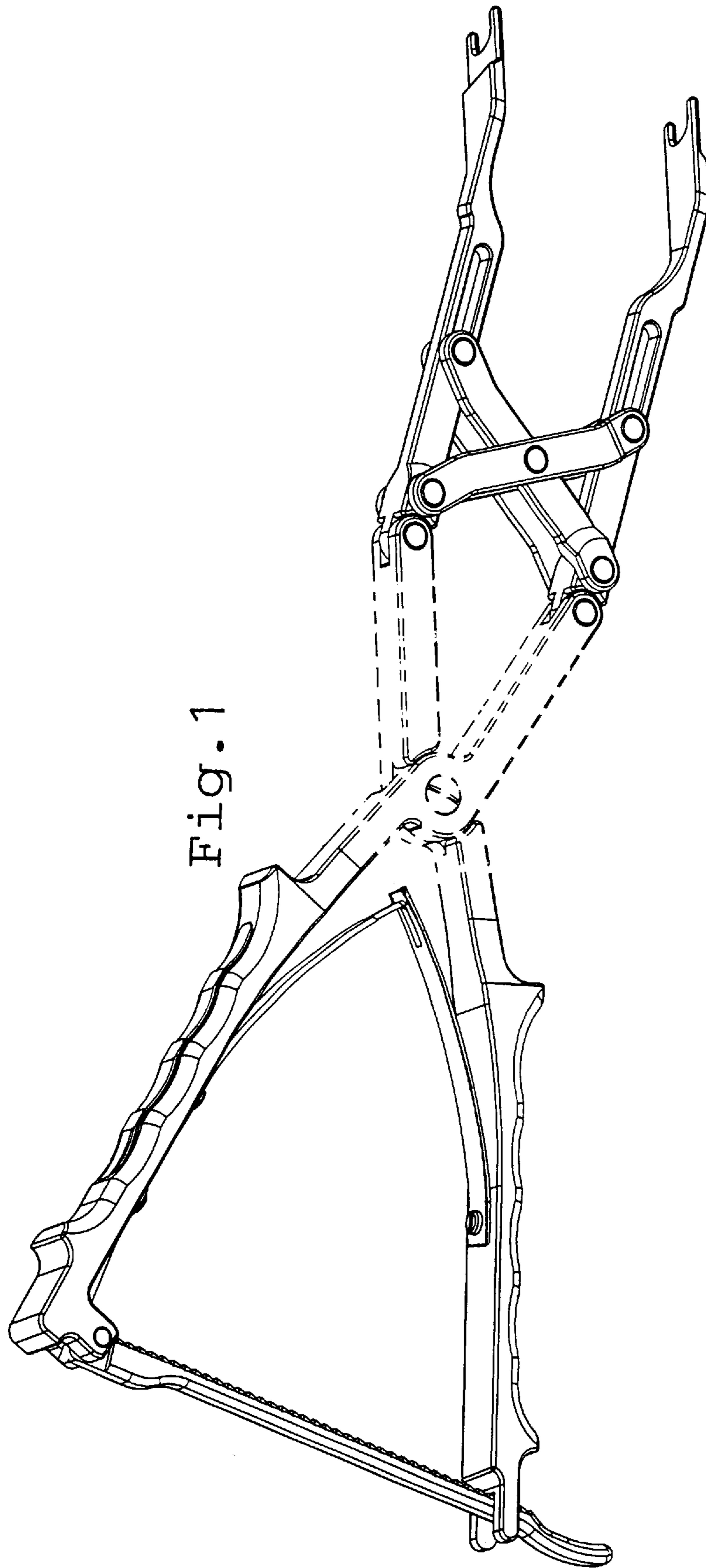


Fig. 1

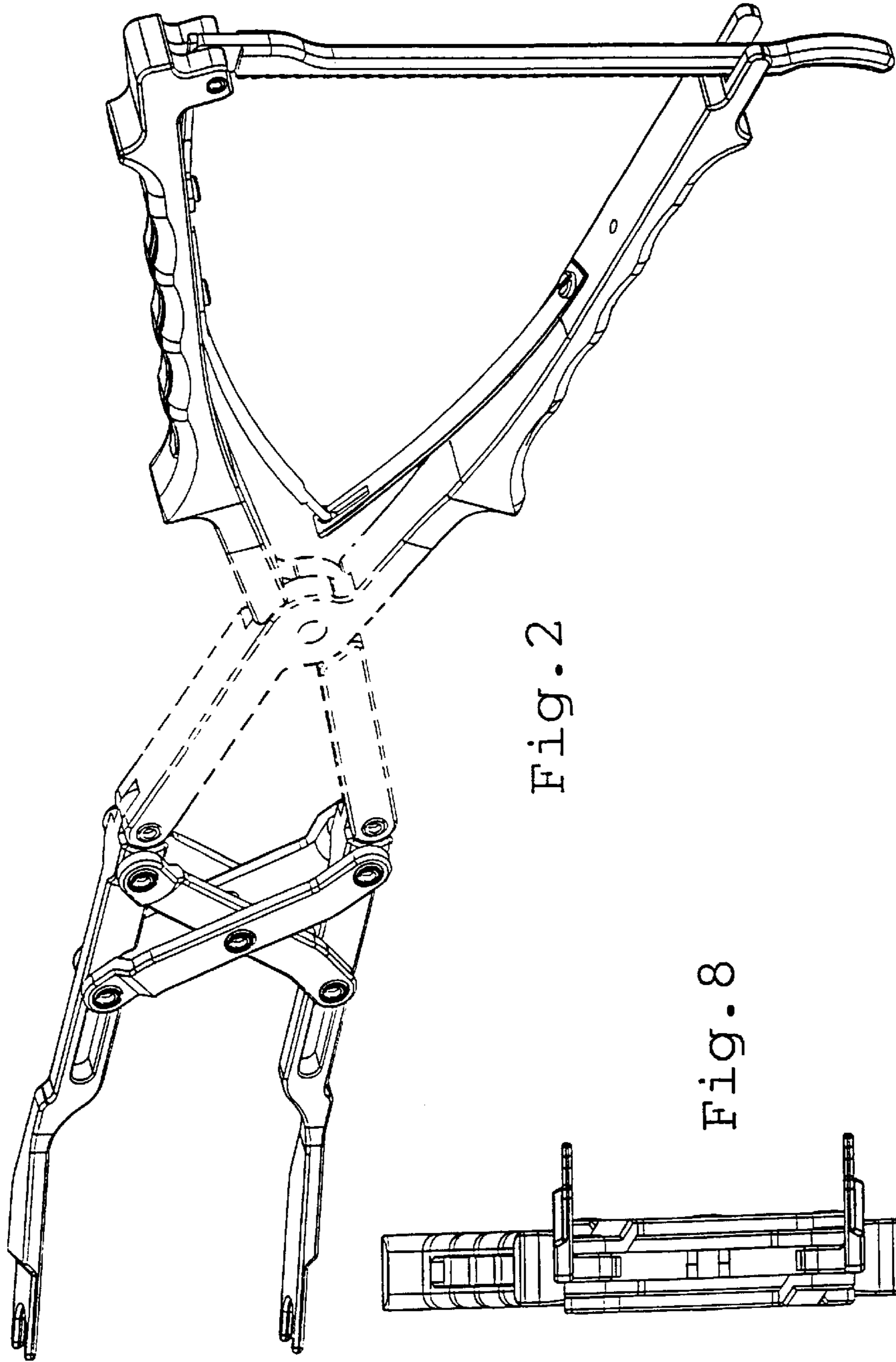


Fig. 2

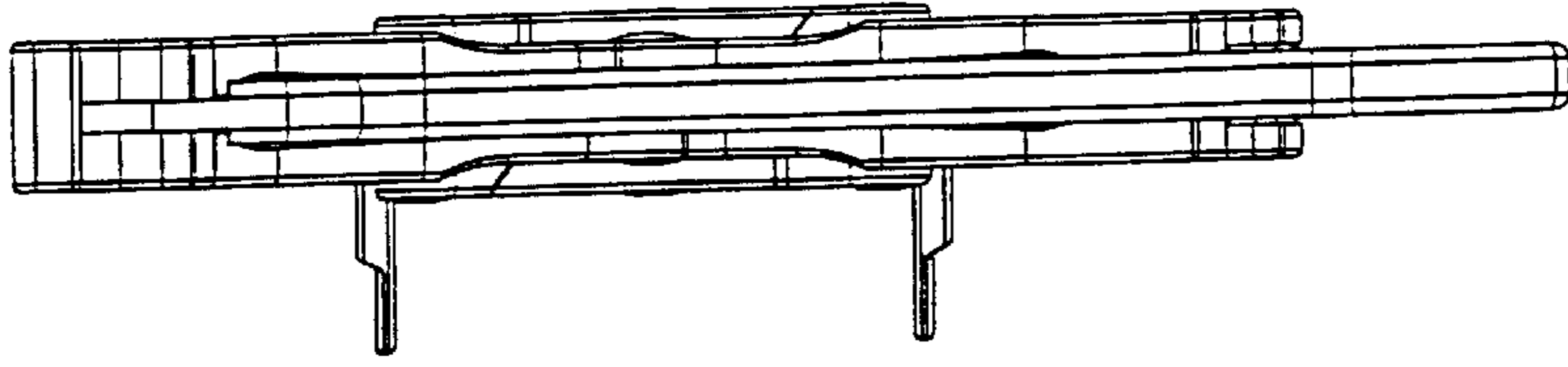


Fig. 7

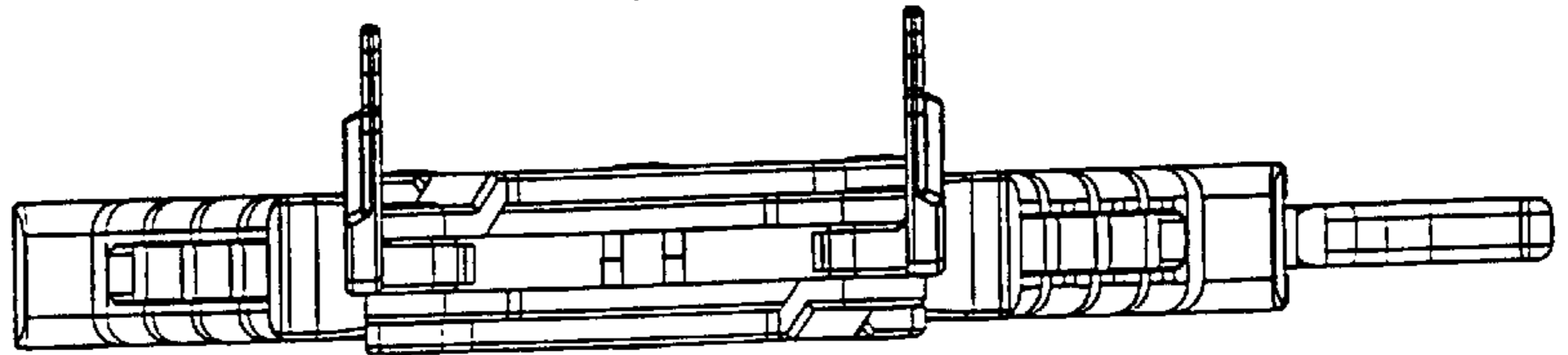


Fig. 8

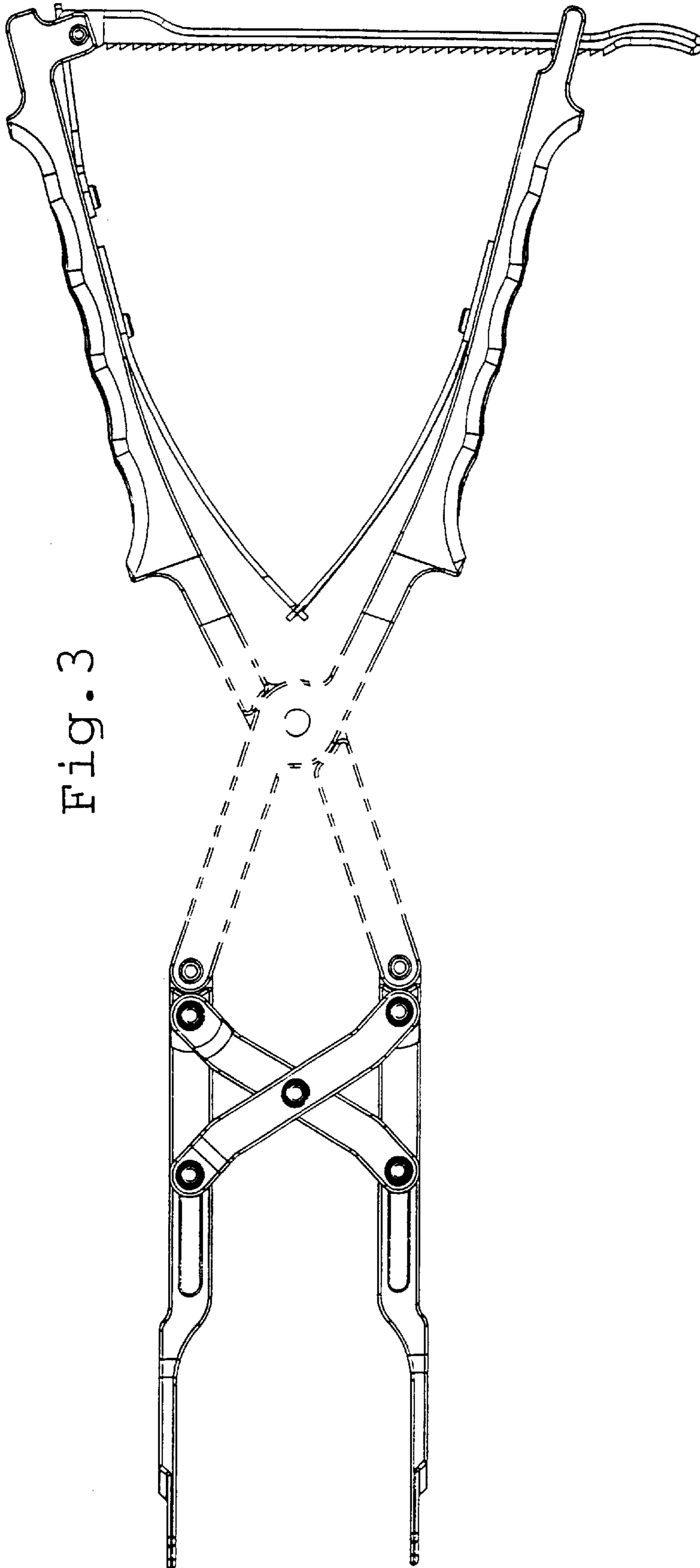


Fig. 3

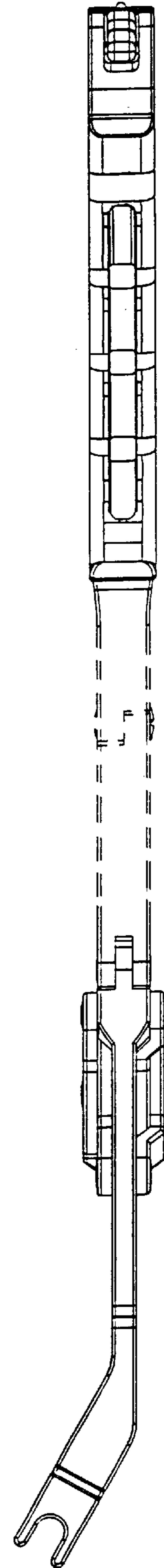


Fig. 4



Fig. 6

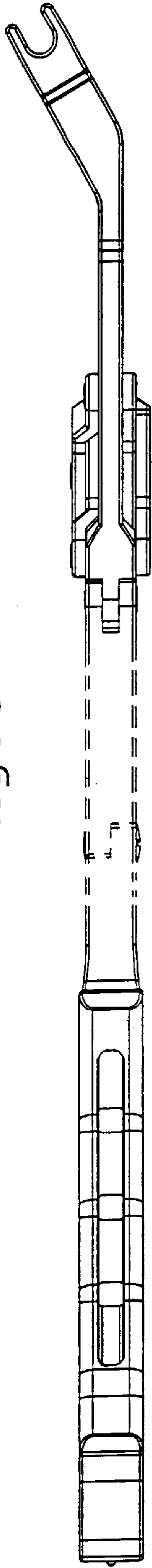
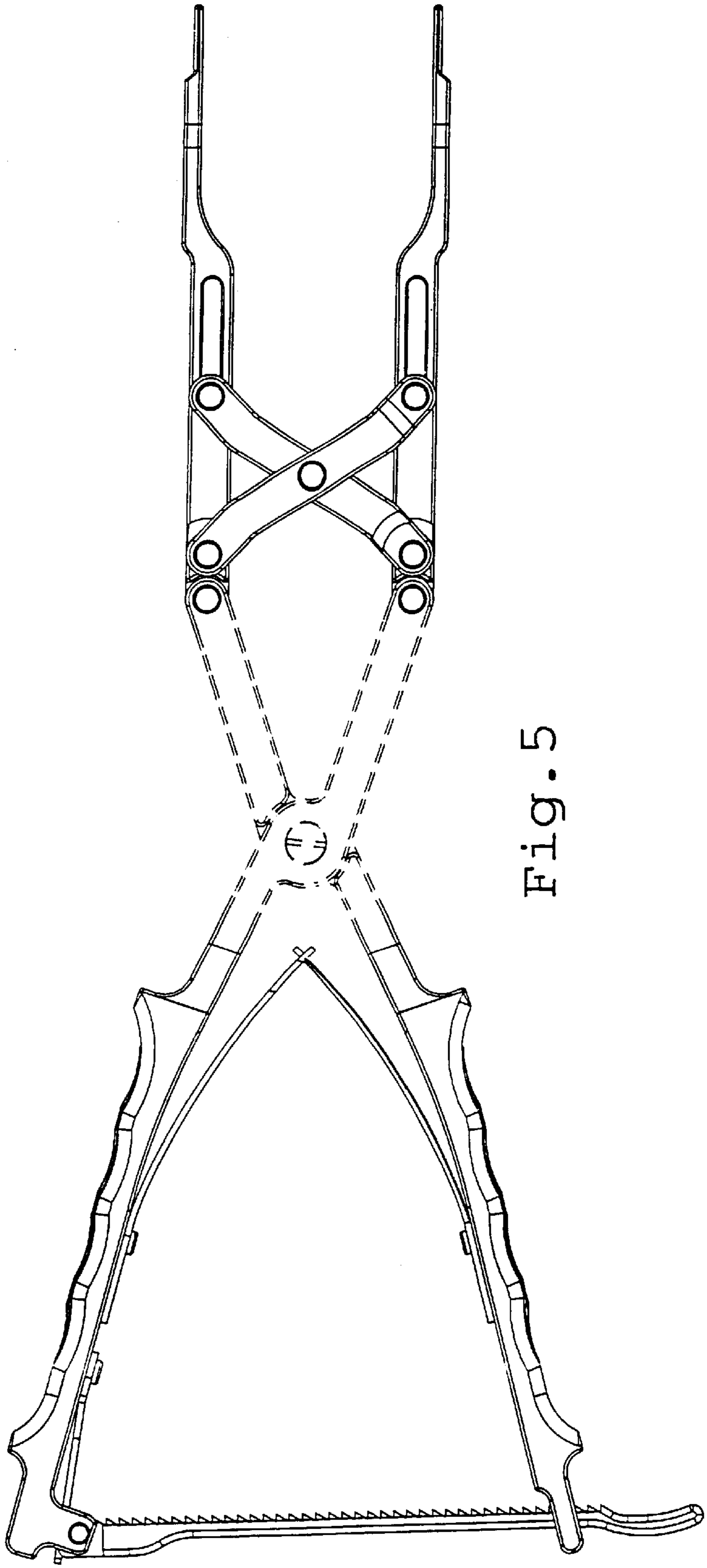


Fig. 5



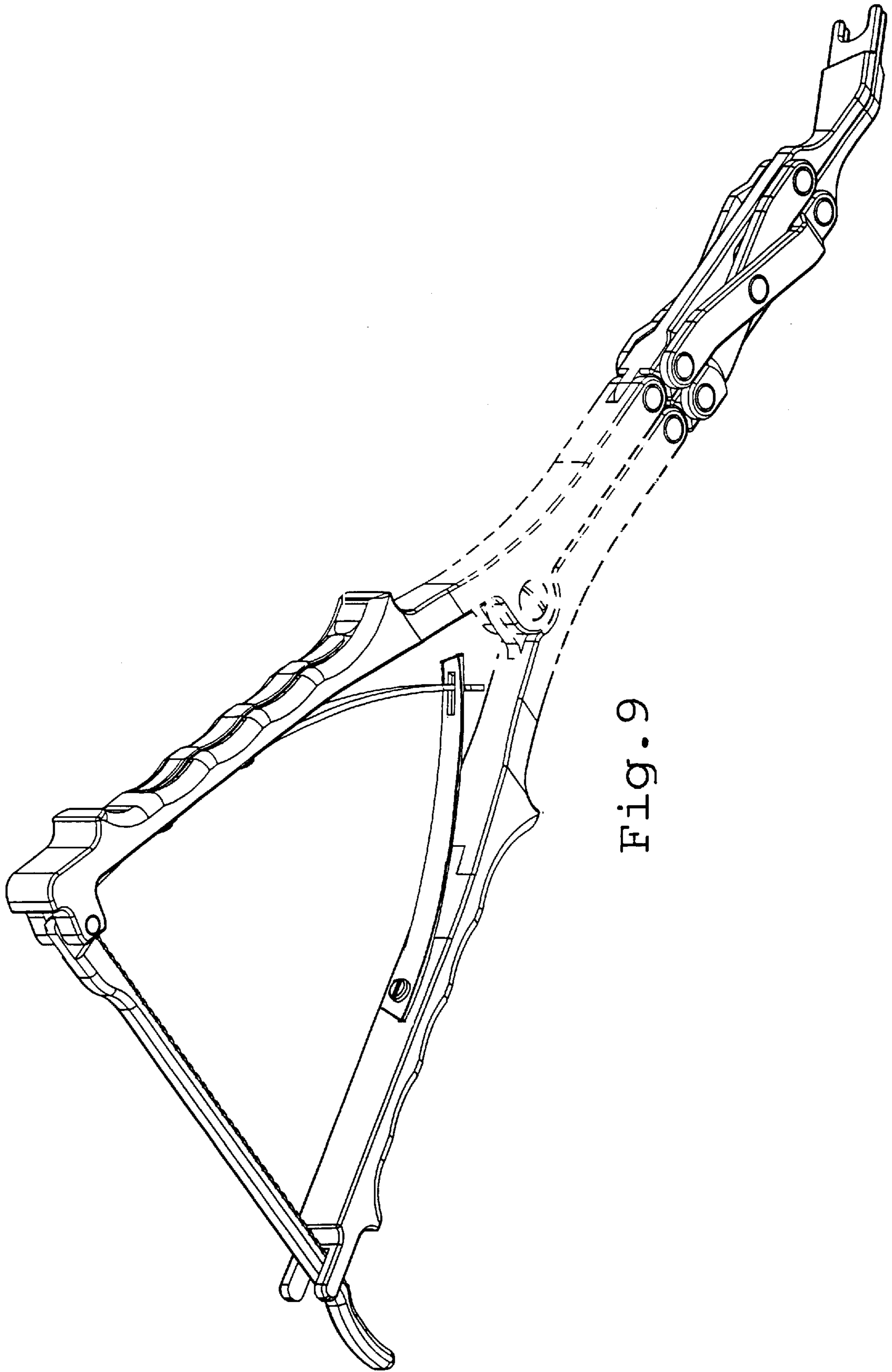


Fig. 9

Fig. 10

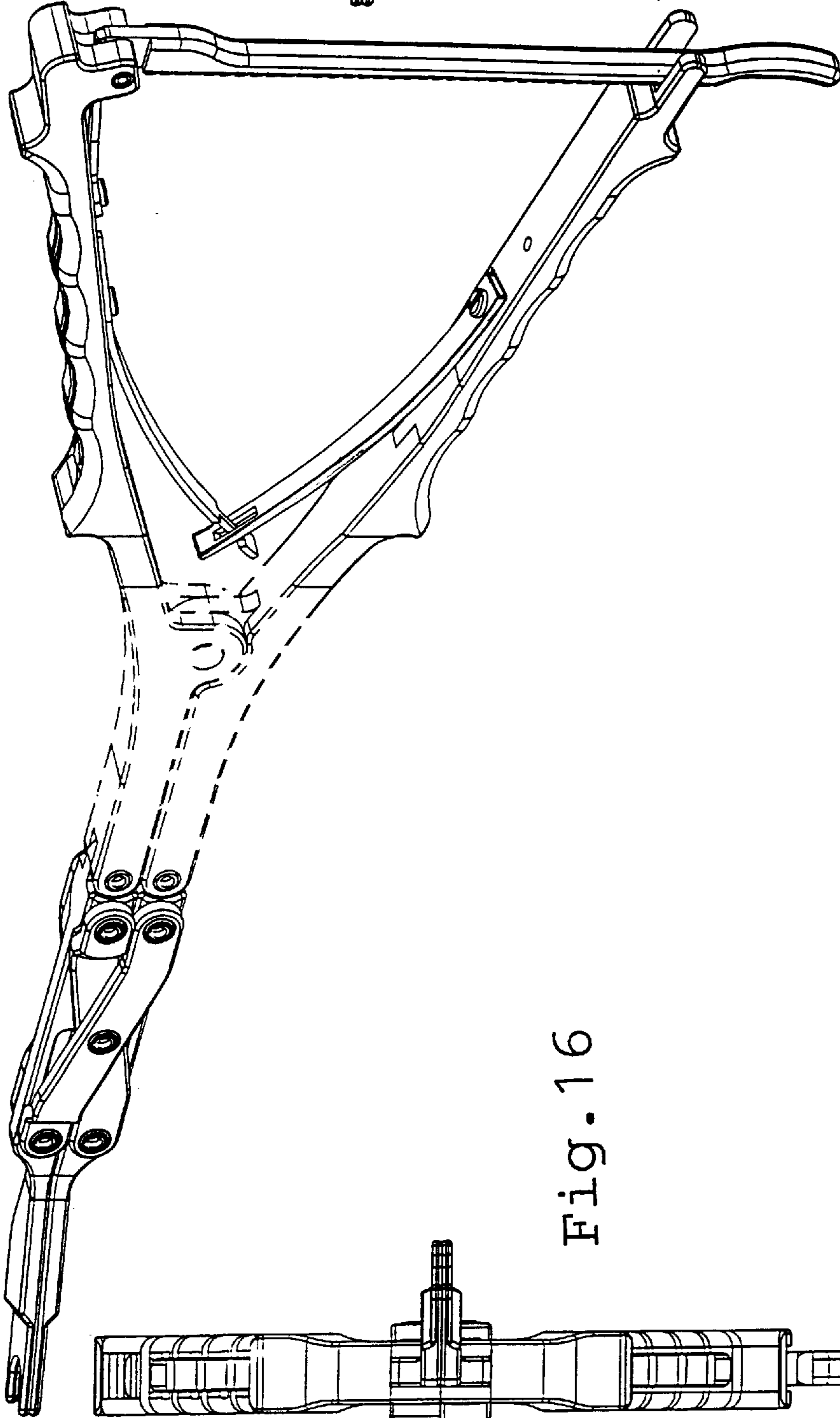


Fig. 16

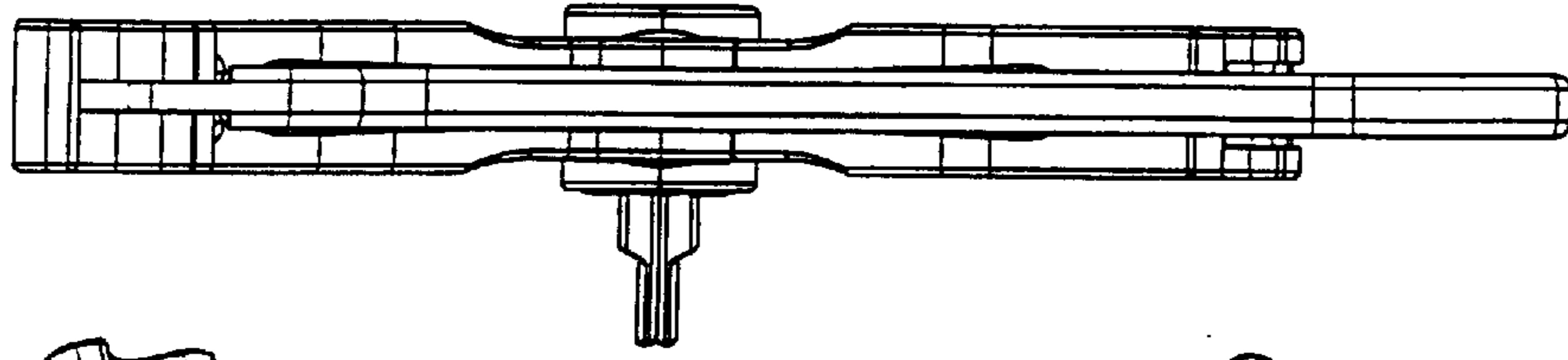
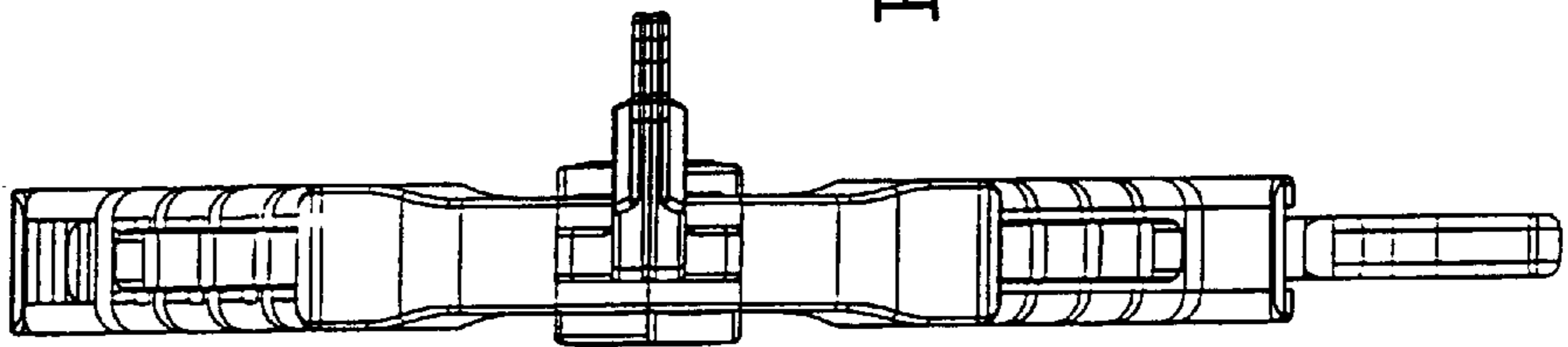


Fig. 15

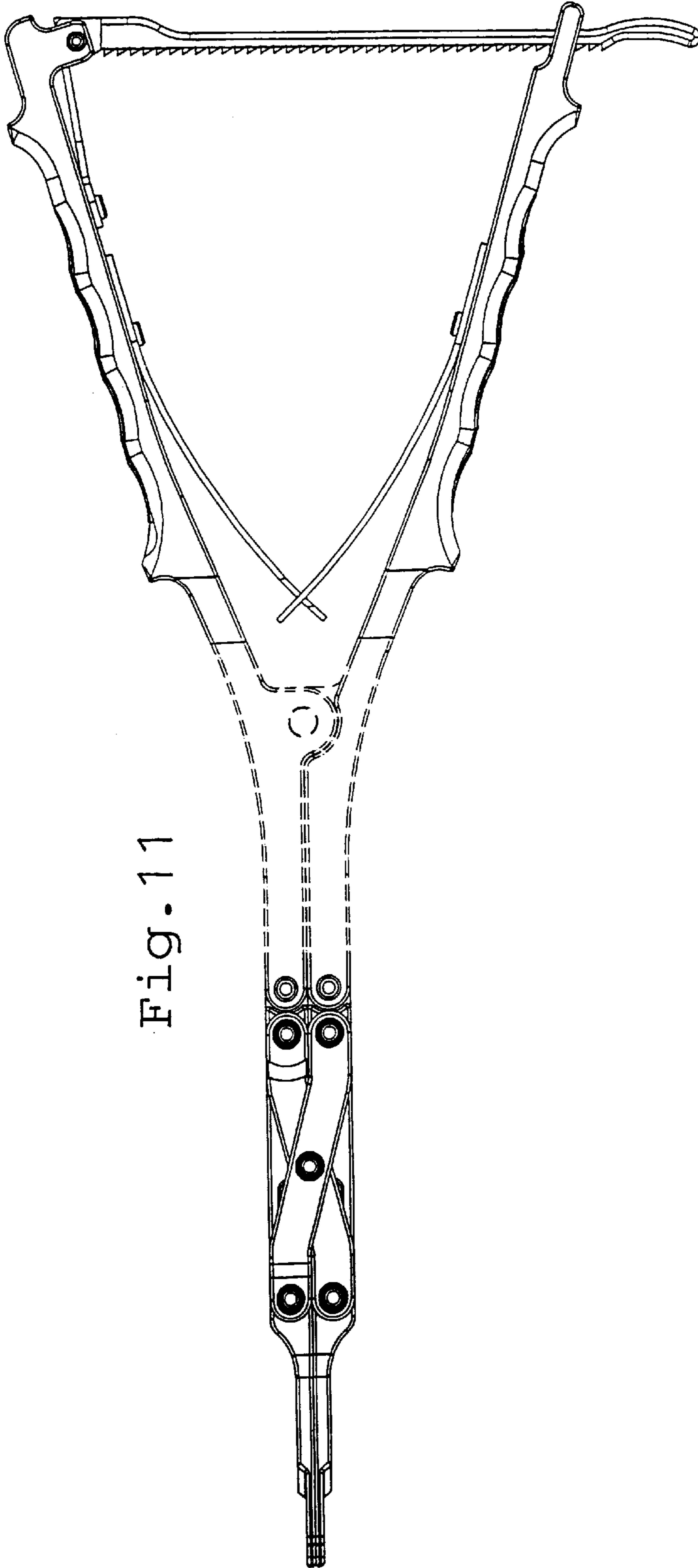


Fig. 11

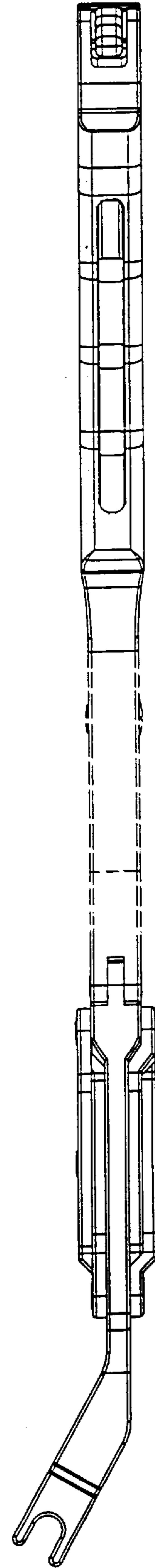


Fig. 12



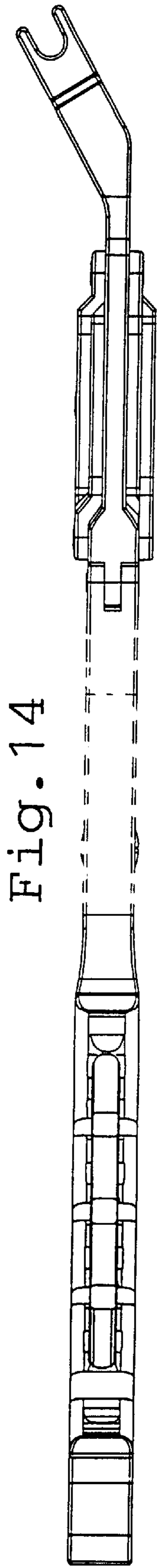


Fig. 14

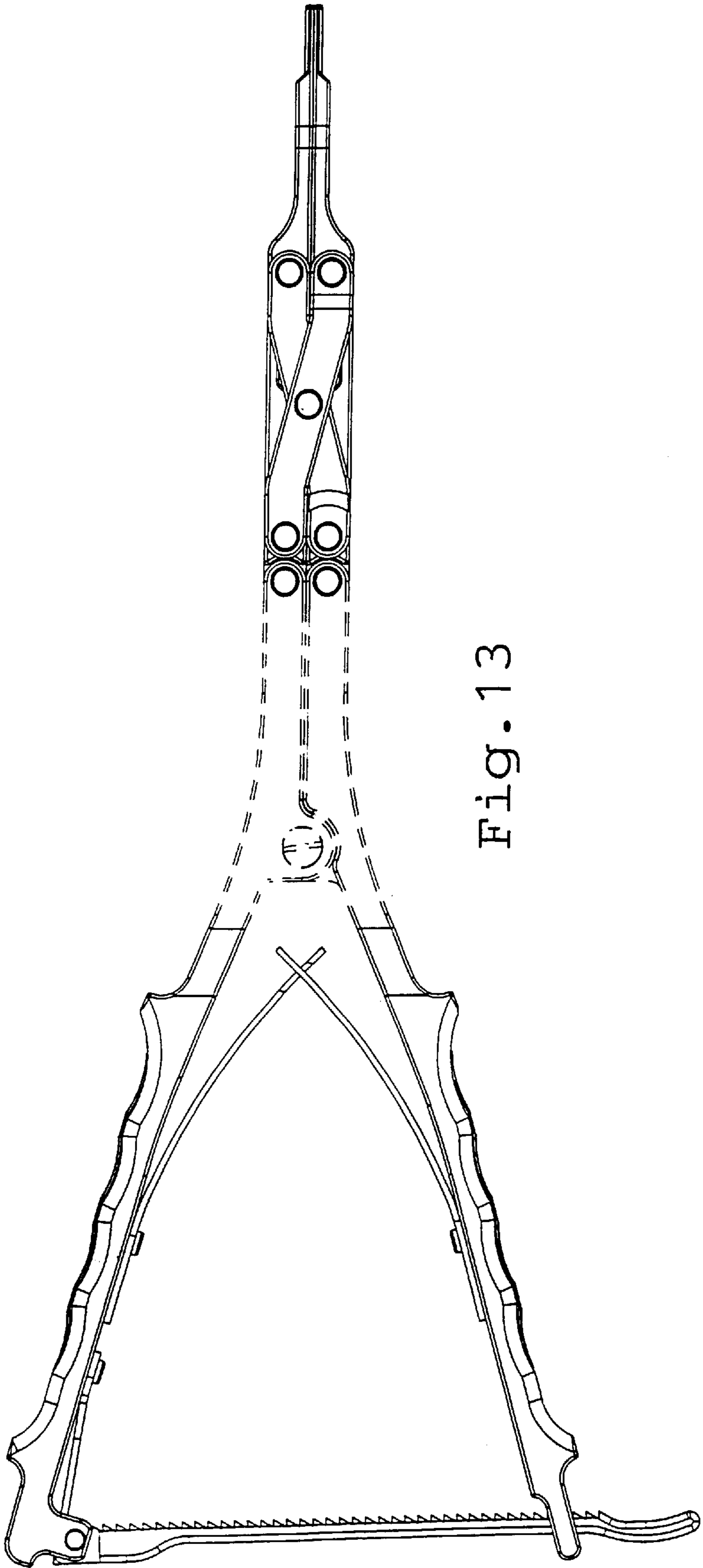


Fig. 13

UNITED STATES PATENT AND TRADEMARK OFFICE  
**CERTIFICATE OF CORRECTION**

PATENT NO. : Des. 488,229 S  
DATED : April 6, 2004  
INVENTOR(S) : James A. Rinner and Timothy J. Michna

Page 1 of 1

It is certified that error appears in the above-identified patent and that said Letters Patent is hereby corrected as shown below:

Title page,

Item [56], **References Cited**, U.S. PATENT DOCUMENTS, include the following:

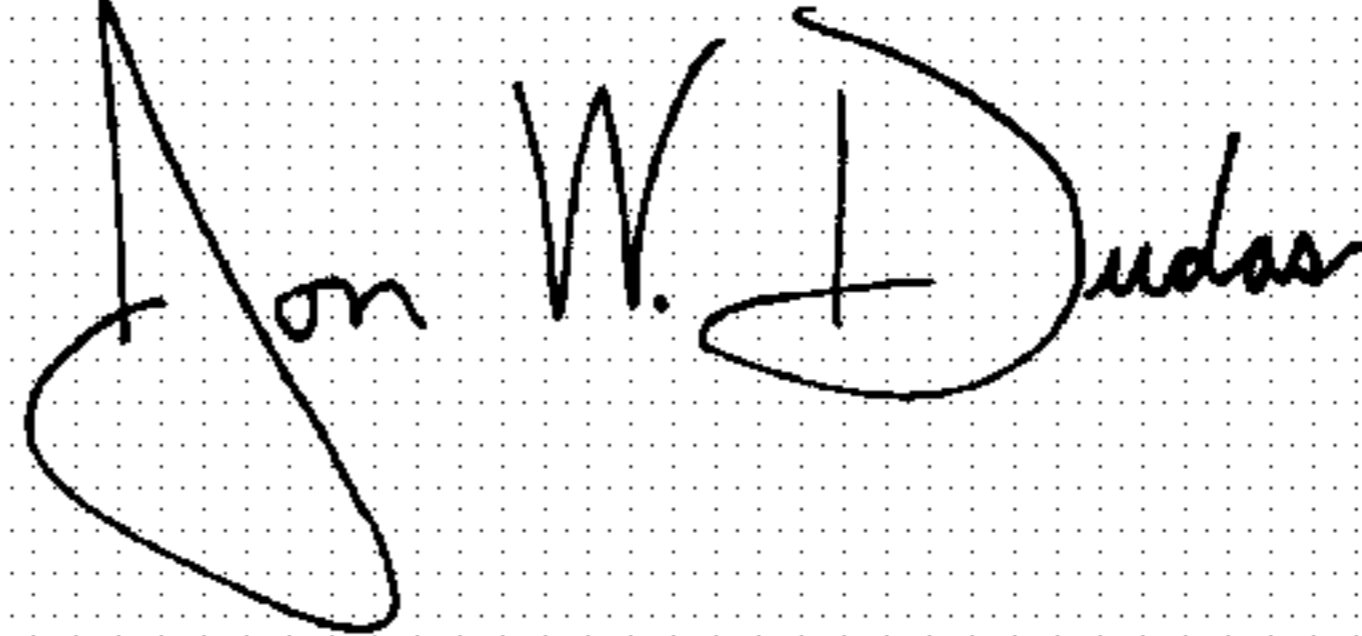
-- 4,502,475 3/1985 Weigle 128/92 EB  
4,898,161 2/1990 Grundei  
5,529,571 6/1996 Daniel  
5,885,210 3/1999 Cox 600/214 EB --

OTHER PUBLICATIONS, include the following:

-- Compressors and Distractors, author unknown, Published by Beere Precision Medical Instruments, Inc. Racine, Wisconsin, 1998 --

Signed and Sealed this

Twenty-fifth Day of May, 2004

A handwritten signature in black ink on a dotted background. The signature reads "Jon W. Dudas" in a cursive style.

JON W. DUDAS

*Acting Director of the United States Patent and Trademark Office*