



US00D488218S

(12) **United States Design Patent**  
**Burns**

(10) **Patent No.:** **US D488,218 S**

(45) **Date of Patent:** **\*\* Apr. 6, 2004**

(54) **CEILING FAN MOTOR HOUSING**

(75) Inventor: **James P. Burns**, Memphis, TN (US)

(73) Assignee: **Hunter Fan Company**, Memphis, TN (US)

(\*\*) Term: **14 Years**

(21) Appl. No.: **29/178,581**

(22) Filed: **Mar. 27, 2003**

(51) **LOC (7) Cl.** ..... **23-04**

(52) **U.S. Cl.** ..... **D23/411**

(58) **Field of Search** ..... D23/411, 377,  
D23/379, 385; 416/5; 392/364

(56) **References Cited**

**U.S. PATENT DOCUMENTS**

D408,073 S	*	4/1999	Tai	.....	D23/377
D408,520 S	*	4/1999	Zuege	.....	D23/411
D408,909 S	*	4/1999	Zuege	.....	D23/411

**OTHER PUBLICATIONS**

Casablanca Fan Company 2002 Product Catalog p. 24 (Brescia), p. 37 (Campana), p. 41 (Capistrano), and p. 49 (Estrada).

Hunter Fan Company 2002 Brochure, Marseille and 1930's Original.

\* cited by examiner

*Primary Examiner*—Lisa Lichtenstein

(74) *Attorney, Agent, or Firm*—Baker Donelson

(57) **CLAIM**

The ornamental design for a ceiling fan motor housing, as shown and described.

**DESCRIPTION**

FIG. 1 is a perspective view of a ceiling fan motor housing showing my new design.

FIG. 2 is an enlarged front view thereof, the rear view being a mirror image thereof.

FIG. 3 is an enlarged right side view thereof.

FIG. 4 is an enlarged left side view thereof, the rear view being the same thereof.

FIG. 5 is an enlarged top view thereof; and,

FIG. 6 is an enlarged bottom view thereof.

The broken lines in the views shows environmental features which are for illustrative purposes only and form no part of the claimed design.

**1 Claim, 3 Drawing Sheets**

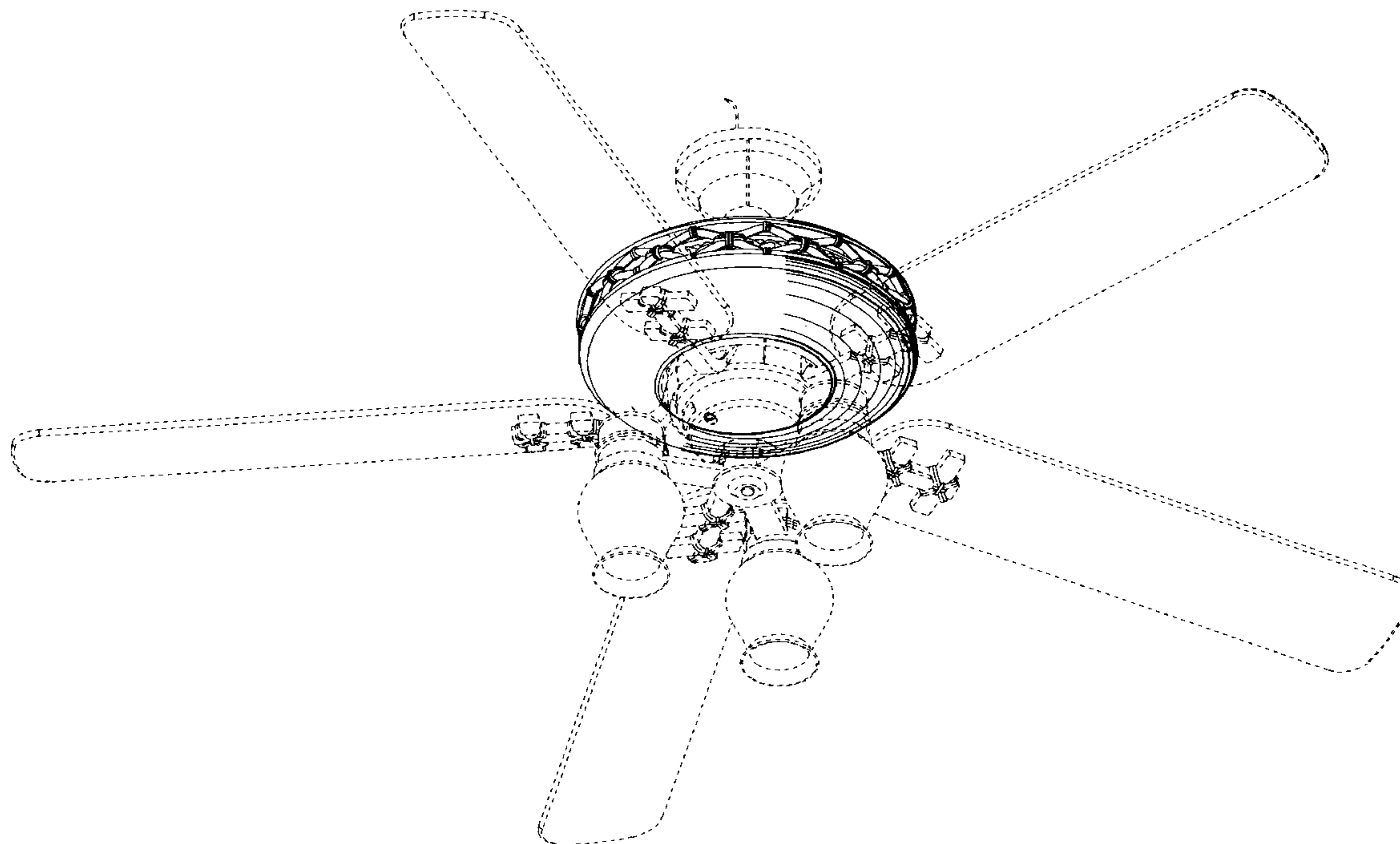


Fig. 1

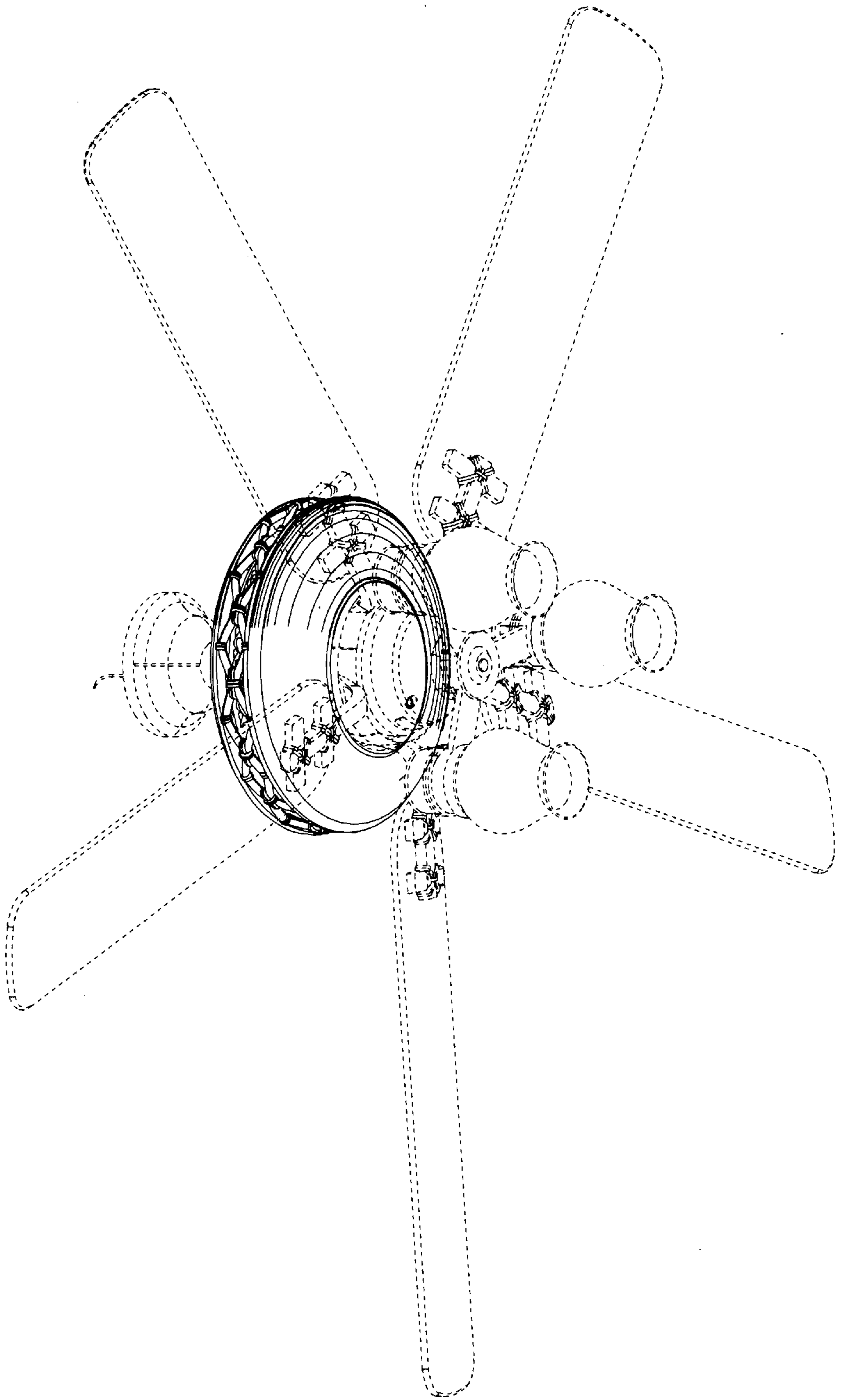


Fig. 2

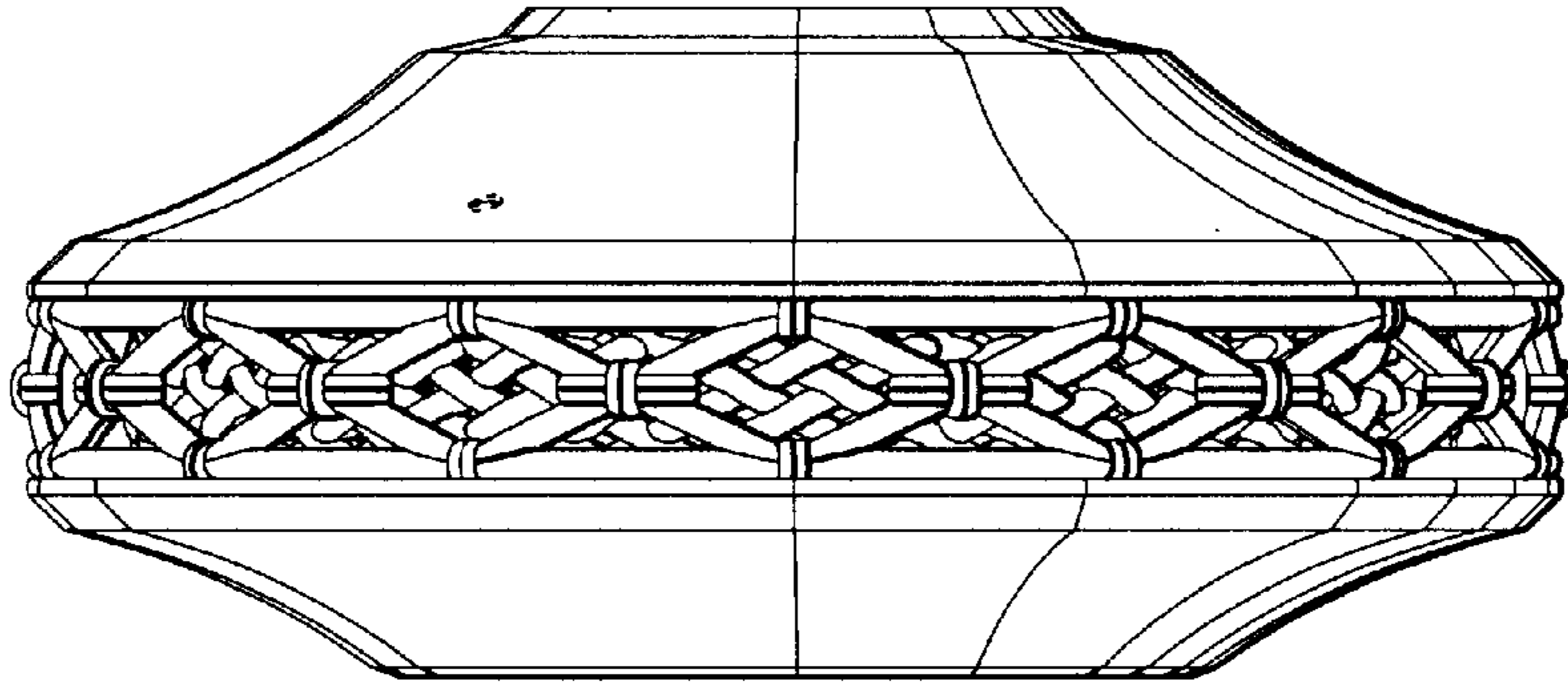


Fig. 3

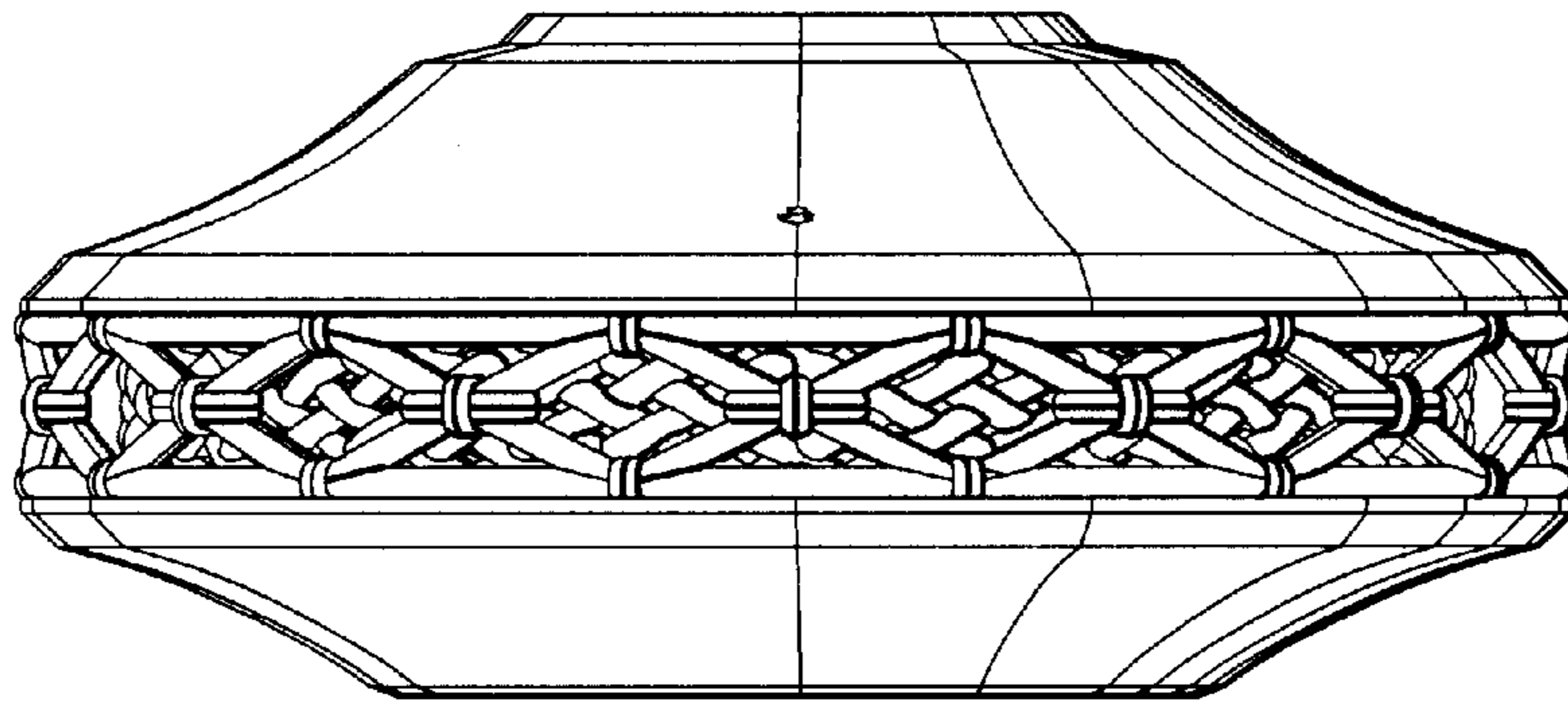


Fig. 4

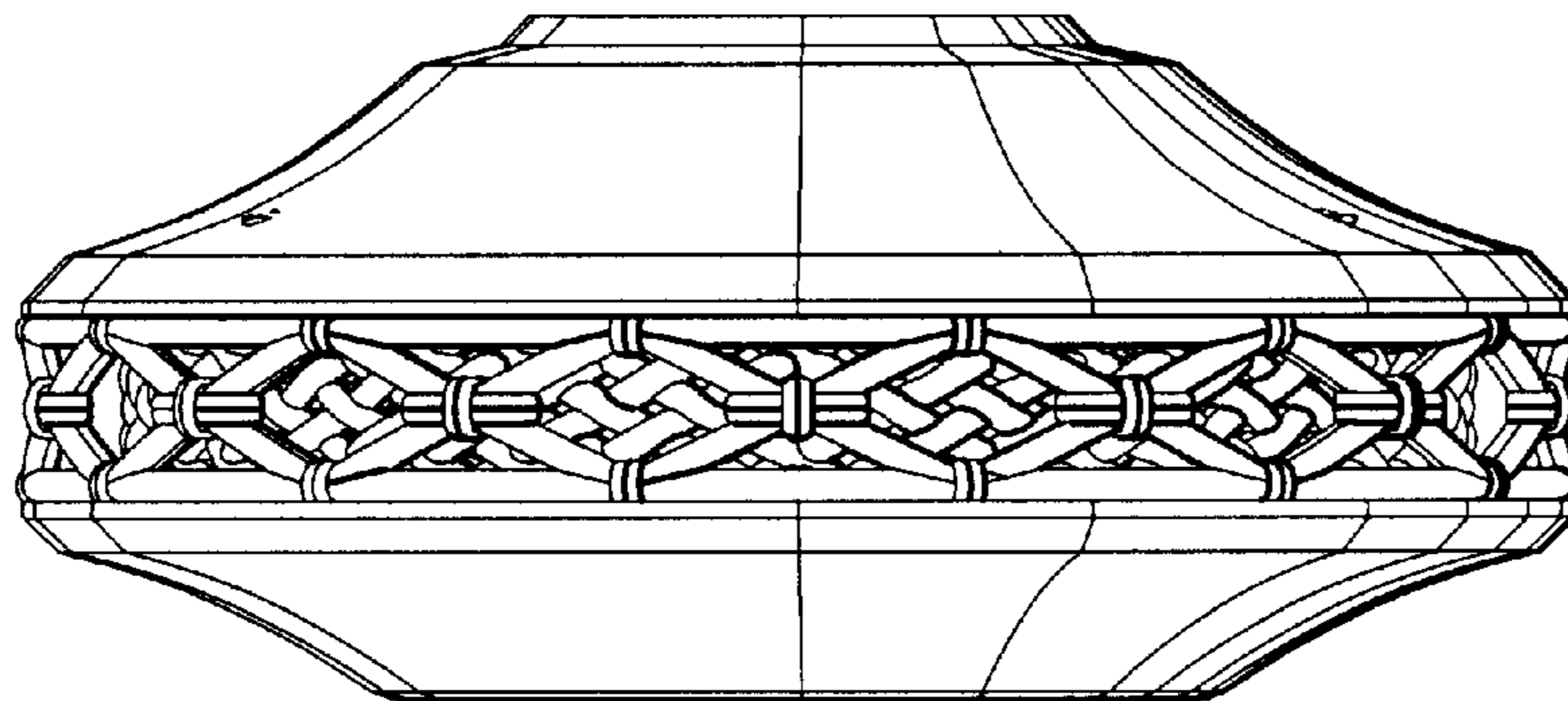


Fig. 5

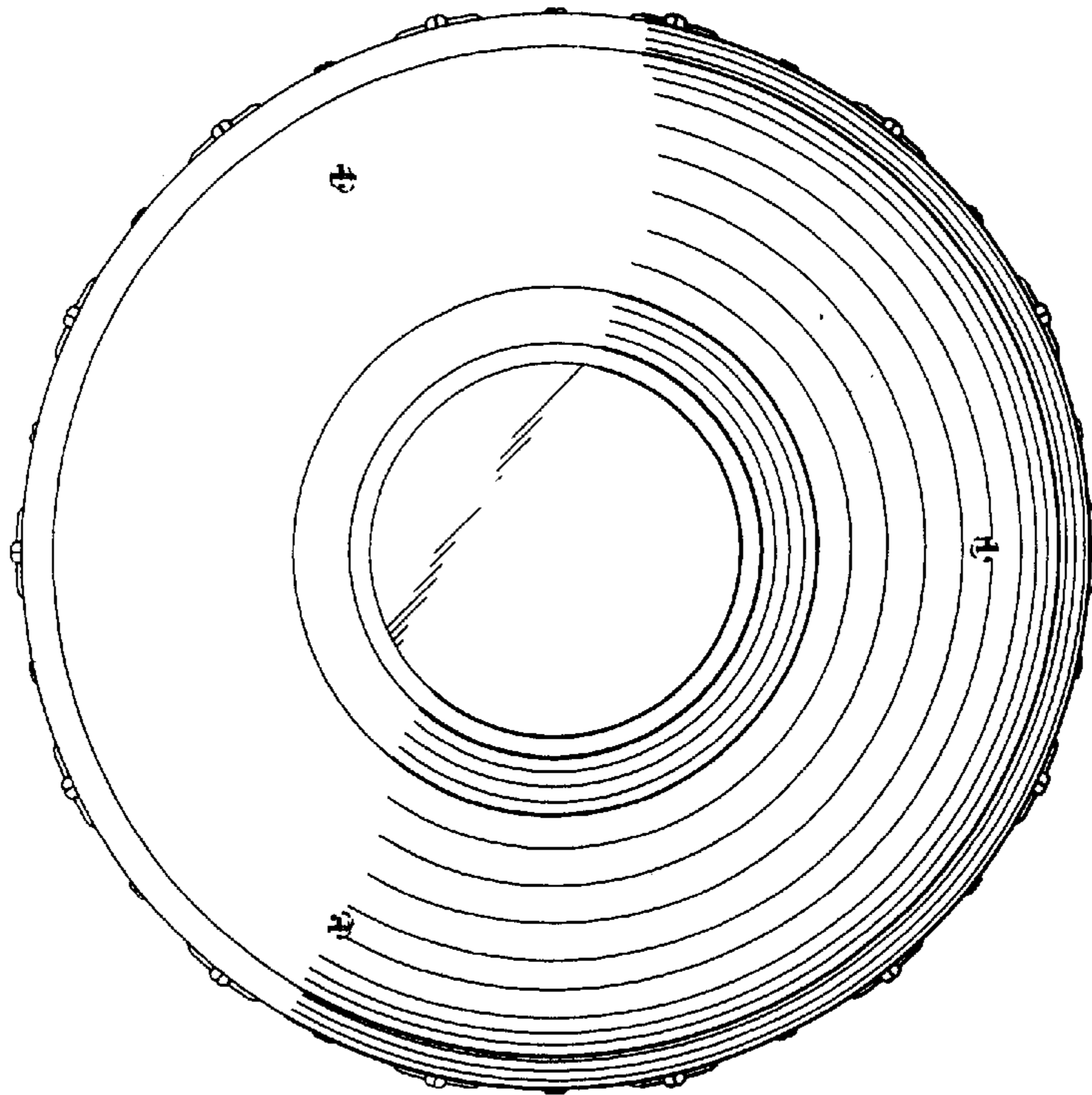


Fig. 6

