



US00D488217S

(12) **United States Design Patent**
Stout, Jr.

(10) **Patent No.:** **US D488,217 S**

(45) **Date of Patent:** **** *Apr. 6, 2004**

(54) **BELL MOUTH WITH A CRIMPED END**

FOREIGN PATENT DOCUMENTS

- (75) Inventor: **William K. Stout, Jr.**, Mason, OH (US)
- (73) Assignee: **Eastern Sheet Metal LLC**, Cincinnati, OH (US)
- (*) Notice: This patent is subject to a terminal disclaimer.
- (**) Term: **14 Years**
- (21) Appl. No.: **29/177,443**
- (22) Filed: **Mar. 10, 2003**

DE	2840962	4/1979
DK	150025 B	11/1986
EP	092881 A2	11/1983
EP	0273221 B1	7/1988
EP	0389462 A1	9/1990
EP	0758066 B1	2/1997
FR	2015241	4/1970
GB	1587018	3/1981
IT	1285018	3/1998
NO	174861	4/1994
SE	13987	1/1974
SE	17788	4/1976
SE	19819	4/1977
SE	25473	4/1980
SE	25610	4/1980
SE	26059	7/1980
SE	26995	12/1980
WO	WO9415133	7/1994

Related U.S. Application Data

- (62) Division of application No. 29/138,847, filed on Mar. 20, 2001, now Pat. No. Des. 475,130.
- (51) **LOC (7) Cl.** **23-04**
- (52) **U.S. Cl.** **D23/393**
- (58) **Field of Search** D23/259, 262, D23/263, 266, 386, 387, 391, 393, 394; 138/111-117, DIG. 4, DIG. 11, 177; 285/47, 123.15, 123.16, 110, 374, 347, 232-234, 123.1, 123.3-123.7, 123.9, 122.1, 125.1, 129.1, 129.2, 131, 132.1, 133.11, 133.3, 133.6, 136.1, 139.1, 139.2, 139.3, 141.1, 412.1, 143.1, 148.22, 148.23, 148.24, 148.25, 189, 197-200, 332, 332.1, 334.1, 334.5, 405, 424; 454/228-236, 243, 270, 903, 906; 126/307 R, 312, 307 A, 314-317

(56) **References Cited**

U.S. PATENT DOCUMENTS

D25,709 S	6/1896	Pratt
1,565,918 A	12/1925	Fitzgerald
1,570,974 A	1/1926	Stevens
1,685,701 A	9/1928	Blanchard
2,314,386 A	3/1943	Brend

(List continued on next page.)

OTHER PUBLICATIONS

- “Sistema Di Tenuta Ring”, Issued by Climovent System, an Italian Company; pp. 1-6 (Undated).
- “Veloduct” catalog 1997, ABB Ventilation Products AB, Division Veloduct.
- Hallstroms Verkstader 2 page advertisement and an English translation of portions thereof. Mar. 21, 2000.

(List continued on next page.)

Primary Examiner—Philip S. Hyder
Assistant Examiner—C Tuttle
 (74) *Attorney, Agent, or Firm*—Dinsmore & Shohl LLP

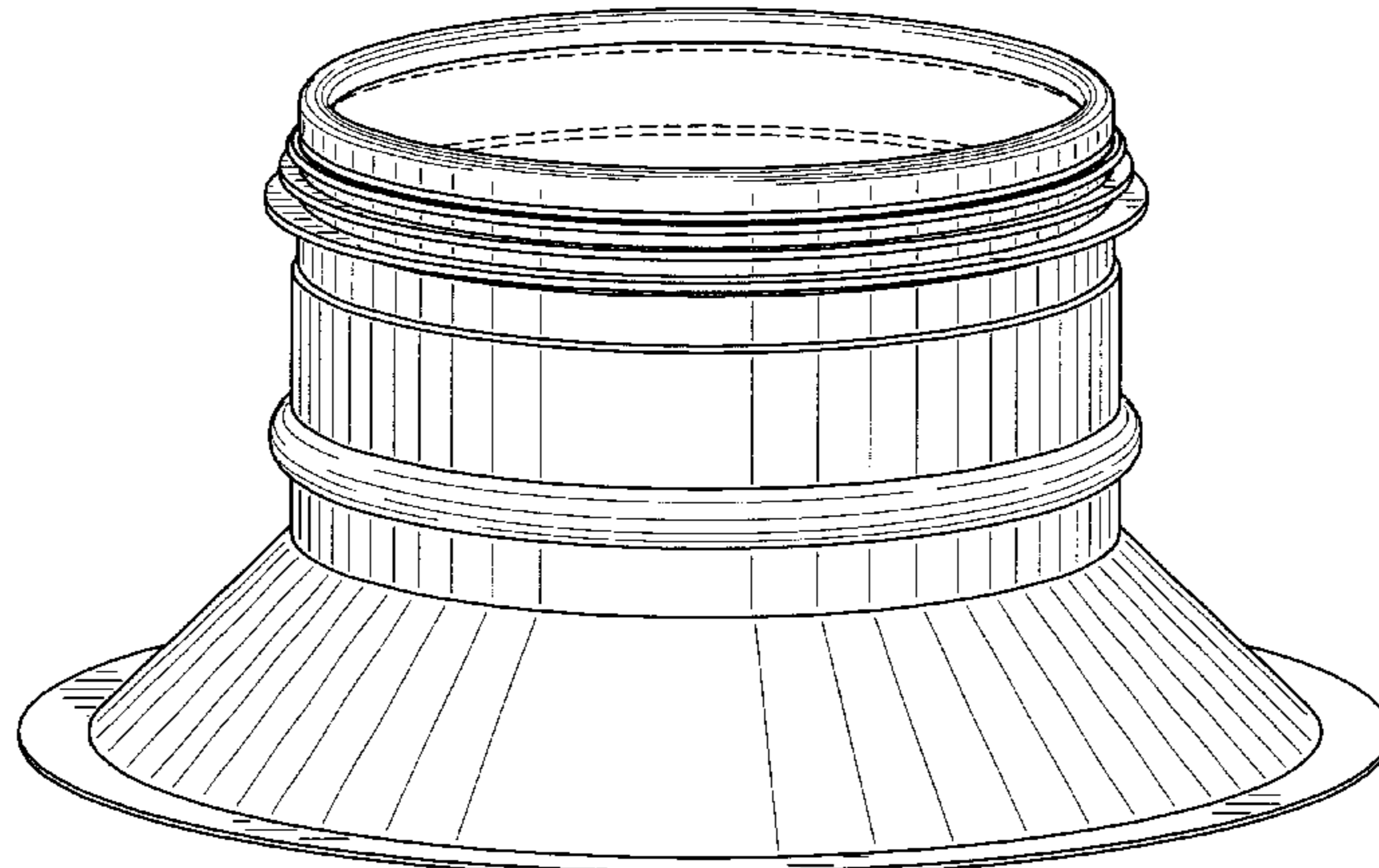
(57) **CLAIM**

The ornamental design for a bell mouth with a crimped end, as shown and described.

DESCRIPTION

The sole FIGURE is a perspective view of the bell mouth with a crimped end.
 The broken line showing of the interior structures is for illustrative purposes only and forms no part of the claimed design.

1 Claim, 1 Drawing Sheet



U.S. PATENT DOCUMENTS

2,544,108 A 3/1951 Richardson
 2,907,592 A 10/1959 Bailey
 2,930,635 A 3/1960 Woodling
 3,015,510 A 1/1962 Bates
 3,749,425 A 7/1973 Howland
 D234,847 S 4/1975 Hoffman
 3,955,834 A 5/1976 Ahlrot
 4,007,941 A 2/1977 Stancati
 4,050,703 A 9/1977 Tuvevsson et al.
 4,193,246 A 3/1980 Schiefer et al.
 4,216,981 A 8/1980 Jensen
 4,369,159 A 1/1983 Irmer
 D273,702 S 5/1984 Widerby et al.
 4,569,110 A 2/1986 Goettel
 4,583,772 A 4/1986 Vassallo et al.
 4,606,706 A 8/1986 Utter
 4,664,421 A 5/1987 Jones
 4,846,147 A 7/1989 Townsend et al.
 5,314,212 A 5/1994 Sanders
 5,405,174 A 4/1995 Sondén et al.
 5,407,122 A 4/1995 Stefansson et al.
 D360,018 S 7/1995 Sondén et al.
 D360,019 S 7/1995 Sondén et al.
 D360,020 S 7/1995 Sondén et al.
 D360,021 S 7/1995 Sondén et al.
 D361,829 S 8/1995 Sondén et al.
 D362,299 S 9/1995 Sondén et al.
 D362,300 S 9/1995 Sondén et al.
 D363,115 S 10/1995 Lennartsson
 5,473,815 A 12/1995 Sonden et al.
 D367,316 S 2/1996 Sondén et al.
 D368,304 S 3/1996 Morrison
 5,531,460 A 7/1996 Stefansson et al.
 D377,829 S 2/1997 Andresen
 5,599,600 A 2/1997 Rau
 5,649,662 A 7/1997 Krichau et al.
 D383,053 S 9/1997 Schrader et al.
 D383,195 S 9/1997 Sondén et al.
 D383,196 S 9/1997 Sondén et al.
 D386,246 S 11/1997 Sondén et al.
 D402,354 S 12/1998 Strong et al.
 D407,802 S 4/1999 Hatfield et al.

D427,667 S 7/2000 Stout, Jr.
 D427,668 S 7/2000 Stout, Jr.
 D427,673 S 7/2000 Stout, Jr.
 D430,482 S 9/2000 Stout, Jr.
 D435,090 S 12/2000 Stout, Jr.
 D437,034 S 1/2001 Stout, Jr.
 6,170,883 B1 1/2001 Mattsson et al.
 D447,223 S 8/2001 Mattsson et al.
 6,322,111 B1 11/2001 Brady
 D454,949 S 3/2002 Mattsson et al.
 D456,071 S 4/2002 Mattsson et al.
 D456,072 S 4/2002 Mattsson et al.
 D461,887 S 8/2002 Mattsson et al.
 6,431,609 B1 8/2002 Andersson

OTHER PUBLICATIONS

U.S. patent application Ser. No. 29/138,761.
 U.S. patent application Ser. No. 29/138,838.
 U.S. patent application Ser. No. 29/138,820.
 U.S. patent application Ser. No. 29/138,785.
 U.S. patent application Ser. No. 29/138,839.
 U.S. patent application Ser. No. 29/138,830.
 U.S. patent application Ser. No. 29/138,818.
 U.S. patent application Ser. No. 29/138,819.
 U.S. patent application Ser. No. 29/138,782.
 U.S. patent application Ser. No. 29/138,790.
 U.S. patent application Ser. No. 29/138,783.
 U.S. patent application Ser. No. 29/138,786.
 U.S. patent application Ser. No. 29/138,771.
 U.S. patent application Ser. No. 29/138,760.
 U.S. patent application Ser. No. 29/138,836.
 U.S. patent application Ser. No. 29/138,764.
 U.S. patent application Ser. No. 29/138,668.
 U.S. patent application Ser. No. 29/138,772.
 U.S. patent application Ser. No. 29/138,784.
 U.S. patent application Ser. No. 29/138,781.
 U.S. patent application Ser. No. 29/138,842.
 U.S. patent application Ser. No. 29/138,837.
 U.S. patent application Ser. No. 29/138,763.
 U.S. patent application Ser. No. 29/138,829.
 U.S. patent application Ser. No. 29/138,762.

