



US00D488213S

(12) **United States Design Patent**
Millan

(10) **Patent No.:** **US D488,213 S**

(45) **Date of Patent:** **** Apr. 6, 2004**

(54) **ELECTRICAL AIR FRESHENER**

(75) Inventor: **Jordi Basagañas Millan**, Barcelona (ES)

(73) Assignee: **DBK Espana, S.A.**, Barcelona (ES)

(**) Term: **14 Years**

(21) Appl. No.: **29/165,903**

(22) Filed: **May 14, 2002**

(30) **Foreign Application Priority Data**

Nov. 14, 2001 (ES) 152762

(51) **LOC (7) Cl.** **23-04**

(52) **U.S. Cl.** **D23/366**

(58) **Field of Search** D23/366-369,
D23/356-363; 392/390, 392; 239/135, 136,
58; 261/DIG. 17, DIG. 65

(56) **References Cited**

U.S. PATENT DOCUMENTS

D403,419 S * 12/1998 Davis D23/366

D432,222 S * 10/2000 Rymer et al. D23/366

D437,636 S * 2/2001 Basaganas D23/366

* cited by examiner

Primary Examiner—Lisa Lichtenstein

(74) *Attorney, Agent, or Firm*—Katten Muchin Zavis
Rosenman

(57) **CLAIM**

The ornamental design for an electrical air freshener, as shown and described.

DESCRIPTION

FIG. 1 is an exploded view of the electrical air freshener comprising an assembly of a lid, a body and a container, showing my new design;

FIG. 2 is a top view of the assembled electrical air freshener of FIG. 1;

FIG. 3 is a side elevation view thereof;

FIG. 4 is a front elevation view thereof;

FIG. 5 is a top view of the lid portion of the electrical air freshener of FIG. 1, shown separately for clarity of illustration;

FIG. 6 is a side elevation view of FIG. 5;

FIG. 7 is a front elevation view of FIG. 5;

FIG. 8 is a perspective view taken from the front of an assembly of the container and body of the electrical air freshener of FIG. 1, shown separately for clarity of illustration;

FIG. 9 is a perspective view taken from the right frontal side of FIG. 8;

FIG. 10 is a perspective view taken from the left rear of FIG. 8;

FIG. 11 is a front elevation view of the container portion of the electrical air freshener of FIG. 1 shown separately for clarity of illustration;

FIG. 12 is a left side elevation thereof;

FIG. 13 is a bottom view thereof;

FIG. 14 is a rear elevation thereof;

FIG. 15 is a right side elevation thereof;

FIG. 16 is a top view thereof;

FIG. 17 is a front elevation of the body portion of the electrical air freshener of FIG. 1, shown separately for clarity of illustration.

FIG. 18 is a left side elevation of FIG. 17;

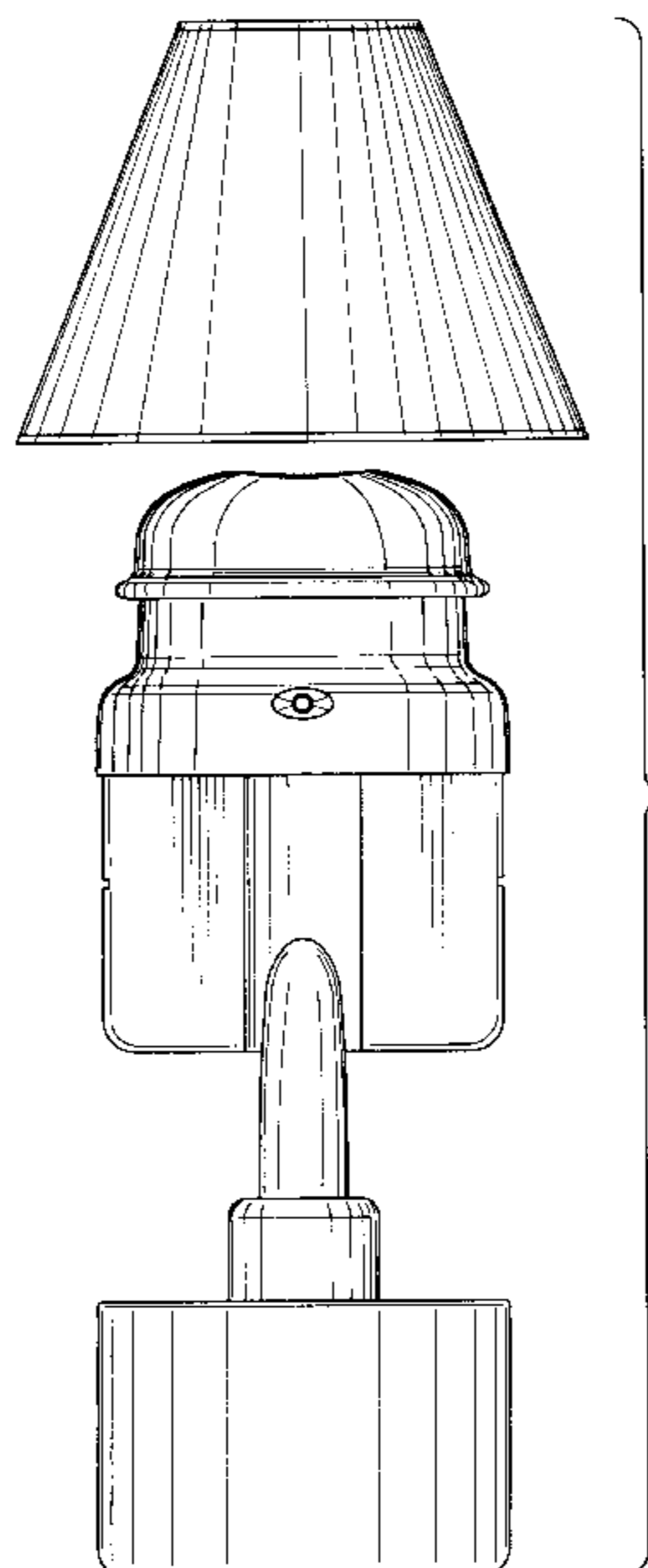
FIG. 19 is a top view of FIG. 17;

FIG. 20 is a rear elevation view of FIG. 17;

FIG. 21 is a right side elevation of FIG. 17; and,

FIG. 22 is a bottom view of FIG. 17.

1 Claim, 9 Drawing Sheets



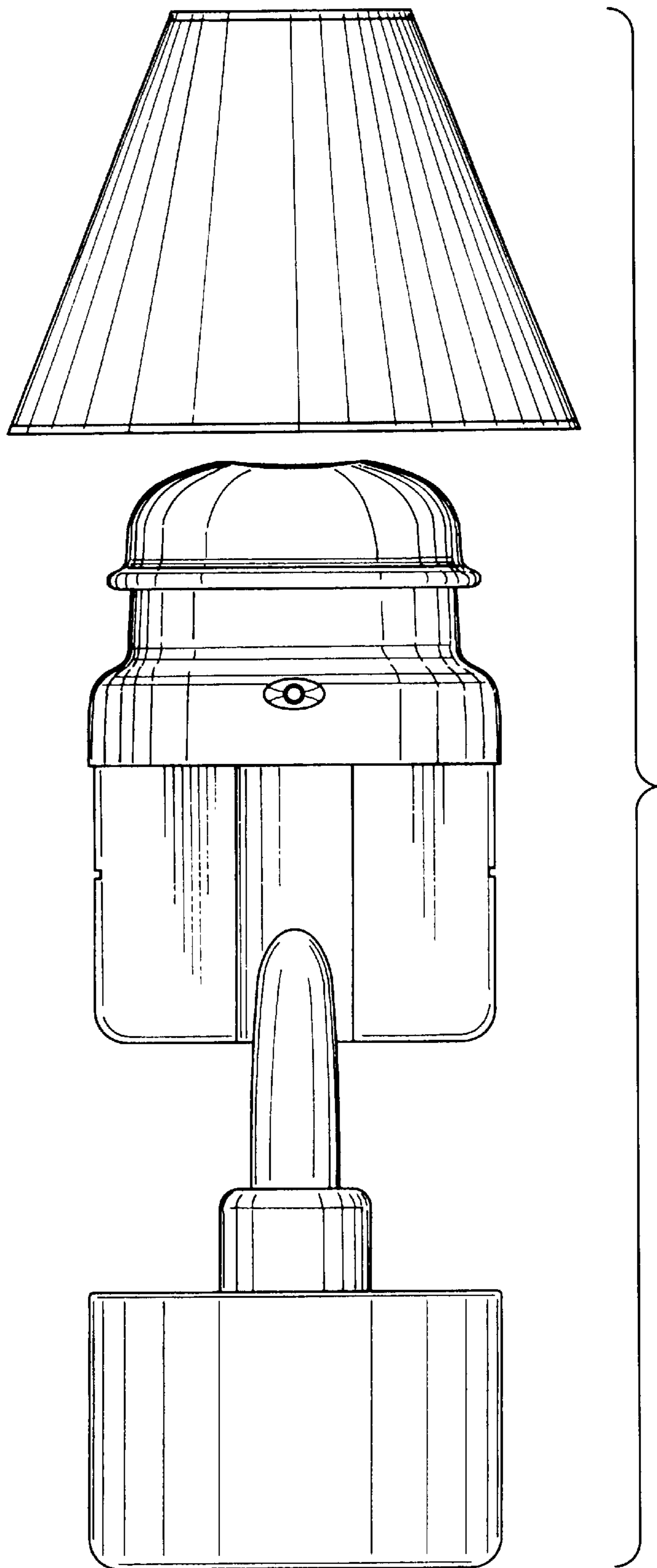


FIG. 1

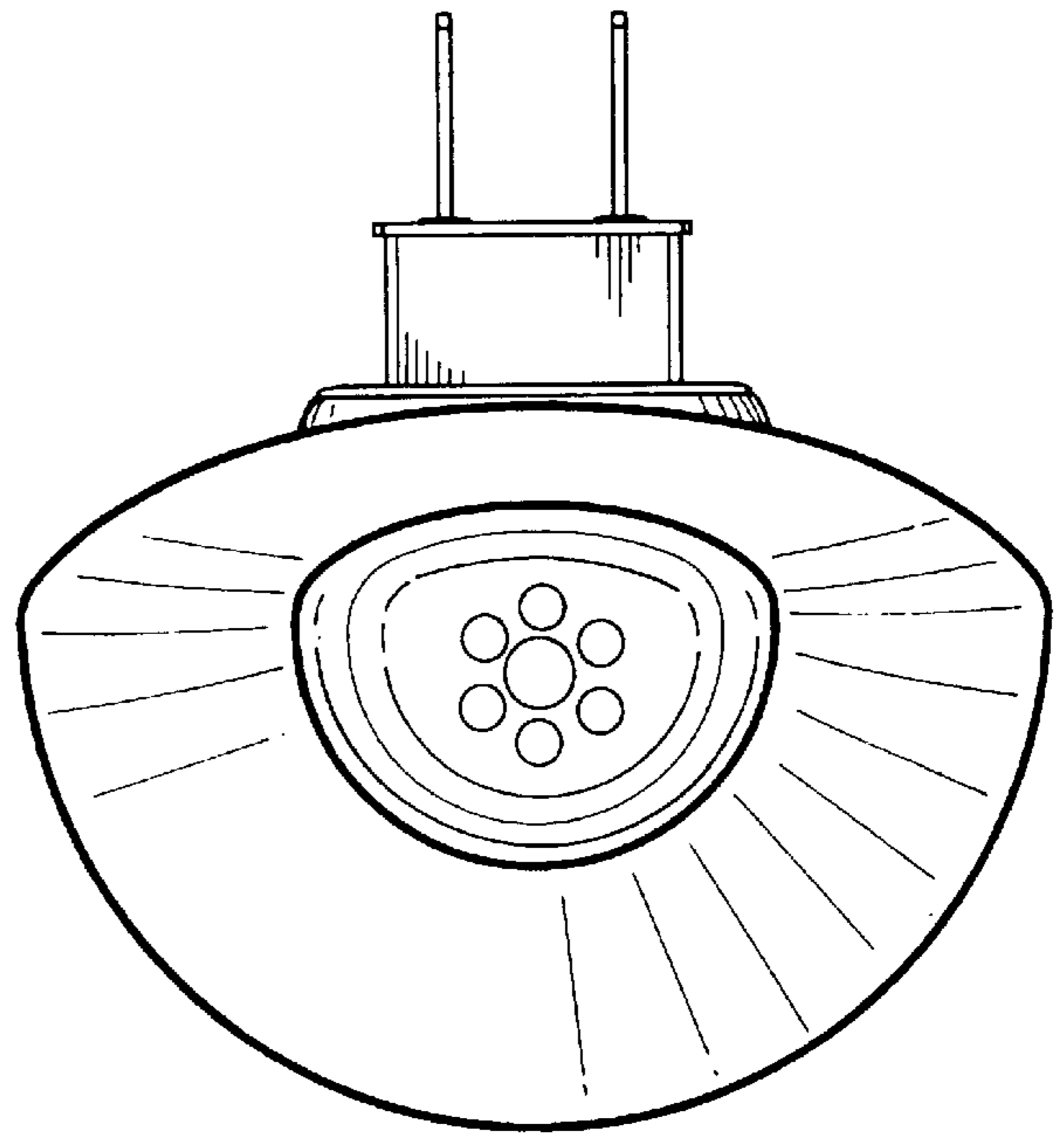


FIG. 2

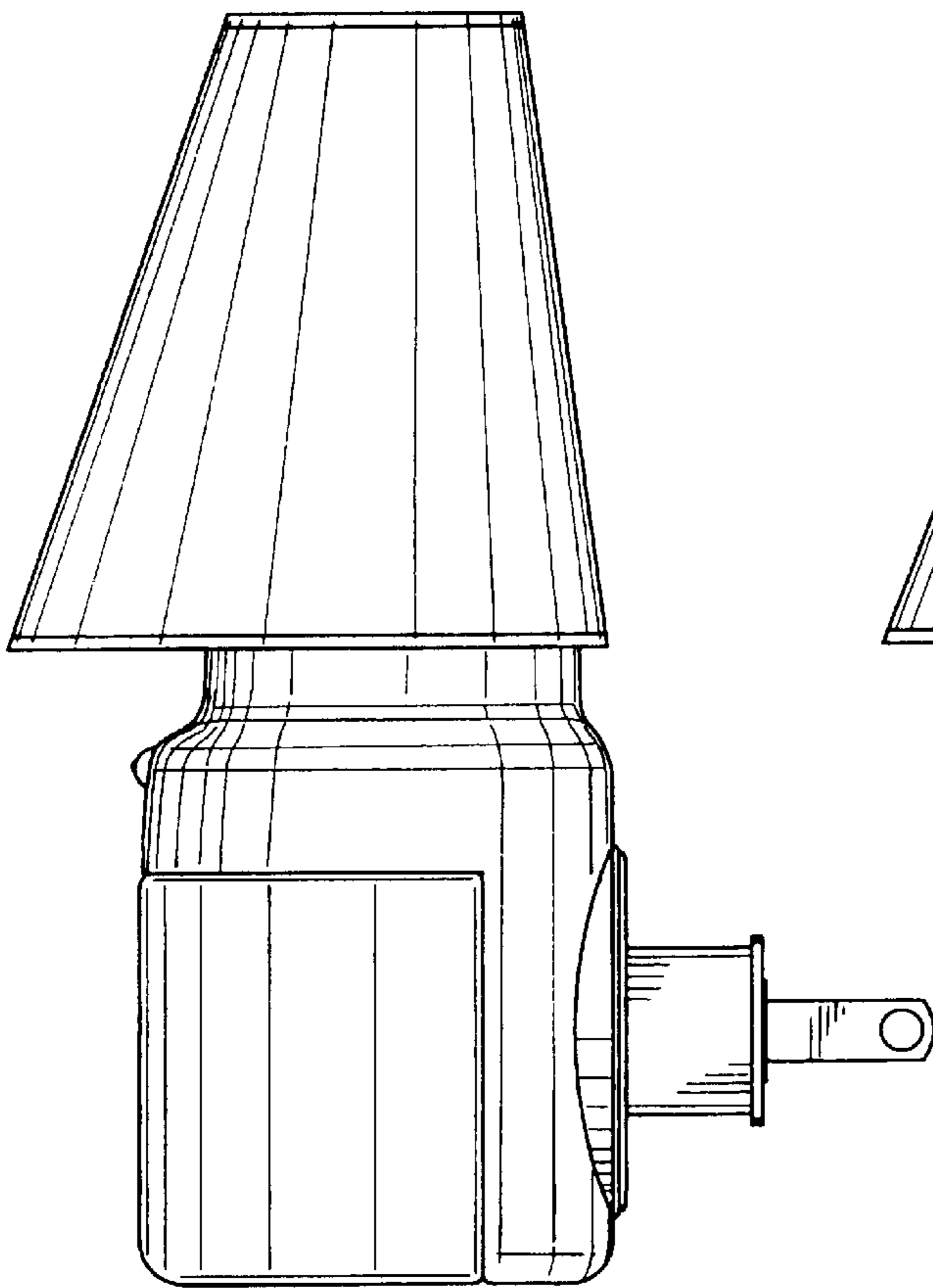


FIG. 3

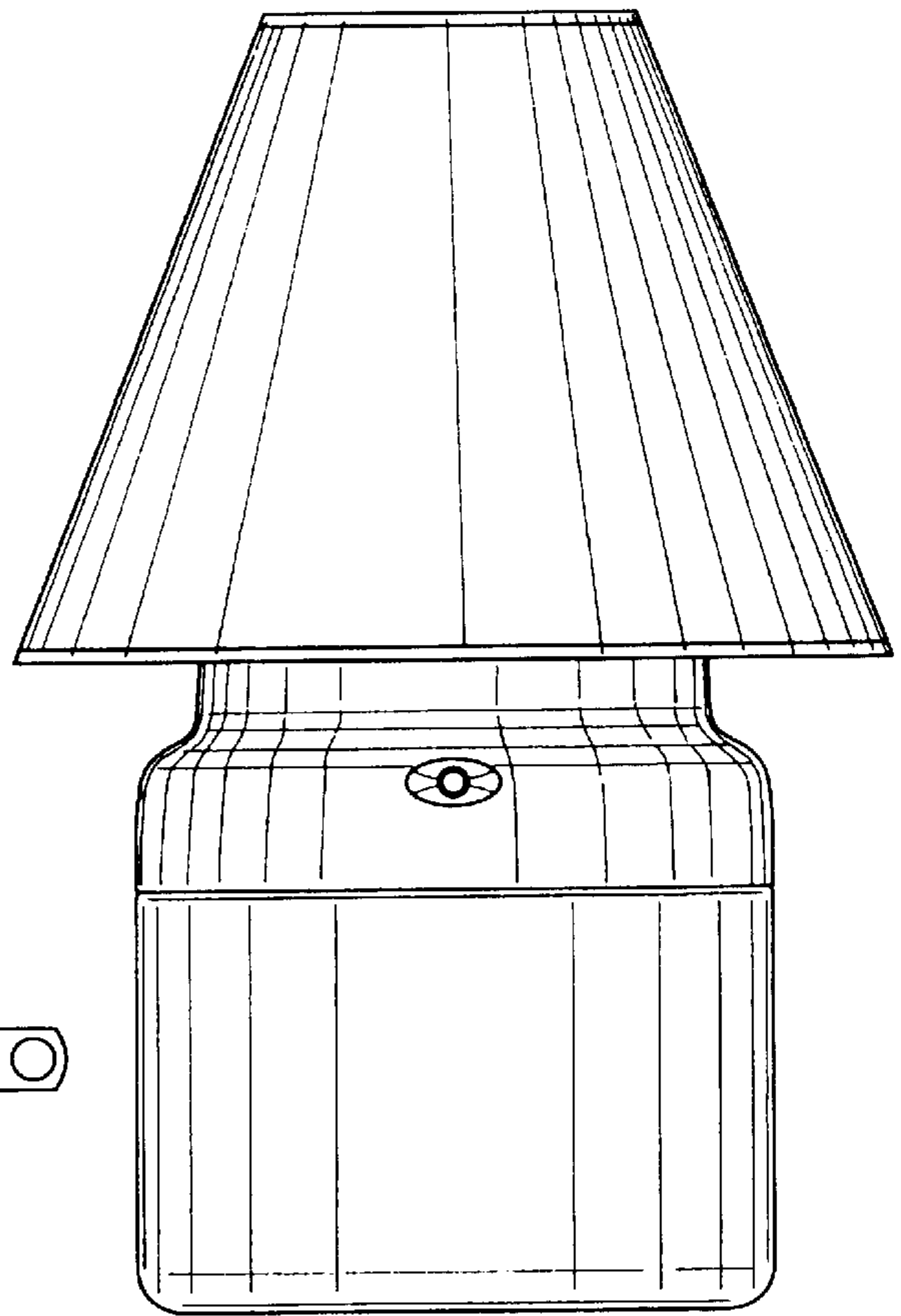


FIG. 4

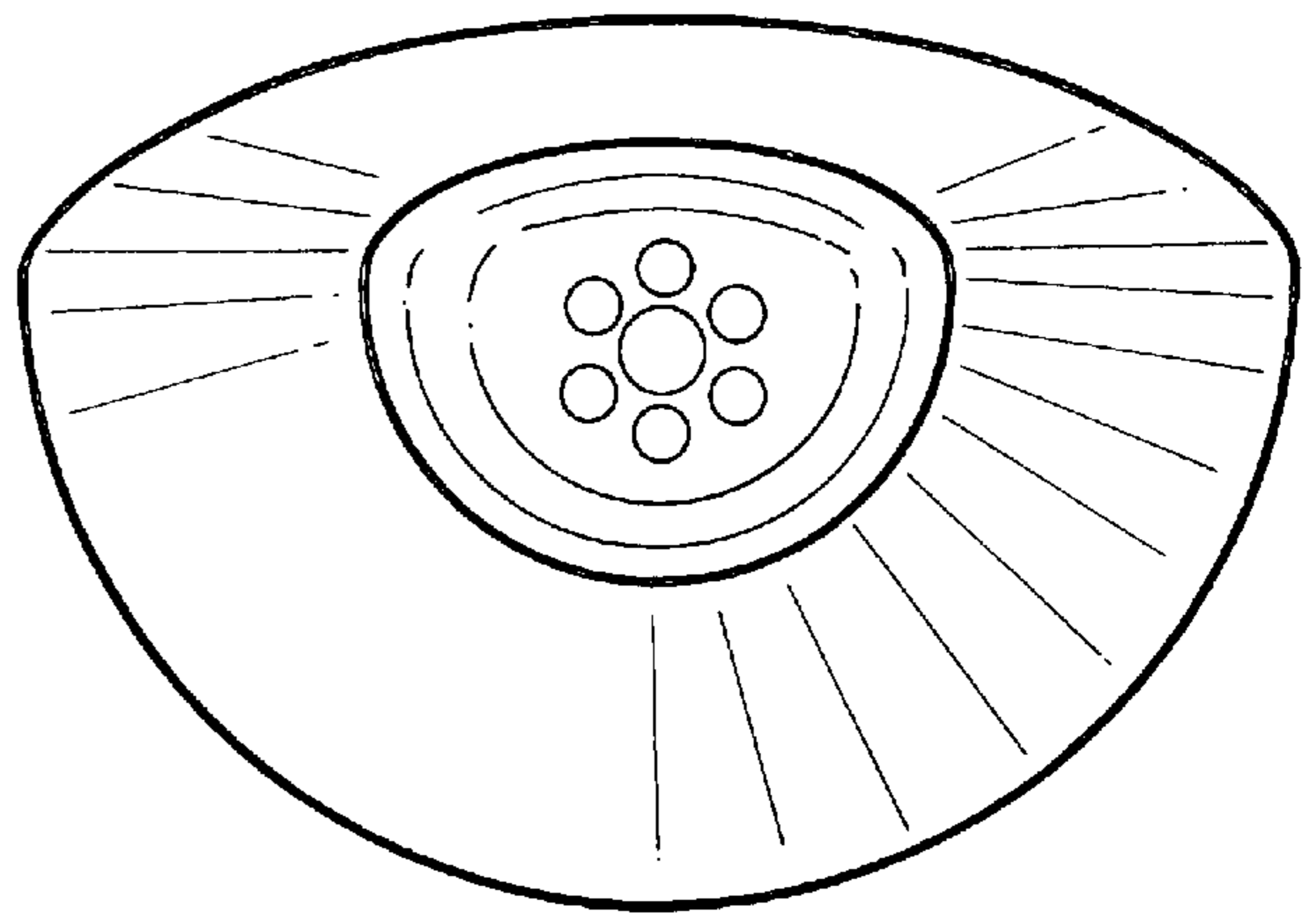


FIG. 5

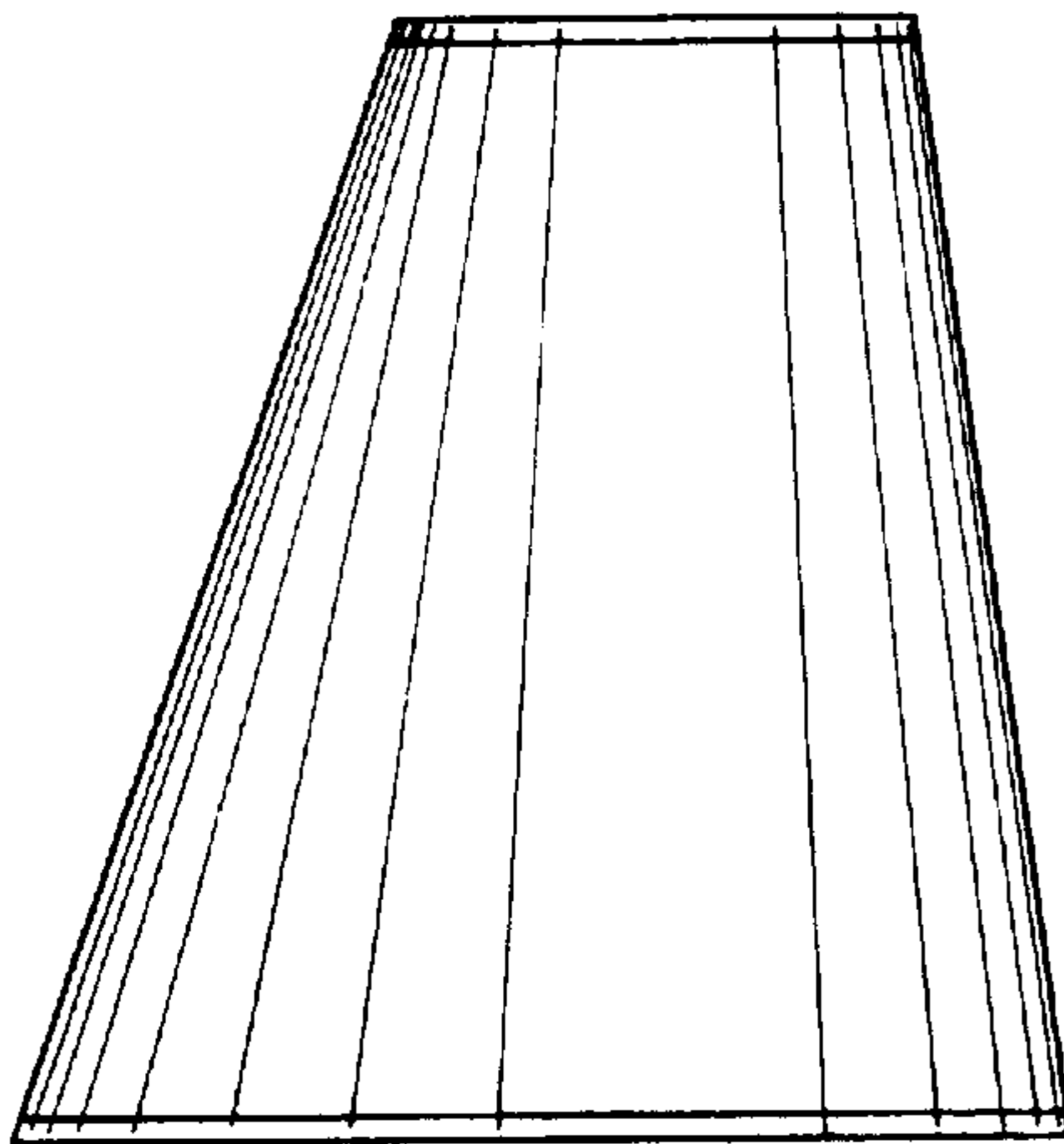


FIG. 6

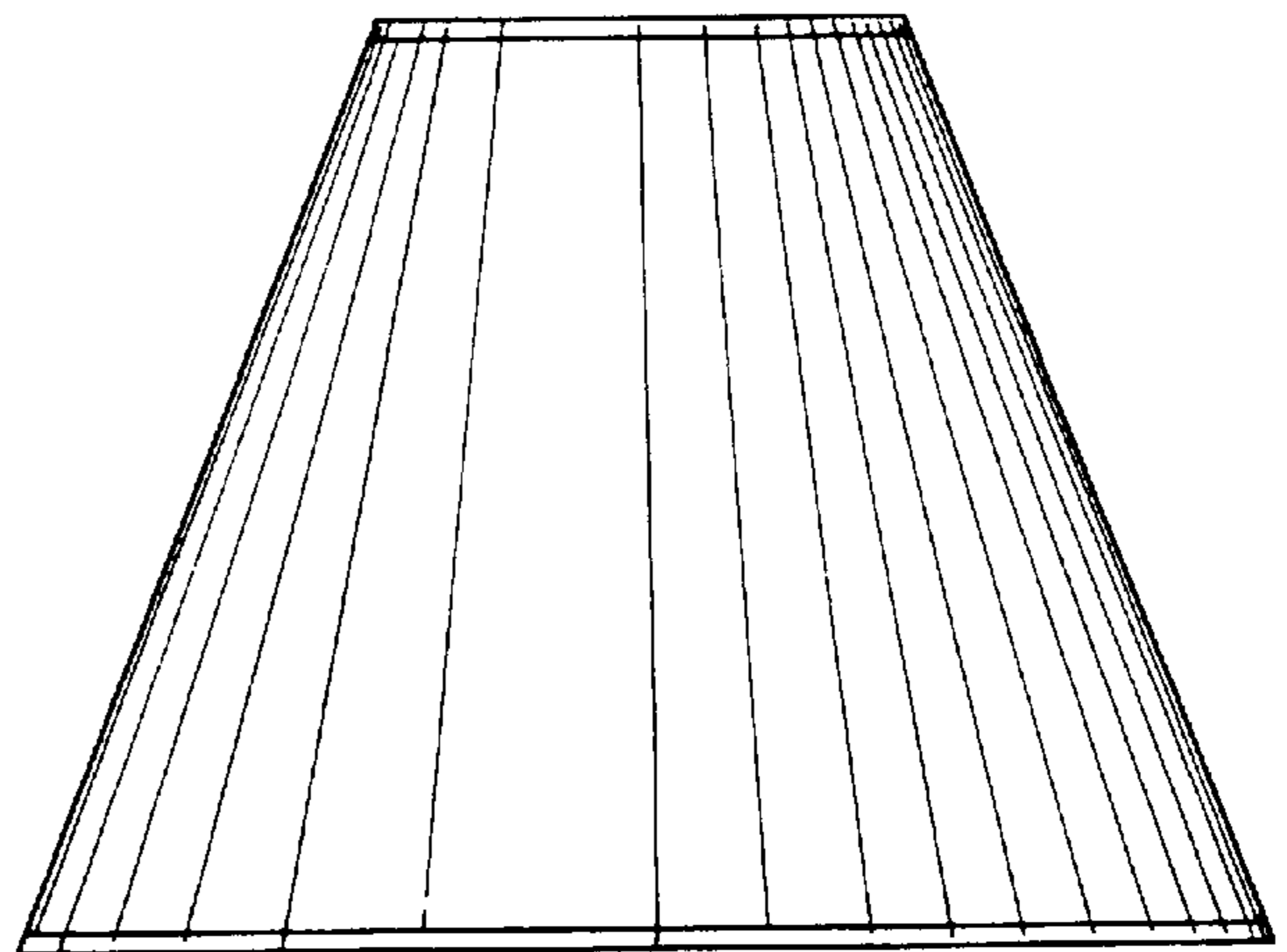


FIG. 7

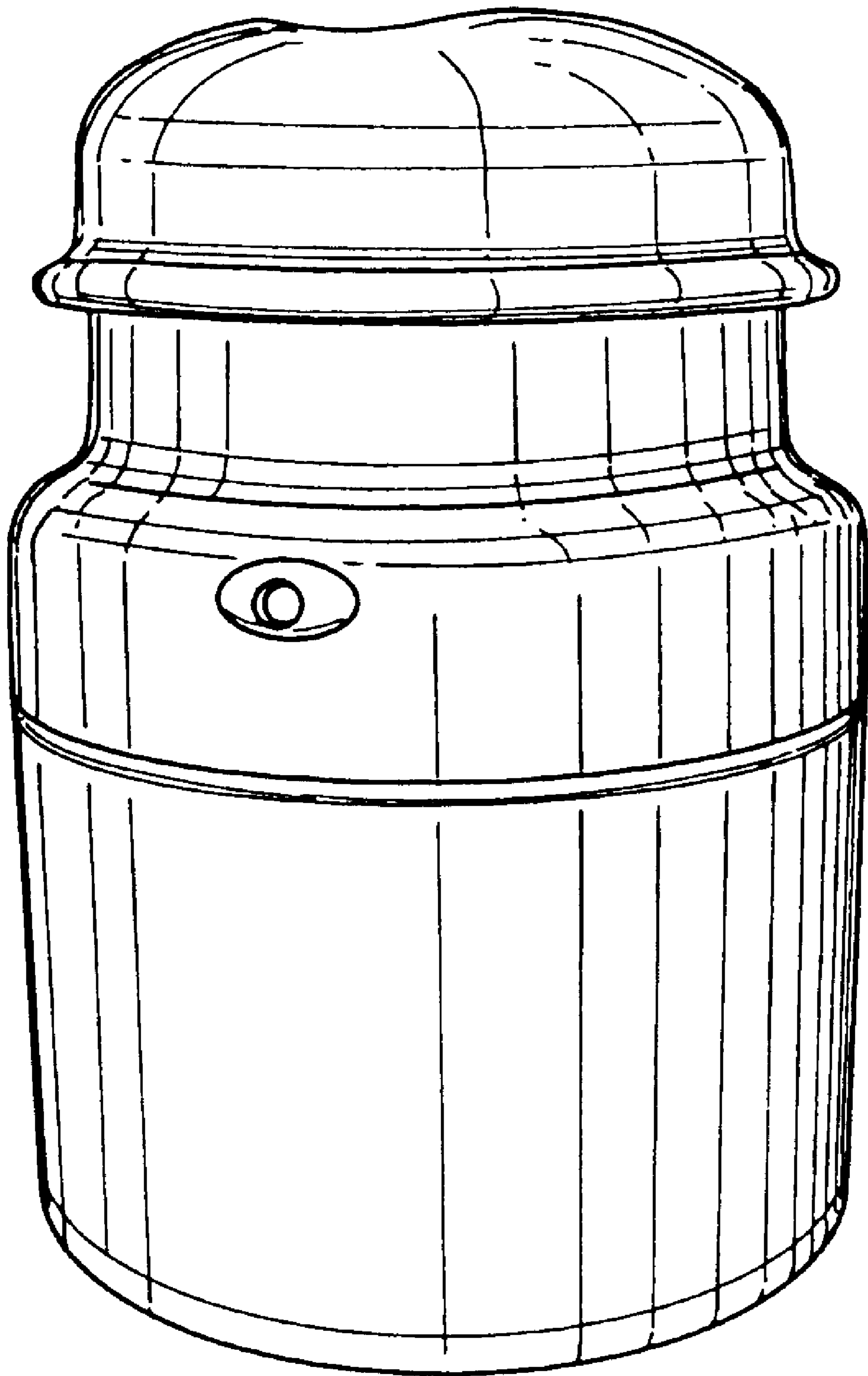


FIG. 8

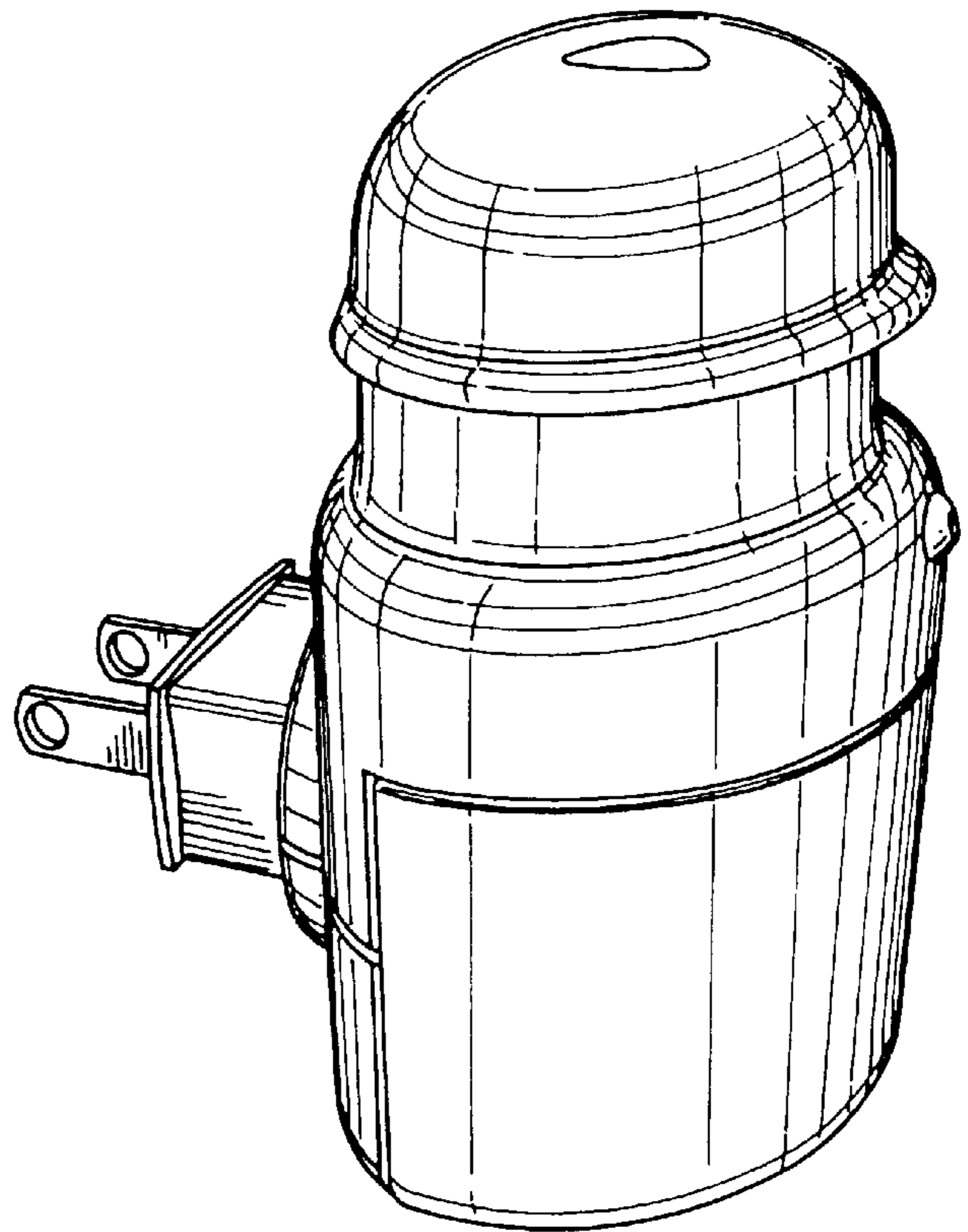


FIG. 9

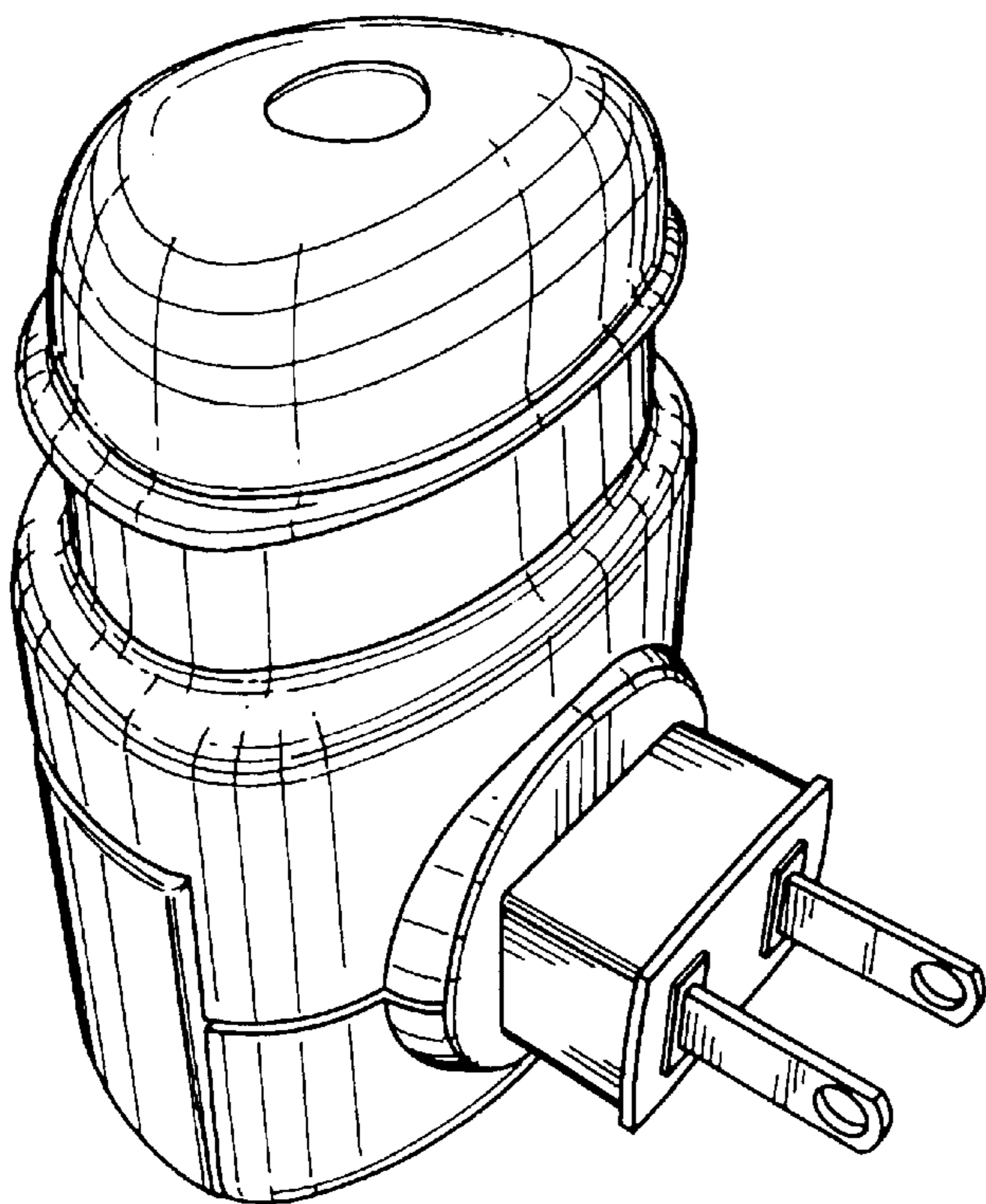


FIG. 10

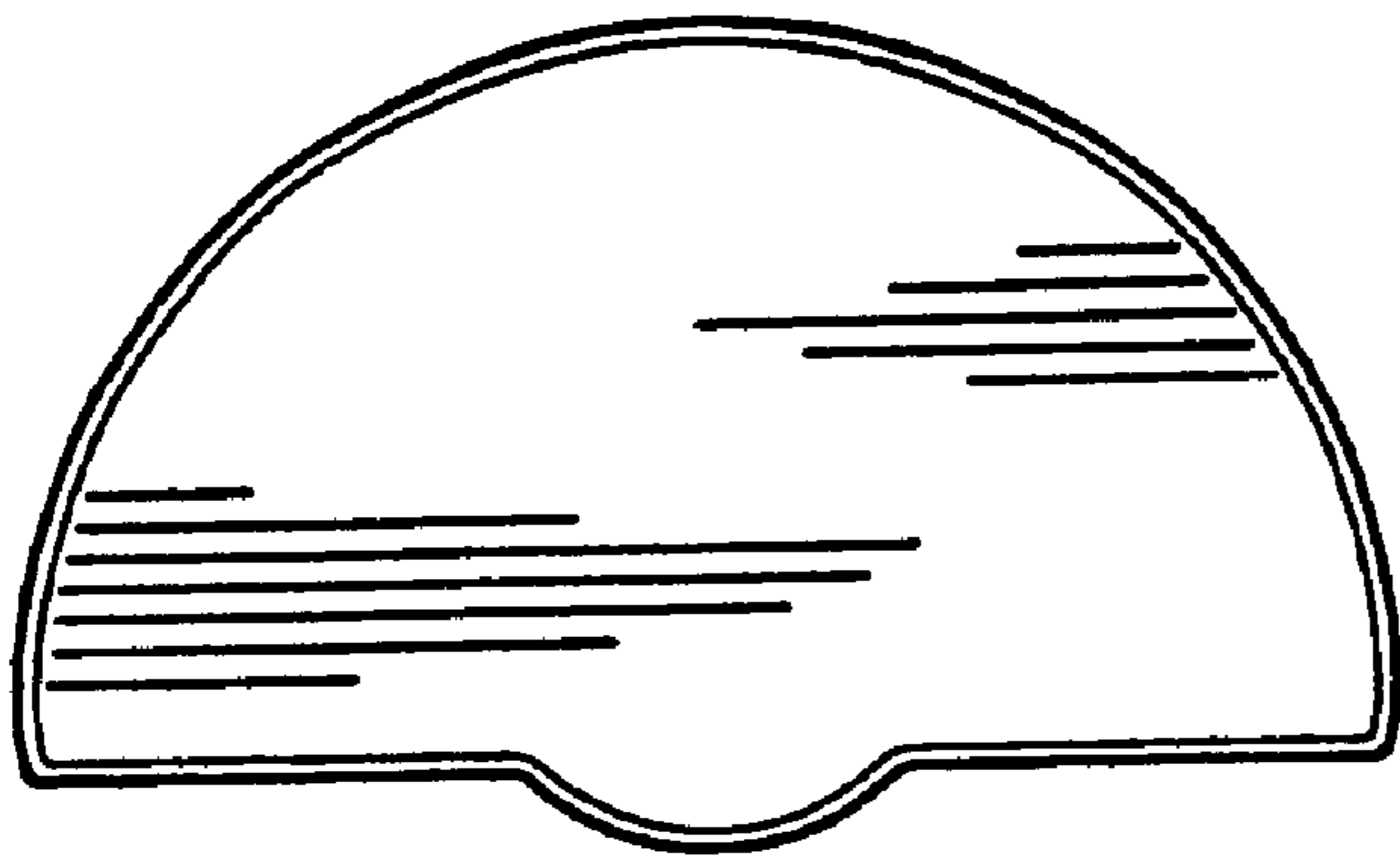


FIG. 13

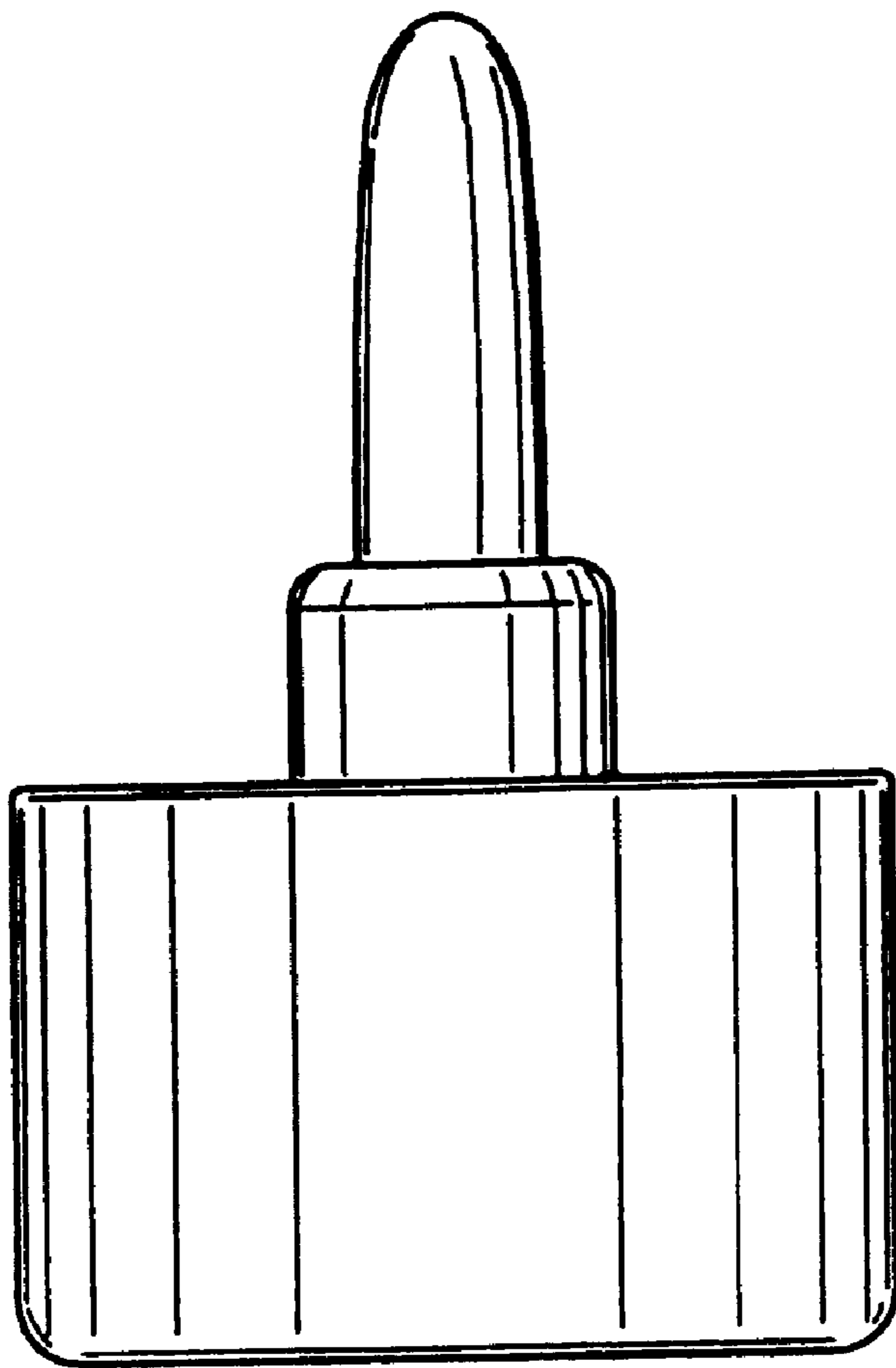


FIG. 11

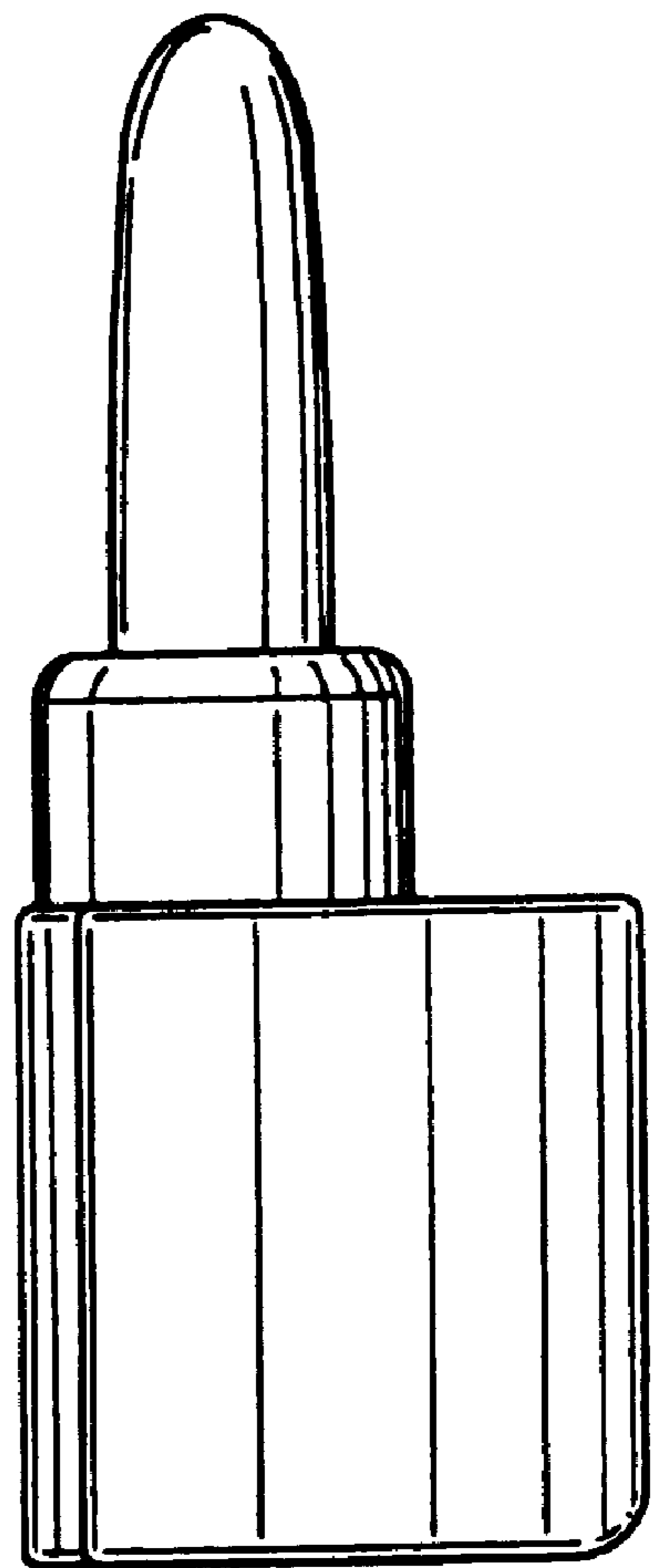


FIG. 12

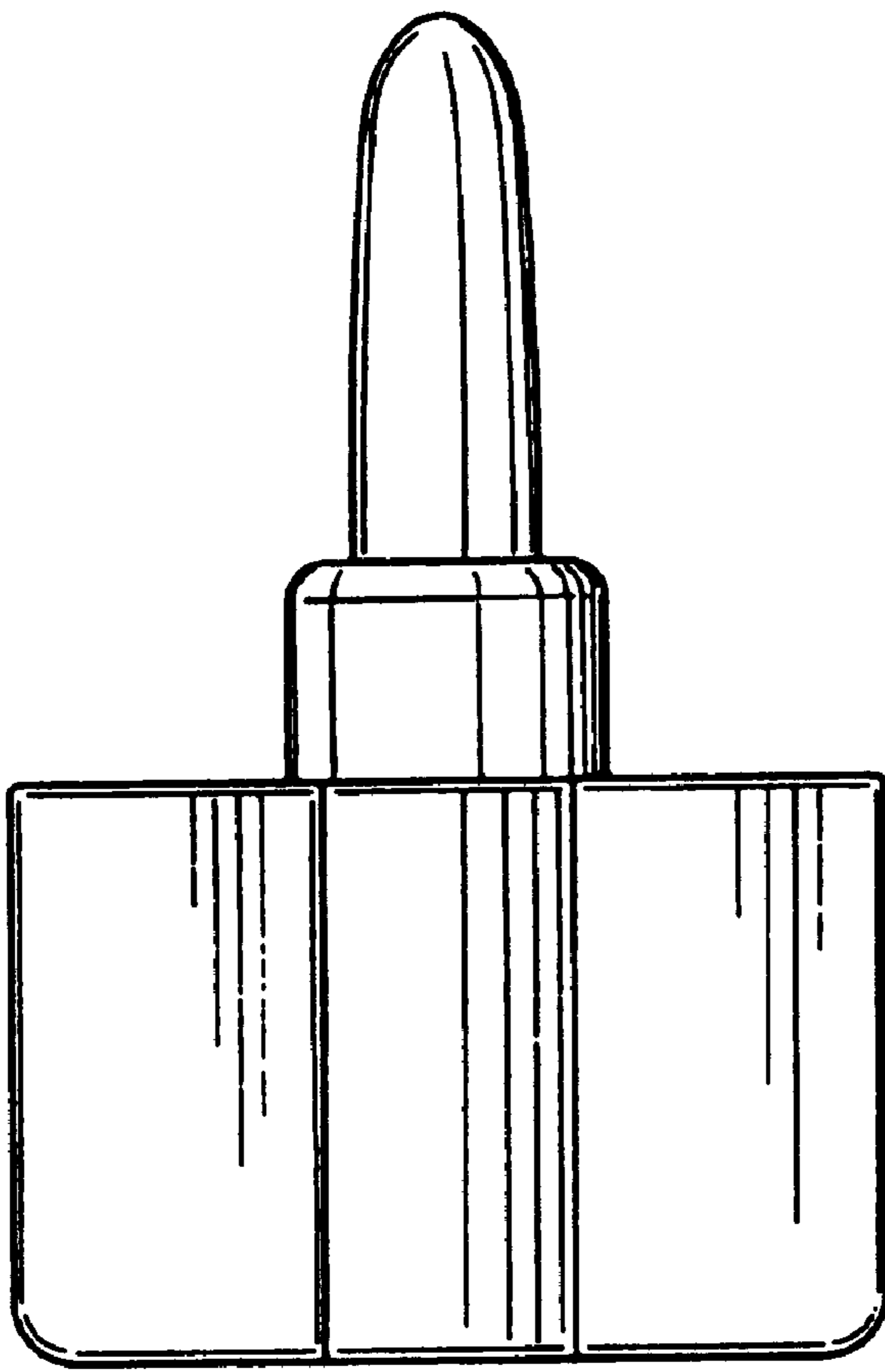


FIG. 14

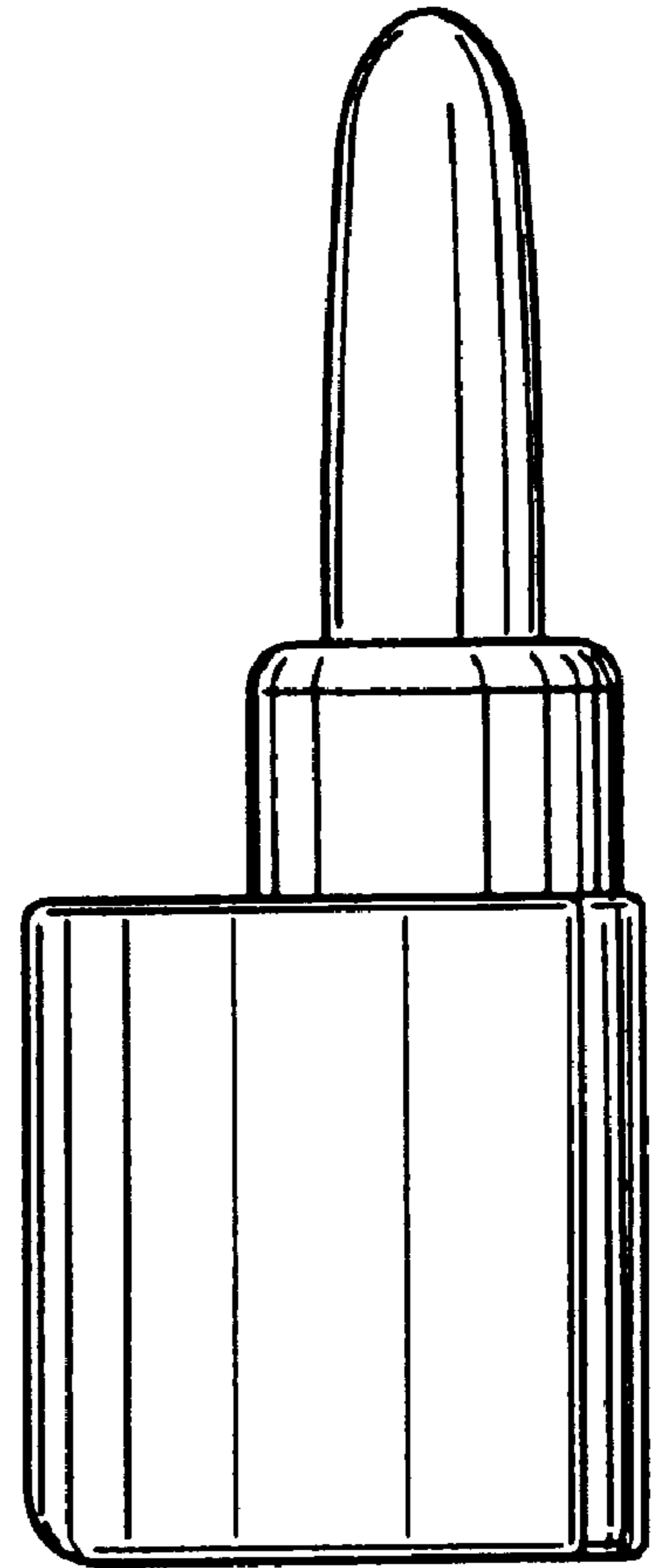


FIG. 15

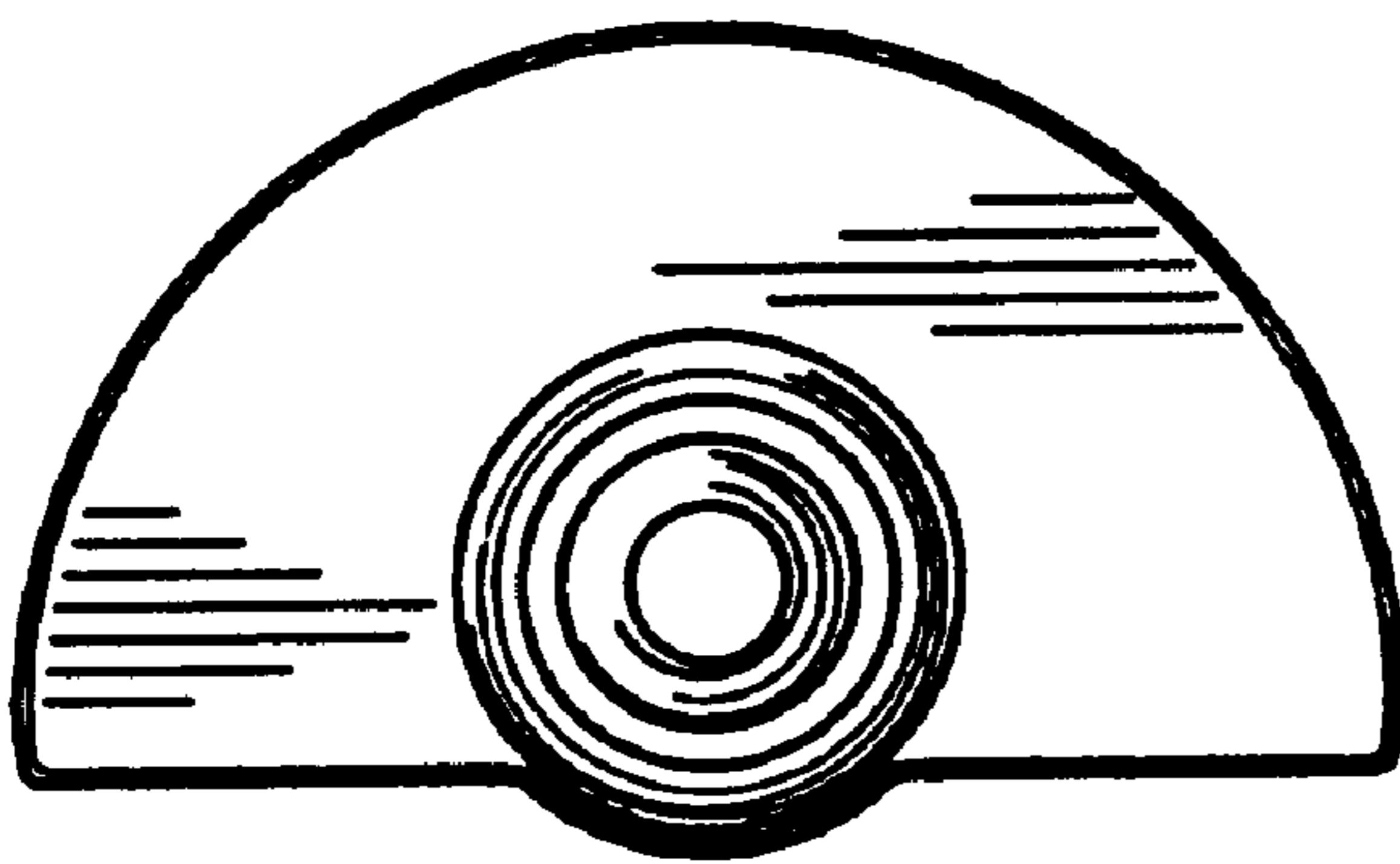


FIG. 16

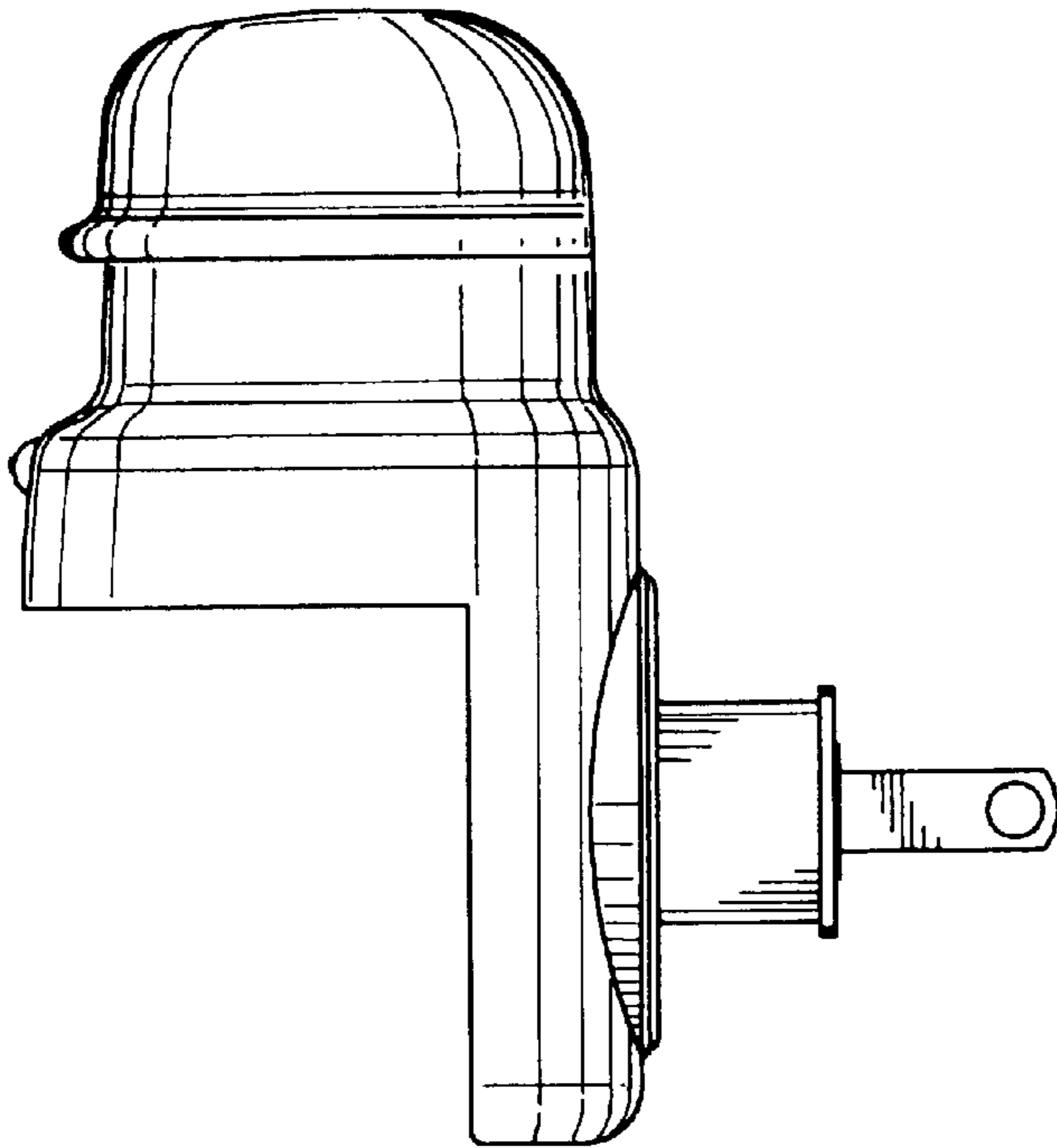


FIG. 18

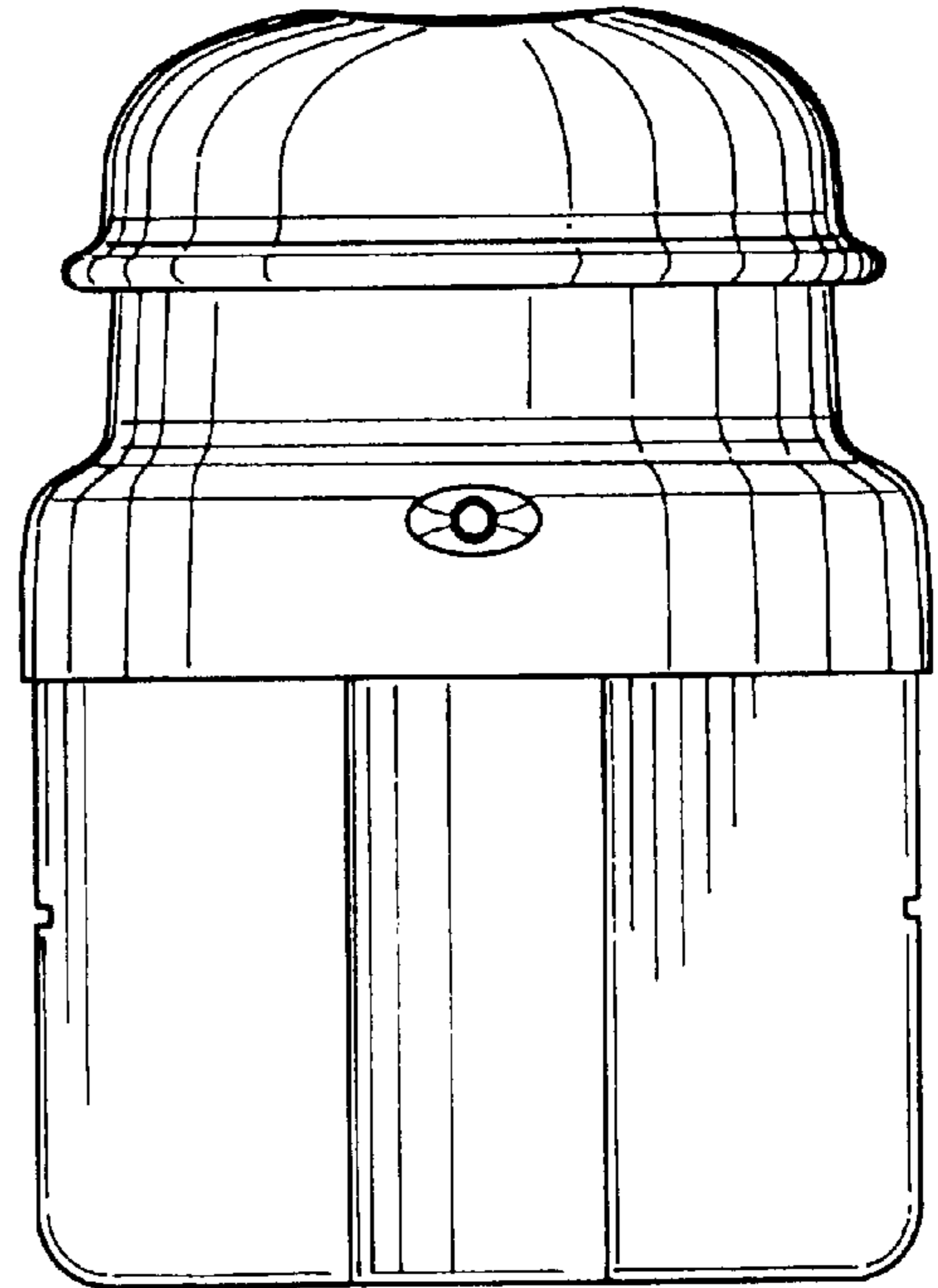


FIG. 17

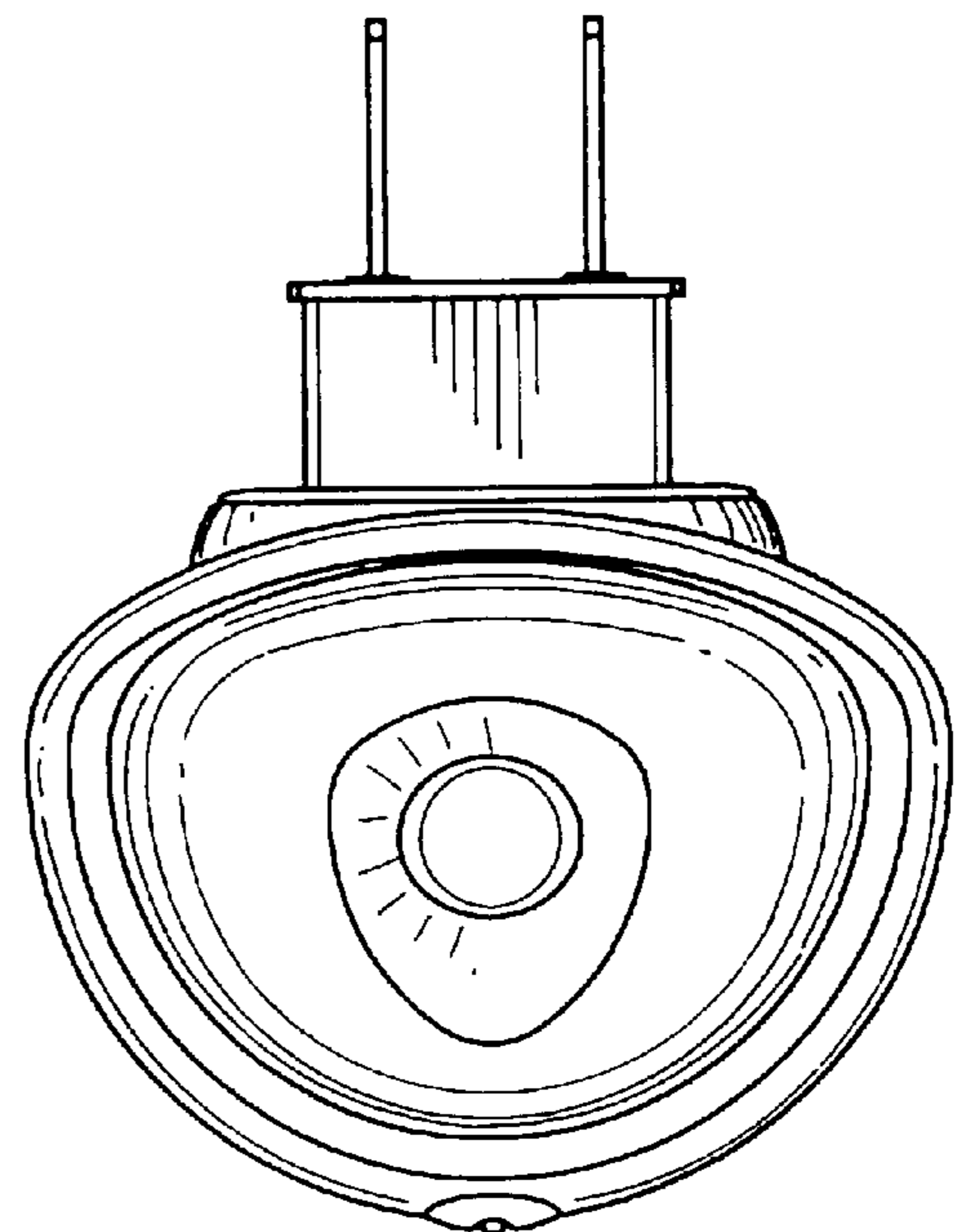


FIG. 19

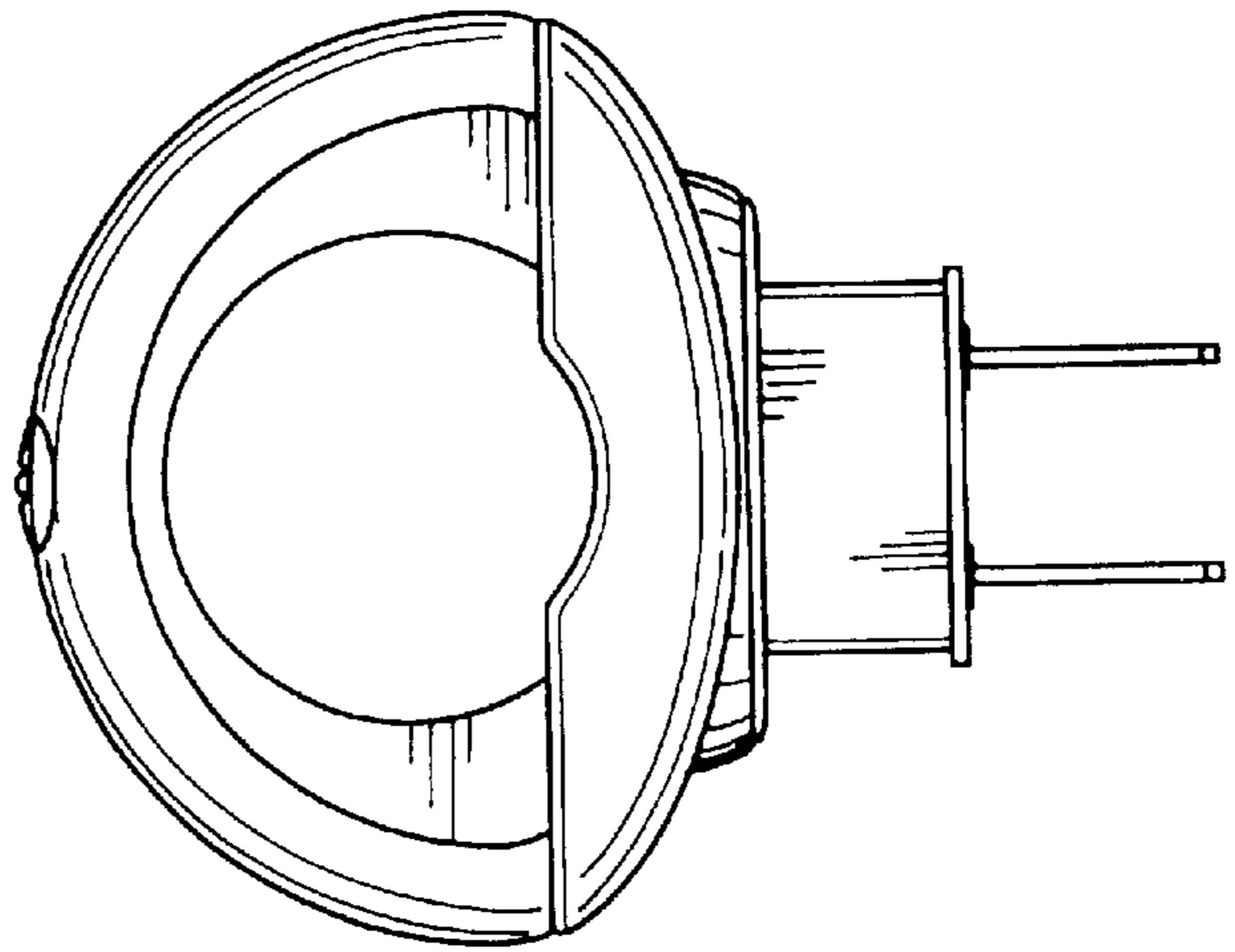


FIG. 22

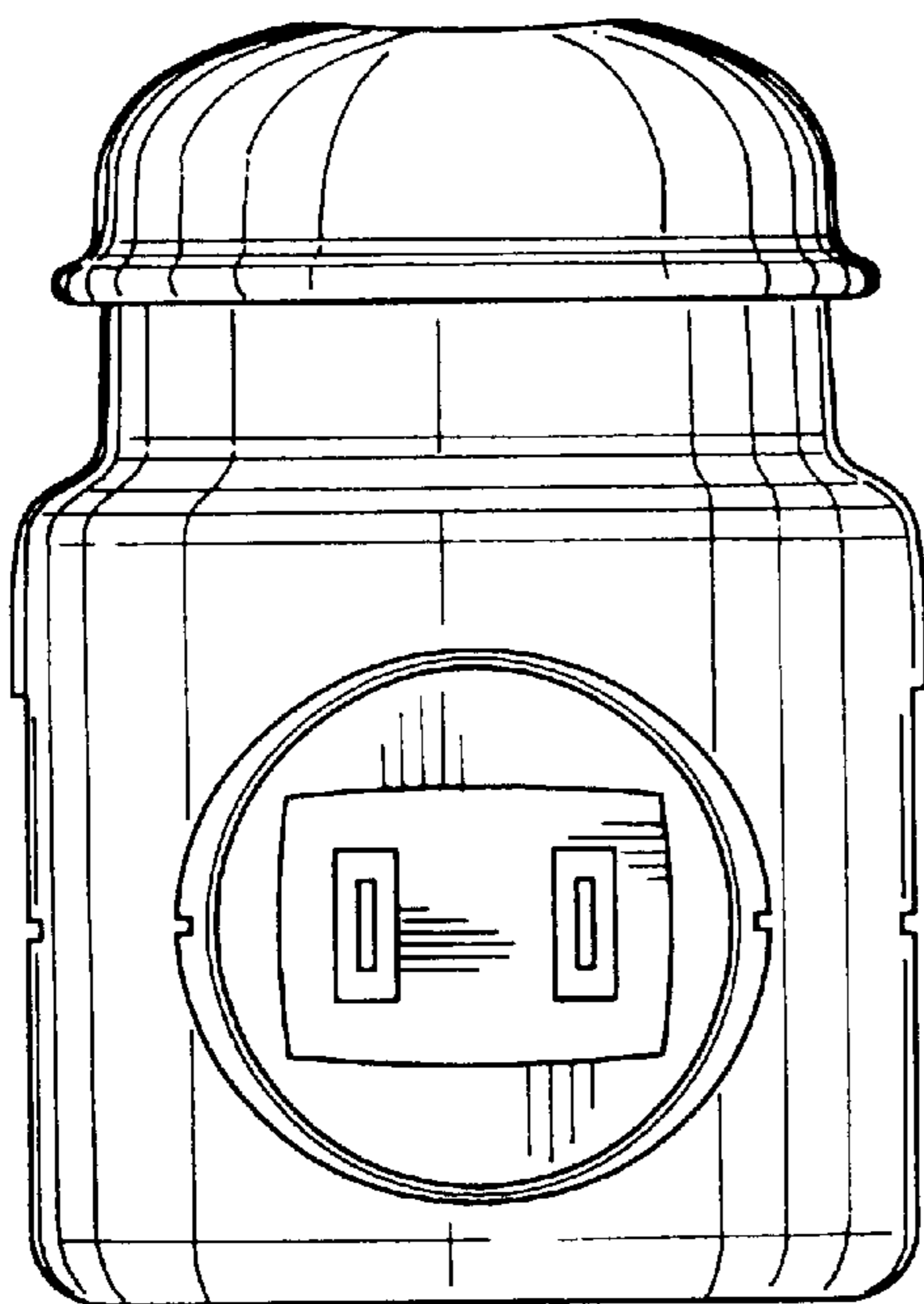


FIG. 20

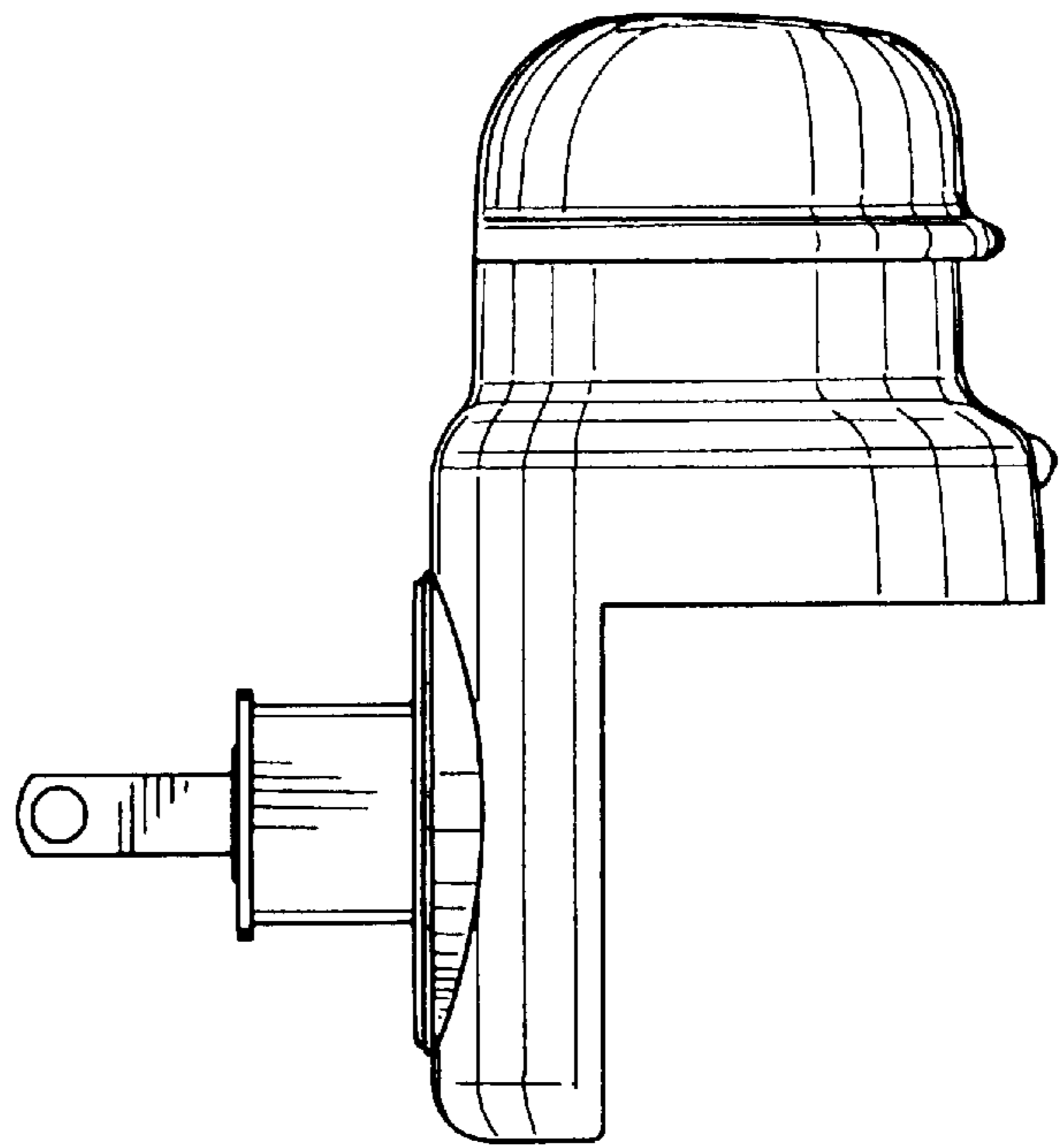


FIG. 21