



US00D488209S

(12) **United States Design Patent**
Lobermeier

(10) **Patent No.:** **US D488,209 S**

(45) **Date of Patent:** **** Apr. 6, 2004**

(54) **STATIONARY SHOWER**

(75) Inventor: **Hans Lobermeier**, Menden (DE)

(73) Assignee: **Friedrich Grohe AG & Co. KG**,
Hemer (DE)

(**) Term: **14 Years**

(21) Appl. No.: **29/180,233**

(22) Filed: **Apr. 21, 2003**

(30) **Foreign Application Priority Data**

Nov. 15, 2002 (DE) 4 02 09 498

(51) **LOC (7) Cl.** **23-01**

(52) **U.S. Cl.** **D23/230**

(58) **Field of Search** D23/213, 229,
D23/230; 239/282, 283

(56) **References Cited**

U.S. PATENT DOCUMENTS

D94,146 S * 12/1934 Isenberg D23/213
D263,867 S * 4/1982 Thompson D23/213

D333,338 S * 2/1993 Klose D23/213
D410,732 S * 6/1999 Gottwald D23/229
D413,157 S * 8/1999 Ratzlaff D23/229

* cited by examiner

Primary Examiner—Robin V. Taylor

(74) *Attorney, Agent, or Firm*—Herbert Dubno

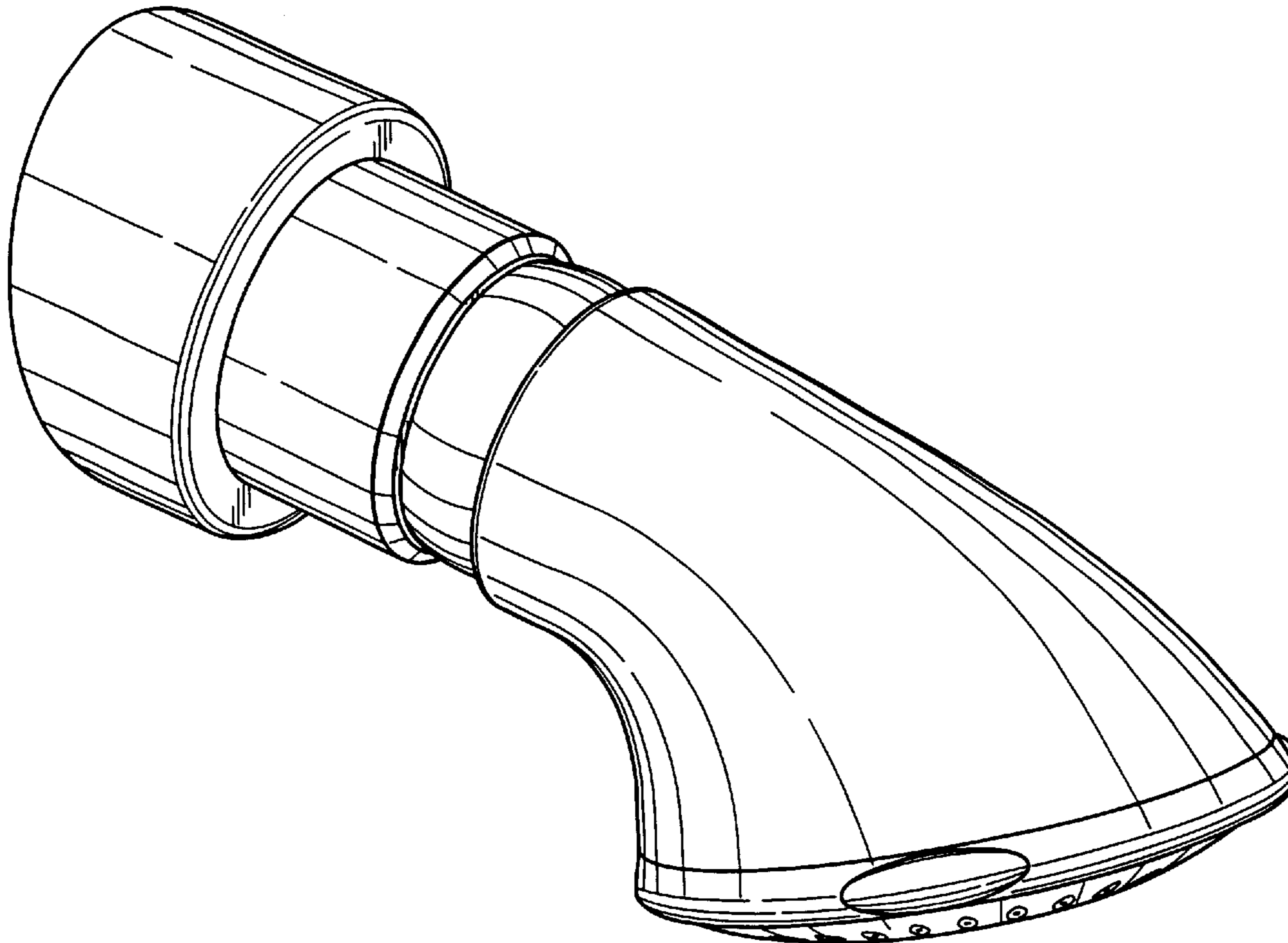
(57) **CLAIM**

The ornamental design for a stationary shower, as shown and described.

DESCRIPTION

FIG. 1 is a top, front, left-side perspective view of a stationary shower showing my new design;
FIG. 2 is a top plan view thereof;
FIG. 3 is a right side elevational view thereof, the left side elevational view being mirror symmetrical thereto;
FIG. 4 is a bottom plan view thereof;
FIG. 5 is a front elevational thereof; and,
FIG. 6 is a rear elevational view thereof (the rear interior being hidden in use).

1 Claim, 3 Drawing Sheets



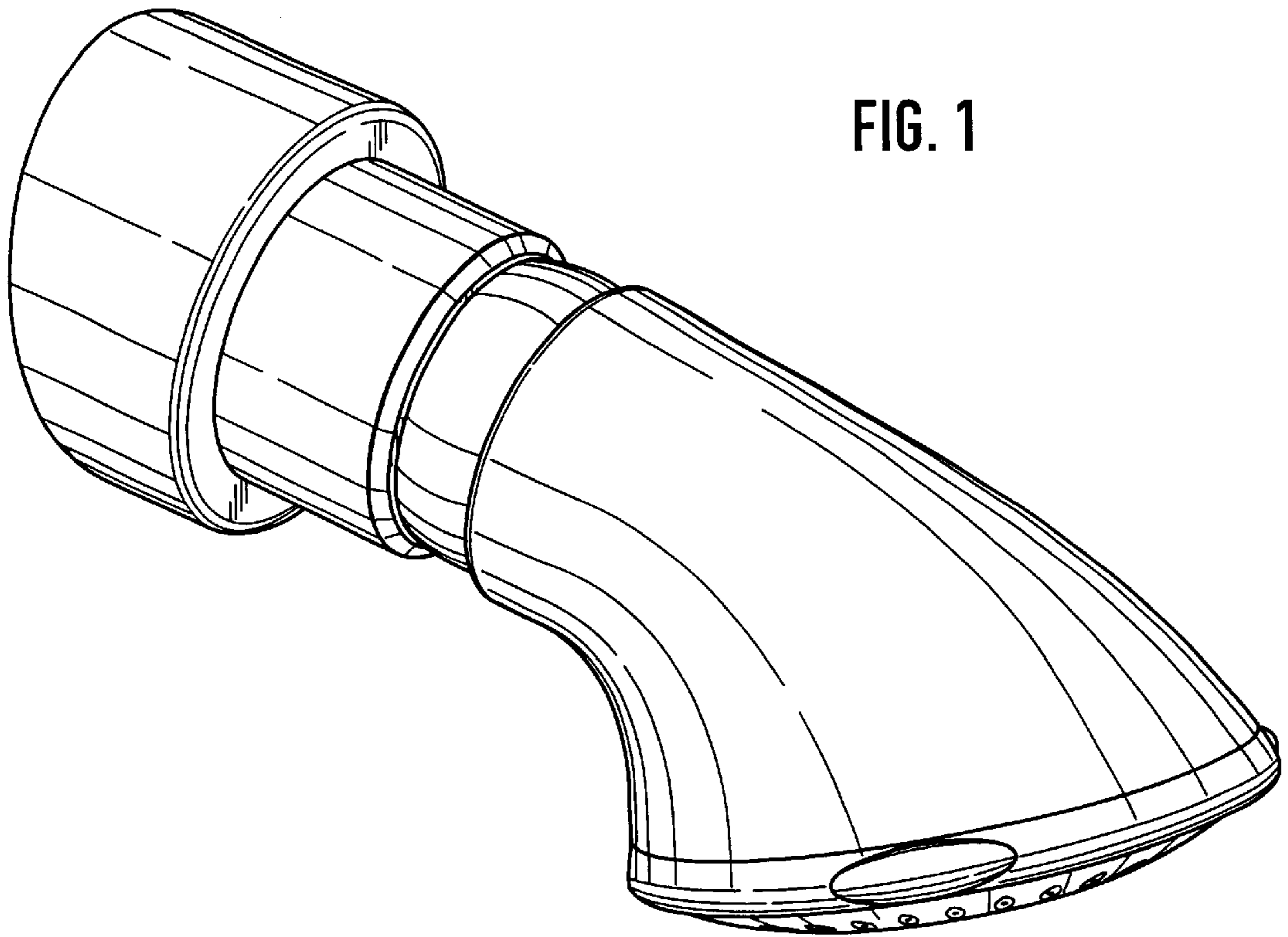


FIG. 1

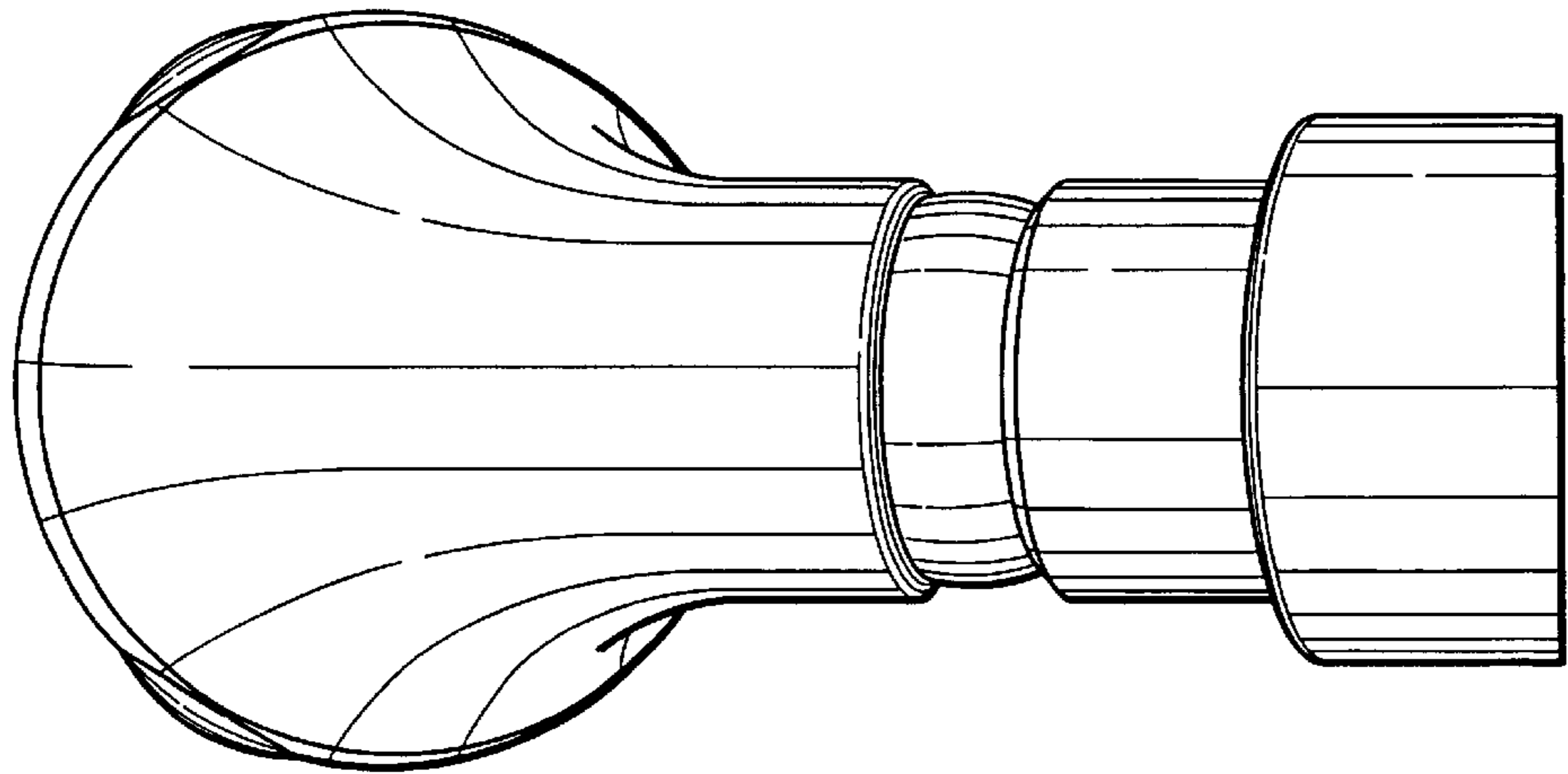


FIG. 2

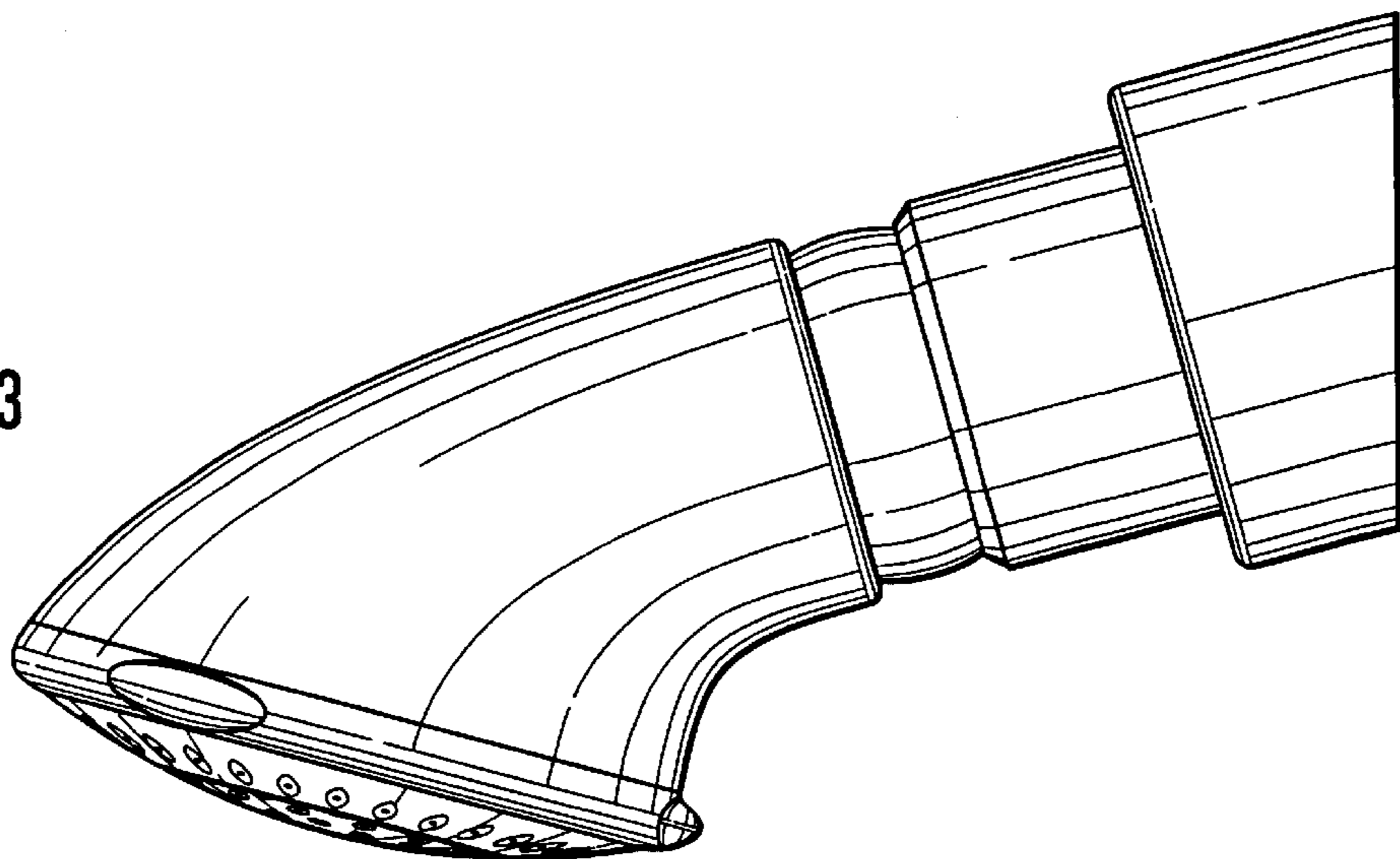


FIG. 3

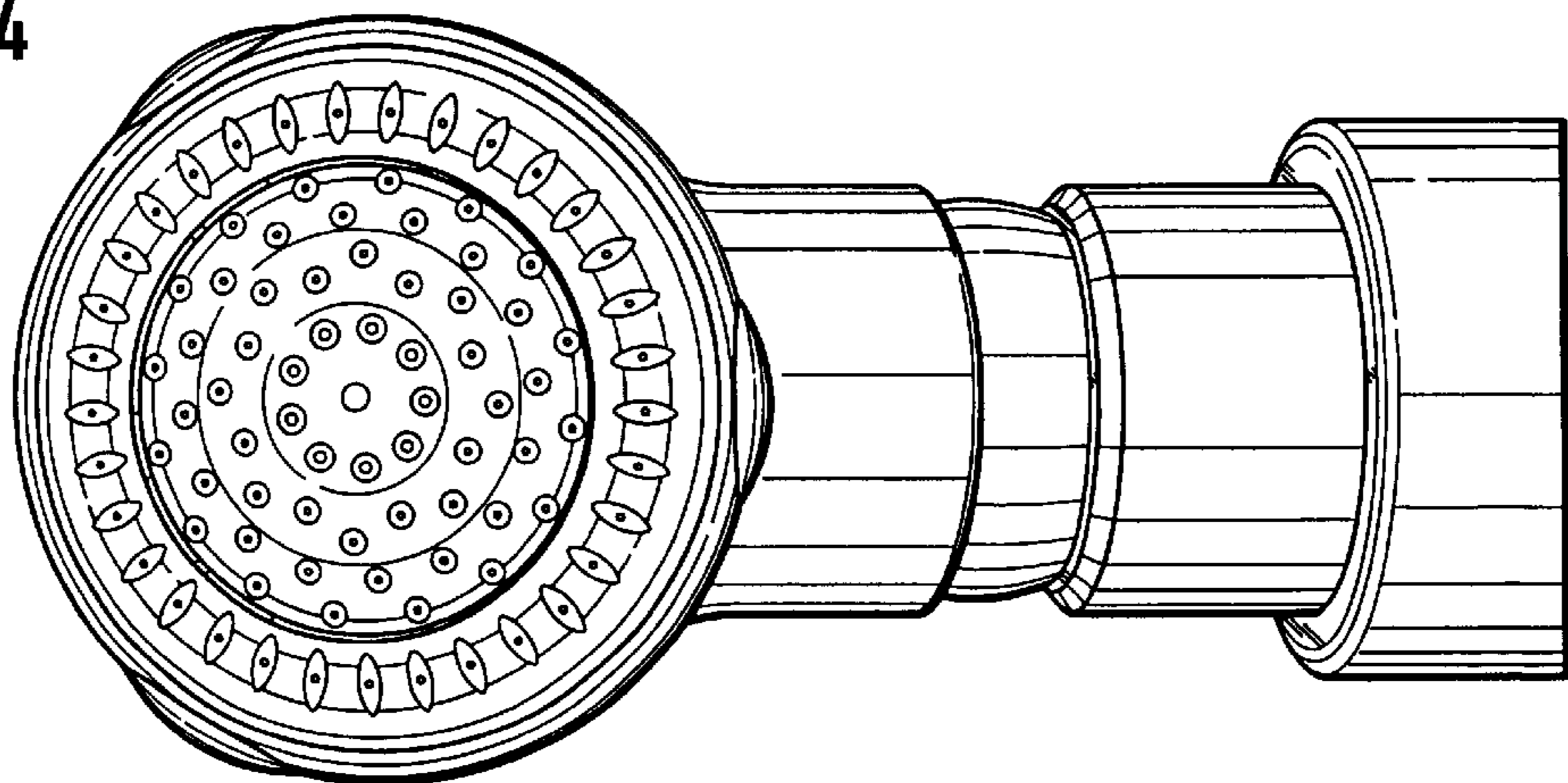


FIG. 4

FIG. 6

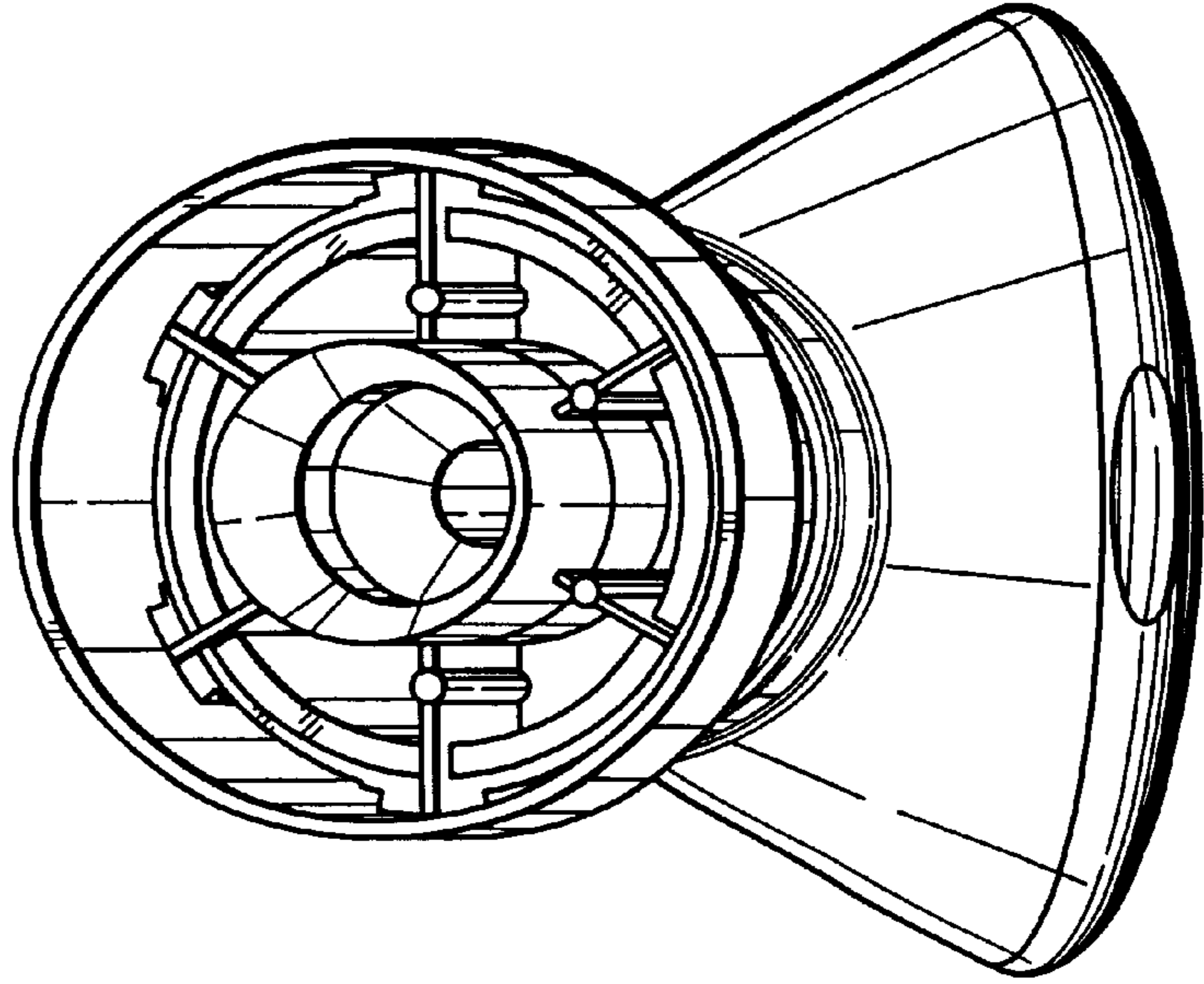


FIG. 5

