



US00D488204S

(12) **United States Design Patent**  
**Swope**

(10) **Patent No.:** **US D488,204 S**

(45) **Date of Patent:** **\*\* Apr. 6, 2004**

(54) **COMBINATION GOLF PUTTER STAND AND PRACTICE TARGET**

*Primary Examiner*—Mitchell Siegel  
(74) *Attorney, Agent, or Firm*—Christopher C. Dremann

(76) **Inventor:** **Curtis M. Swope**, 126 Habersham Loop, Statesville, NC (US) 28677

(57) **CLAIM**

(\*\*) **Term:** **14 Years**

The ornamental design for a combination golf putter stand and practice target, as shown and described.

(21) **Appl. No.:** **29/176,895**

**DESCRIPTION**

(22) **Filed:** **Feb. 28, 2003**

(51) **LOC (7) Cl.** ..... **21-02**

FIG. 1 is an environmental perspective view of a first embodiment of a combination golf putter stand and practice target illustrating my new design;

(52) **U.S. Cl.** ..... **D21/796; D21/790**

FIG. 2 is a front elevation view thereof;

(58) **Field of Search** ..... D21/789, 796;  
D6/552; 473/282, 389, 387, 390; 211/62,  
64, 702

FIG. 3 is a rear elevation view thereof;

FIG. 4 is a right side elevation view thereof;

(56) **References Cited**

**U.S. PATENT DOCUMENTS**

D141,390 S	*	5/1945	Welsh	.....	D21/790
D306,752 S	*	3/1990	Crump	.....	D21/789
D394,291 S		5/1998	Beltran et al.		
D394,691 S	*	5/1998	DiCesari	.....	D21/796
D398,361 S	*	9/1998	DiCesari et al.	.....	D21/717

FIG. 5 is a left side elevation view thereof;

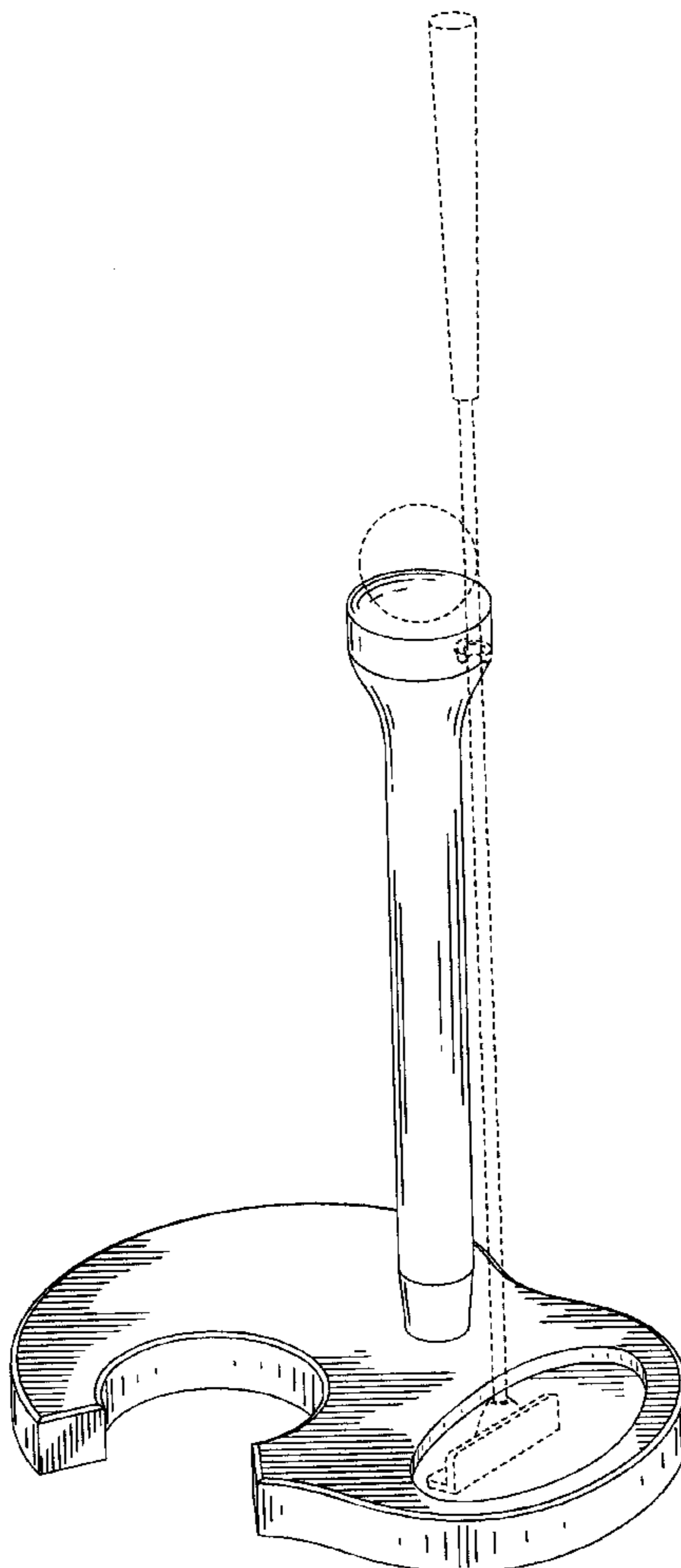
FIG. 6 is a bottom plan view thereof; and,

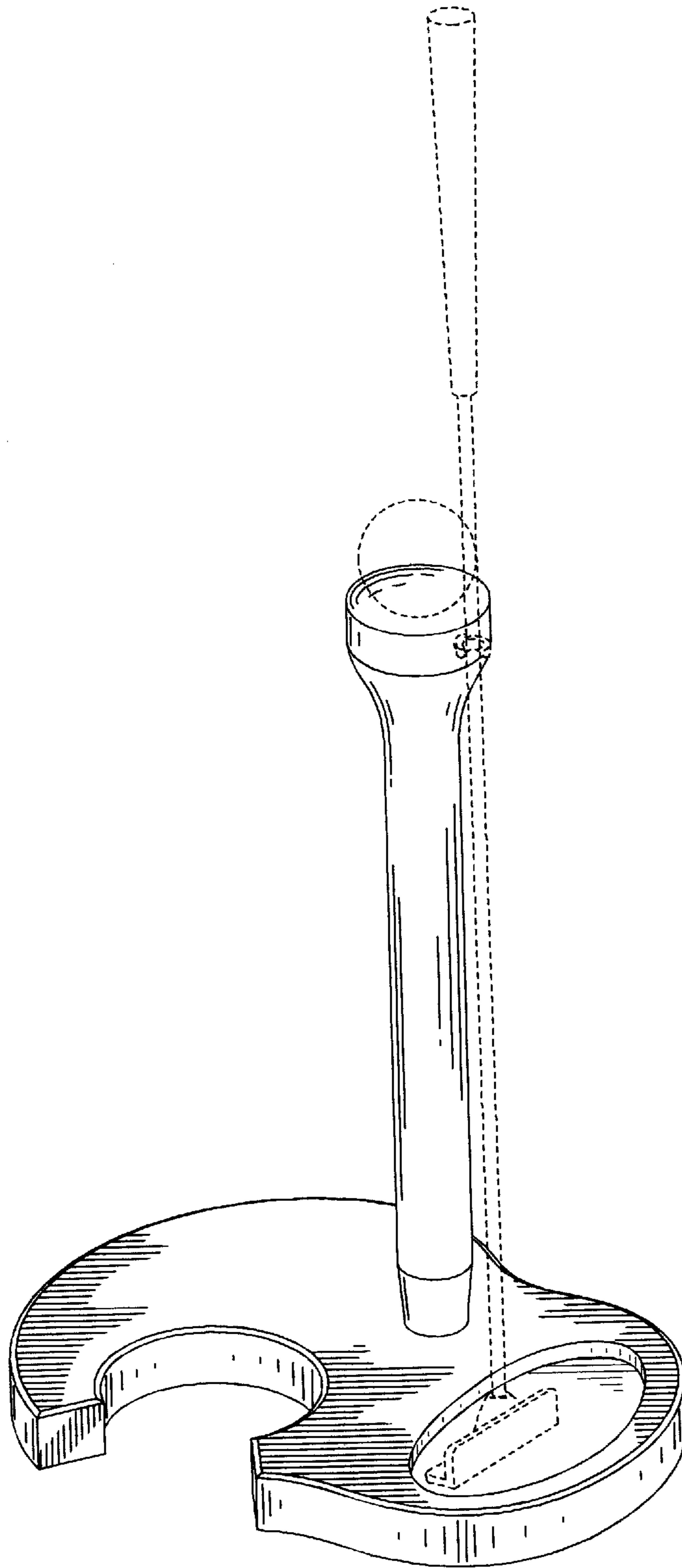
FIG. 7 is a top plan view thereof.

The broken line showing of environmental structure in FIG. 1 is for illustrative purposes only and forms no part of the claimed design.

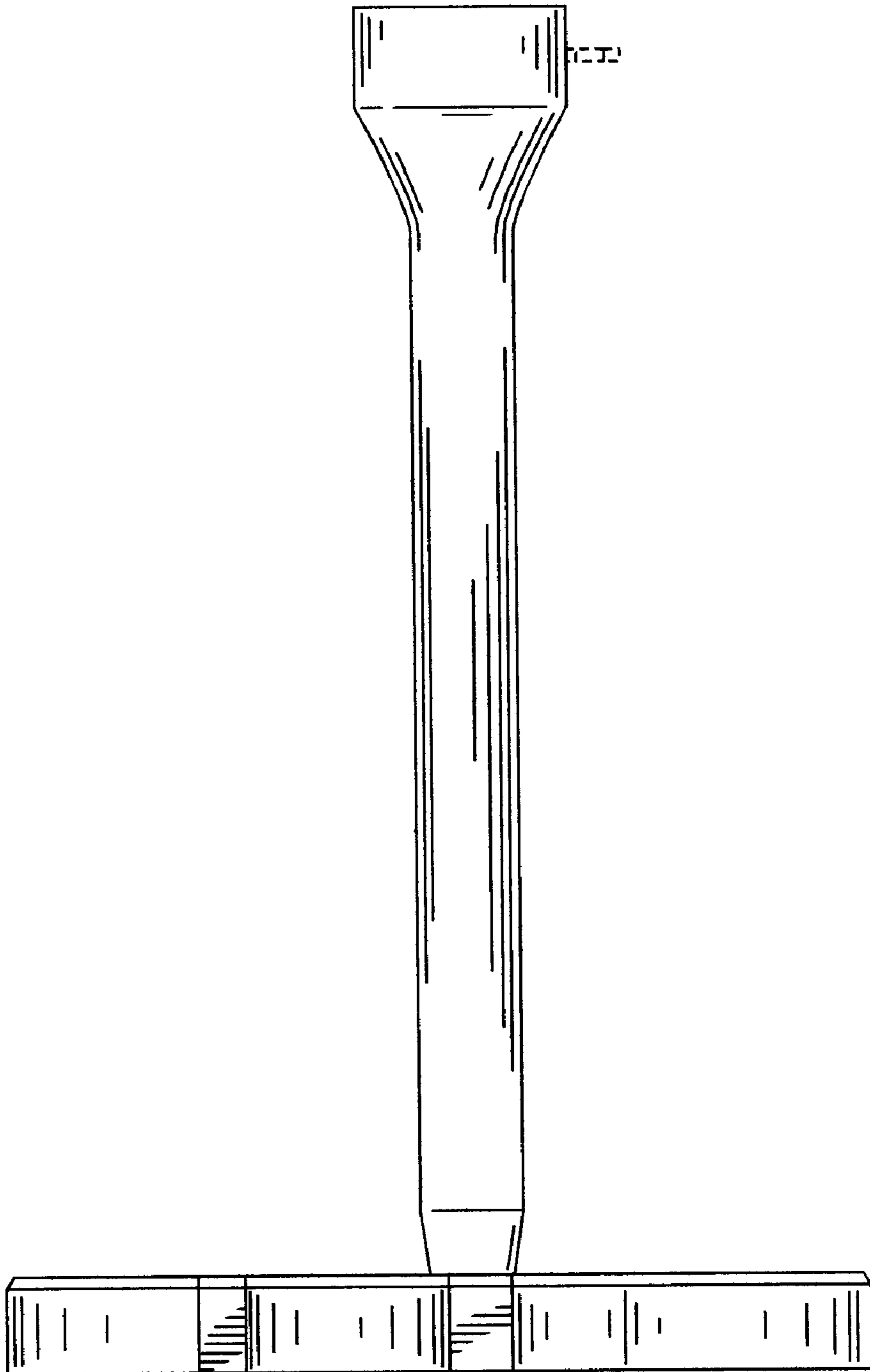
\* cited by examiner

**1 Claim, 6 Drawing Sheets**

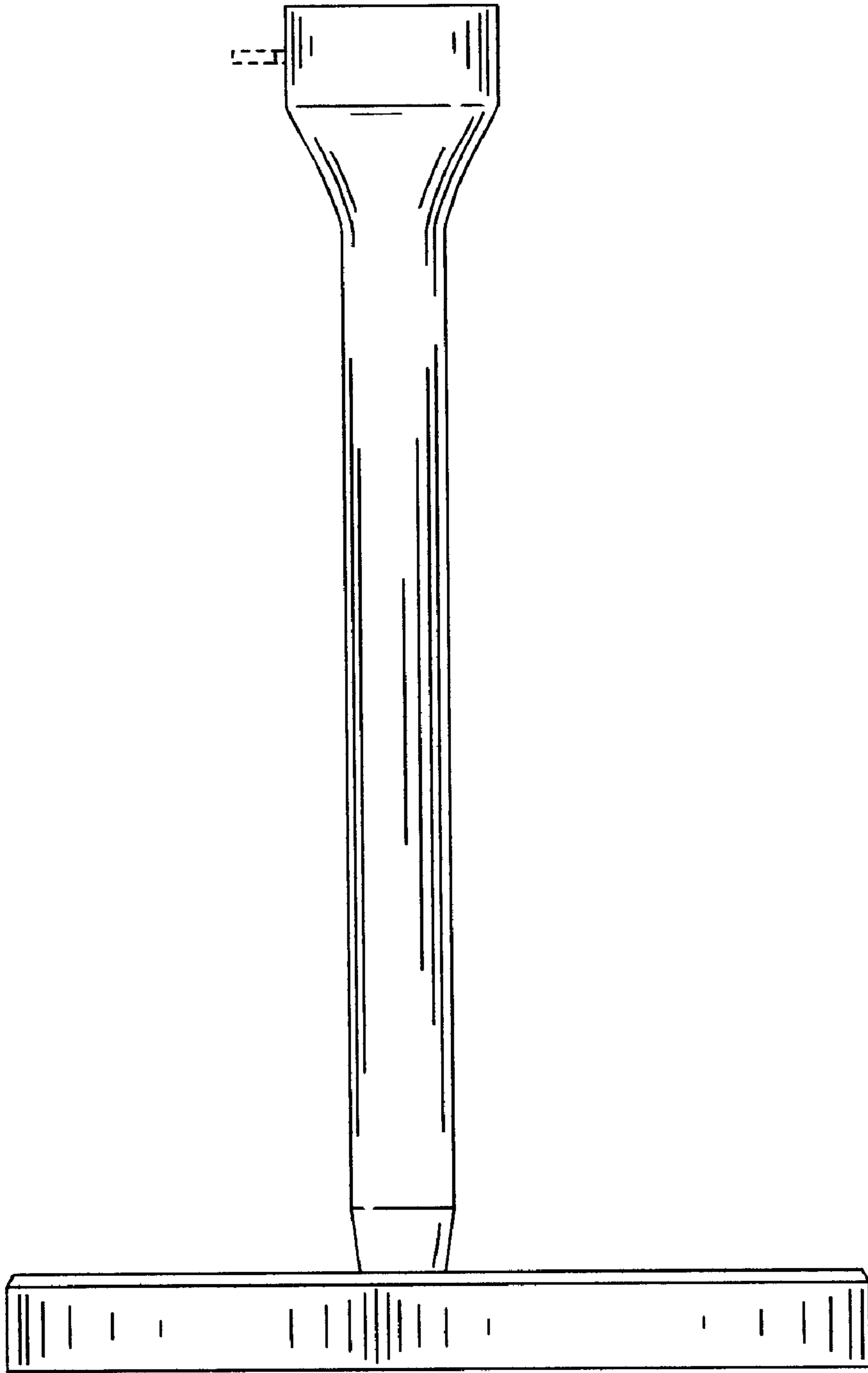




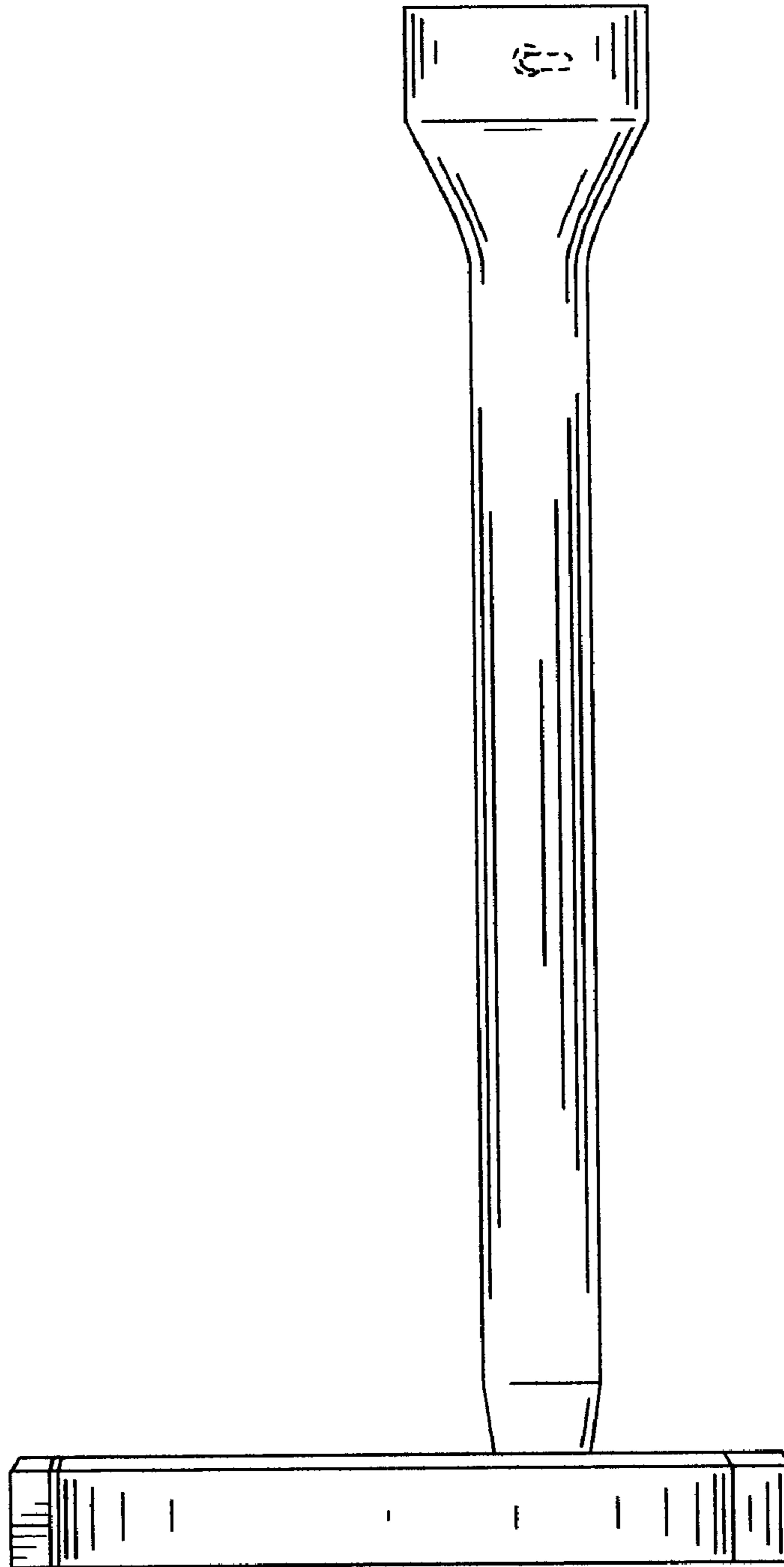
**FIG. 1.**



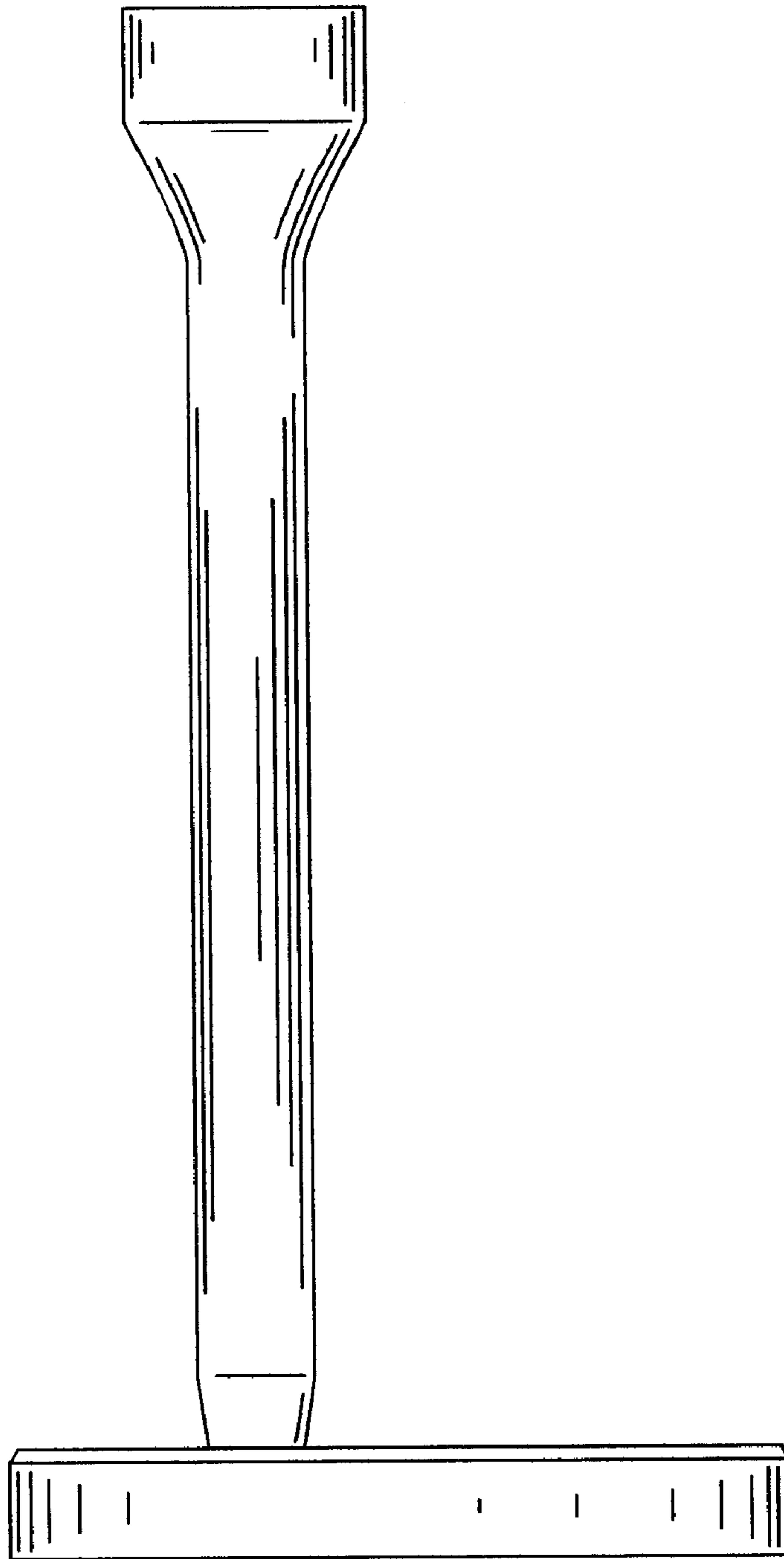
**FIG. 2.**



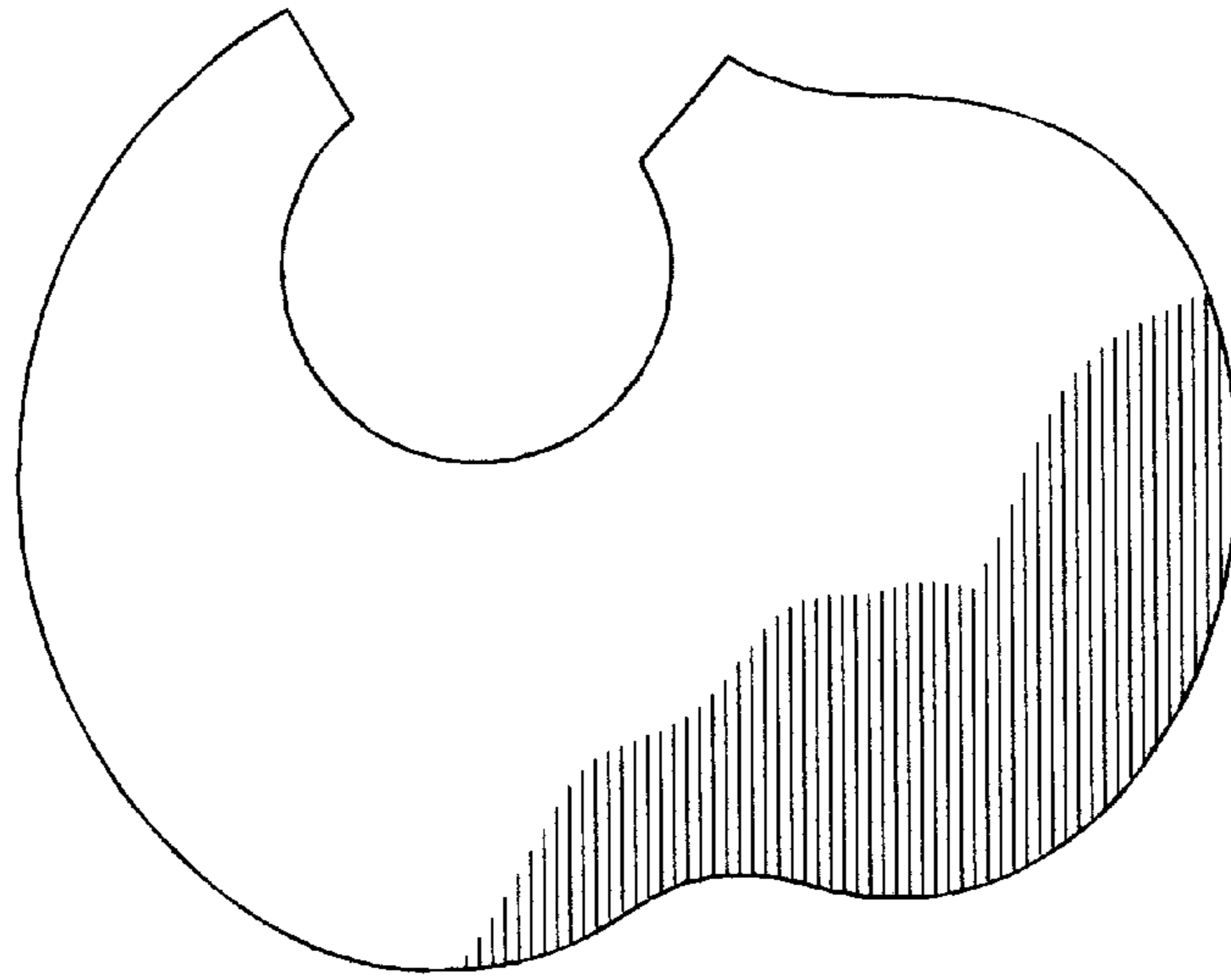
**FIG. 3.**



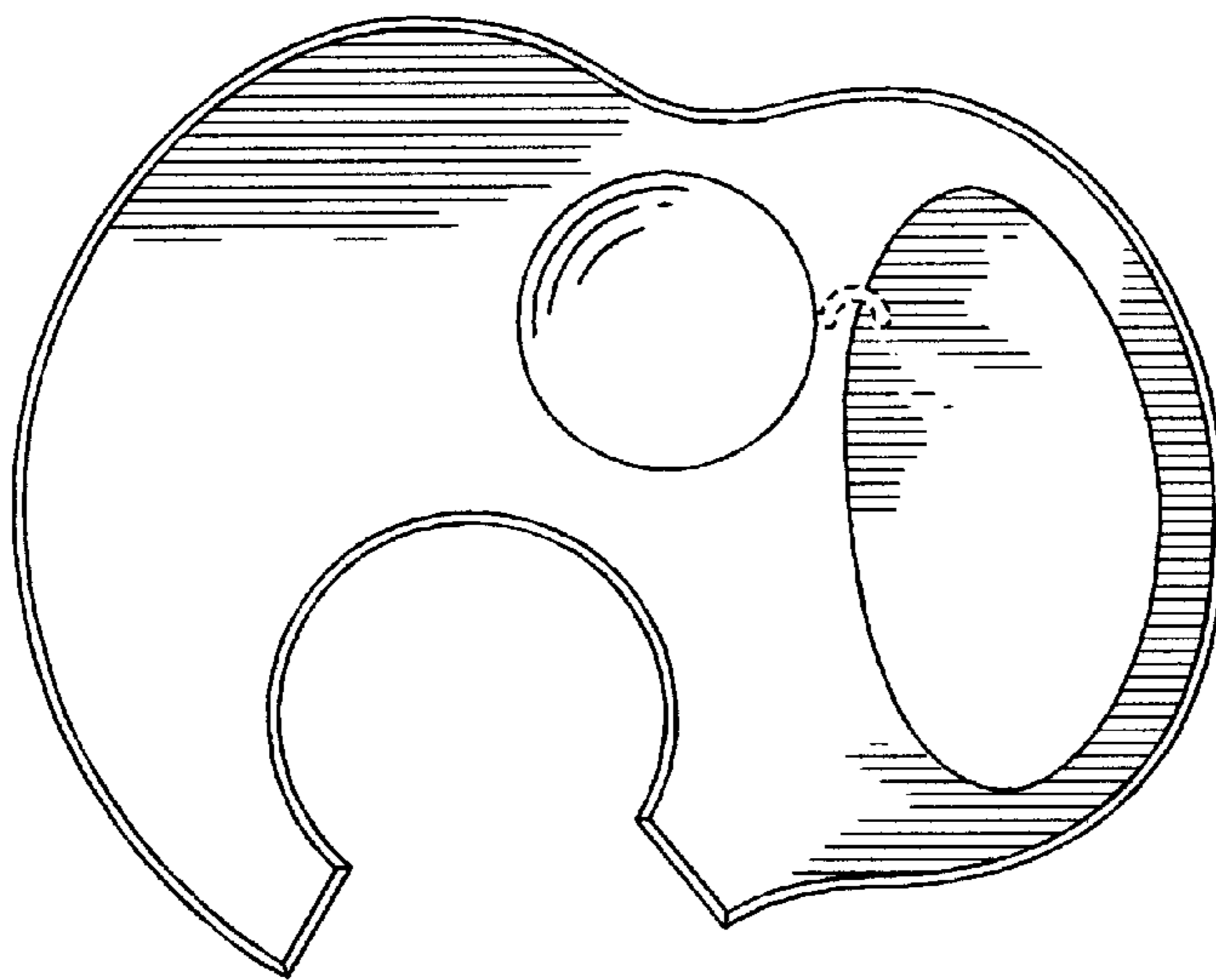
**FIG. 4.**



***FIG. 5.***



**FIG. 6.**



**FIG. 7.**