



US00D488201S

(12) **United States Design Patent**
Wahl et al.

(10) **Patent No.:** **US D488,201 S**
(45) **Date of Patent:** **** Apr. 6, 2004**

(54) **GOLF CLUB IRON HEAD**

D468,382 S * 1/2003 Wahl et al. D21/747

(76) Inventors: **Bret Wahl**, 5545 Fermi Ct., Carlsbad, CA (US) 92008; **John B. Hoefflich**, 5545 Fermi Ct., Carlsbad, CA (US) 92008; **Marni Ines**, 5545 Fermi Ct., Carlsbad, CA (US) 92008; **Michael Walker**, 5545 Fermi Ct., Carlsbad, CA (US) 92008

* cited by examiner

Primary Examiner—Mitchell Siegel

(57) **CLAIM**

We claim the ornamental design for a golf club iron head, as shown and described.

(**) Term: **14 Years**

DESCRIPTION

(21) Appl. No.: **29/163,726**

FIG. 1 is a rear perspective view of a golf club iron head embodying our new design.

(22) Filed: **Jul. 9, 2002**

FIG. 2 is a front elevational view of the golf club iron head of FIG. 1.

(51) **LOC (7) Cl.** **21-02**

FIG. 3 is a rear elevational view of the golf club iron head of FIG. 1.

(52) **U.S. Cl.** **D21/747**

FIG. 4 is a top plan view of the golf club iron head of FIG. 1.

(58) **Field of Search** D21/747-751;
473/324-327, 350

FIG. 5 is a bottom plan of the golf club iron head of FIG. 1.

FIG. 6 is a left side elevational view of the golf club iron head of FIG. 1; and,

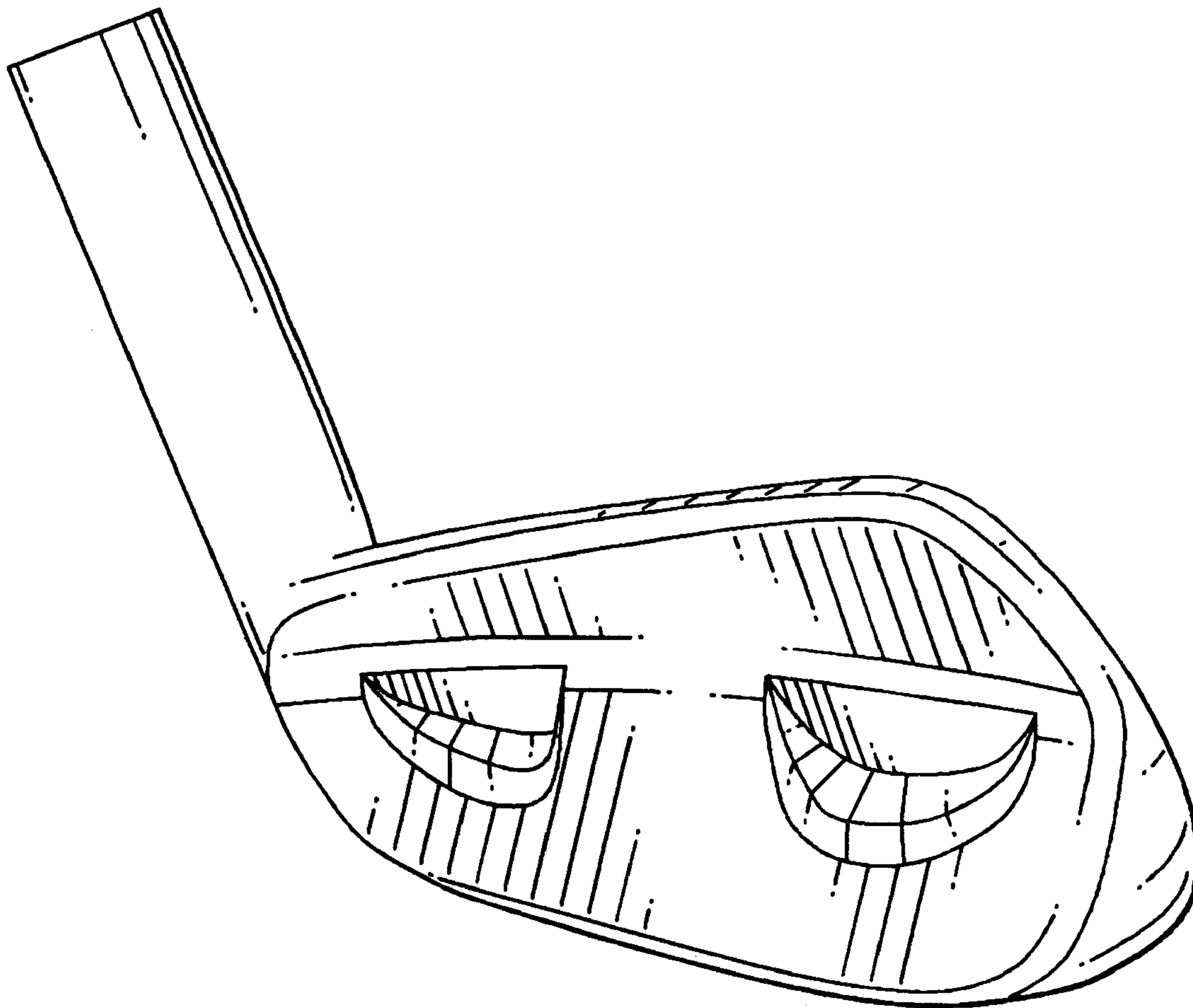
FIG. 7 is a right side elevational view of the golf club iron head of FIG. 1.

(56) **References Cited**

U.S. PATENT DOCUMENTS

D389,540 S * 1/1998 Mendenhall D21/750
5,879,242 A * 3/1999 Mendenhall 473/328

1 Claim, 3 Drawing Sheets



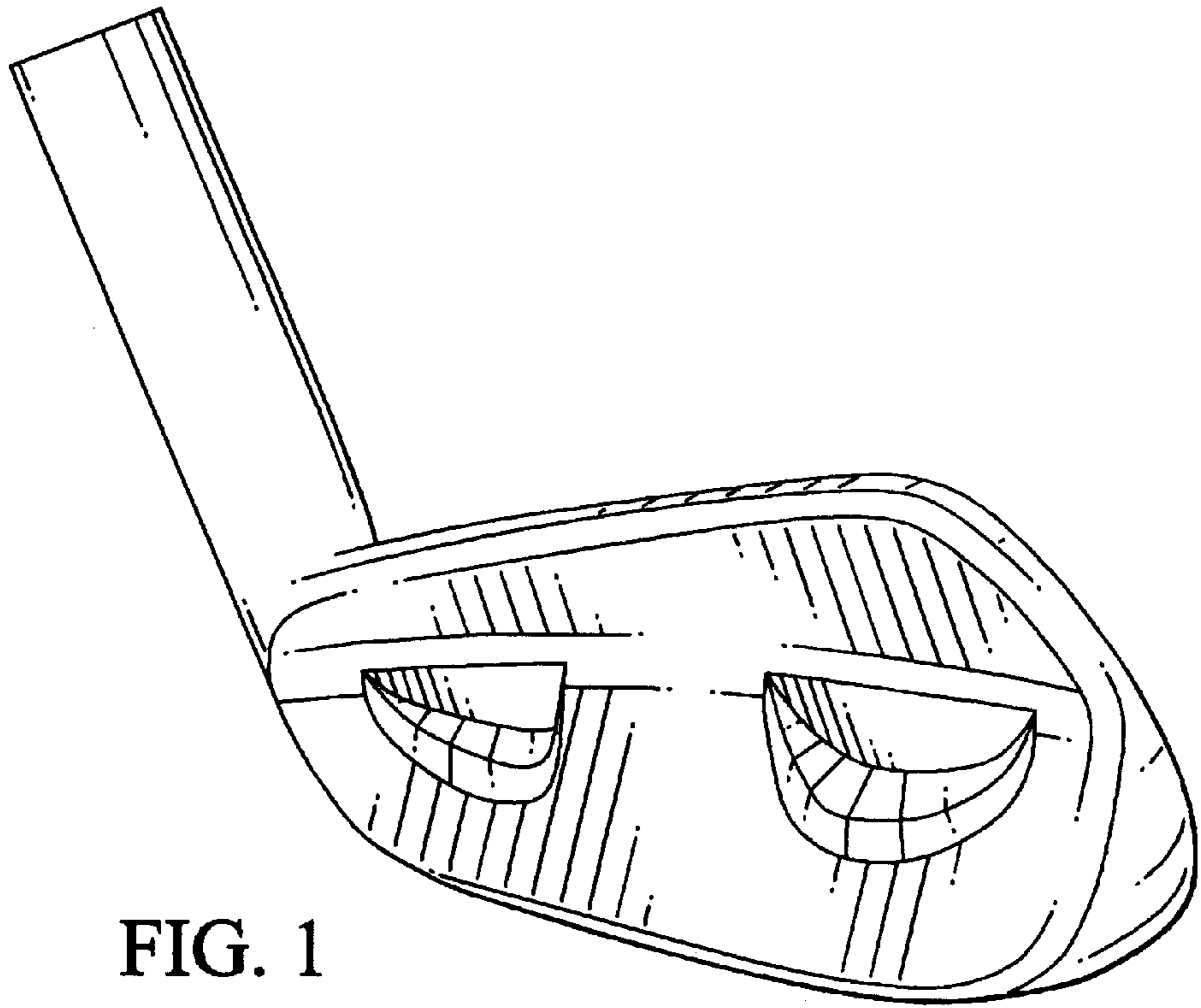


FIG. 1

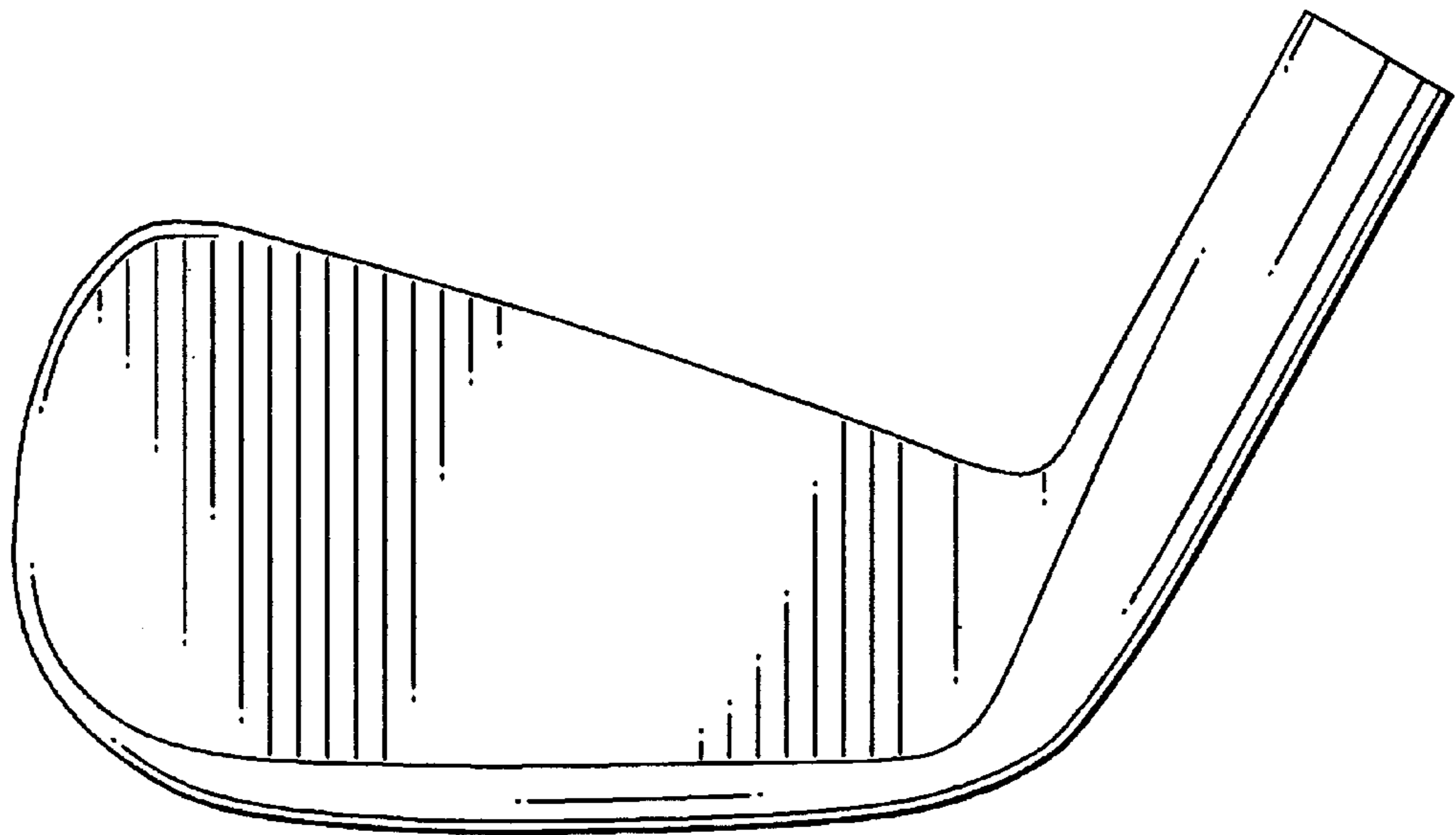


FIG. 2

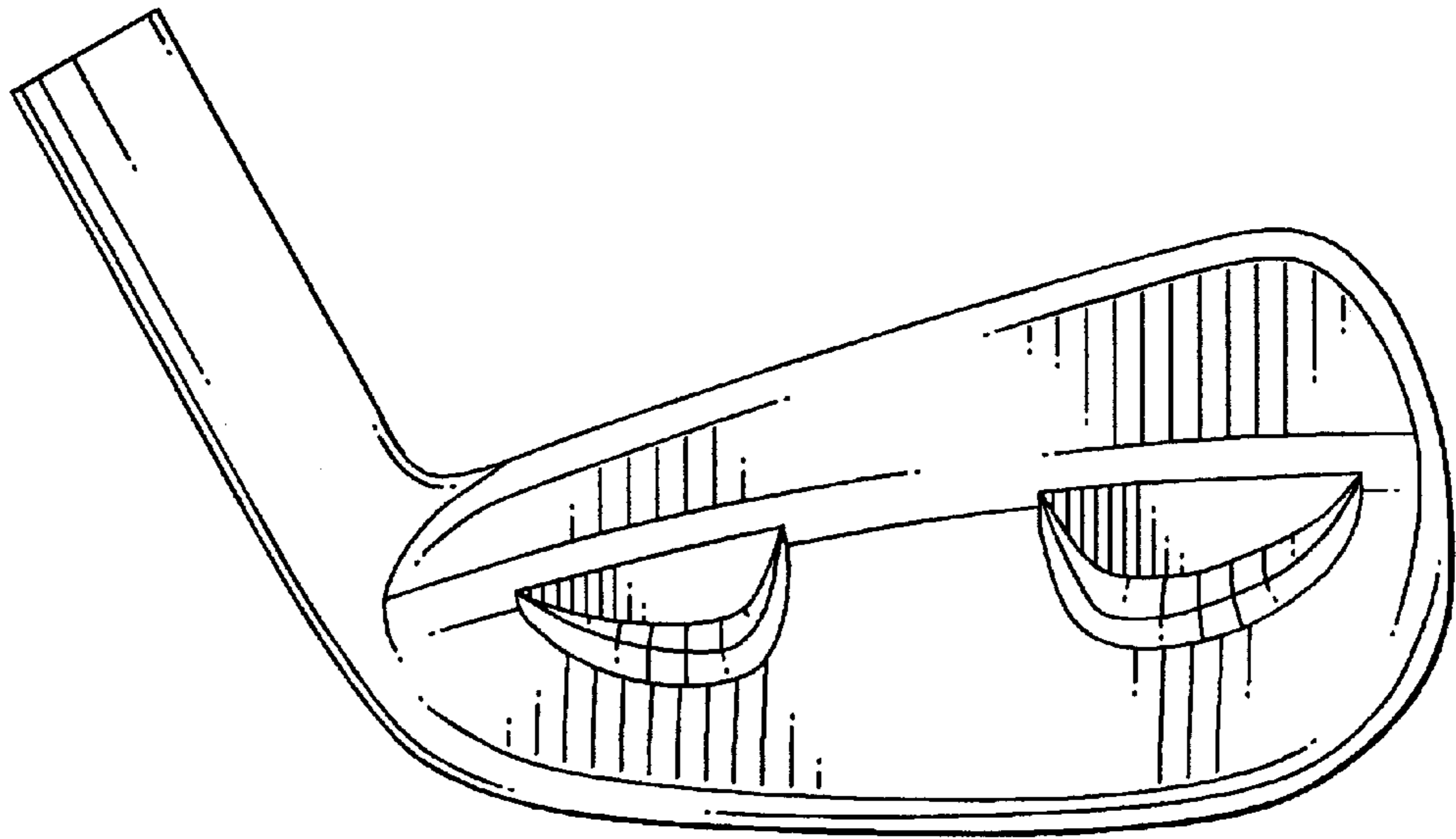


FIG. 3

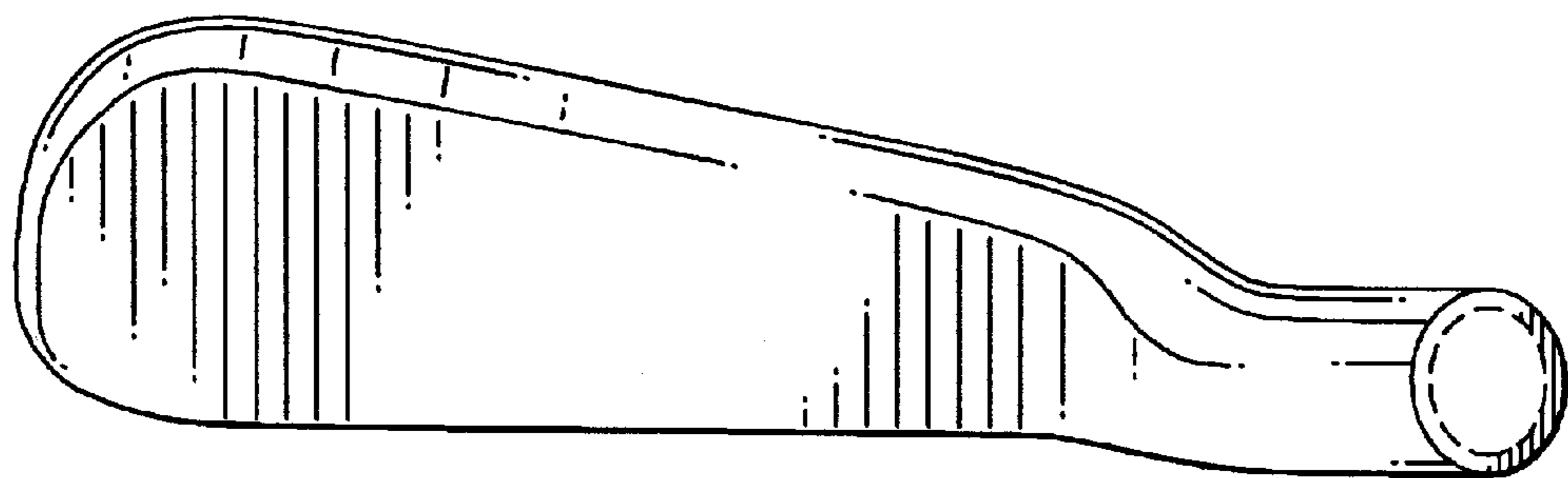


FIG. 4

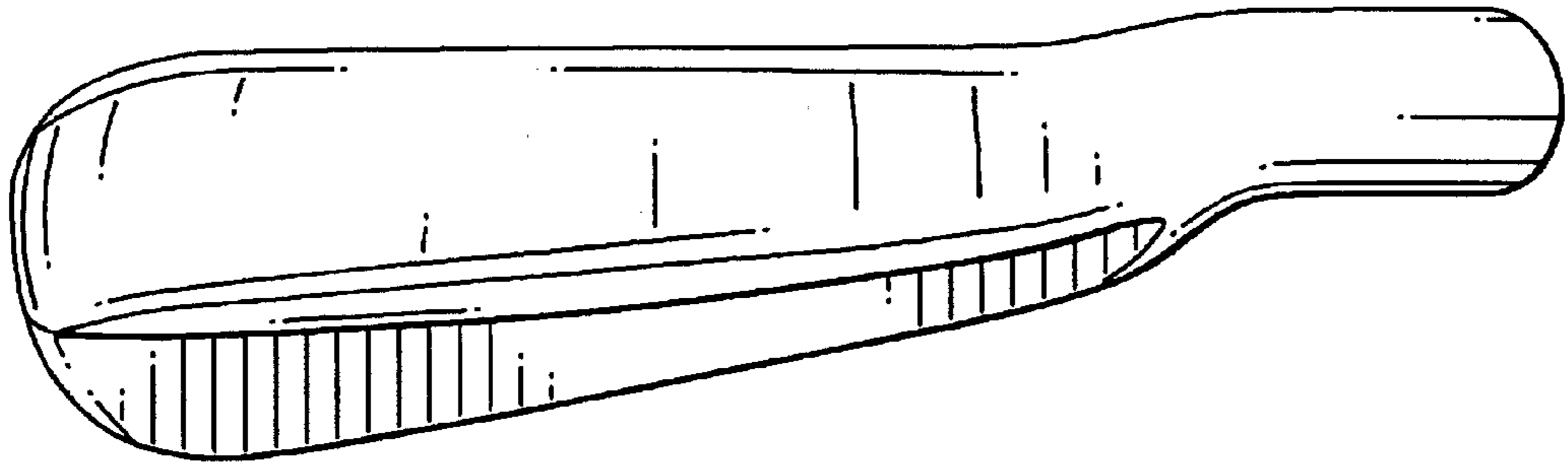


FIG. 5

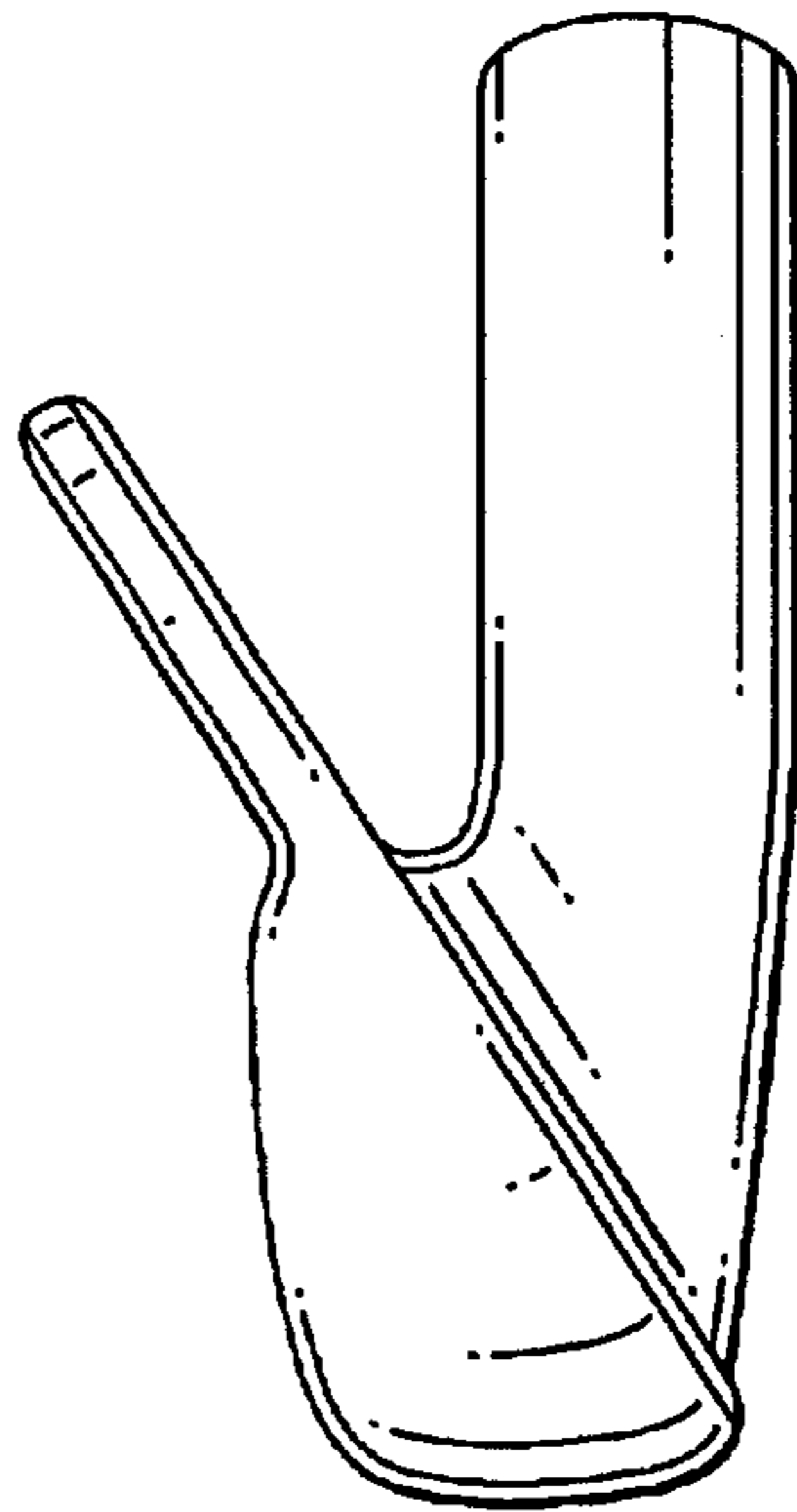


FIG. 6

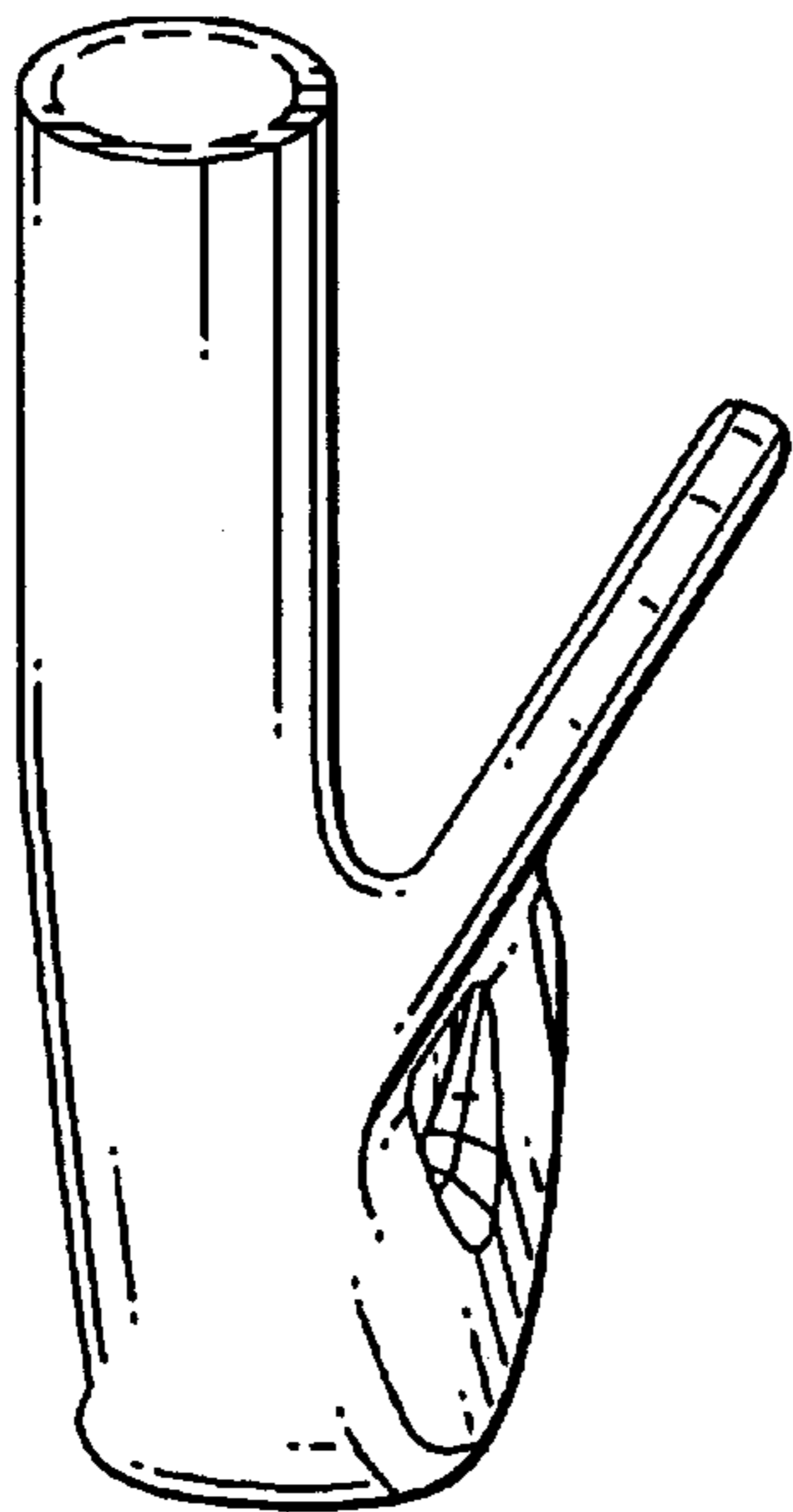


FIG. 7

UNITED STATES PATENT AND TRADEMARK OFFICE
CERTIFICATE OF CORRECTION

PATENT NO. : Des. 488,201 S
DATED : April 6, 2004
INVENTOR(S) : Bret Wahl et al.

Page 1 of 1

It is certified that error appears in the above-identified patent and that said Letters Patent is hereby corrected as shown below:

Title page.

Item [73], Assignee, add -- **Taylor Made Golf Company, Inc.** --

Signed and Sealed this

Third Day of August, 2004

A handwritten signature in black ink on a dotted background. The signature reads "Jon W. Dudas" in a cursive style.

JON W. DUDAS

Acting Director of the United States Patent and Trademark Office