



US00D488200S

(12) **United States Design Patent**
Olsavsky et al.

(10) **Patent No.:** **US D488,200 S**
(45) **Date of Patent:** **** Apr. 6, 2004**

(54) **GOLF CLUB HEAD WITH INSERTS**

2002/0123393 A1 9/2002 Tang et al. 473/340

(75) Inventors: **Thomas Olsavsky**, Encinitas, CA (US);
Sherry L. Jones, Pataskala, OH (US);
Sean Toulon, Vista, CA (US); **Steven**
D. Gray, Poway, CA (US); **Mark A.**
Morgulis, San Diego, CA (US)

(73) Assignee: **Taylor Made Golf Company, Inc.**,
Carlsbad, CA (US)

(**) Term: **14 Years**

(21) Appl. No.: **29/173,881**

(22) Filed: **Jan. 8, 2003**

(51) **LOC (7) Cl.** **21-02**

(52) **U.S. Cl.** **D21/743**

(58) **Field of Search** D21/736-746;
473/324, 327-331, 340, 341, 251-256

(56) **References Cited**

U.S. PATENT DOCUMENTS

4,141,556	A	*	2/1979	Paulin	473/253
4,325,553	A		4/1982	Taylor	273/167
D320,638	S		10/1991	Mermillod	D21/219
5,344,151	A		9/1994	Anderson et al.	273/171
5,489,097	A		2/1996	Simmons	273/170
5,580,058	A		12/1996	Coughlin	273/250
5,630,765	A		5/1997	Moore	473/252
5,685,784	A		11/1997	Butler	473/340
D395,692	S	*	6/1998	Butler	D21/742
D399,290	S		10/1998	Sizemore, Jr.	D21/742
5,830,078	A		11/1998	McMahan	473/252
D430,631	S		9/2000	Garcia	D21/742
D461,514	S		8/2002	Tang et al.	D21/742
D461,861	S		8/2002	Tang et al.	D21/742
D463,002	S		9/2002	Tang et al.	D21/759
D467,985	S	*	12/2002	Tang et al.	D21/742
D470,904	S	*	2/2003	Tang et al.	D21/742
D479,291	S	*	9/2003	Murray	D21/742
2002/0034986	A1		3/2002	Helmstetter et al.	473/340

OTHER PUBLICATIONS

Putters, two-page print-out from <http://www.marticogolf.com/putter-list.htm>.

Taylor Made Golf Company brochure, Orlando 1991.

Clubmaking Catalog, Orlando 1991, "Wedges & Putters," p. 108.

Edwin Watts Golf Catalog, Summer 2002, "T-Bar Putter," "New Belly Putters" and "Tour Edge T-Balanced Belly Putter," p. 41.

Edwin Watts Golf Catalog, Summer 2002, "Zen Oracle Training Putter," Item No. 6762, p. 49.

* cited by examiner

Primary Examiner—Mitchell Siegel

(74) *Attorney, Agent, or Firm*—Sheppard, Mullin, Richter & Hampton LLP

(57) **CLAIM**

We claim the ornamental design for a golf club head with inserts, as shown and described.

DESCRIPTION

FIG. 1 is a top right perspective view of a golf club head with inserts embodying our new design.

FIG. 2 is a right side elevational view of the golf club head of FIG. 1.

FIG. 3 is a top plan view of the golf club head of FIG. 1.

FIG. 4 is a front elevational view of the golf club head of FIG. 1.

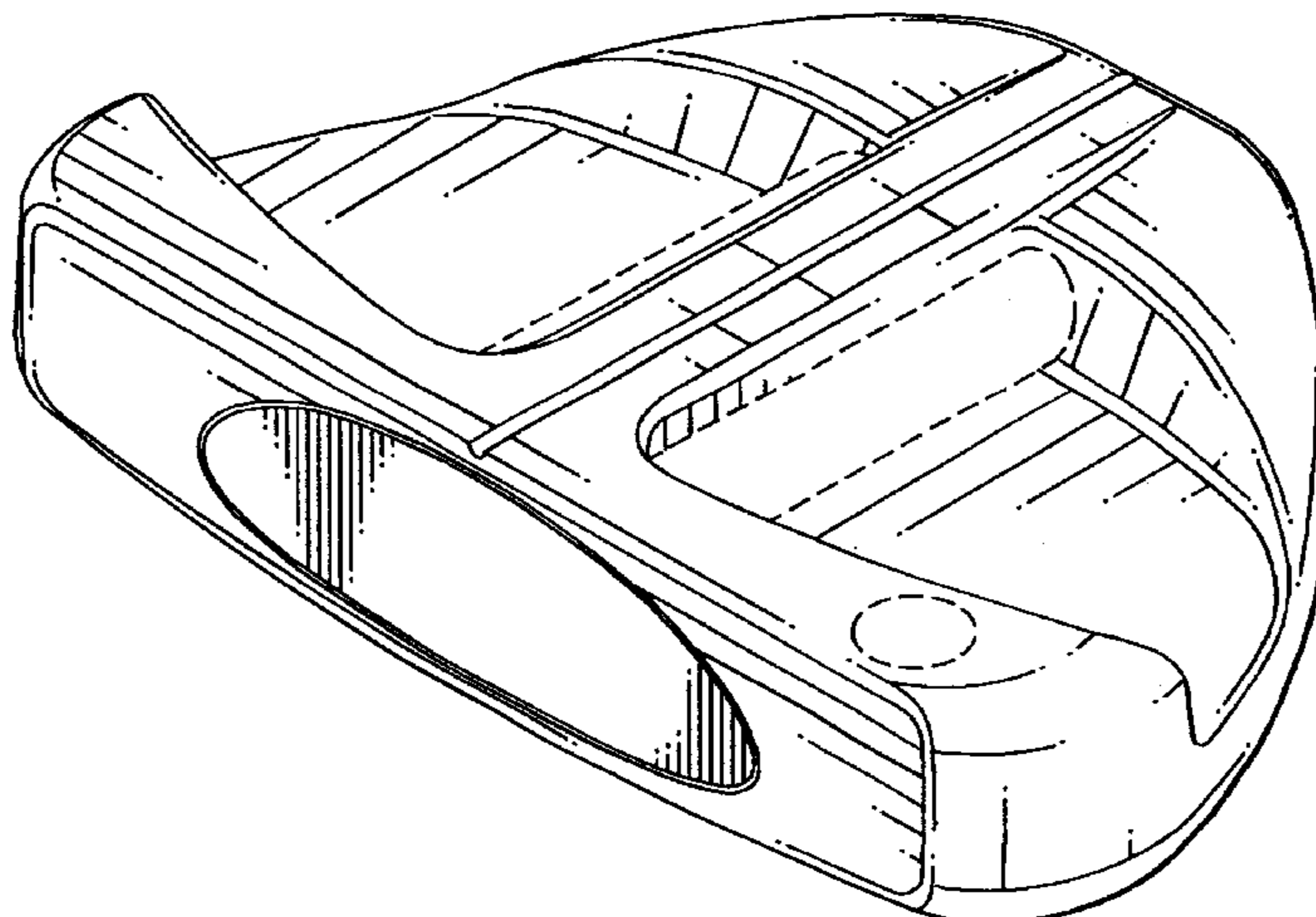
FIG. 5 is a left side elevational view of the golf club head of FIG. 1.

FIG. 6 is a rear elevational view of the golf club head of FIG. 1; and,

FIG. 7 is a bottom plan view of the golf club head of FIG. 1.

The broken lines are included for illustrative purposes only, and form no part of the claimed design.

1 Claim, 4 Drawing Sheets



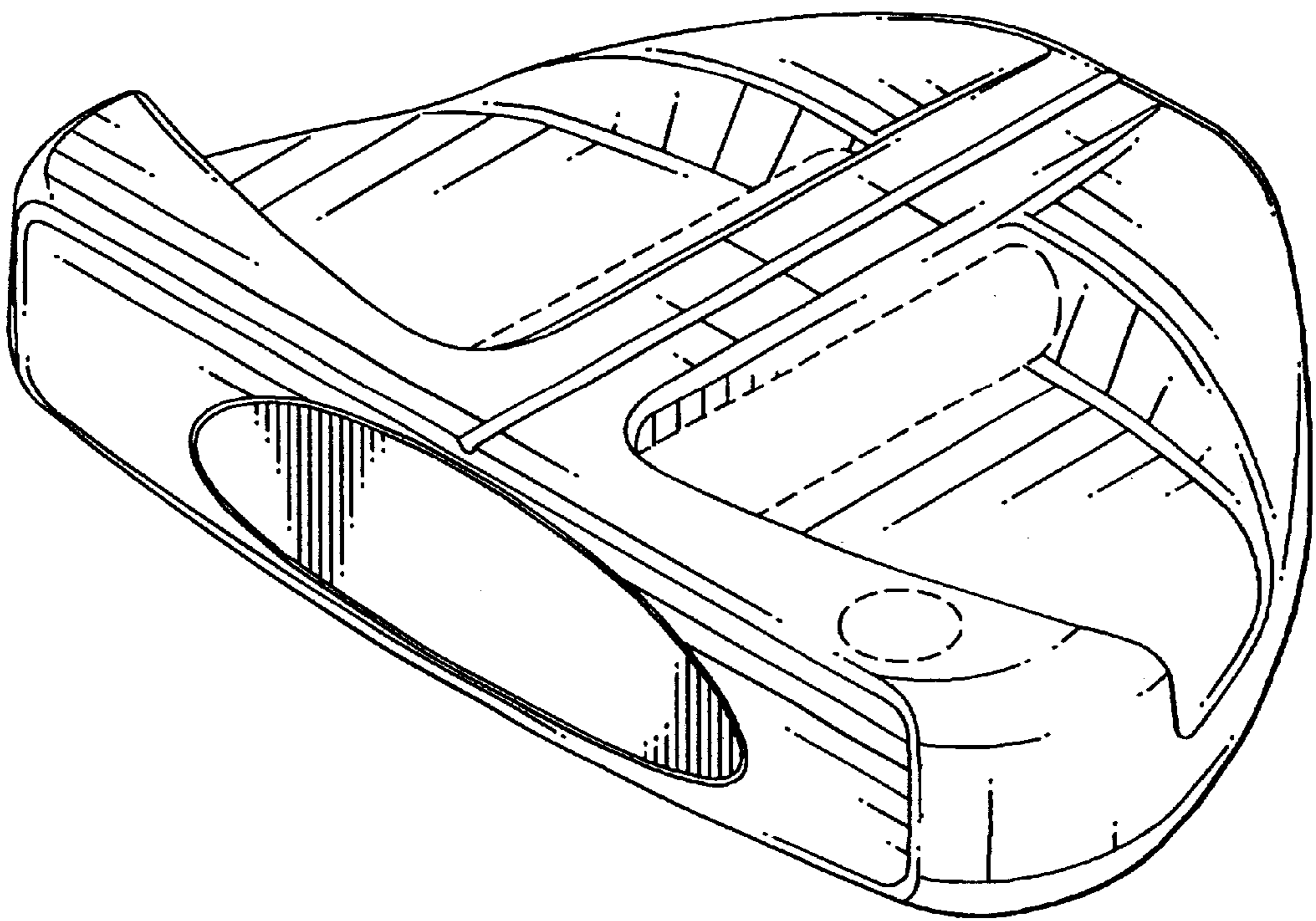


FIG. 1

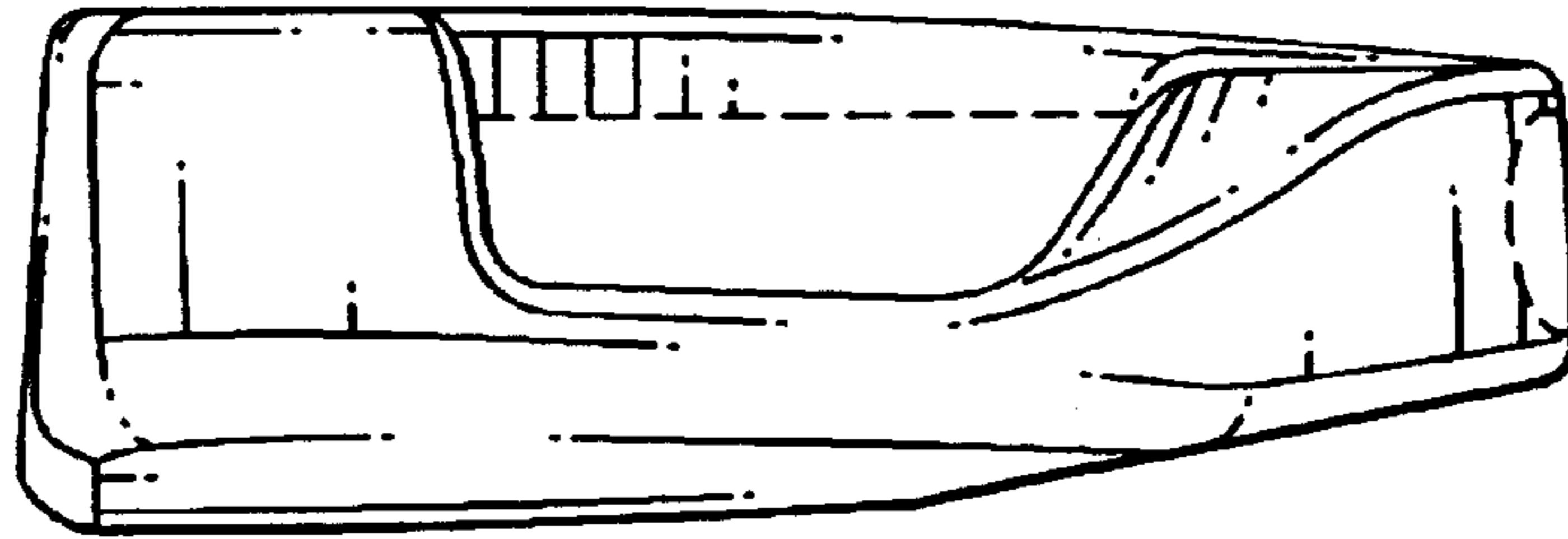


FIG. 2

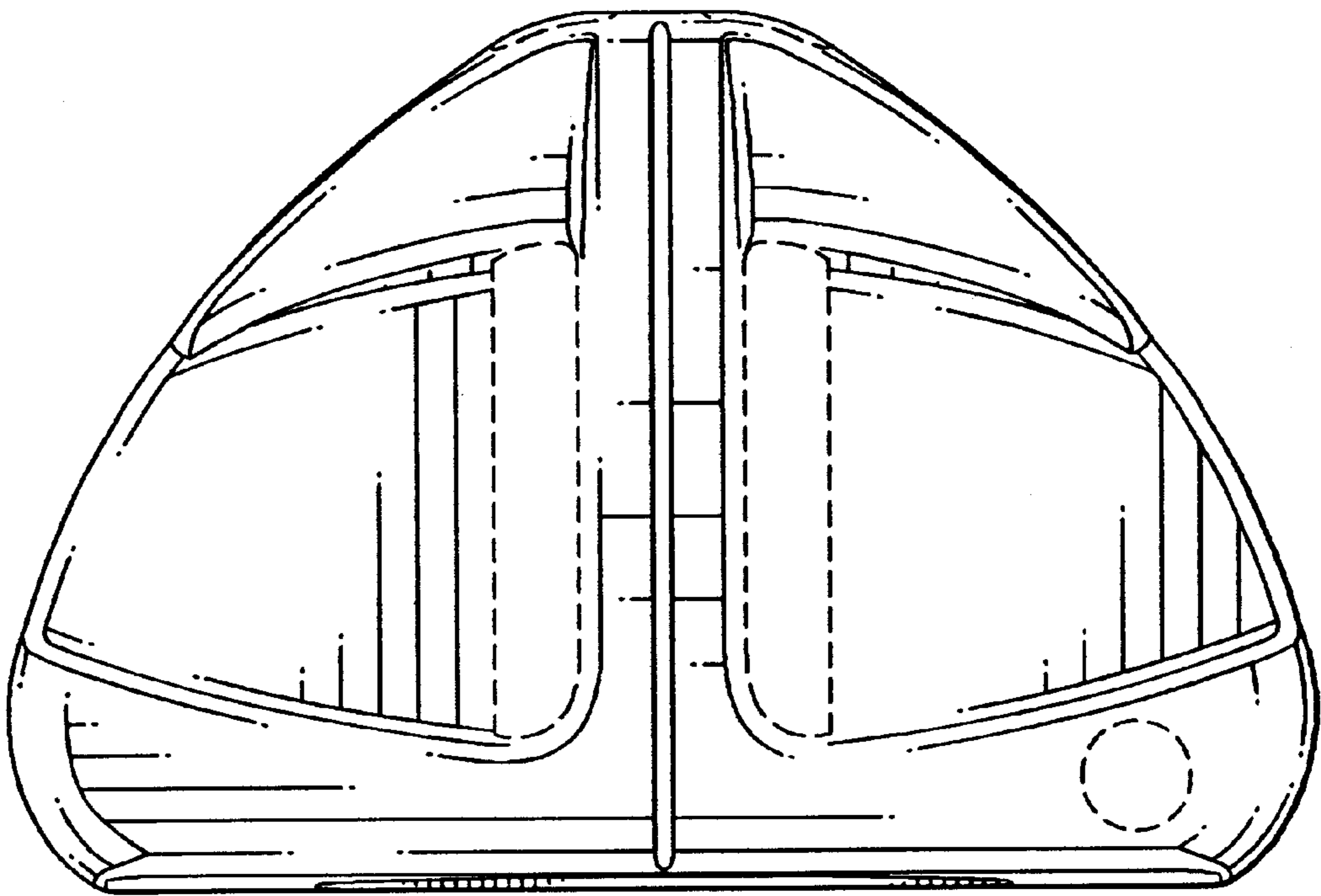


FIG. 3

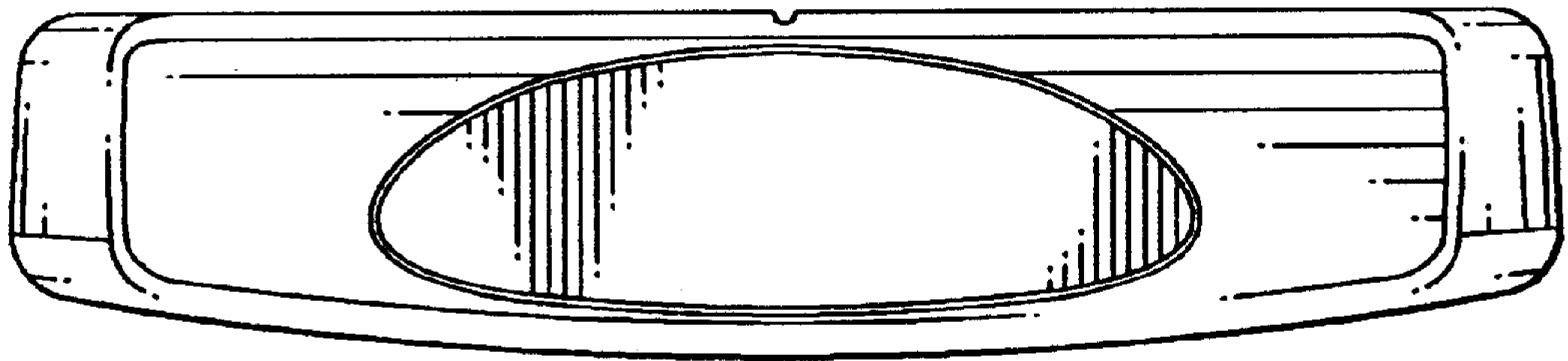


FIG. 4

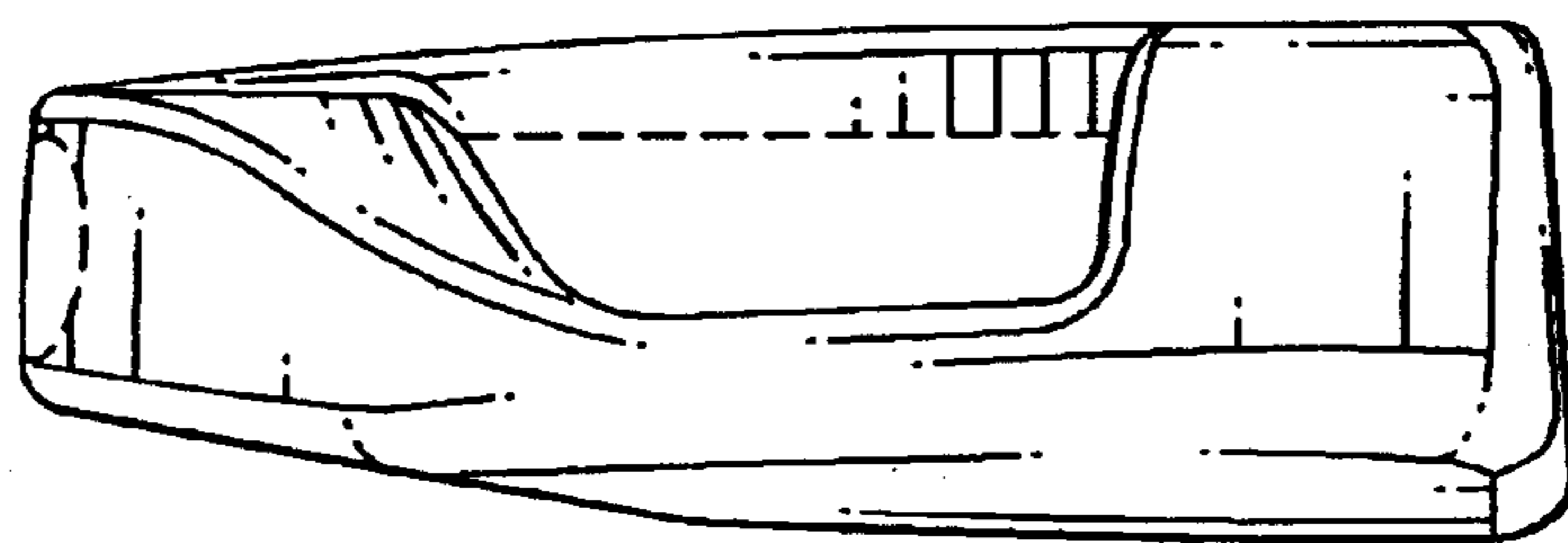


FIG. 5

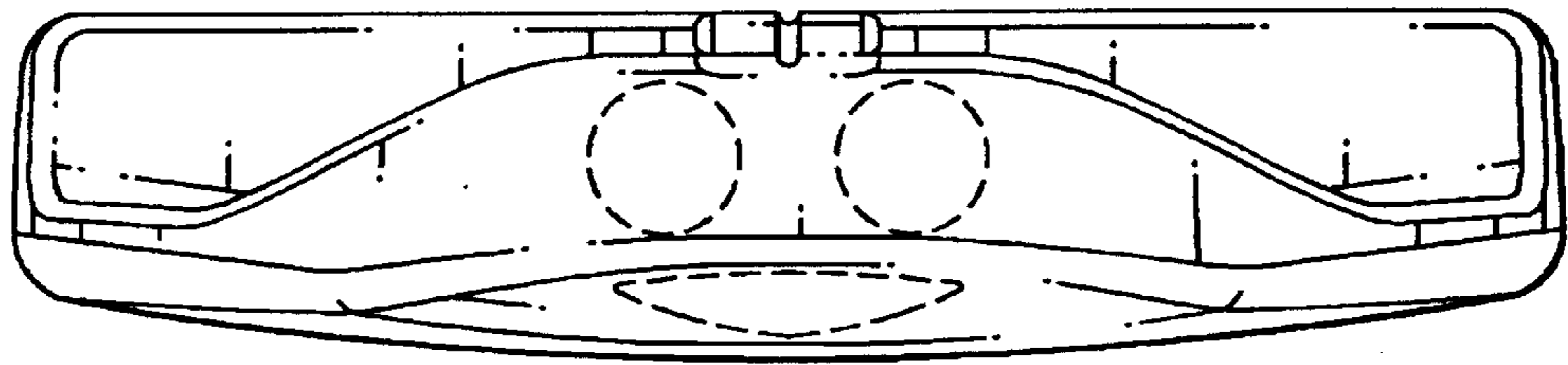


FIG. 6

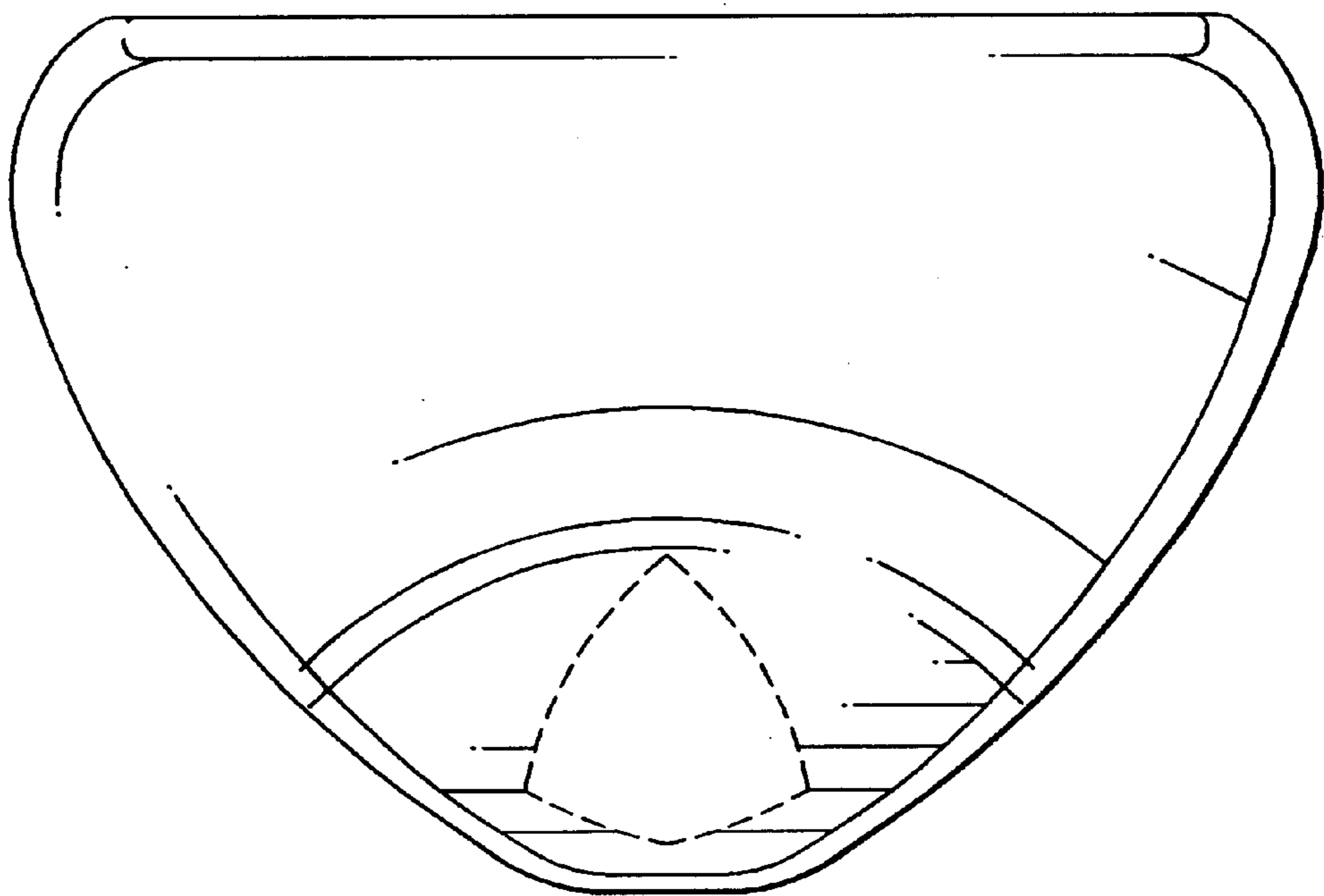


FIG. 7