



US00D488198S

(12) **United States Design Patent**
Evans

(10) **Patent No.:** **US D488,198 S**

(45) **Date of Patent:** **** Apr. 6, 2004**

(54) **EXERCISE DEVICE**

(76) **Inventor:** **Robert Scott Evans**, 10858 Nassau Ave., Sunland, CA (US) 91040

(**) **Term:** **14 Years**

(21) **Appl. No.:** **29/178,140**

(22) **Filed:** **Mar. 21, 2003**

(51) **LOC (7) Cl.** **21-02**

(52) **U.S. Cl.** **D21/692**

(58) **Field of Search** D21/662, 684,
D21/692, 693; 482/121, 122, 124, 125,
126, 127, 128

(56) **References Cited**

U.S. PATENT DOCUMENTS

D241,150 S	*	8/1976	Hale	D21/692
D243,103 S	*	1/1977	Hale	D21/692
4,290,600 A	*	9/1981	Kolbel	482/126
D270,263 S	*	8/1983	Kolbel	D21/692
D277,972 S	*	3/1985	Manzi	D21/693

D288,460 S	*	2/1987	Hsu	D21/693
5,031,906 A	*	7/1991	Jang	482/125
D330,739 S	*	11/1992	Yang	D21/693
5,637,066 A	*	6/1997	Chang	482/126

* cited by examiner

Primary Examiner—Philip S. Hyder

(74) *Attorney, Agent, or Firm*—McDonnell Boehnen Hulbert & Berghoff

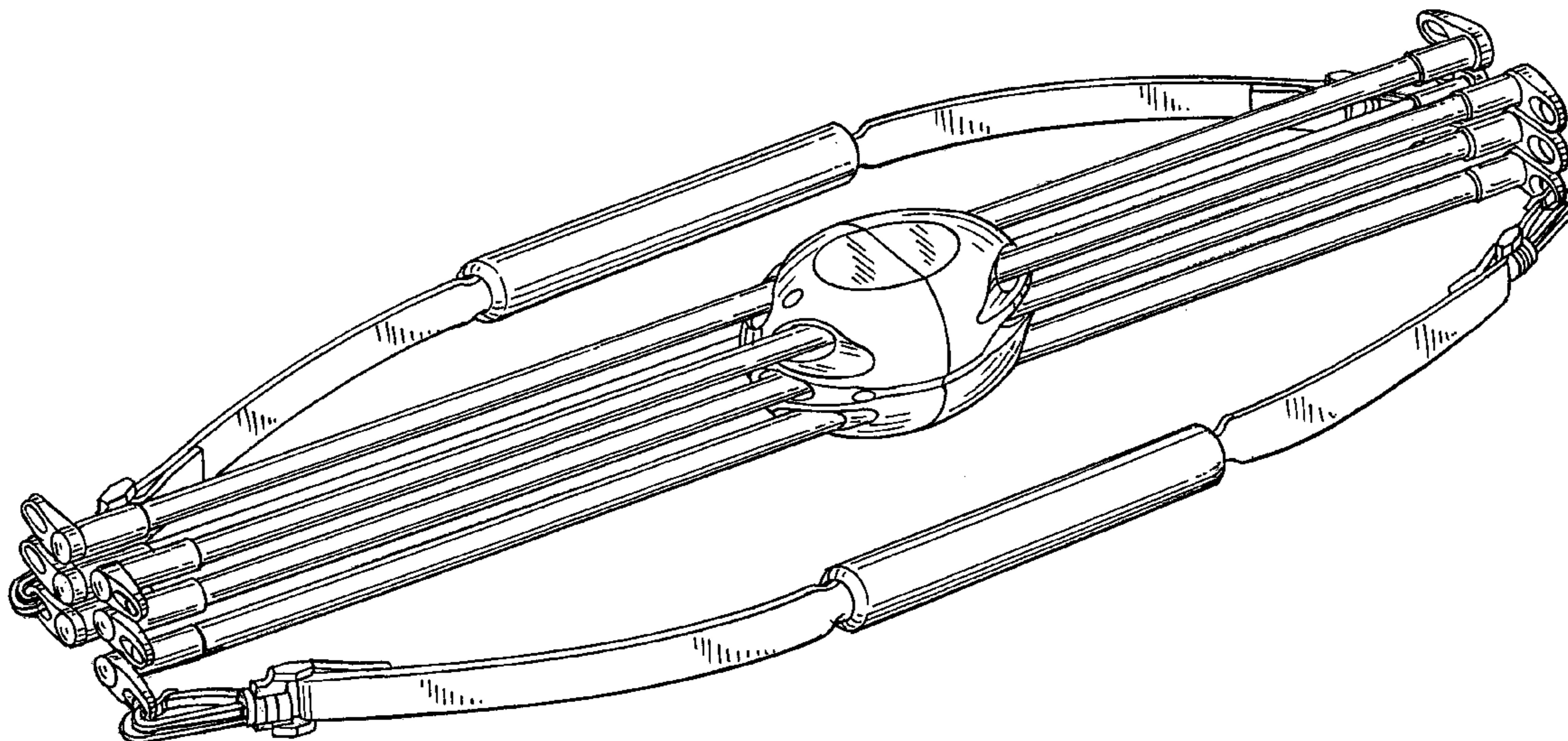
(57) **CLAIM**

The ornamental design for an exercise device, as shown and described.

DESCRIPTION

FIG. 1 is a perspective view of an exercise device, FIG. 2 is a side view of the exercise device shown in FIG. 1, FIG. 3 is a top view of the exercise device shown in FIG. 1; and, FIG. 4 is a front view of the exercise device shown in FIG. 1.

1 Claim, 2 Drawing Sheets



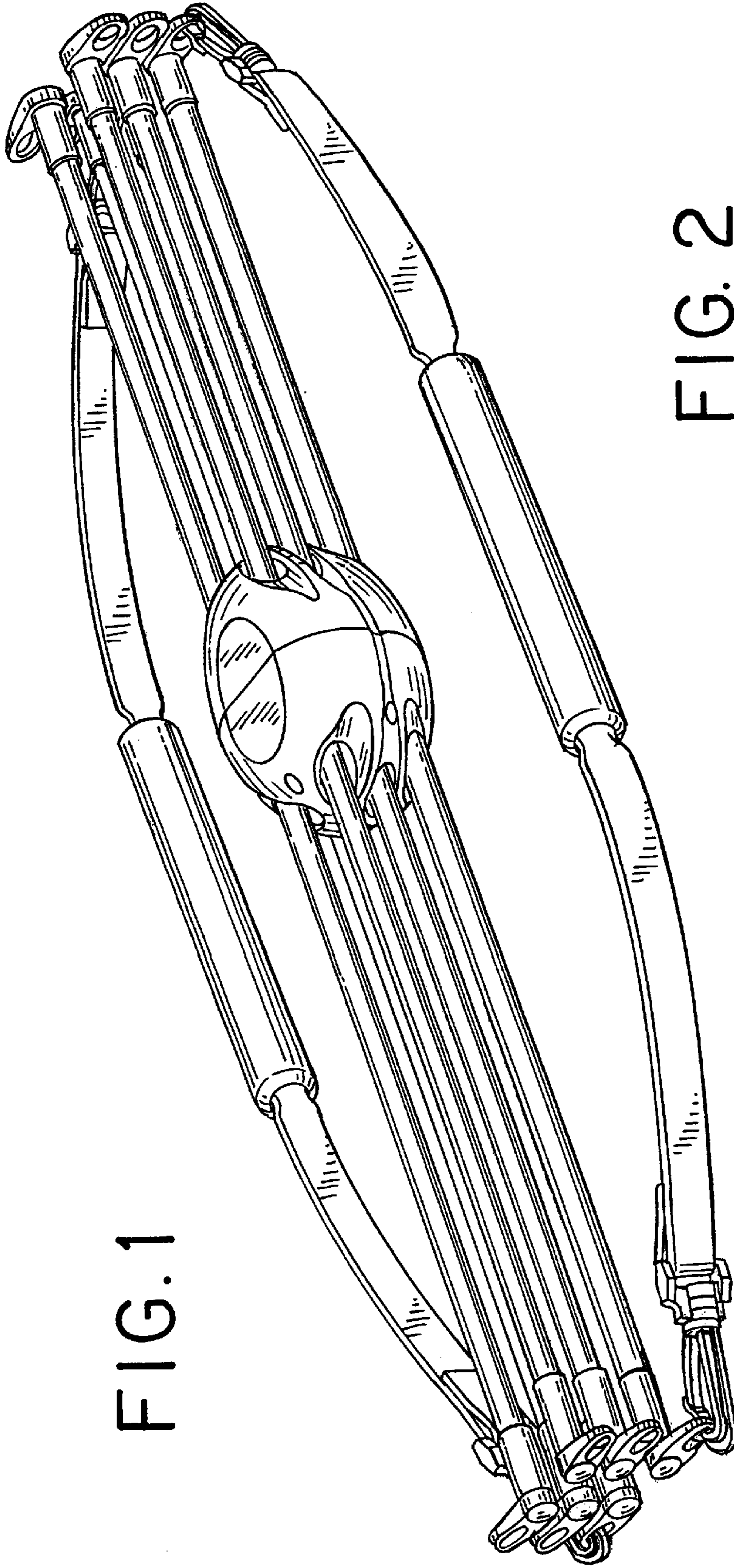


FIG. 1

FIG. 2

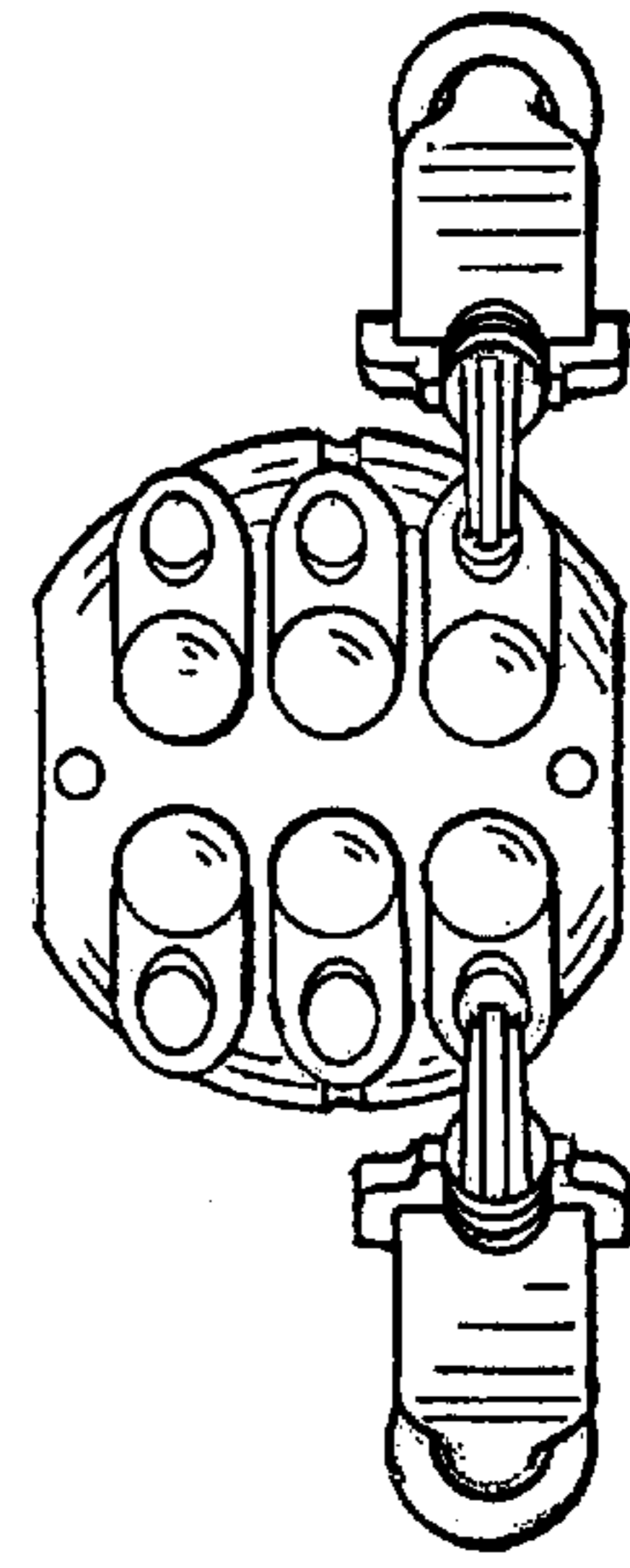


FIG. 3

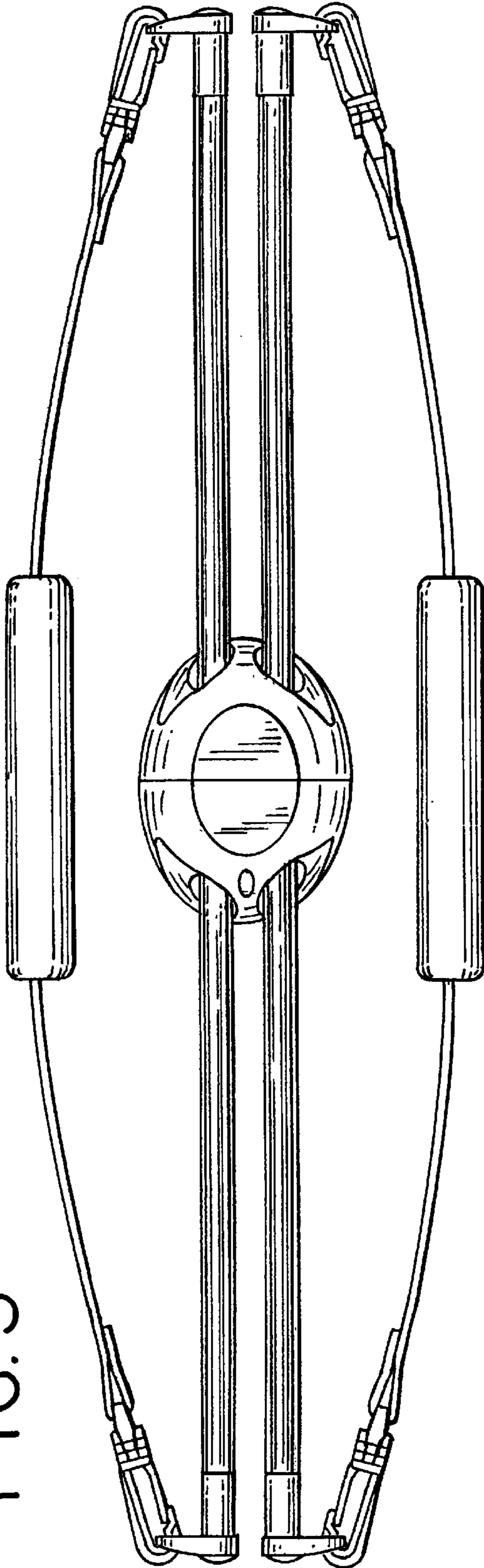


FIG. 4

