



US00D488190S

(12) **United States Design Patent**
Segel

(10) **Patent No.:** **US D488,190 S**

(45) **Date of Patent:** **** Apr. 6, 2004**

- (54) **DECORATIVE NAME TAG**
- (75) Inventor: **Daniel Segel**, Colonie, NY (US)
- (73) Assignee: **Sure Technologies, LLC**, Troy, NY (US)
- (**) Term: **14 Years**
- (21) Appl. No.: **29/179,825**
- (22) Filed: **Apr. 15, 2003**
- (51) **LOC (7) Cl.** **19-08**
- (52) **U.S. Cl.** **D20/27**
- (58) **Field of Search** D20/10, 19, 22,
D20/27, 99; D3/20, 208; D9/423; 116/2,
DIG. 1; 40/1.5, 124.02, 546, 653; 206/38.1;
223/106; 362/812

- D377,808 S * 2/1997 Coe D19/90
- D381,369 S * 7/1997 Sabadina D20/43
- D388,723 S * 1/1998 Williams, Jr. et al. D10/109
- D393,490 S * 4/1998 Burch D20/42
- D399,534 S * 10/1998 Lengyel D20/10
- D406,177 S * 2/1999 Milroy D20/27

* cited by examiner

Primary Examiner—Robert M. Spear
(74) *Attorney, Agent, or Firm*—Ronald A. D’Alessandro;
Hoffman, Warnick & D’Alessandro

(57) **CLAIM**

The ornamental design for a decorative name tag, as shown and described.

DESCRIPTION

FIG. 1 is a perspective view of a decorative name tag, showing my new design;
FIG. 2 is a front view of the design of FIG. 1;
FIG. 3 is a side view of the design of FIG. 1;
FIG. 4 is a right side view of the design of FIG. 3;
FIG. 5 is a left side view of the design of FIG. 3; and,
FIG. 6 is a back view of the design of FIG. 1.

1 Claim, 1 Drawing Sheet

- (56) **References Cited**
- U.S. PATENT DOCUMENTS**
- D133,663 S * 9/1942 Beason D20/43
- D170,563 S * 10/1953 Zipkin D19/59
- 4,869,004 A * 9/1989 Maloney 40/1.5
- D314,015 S * 1/1991 Hickman, Sr. D20/27
- D348,286 S * 6/1994 Garfinkle D20/43

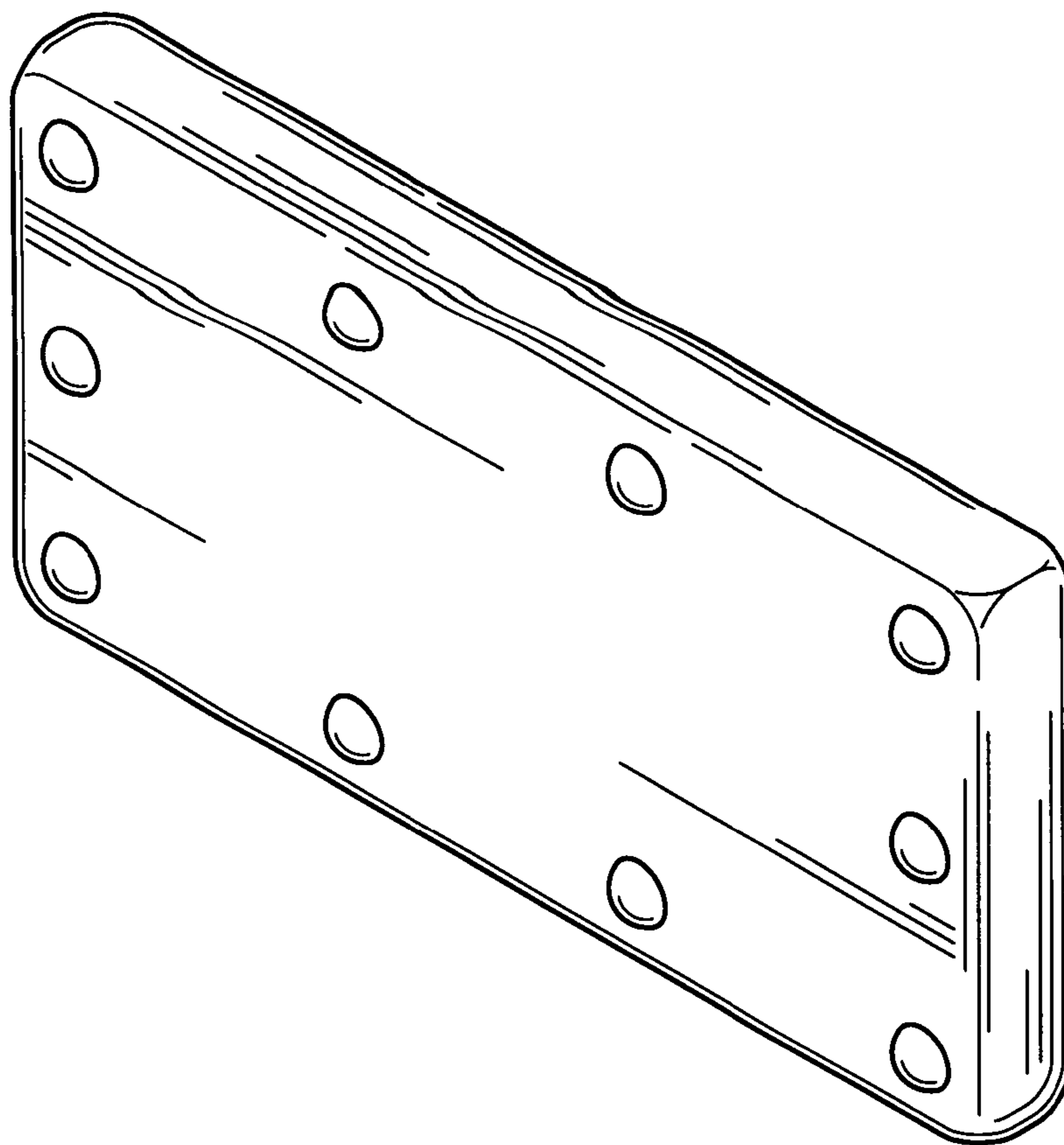


FIG. 1

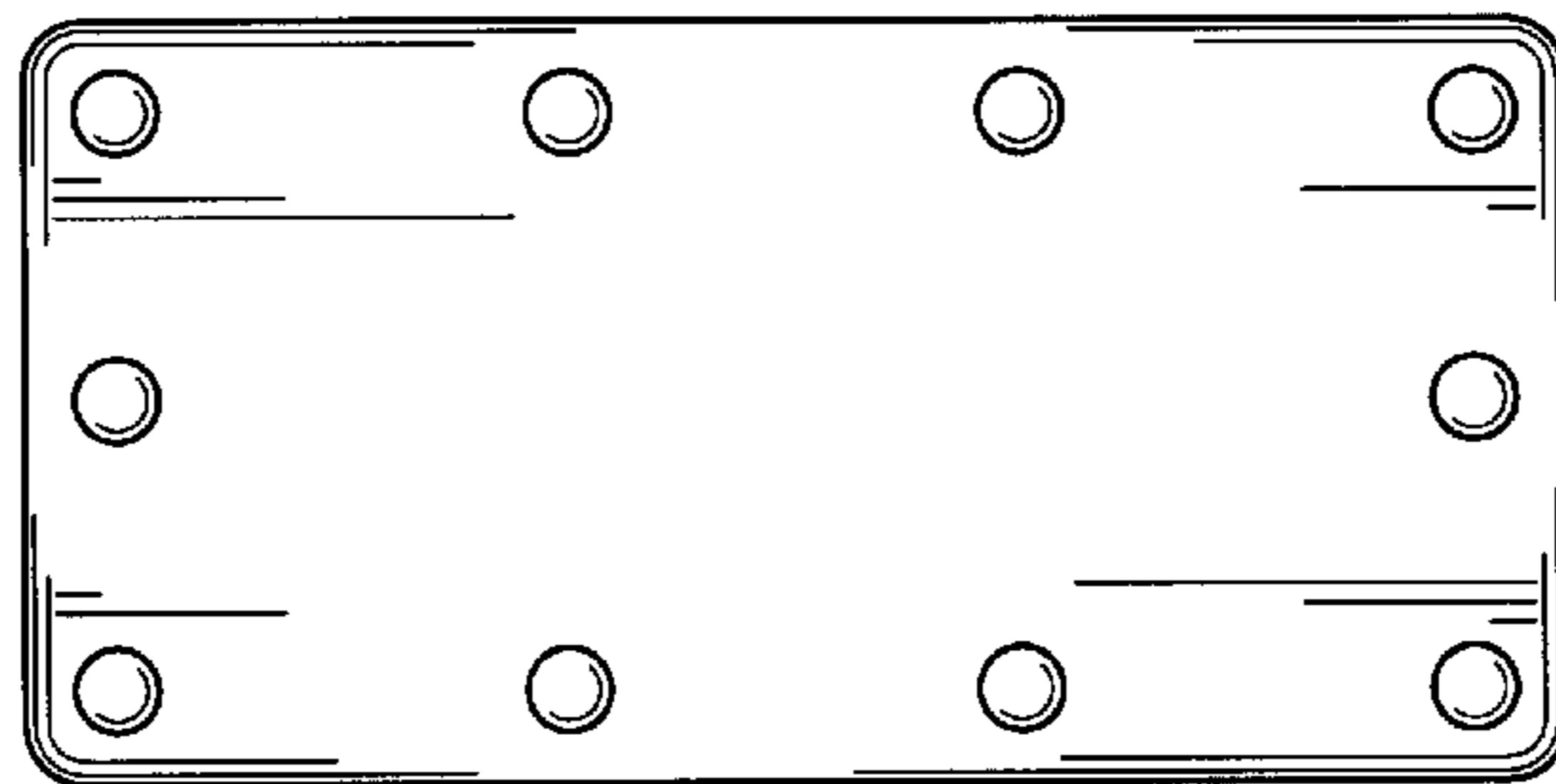
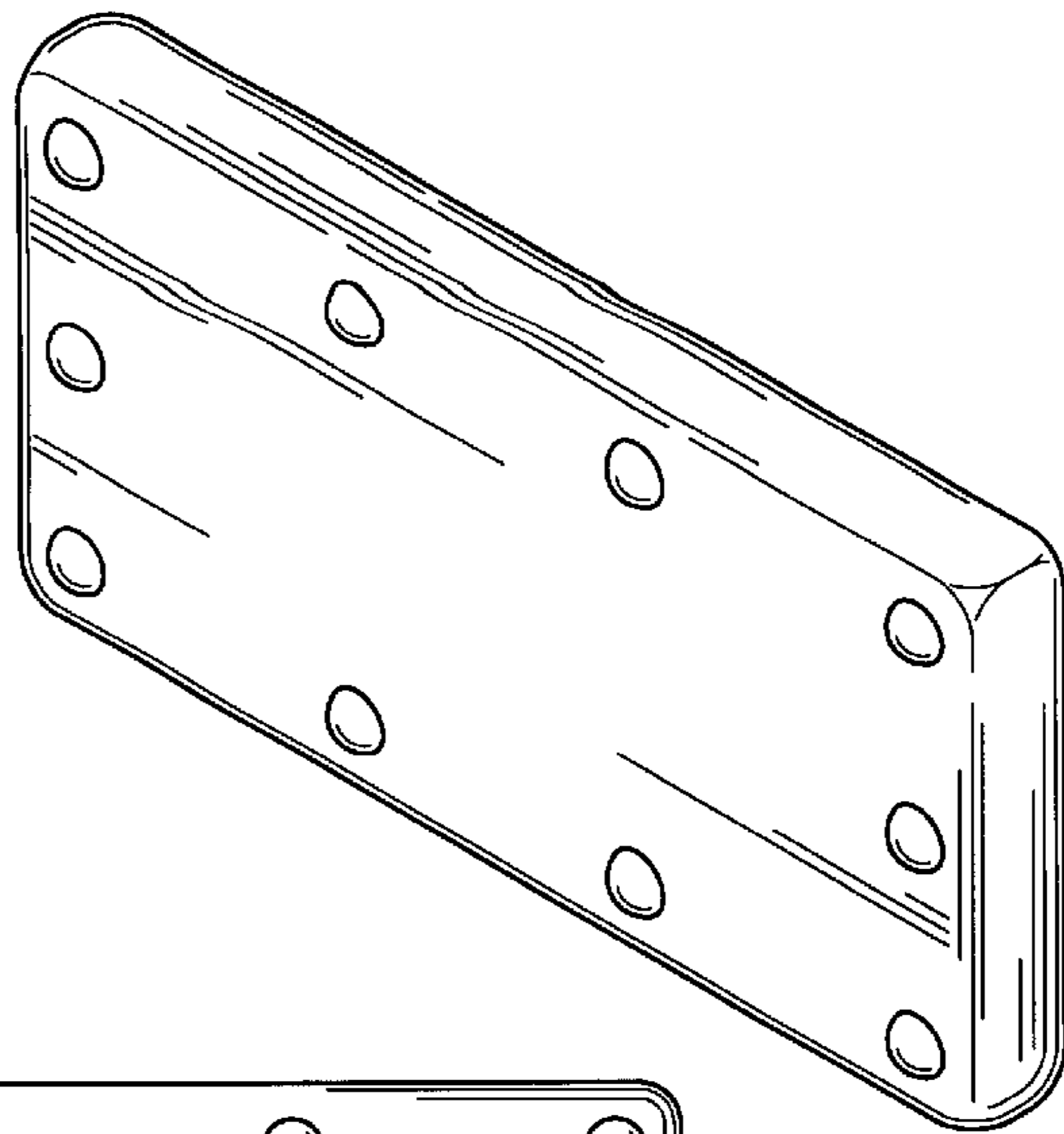


FIG. 2

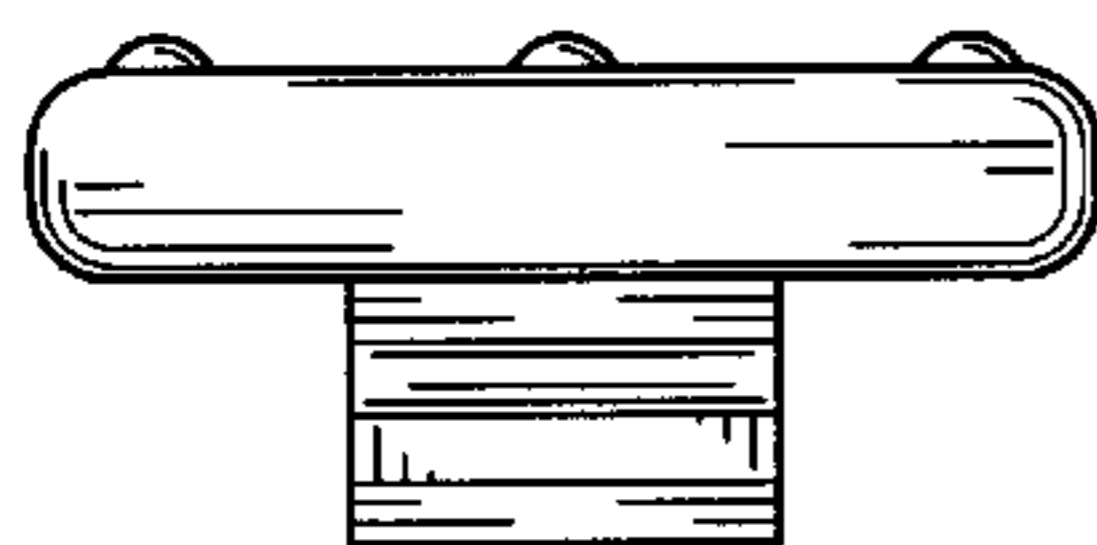


FIG. 5

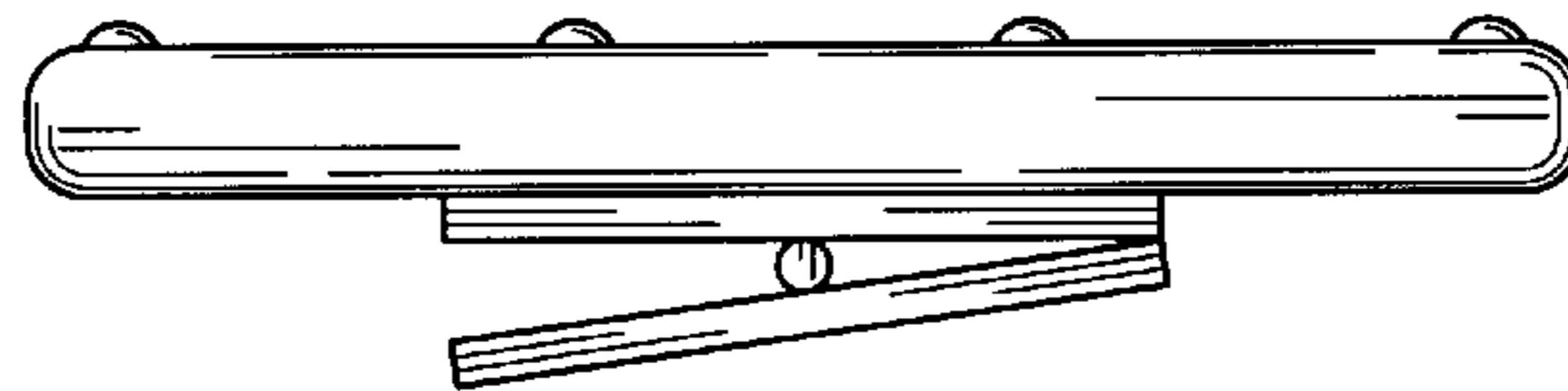


FIG. 3

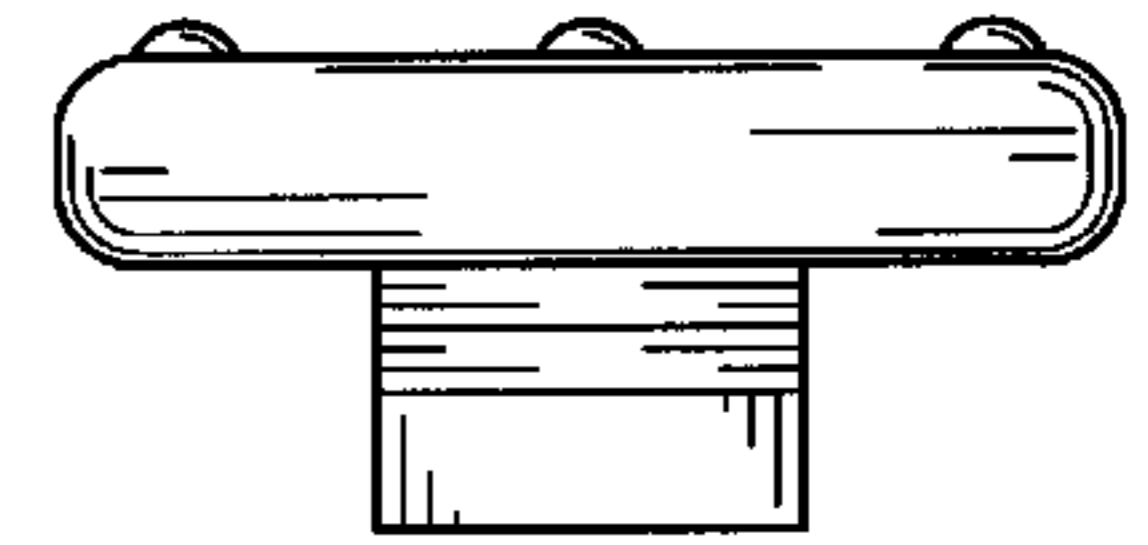


FIG. 4

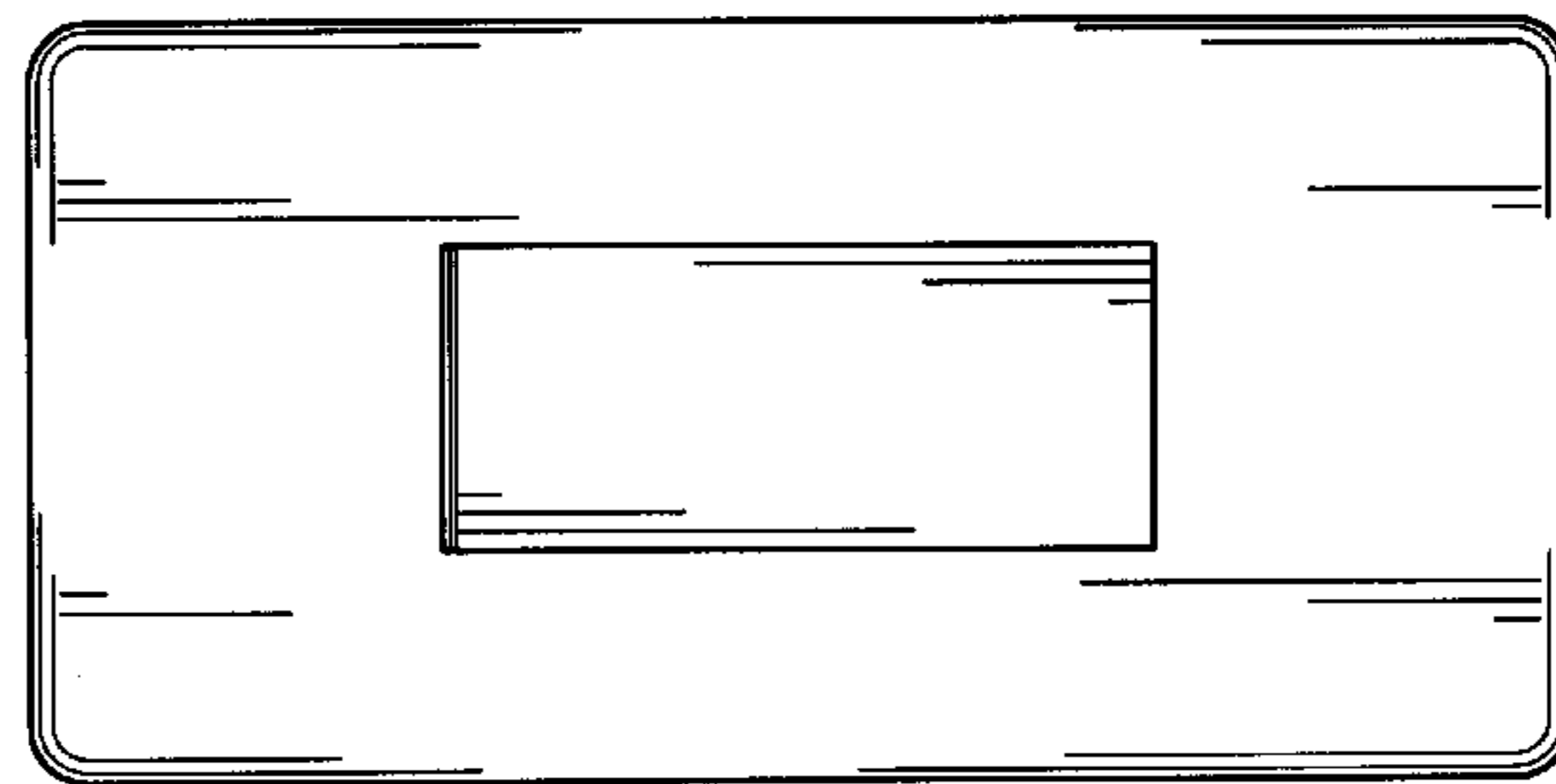


FIG. 6