



US00D488186S

(12) **United States Design Patent**
Favero

(10) **Patent No.:** **US D488,186 S**

(45) **Date of Patent:** **** Apr. 6, 2004**

(54) **STAMP PAD CASE**

(75) **Inventor:** **Kelly Favero**, Salt Lake City, UT (US)

(73) **Assignee:** **Stampin' Up! Inc.**, Sandy, UT (US)

(**) **Term:** **14 Years**

(21) **Appl. No.:** **29/157,688**

(22) **Filed:** **Mar. 22, 2002**

(51) **LOC (7) Cl.** **19-02**

(52) **U.S. Cl.** **D18/17**

(58) **Field of Search** D18/14-18, 19;
D19/65; 101/327, 333, 334, 405, 406; 401/199;
118/270, 264

(56) **References Cited**

U.S. PATENT DOCUMENTS

608,887	A	*	8/1898	Melven	118/264
1,408,207	A	*	2/1922	Jones	101/327
2,290,488	A	*	7/1942	Munson	118/264
2,374,198	A	*	4/1945	Harris	118/270
2,422,814	A	*	6/1947	Alexander	118/270
3,646,907	A	*	3/1972	Dudley	118/264

D372,731	S	*	8/1996	Yasoshima	D18/17
D381,038	S	*	7/1997	Yasoshima	D18/17
D381,357	S	*	7/1997	Yasoshima	D18/17
D382,581	S	*	8/1997	Yasoshima	D18/17
D389,174	S	*	1/1998	Yasoshima	D18/17
D400,567	S	*	11/1998	Yasoshima	D18/17

* cited by examiner

Primary Examiner—Charles A. Rademaker

(74) *Attorney, Agent, or Firm*—K. S. Cornaby

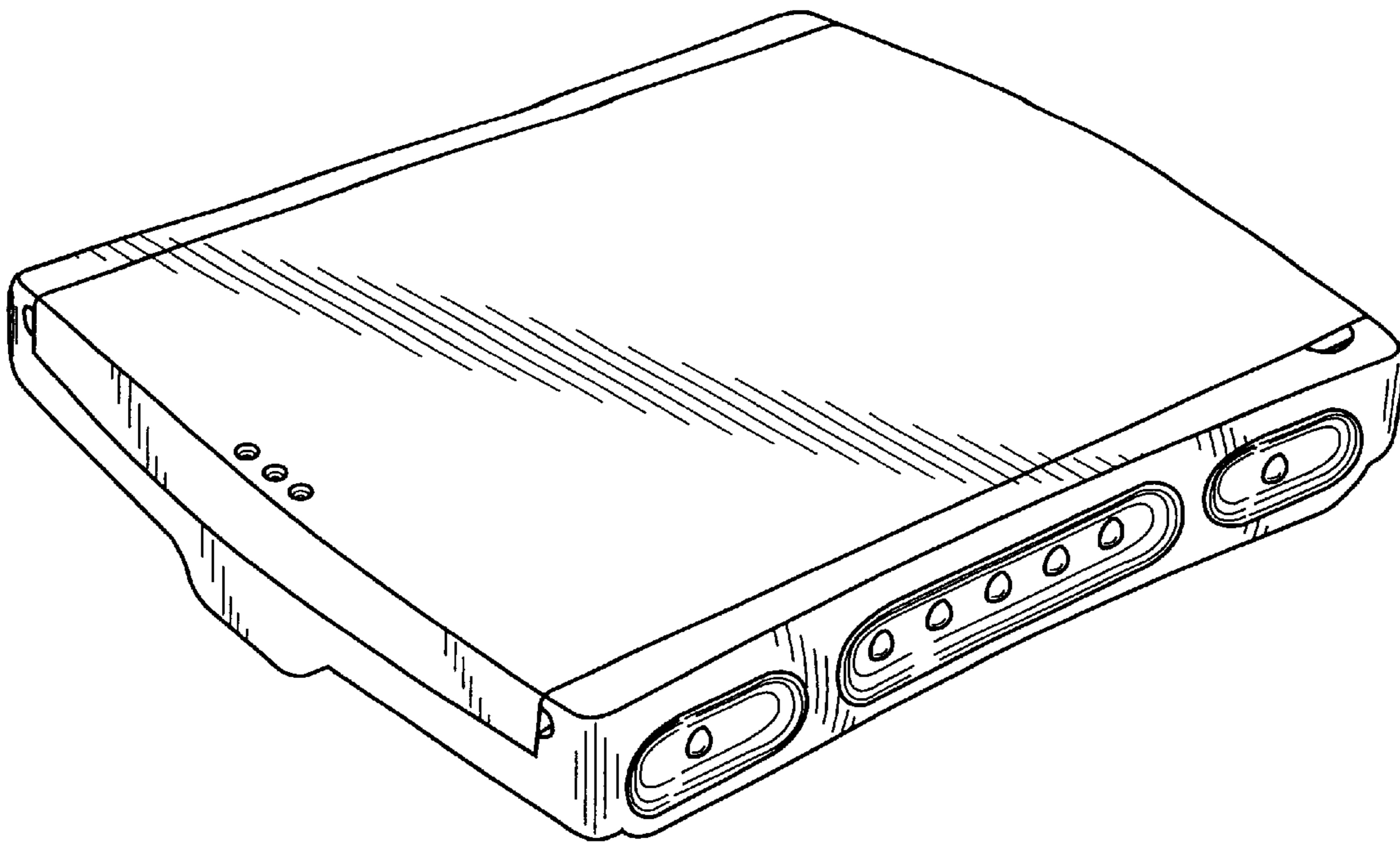
(57) **CLAIM**

The ornamental design for a stamp pad case, as shown.

DESCRIPTION

FIG. 1 is a perspective view taken from the top, front and left side of a stamp pad case showing my new design; FIG. 2 is a top plan view thereof; FIG. 3 is a bottom plan view thereof; FIG. 4 is a left elevational view thereof; FIG. 5 is a right elevational view thereof; FIG. 6 is a front elevational view thereof; and, FIG. 7 is a rear elevational view thereof.

1 Claim, 3 Drawing Sheets



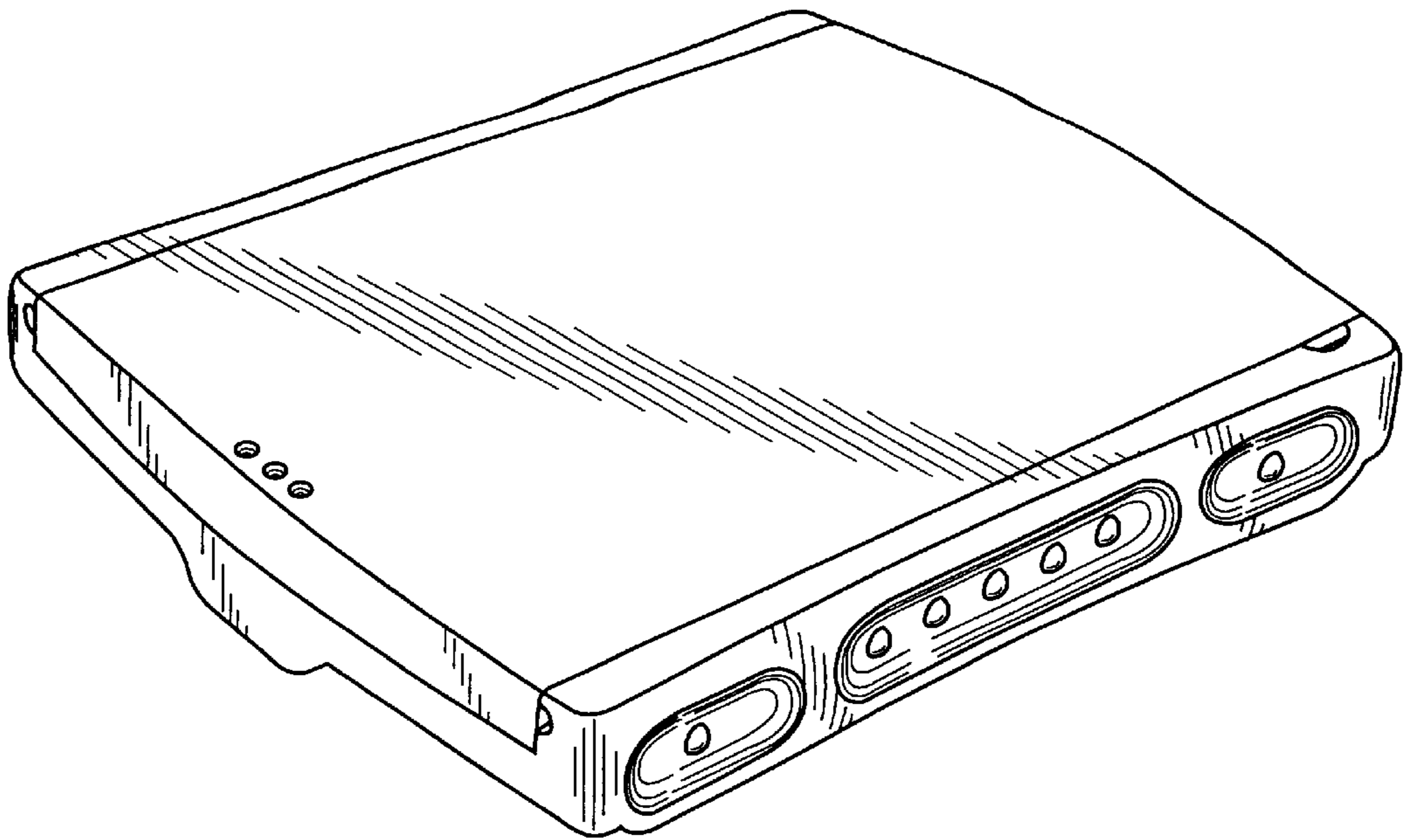


Fig. 1

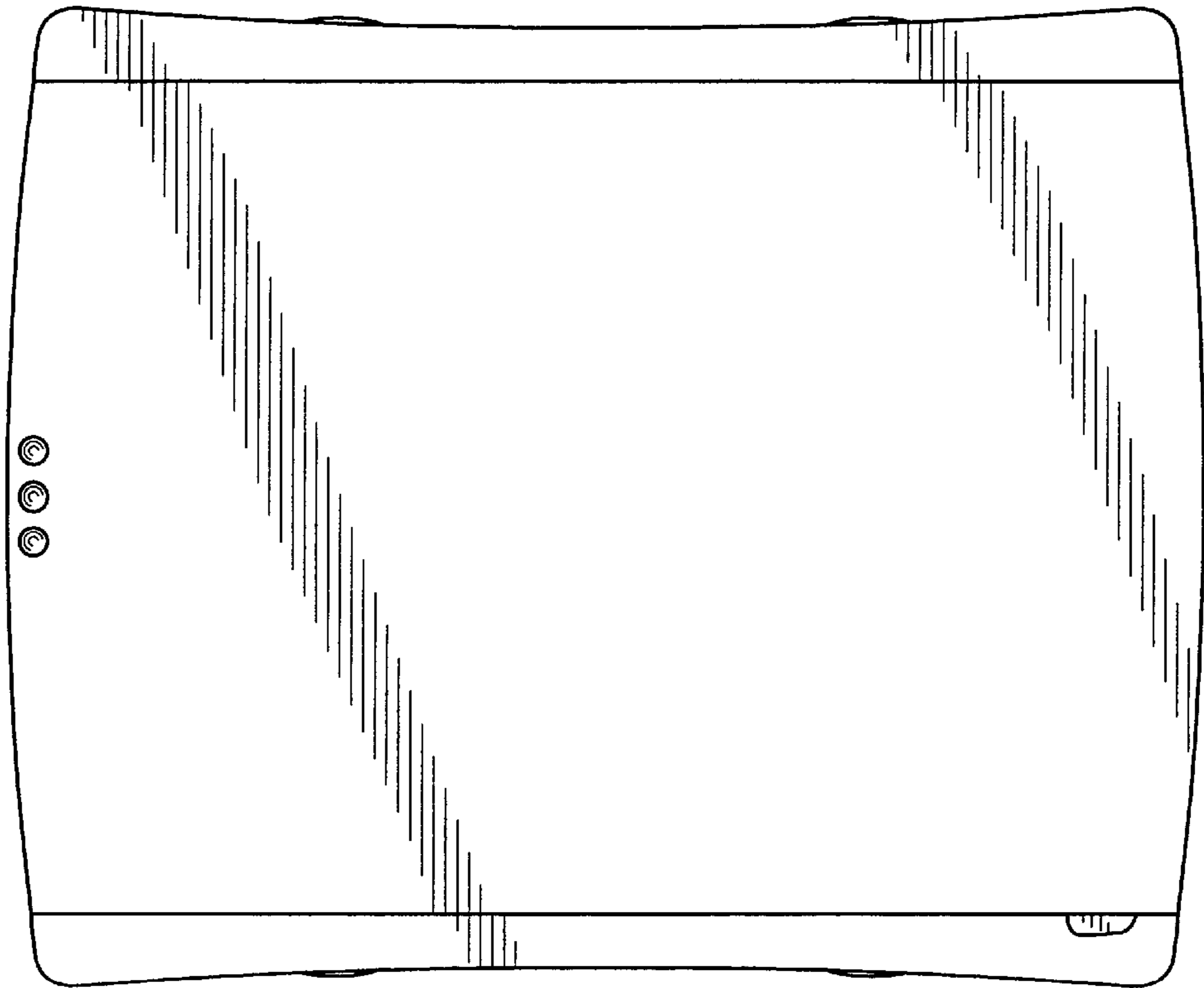


Fig. 2

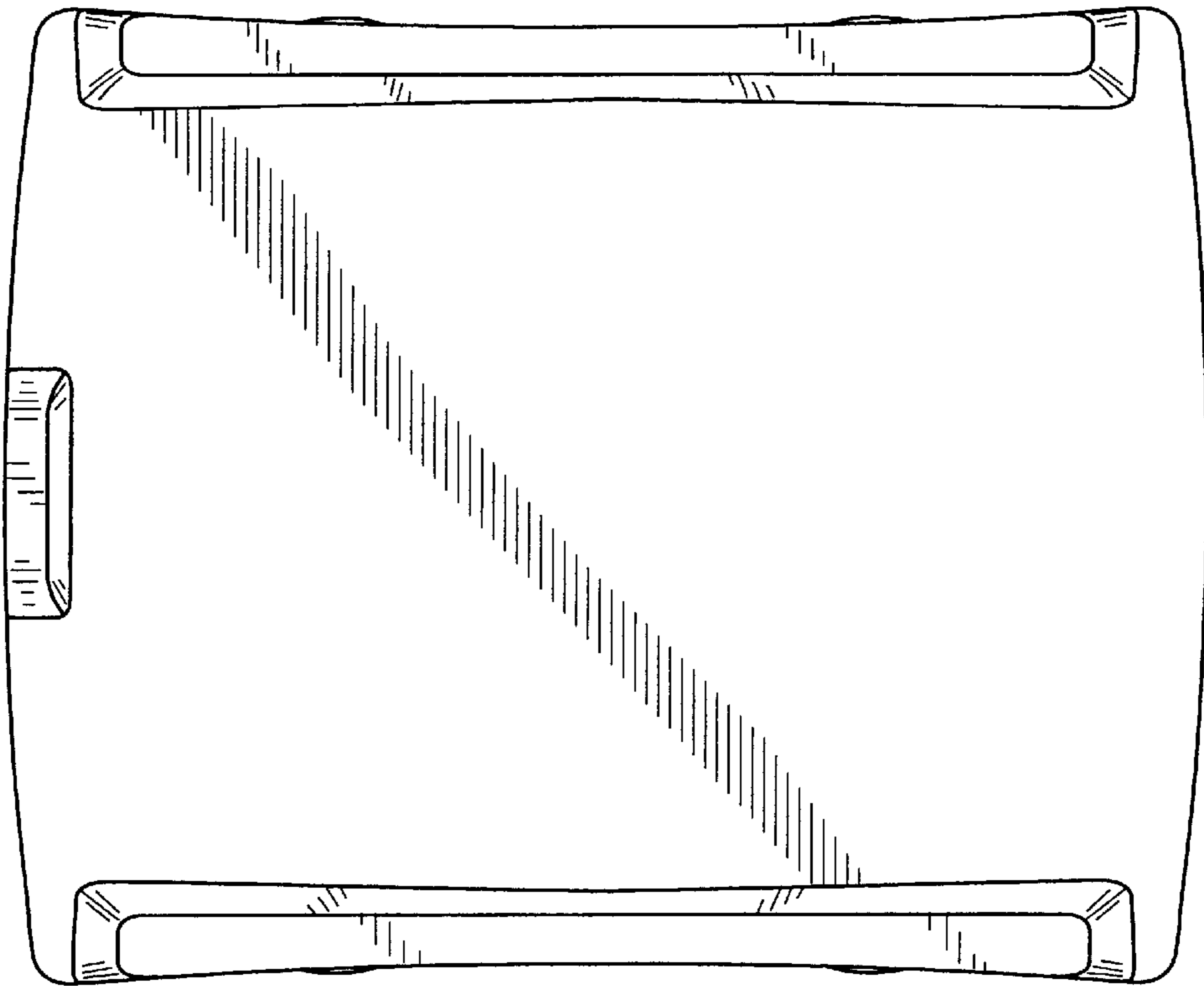


Fig. 3

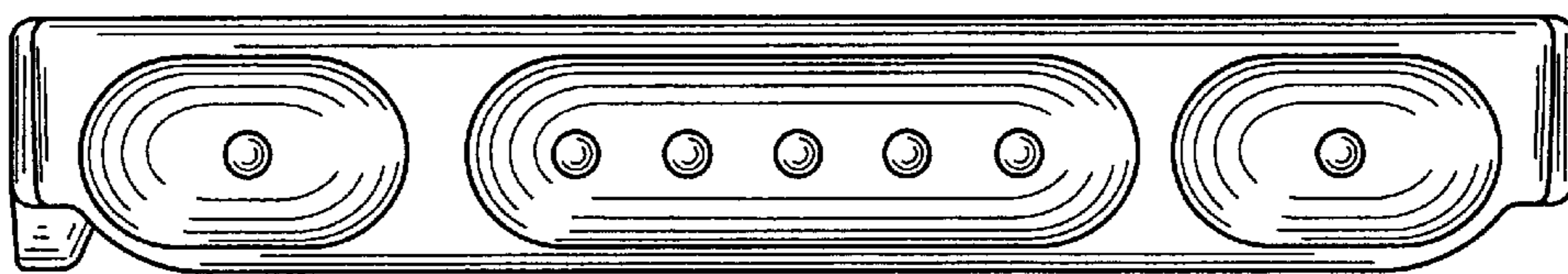


Fig. 4

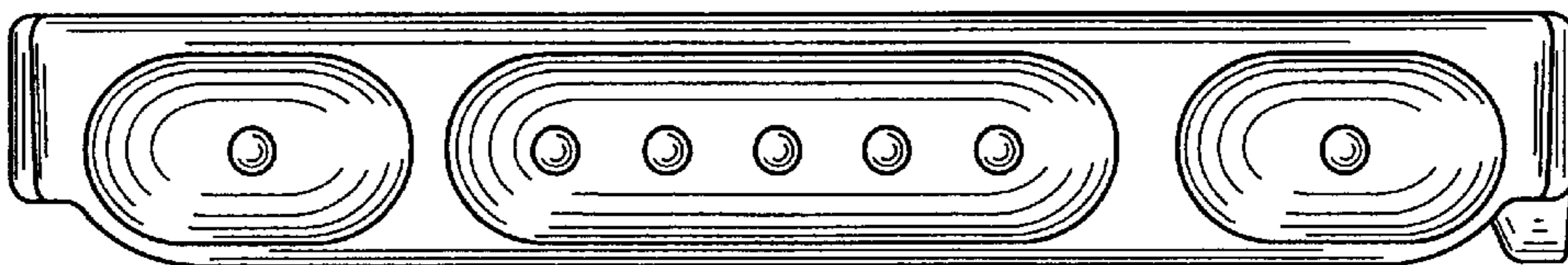


Fig. 5

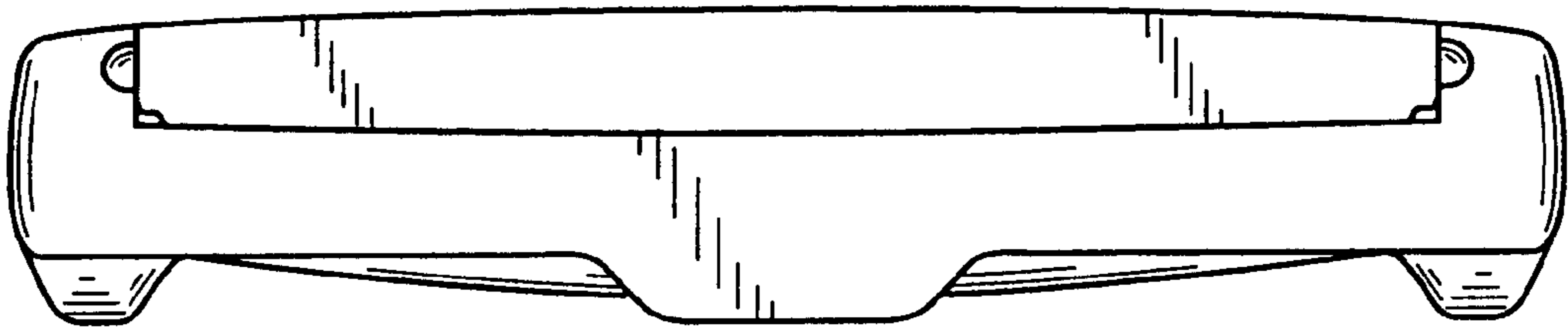


Fig. 6

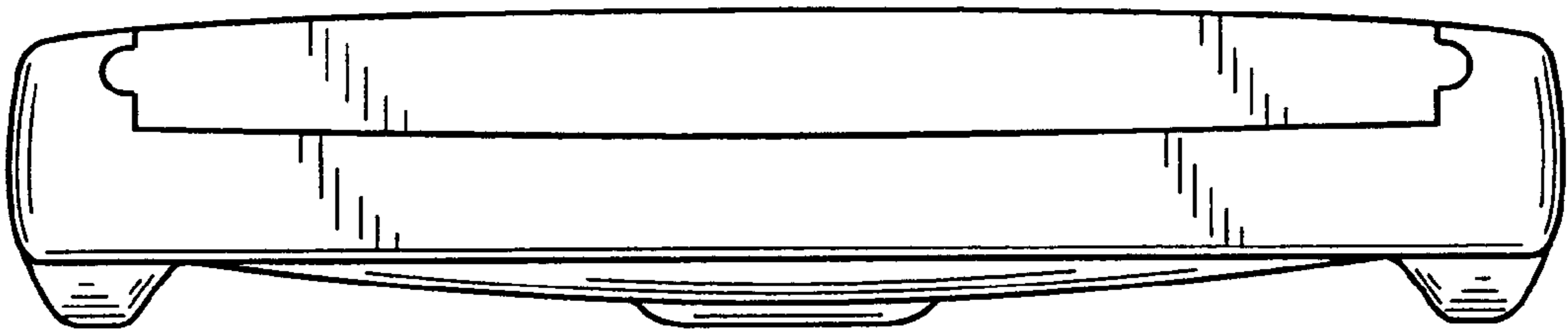


Fig. 7