



US00D488185S

(12) **United States Design Patent**
Yarrington

(10) **Patent No.:** **US D488,185 S**

(45) **Date of Patent:** **** Apr. 6, 2004**

(54) **RIBBON CARTRIDGE**

FOREIGN PATENT DOCUMENTS

(75) Inventor: **James C. Yarrington**, Grand Prairie,
TX (US)

GB 2037151 * 8/1993

* cited by examiner

(73) Assignee: **BancTec, Inc.**, Irving, TX (US)

Primary Examiner—Caron D. Veynar

(**) Term: **14 Years**

(74) *Attorney, Agent, or Firm*—Locke Liddell & Sapp LLP

(21) Appl. No.: **29/182,720**

(57) **CLAIM**

(22) Filed: **Jun. 2, 2003**

The ornamental design for a ribbon cartridge, as shown and described.

(51) **LOC (7) Cl.** **18-01**

DESCRIPTION

(52) **U.S. Cl.** **D18/12**

(58) **Field of Search** D18/12, 56; D14/474-484;
347/214; 400/207-208.1, 708

FIG. 1 is a top perspective view of my new ribbon cartridge;
FIG. 2 is a top plan view thereof, the bottom plan view being
a mirror image view thereof;

FIG. 3 is a left side elevational view thereof;

FIG. 4 is a right side elevational view thereof;

FIG. 5 is a front elevational view thereof; and,

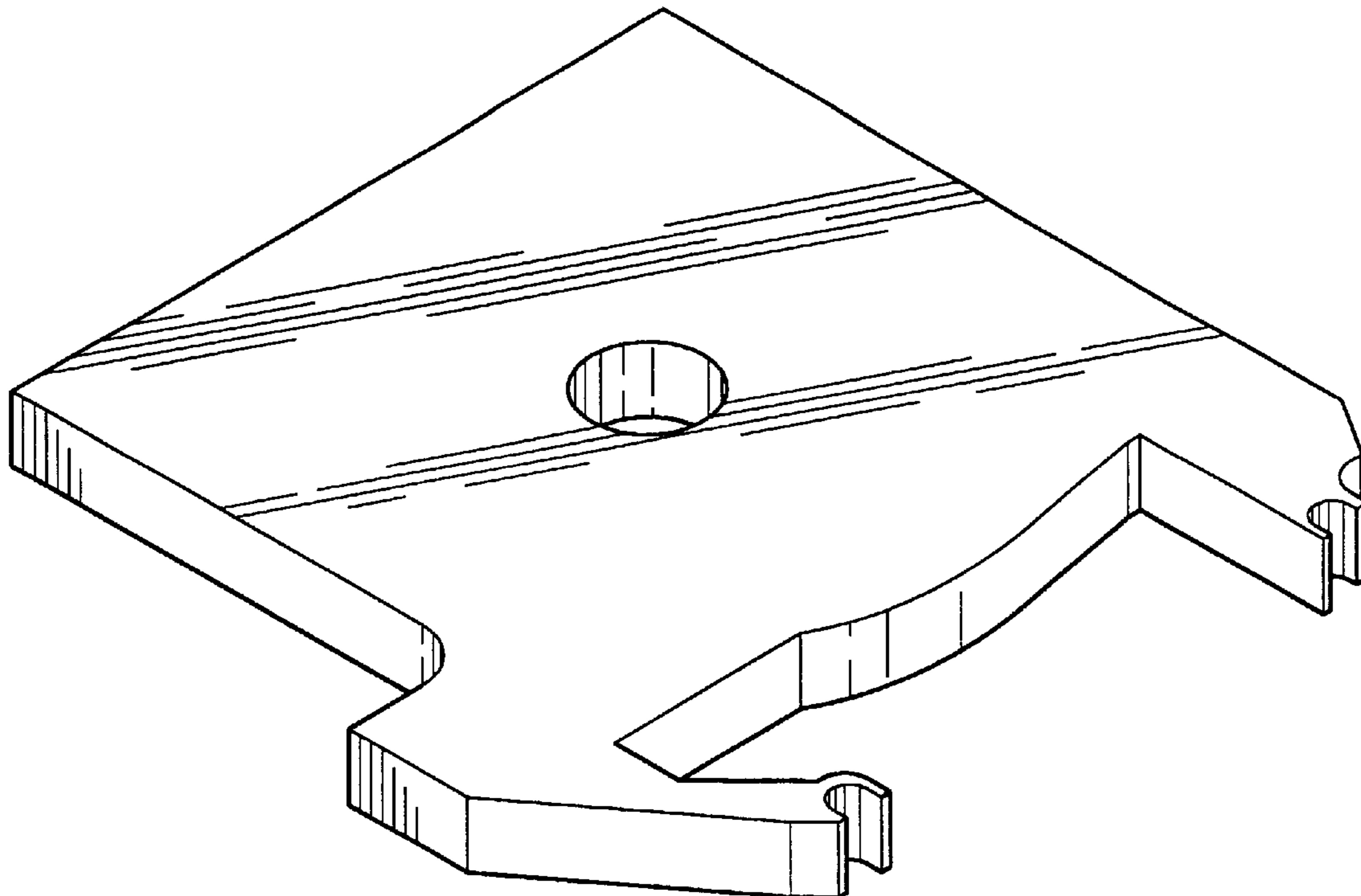
FIG. 6 is a rear elevational view thereof.

(56) **References Cited**

U.S. PATENT DOCUMENTS

D259,884 S	7/1981	Havey et al.	
D357,497 S	* 4/1995	Gray et al. D18/12
5,456,545 A	* 10/1995	Sims et al. 400/708
5,813,773 A	* 9/1998	Kawai 400/207

1 Claim, 2 Drawing Sheets



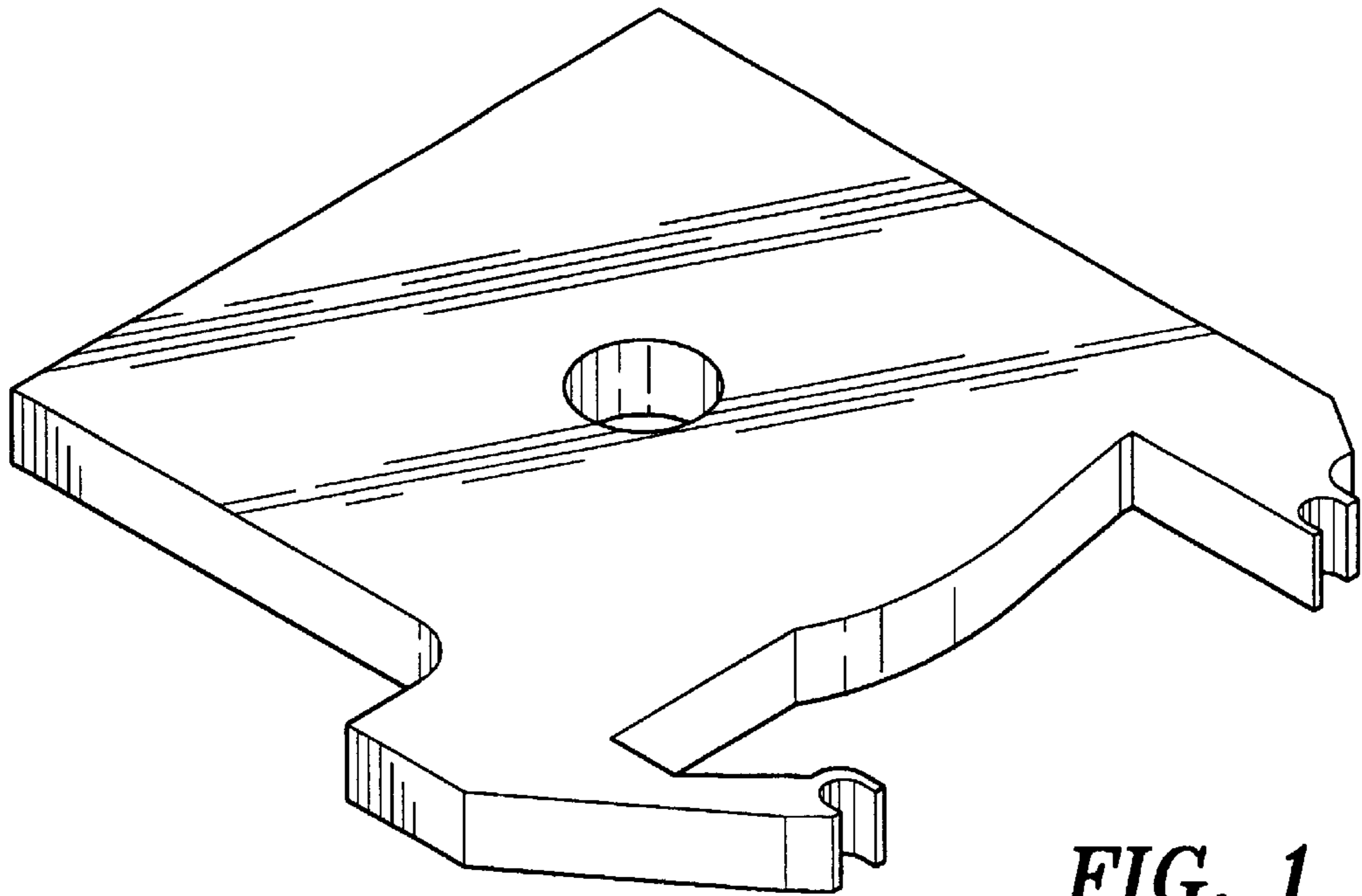


FIG. 1

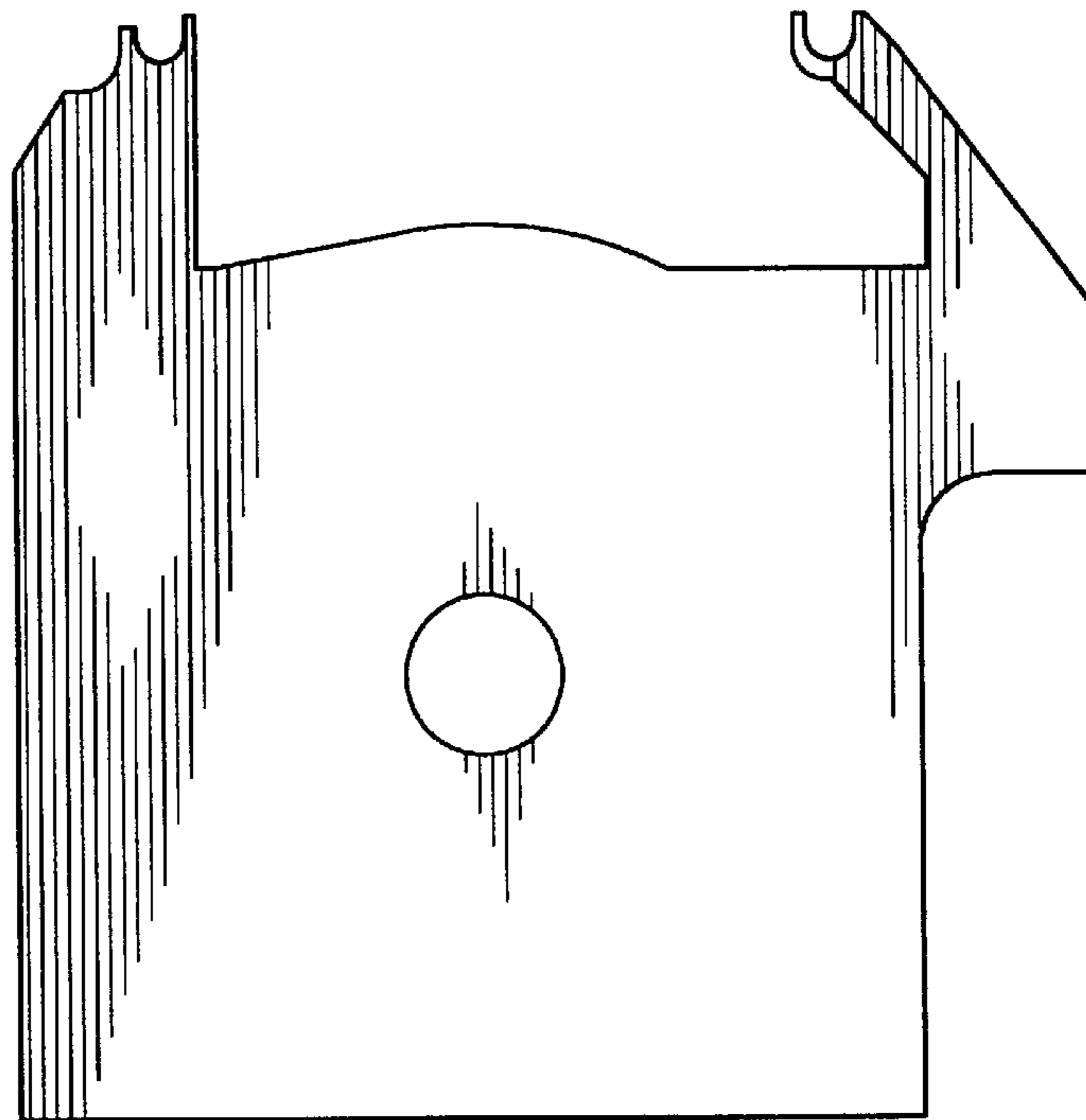


FIG. 2

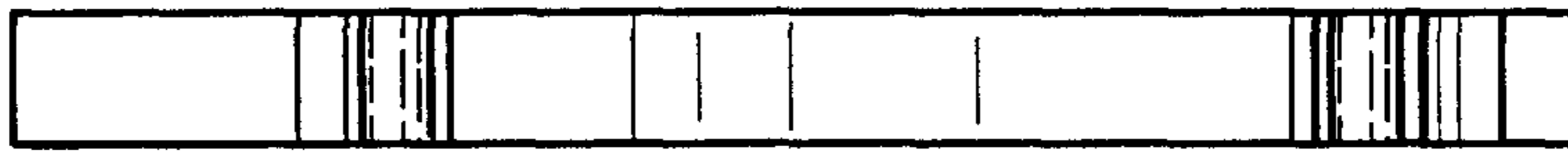


FIG. 5



FIG. 3



FIG. 4



FIG. 6