



US00D488184S

(12) **United States Design Patent**
Ohno

(10) **Patent No.:** **US D488,184 S**

(45) **Date of Patent:** **** Apr. 6, 2004**

(54) **PIANO**

(75) Inventor: **Masaharu Ohno**, Shizuoka (JP)

(73) Assignee: **Yamaha Corporation**, Shizuoka (JP)

(**) Term: **14 Years**

(21) Appl. No.: **29/182,439**

(22) Filed: **May 28, 2003**

(30) **Foreign Application Priority Data**

Nov. 28, 2002 (JP) 2002-032908

(51) **LOC (7) Cl.** **17-01**

(52) **U.S. Cl.** **D17/7**

(58) **Field of Search** D17/1-2, 7, 9,
D17/99; 84/107, 171, 174, 172, 177, 13,
423 R, 719, 744, 622, DIG. 7; D21/409

(56) **References Cited**

U.S. PATENT DOCUMENTS

509,232 A * 11/1893 Mann et al. 84/172
D48,722 S * 3/1916 Kavanagh et al. D17/7
D48,727 S * 3/1916 Kavanagh et al. D17/7
D49,074 S * 5/1916 Osthagen D17/7

D50,075 S * 12/1916 Pfannstiehl D17/7

D70,427 S * 6/1926 Hurst D17/7

D160,106 S * 9/1950 Millington et al. D17/7

4,843,936 A * 7/1989 Murakami et al. 84/107

D318,285 S * 7/1991 Dong D17/7

* cited by examiner

Primary Examiner—Ruth McInroy

(74) *Attorney, Agent, or Firm*—Sughrue Mion, PLLC

(57) **CLAIM**

The ornamental design for a piano, as shown and described.

DESCRIPTION

FIG. 1 is a perspective view of a top, front and right side of a piano showing my new design;

FIG. 2 is a top plan view thereof;

FIG. 3 is a front elevational view thereof;

FIG. 4 is a right side elevational view, the left side elevational view being a mirror image thereof;

FIG. 5 is a rear elevational view thereof;

FIG. 6 is a bottom plan view thereof; and,

FIG. 7 is a front elevational view thereof with the key cover in the closed position.

1 Claim, 4 Drawing Sheets

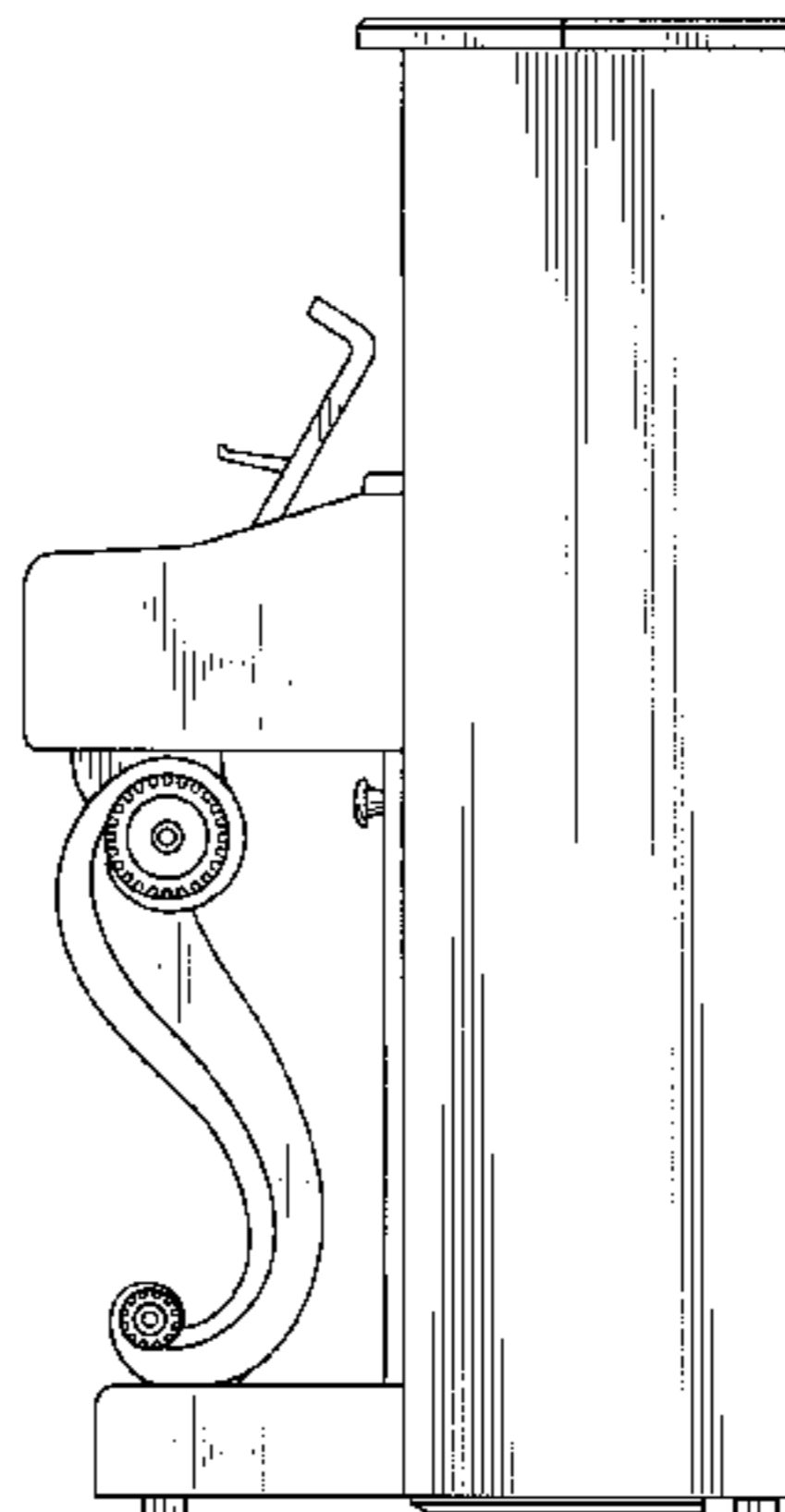
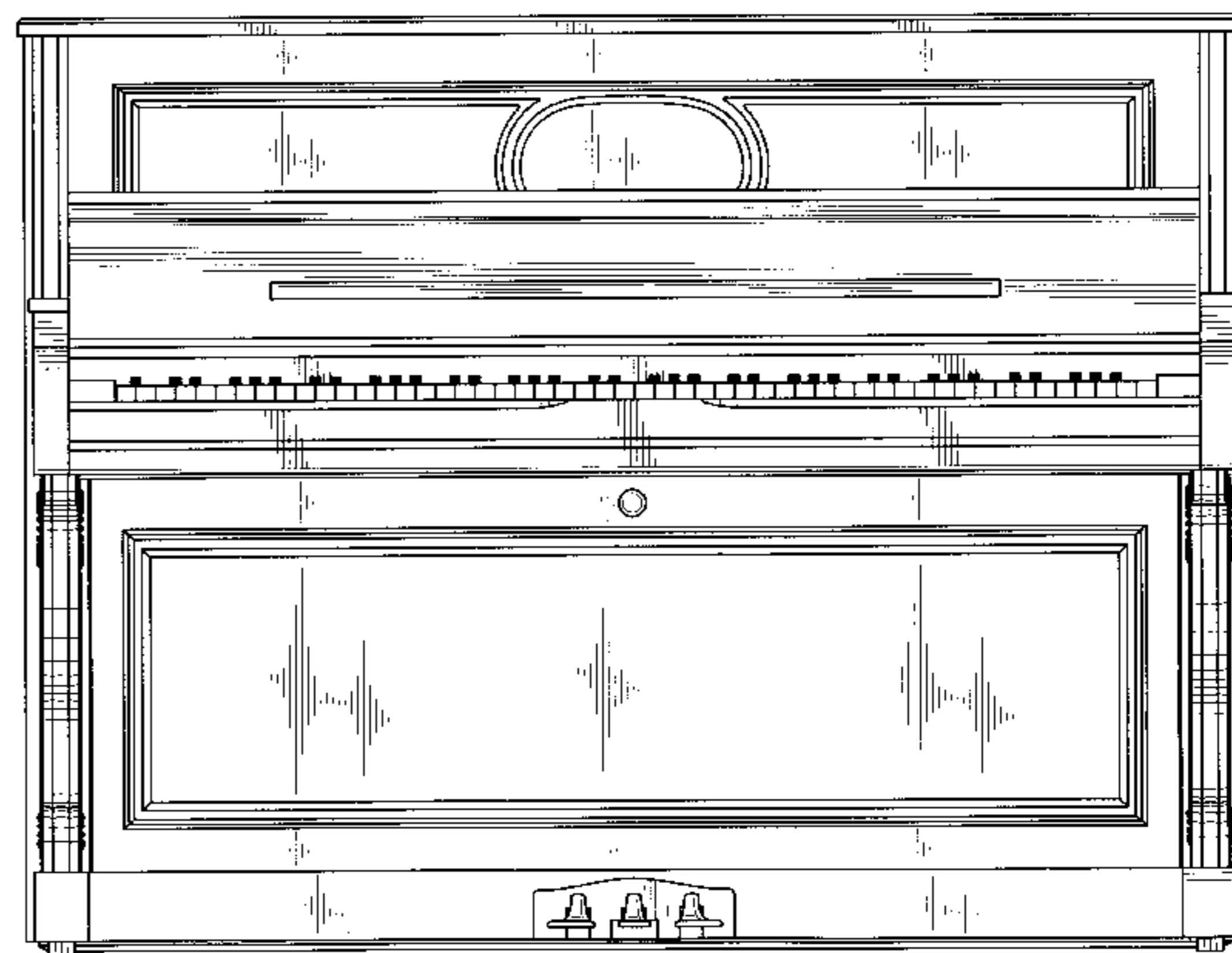
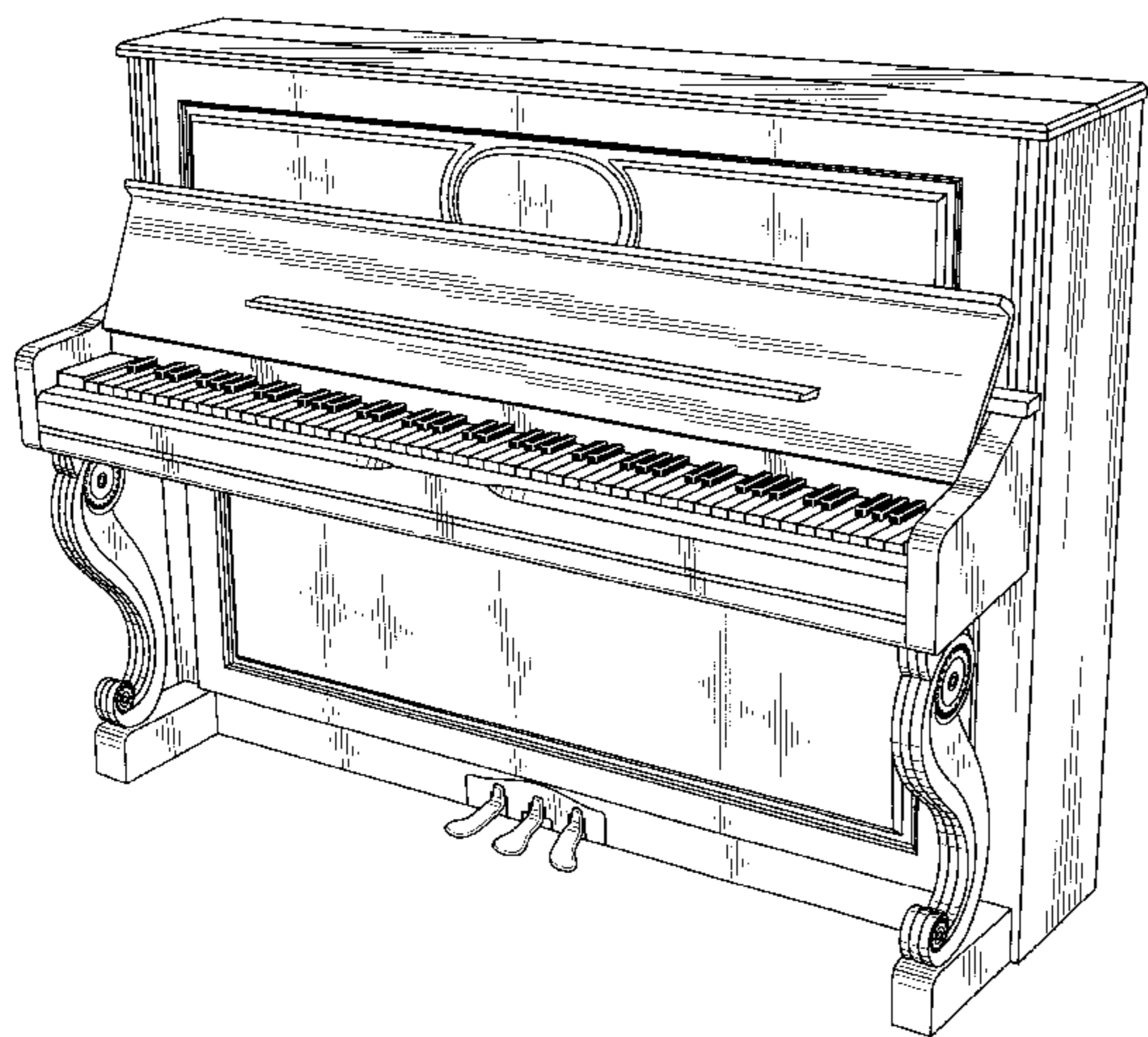


FIG. 1

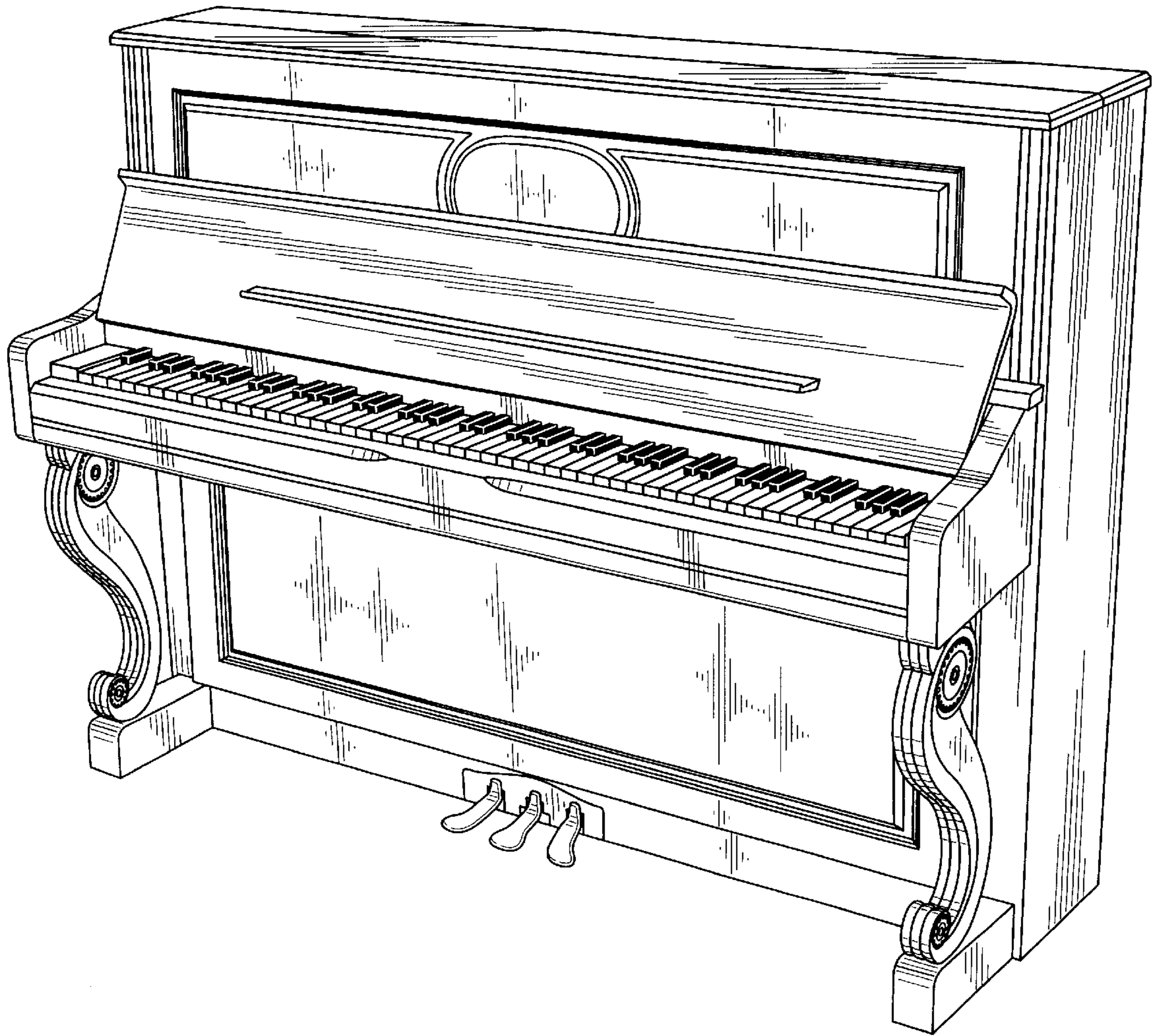


FIG. 2

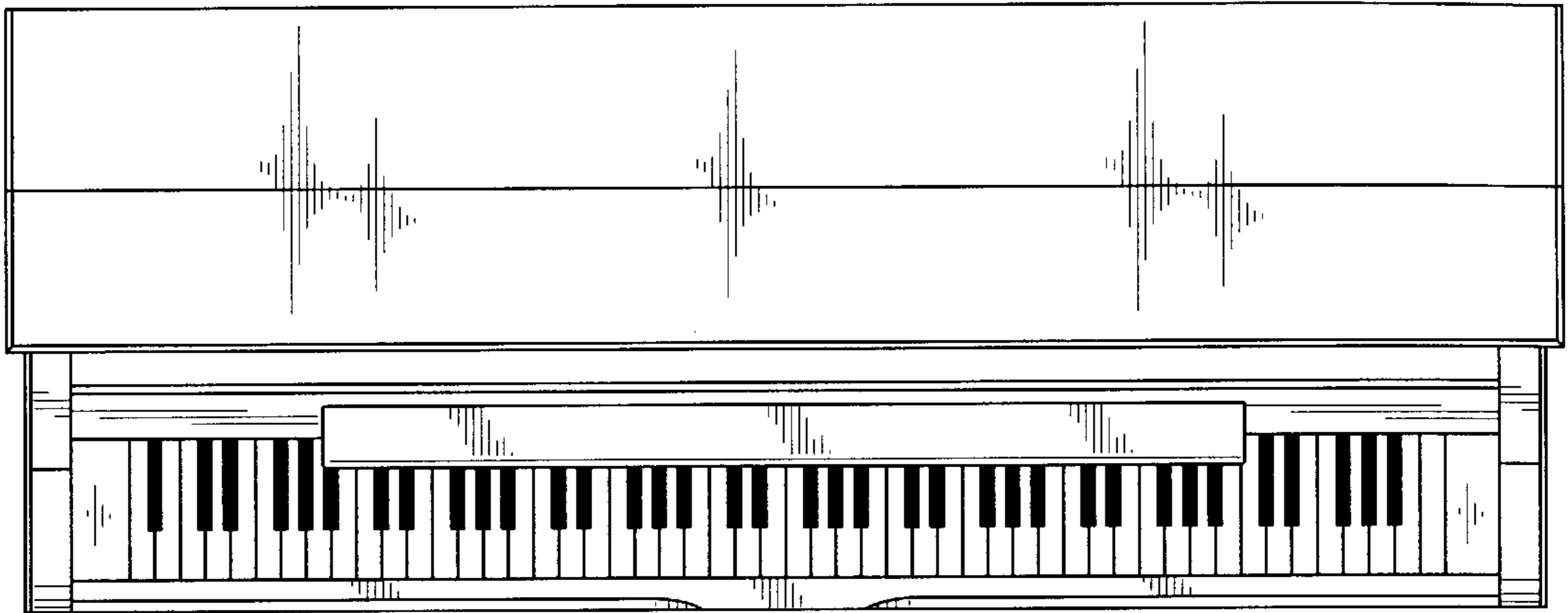


FIG. 3

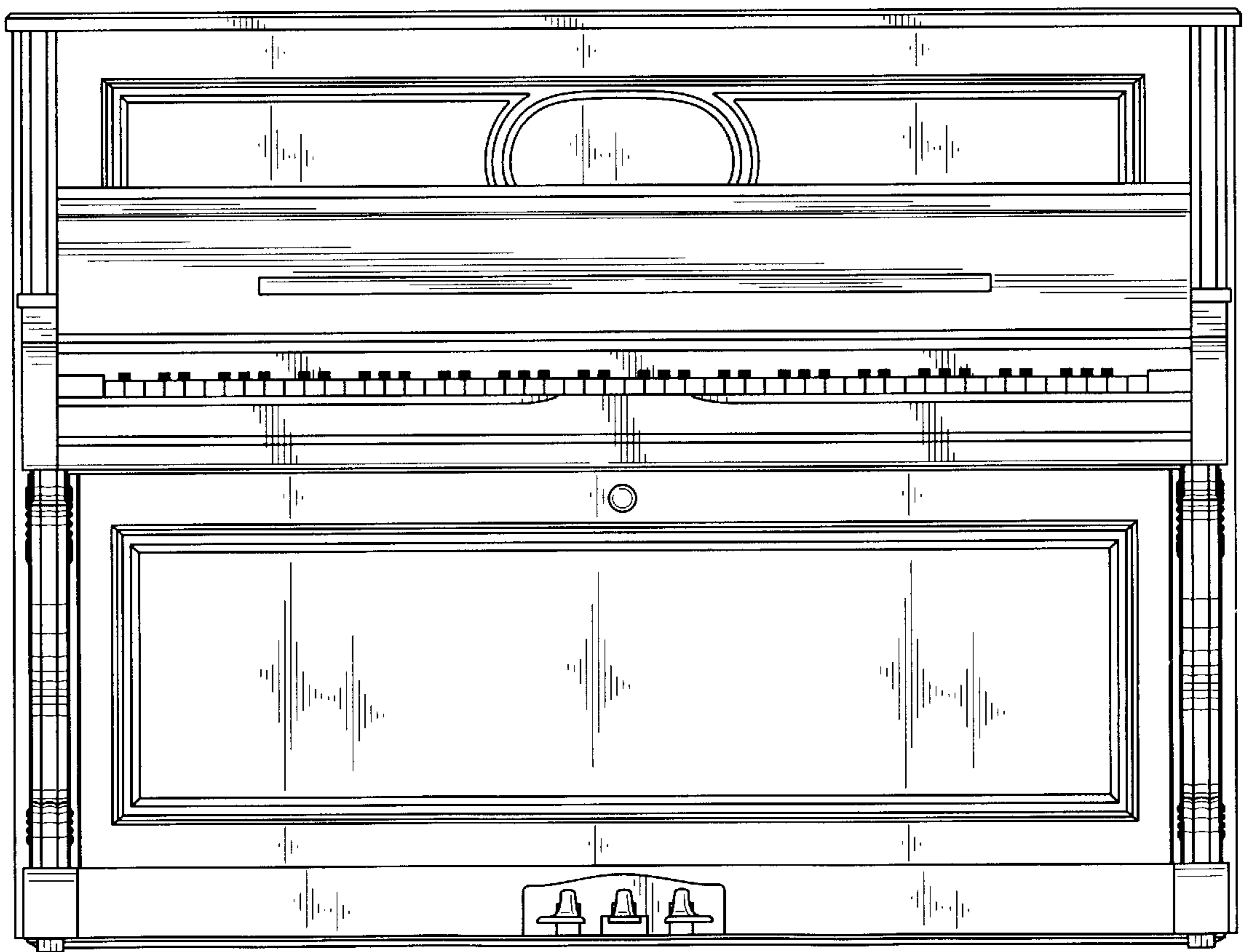


FIG. 5

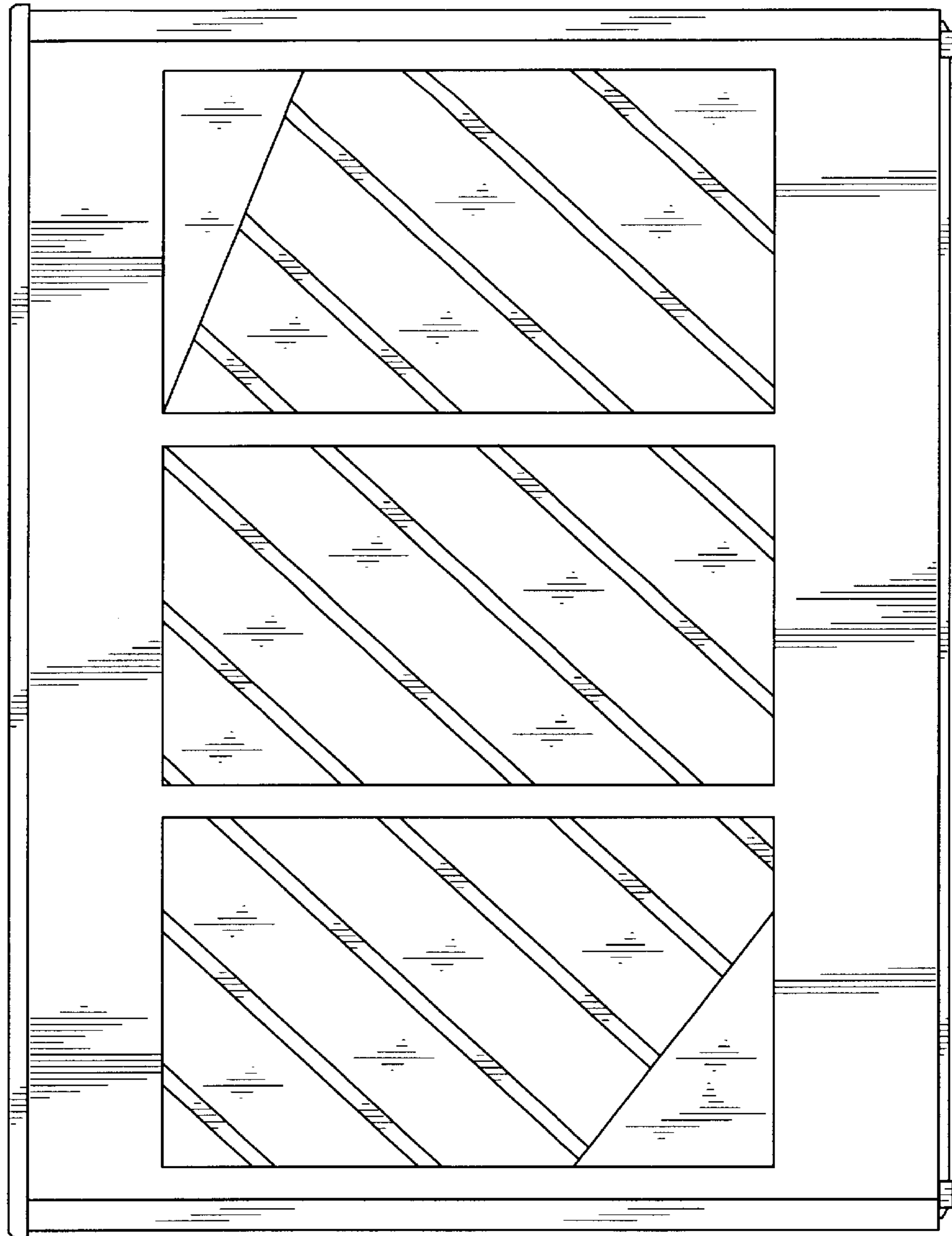


FIG. 4

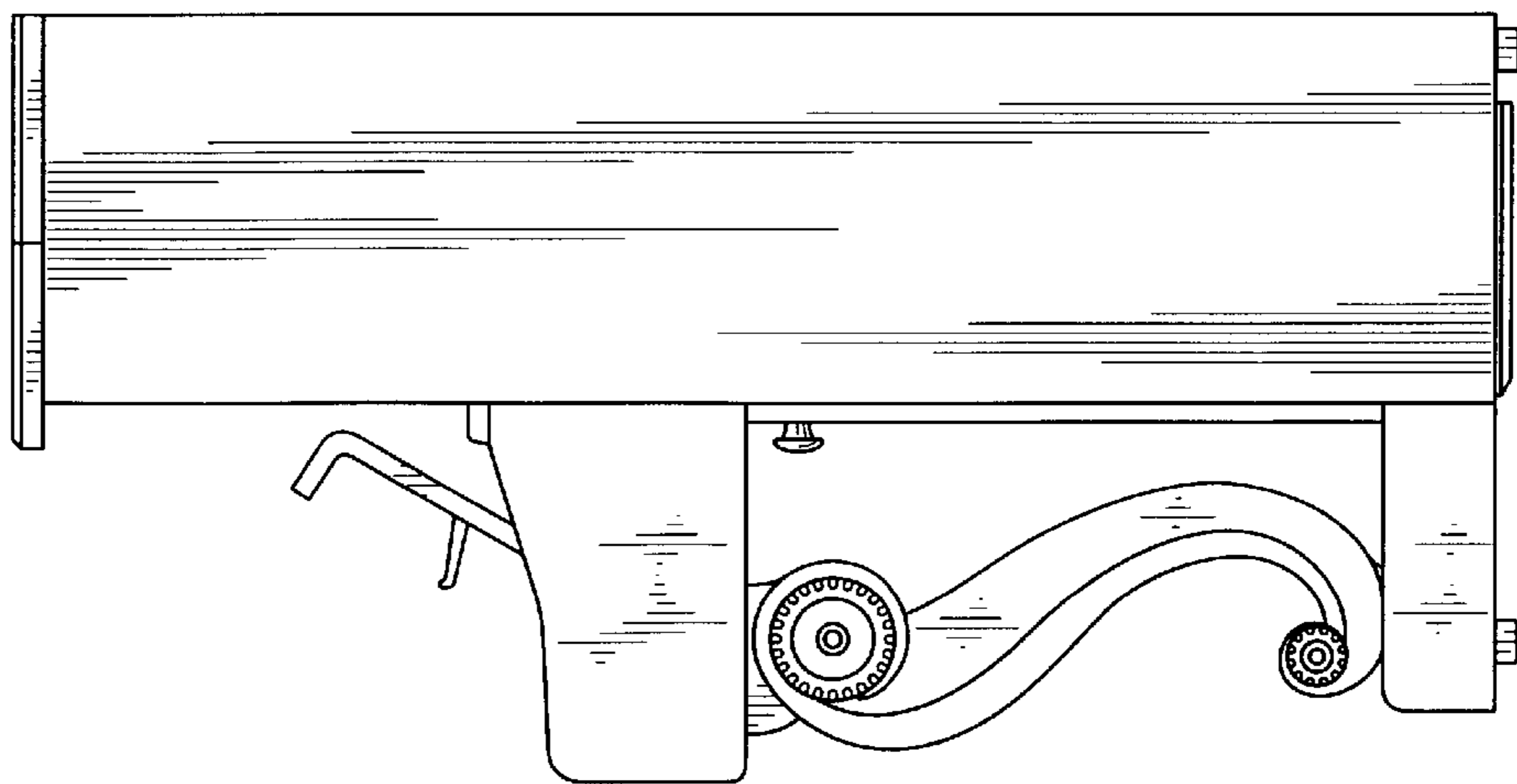


FIG. 6

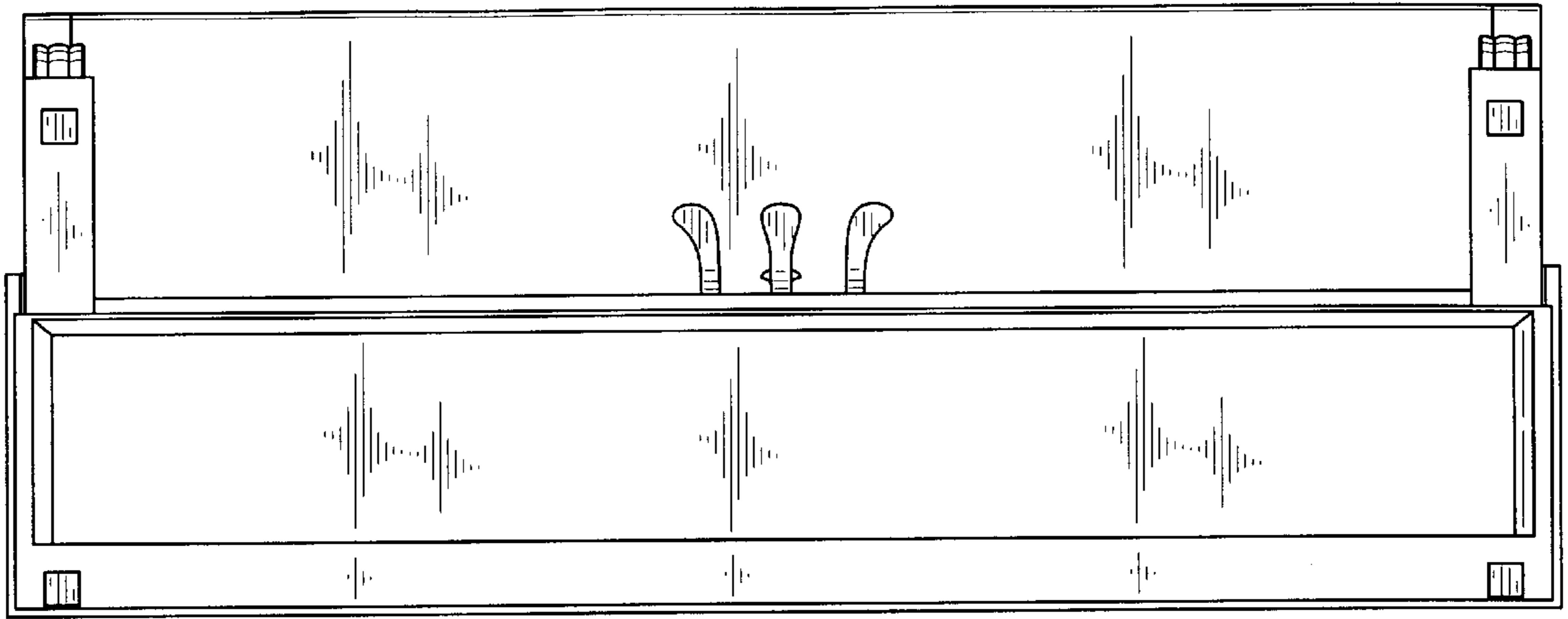


FIG. 7

