



US00D488181S

(12) **United States Design Patent**
Masano et al.

(10) **Patent No.:** **US D488,181 S**

(45) **Date of Patent:** **** Apr. 6, 2004**

(54) **LIGHTING DEVICE FOR A CAMCORDER**

6,422,709 B1 * 7/2002 Panagiotou 362/16

(75) Inventors: **Khoji Masano**, Saijoshi (JP);
Shigetada Ninomiya, Saijoshi (JP)

(73) Assignee: **Matsushita Electric Industrial Co., Ltd.**, Osaka (JP)

(**) Term: **14 Years**

(21) Appl. No.: **29/178,177**

(22) Filed: **Mar. 21, 2003**

(30) **Foreign Application Priority Data**

Jan. 8, 2003 (JP) 2003-000202

(51) **LOC (7) Cl.** **16-05**

(52) **U.S. Cl.** **D16/239**

(58) **Field of Search** D16/237, 239,
D16/240; 362/3, 16-18; 396/155, 176,
177, 180, 182

(56) **References Cited**

U.S. PATENT DOCUMENTS

- 2,986,979 A * 6/1961 Michatek et al. 396/180
- D195,378 S * 6/1963 Monson D16/240
- 4,760,509 A * 7/1988 Panagiotou 362/3
- D433,696 S * 11/2000 Palmieri D16/239

OTHER PUBLICATIONS

- Copy of Catalog by JVC in Aug. 2001.
- Copy of Catalog of <TRV240K> by Sony in Nov. 2002.
- Copy of Catalog of <TRV950> by Sony in Nov. 2002.

* cited by examiner

Primary Examiner—Adir Aronovich

(74) *Attorney, Agent, or Firm*—Brinks Hofer Gilson & Lione

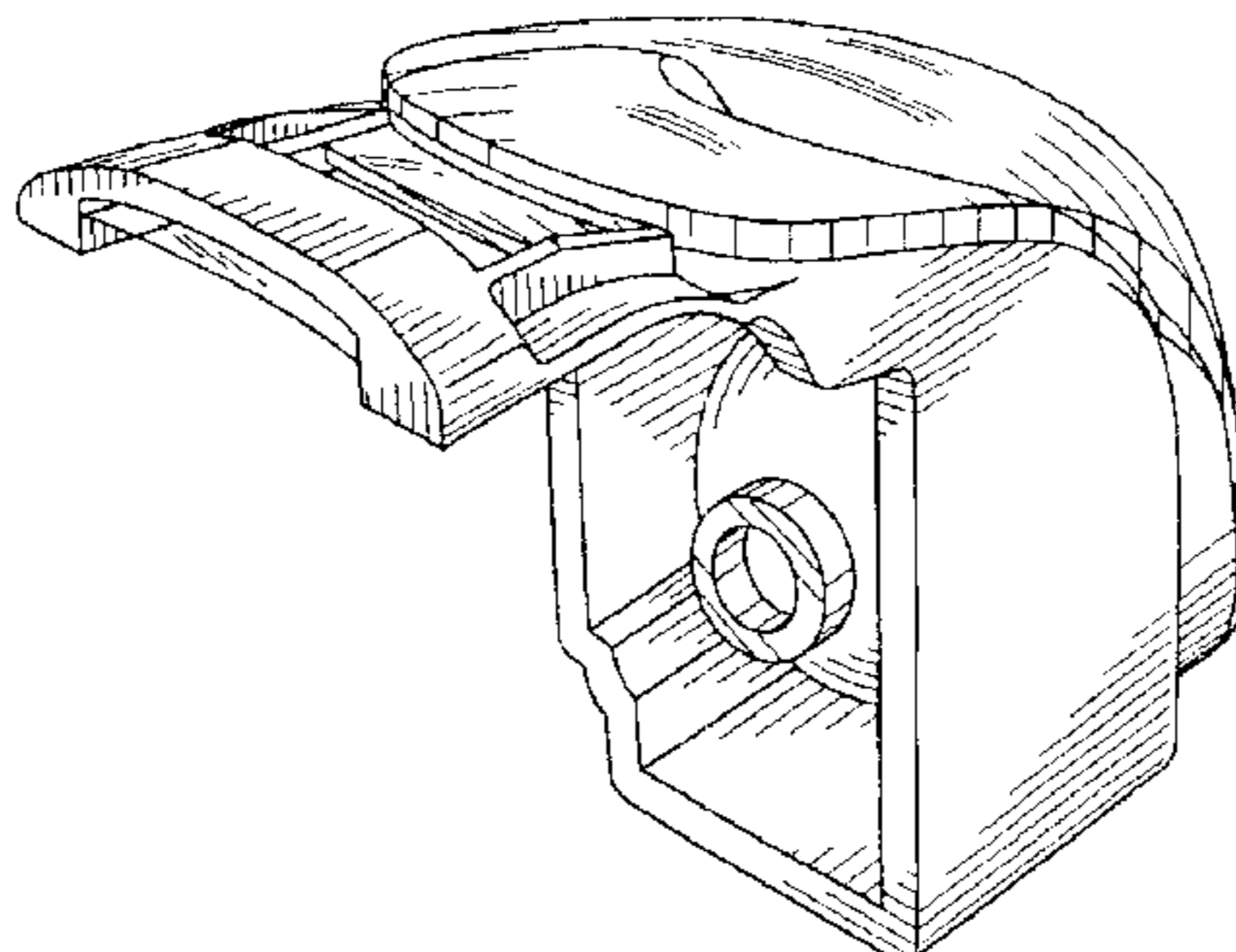
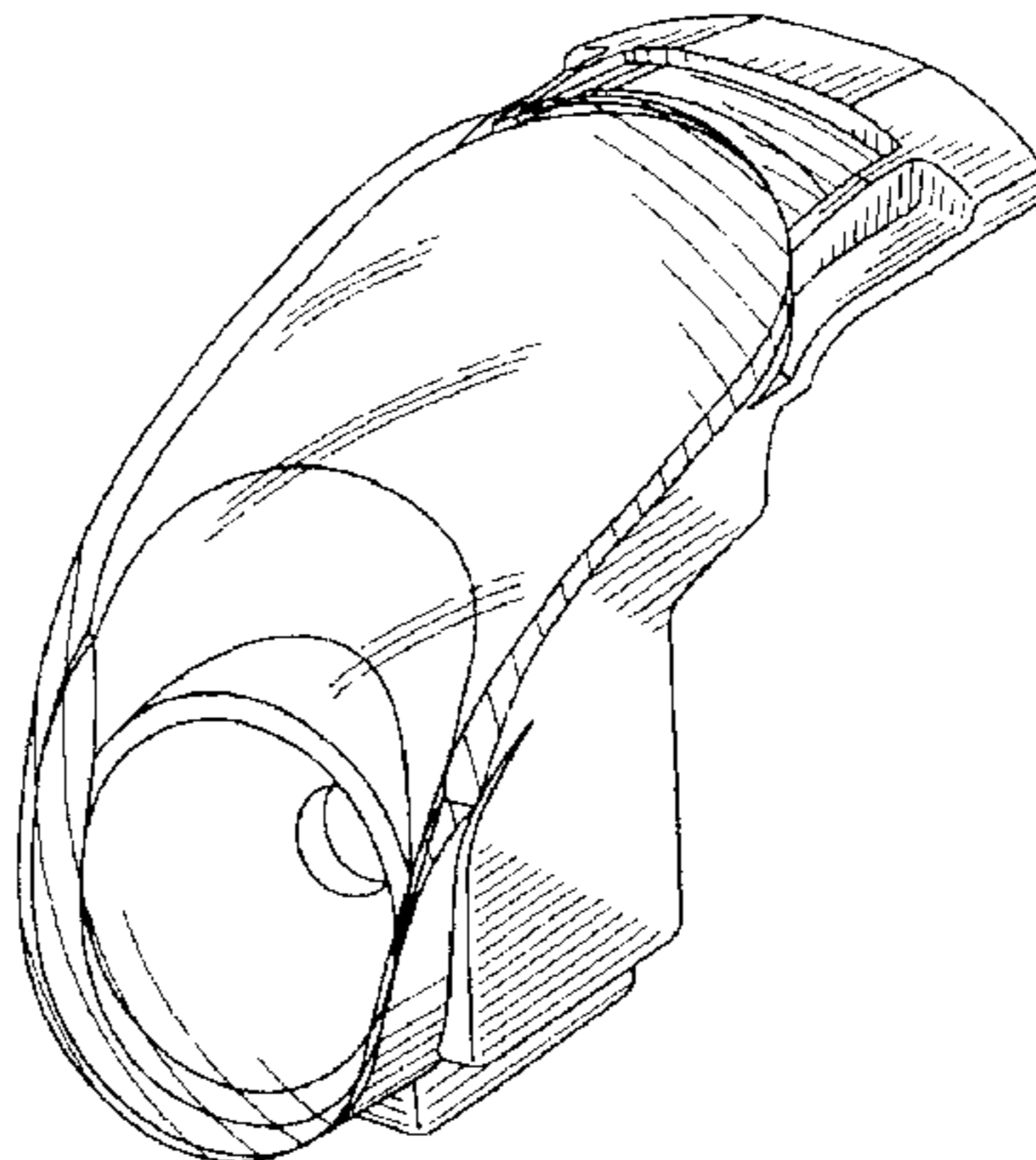
(57) **CLAIM**

The ornamental design for a lighting device for a camcorder, as shown and described.

DESCRIPTION

FIG. 1 is a front perspective view of a lighting device for a camcorder of the present invention;
 FIG. 2 is a rear perspective view thereof;
 FIG. 3 is a top view thereof;
 FIG. 4 is a front view thereof;
 FIG. 5 is a first side view thereof;
 FIG. 6 is a second side view thereof;
 FIG. 7 is a rear view thereof; and,
 FIG. 8 is a bottom view thereof.

1 Claim, 4 Drawing Sheets



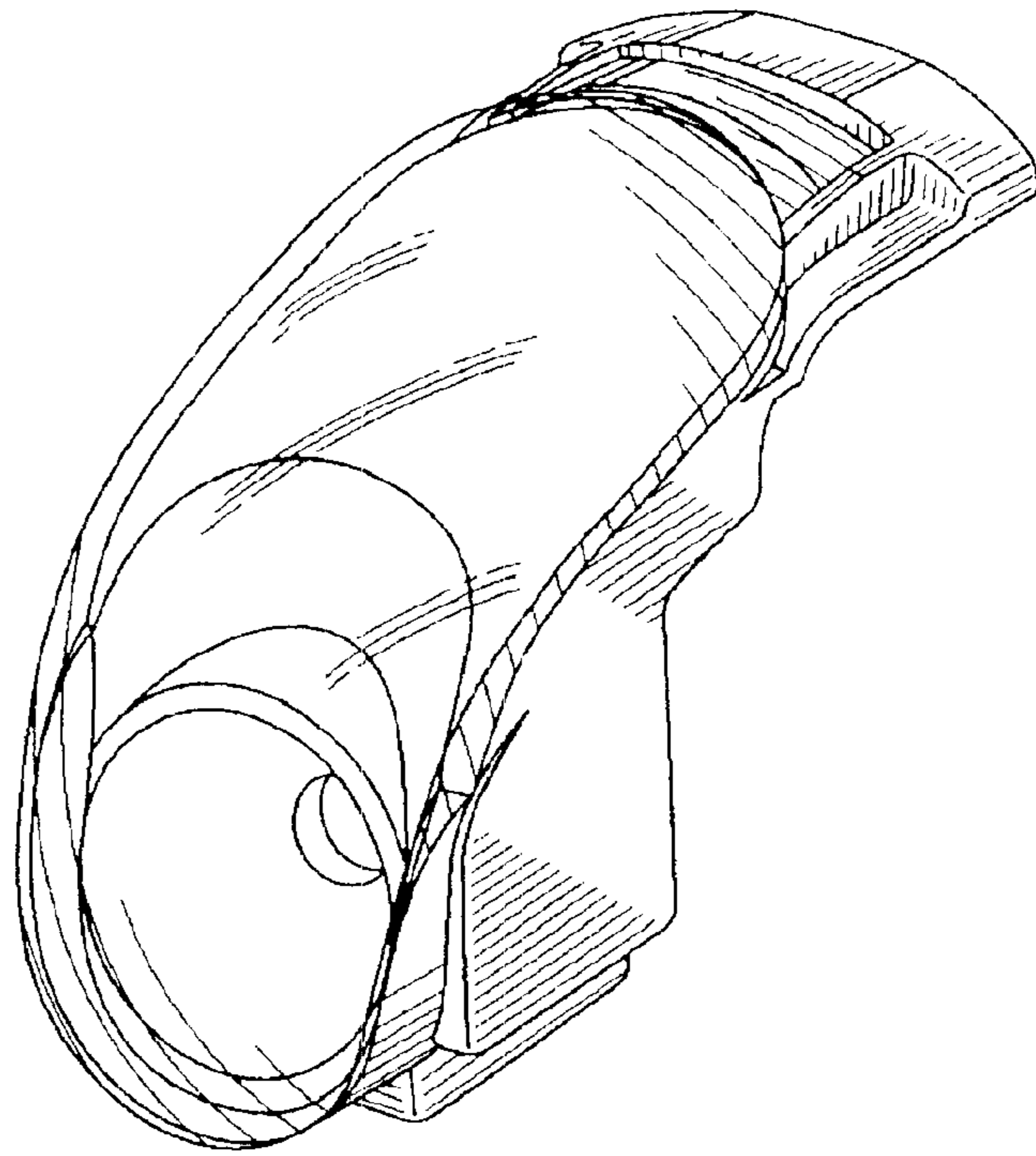


FIG. 1

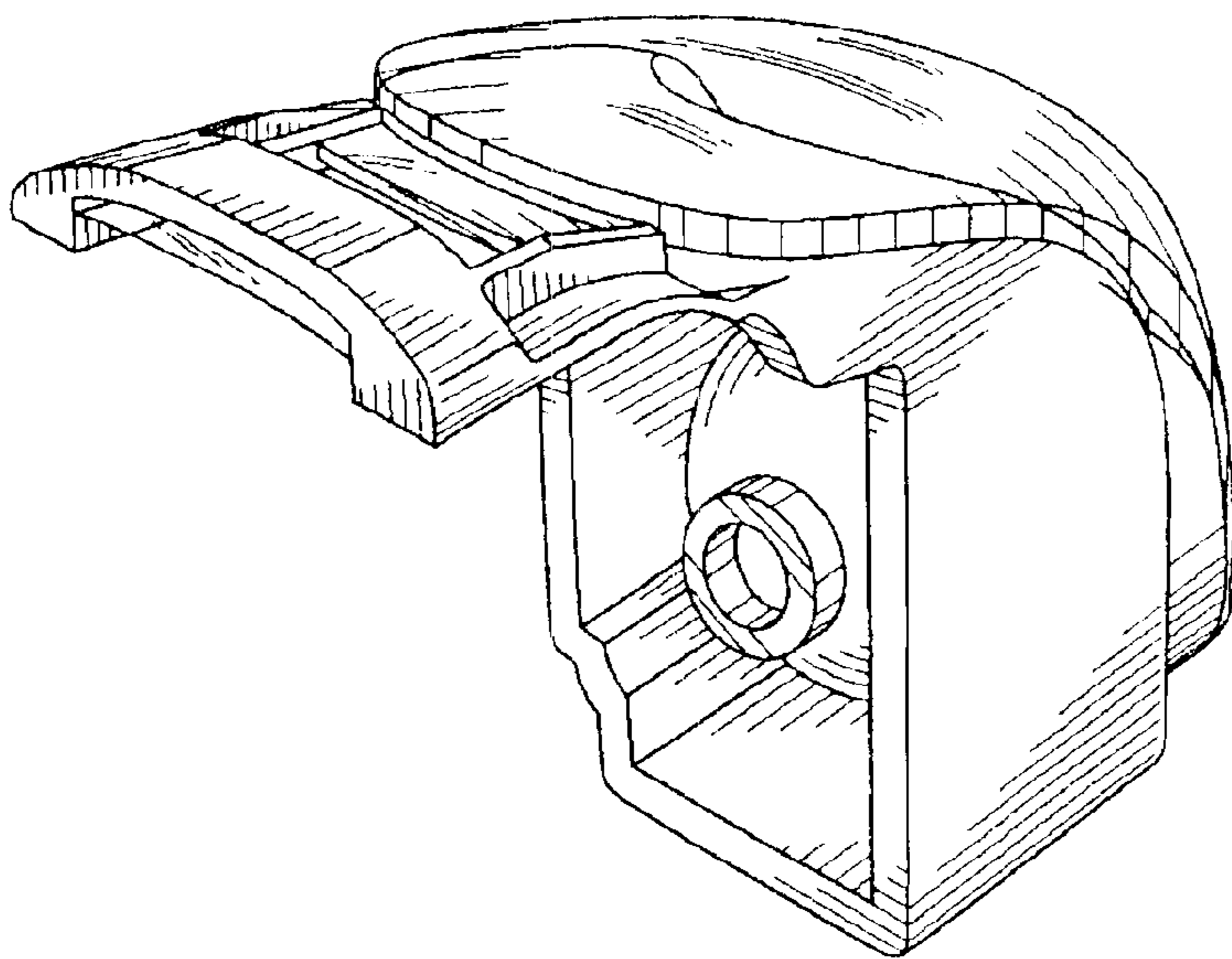


FIG. 2

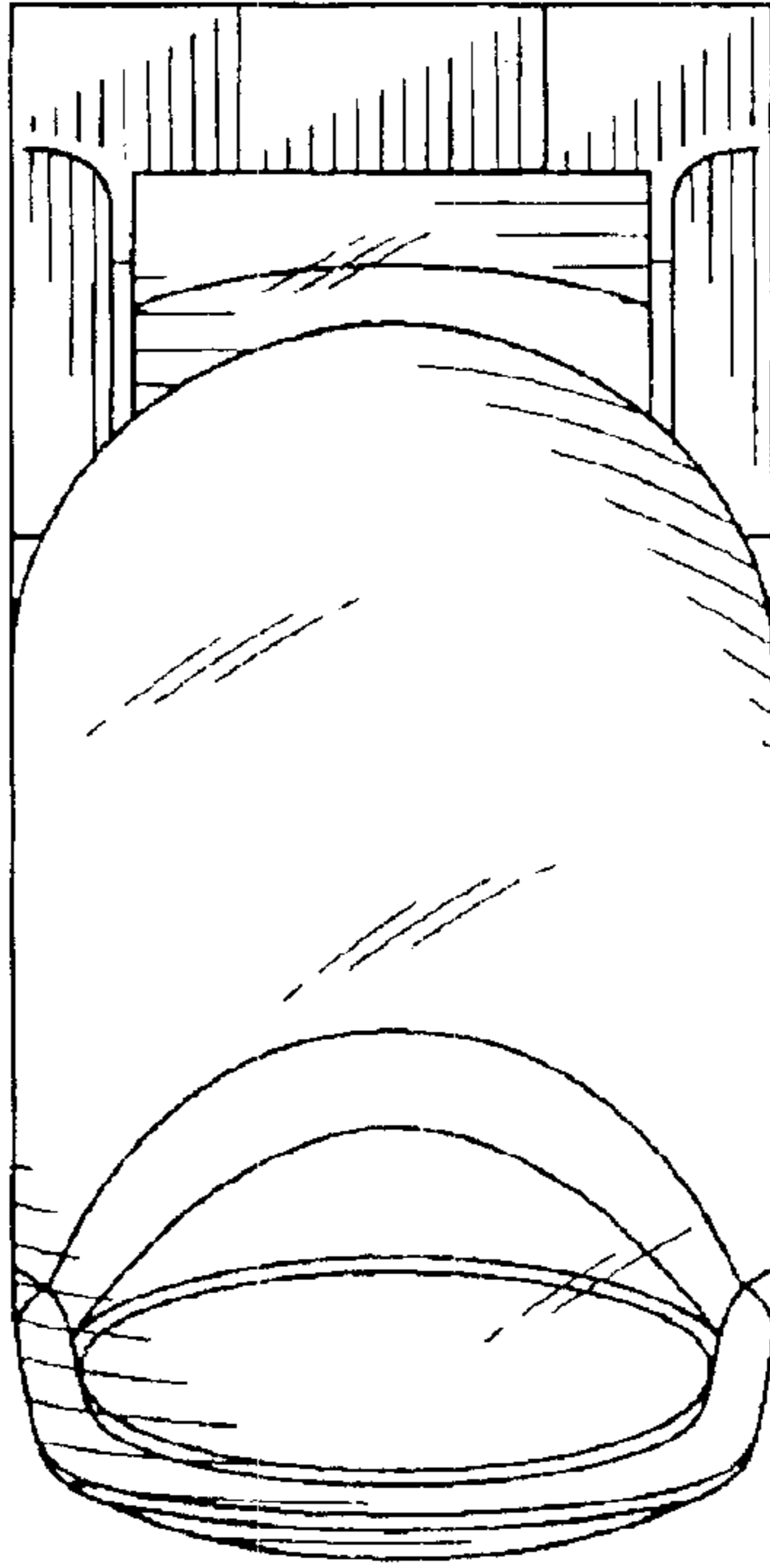


FIG. 3

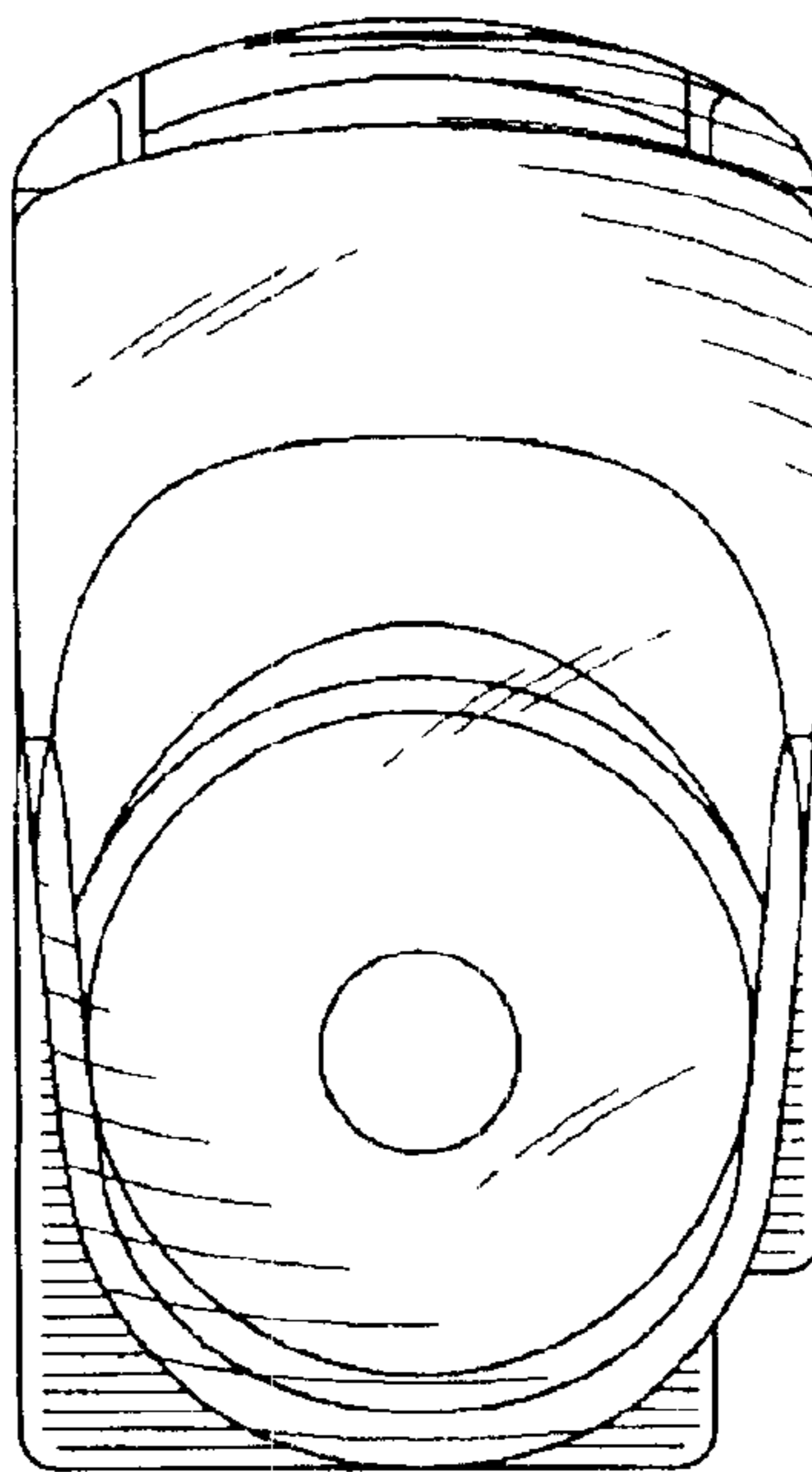


FIG. 4

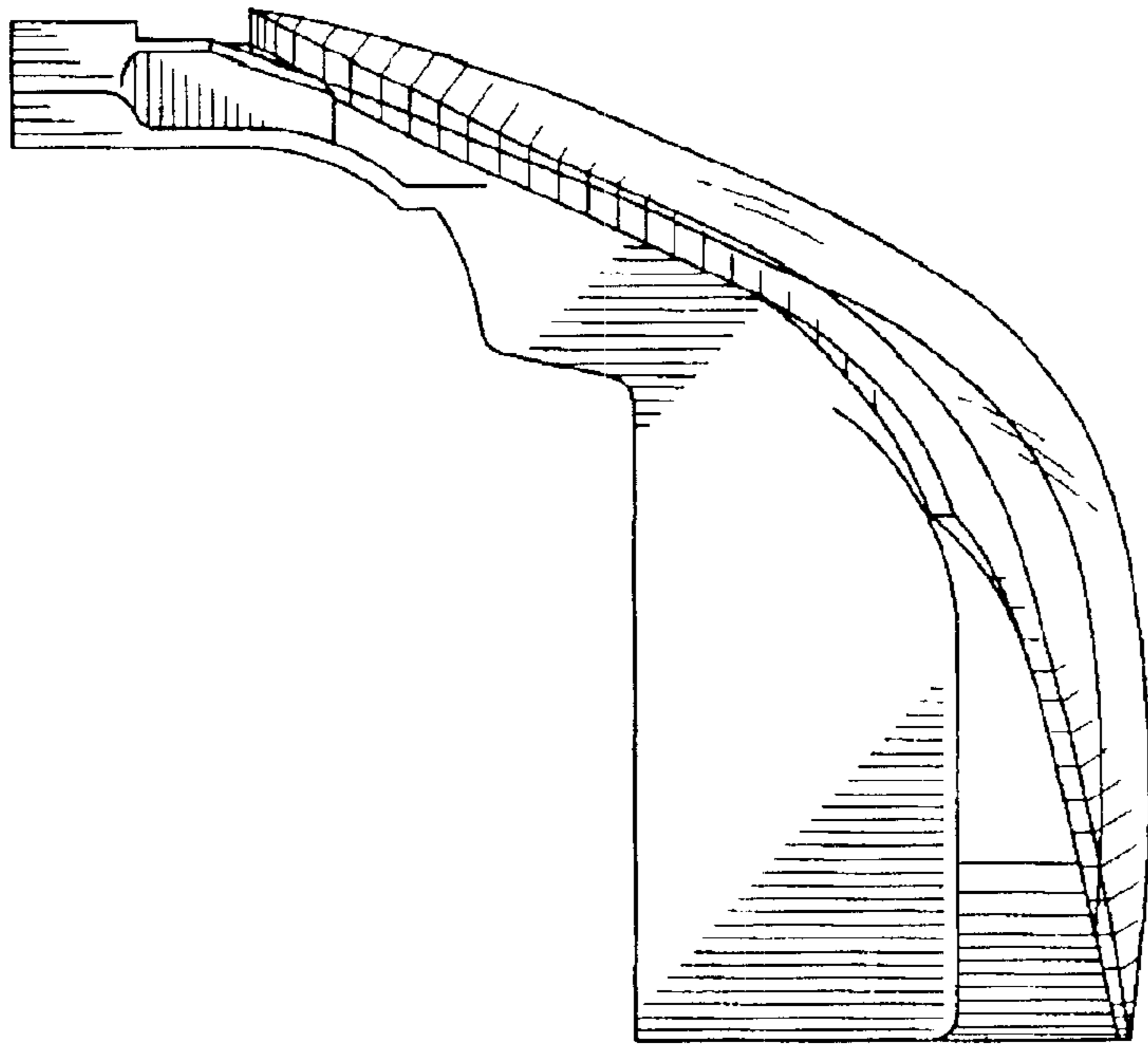


FIG. 5

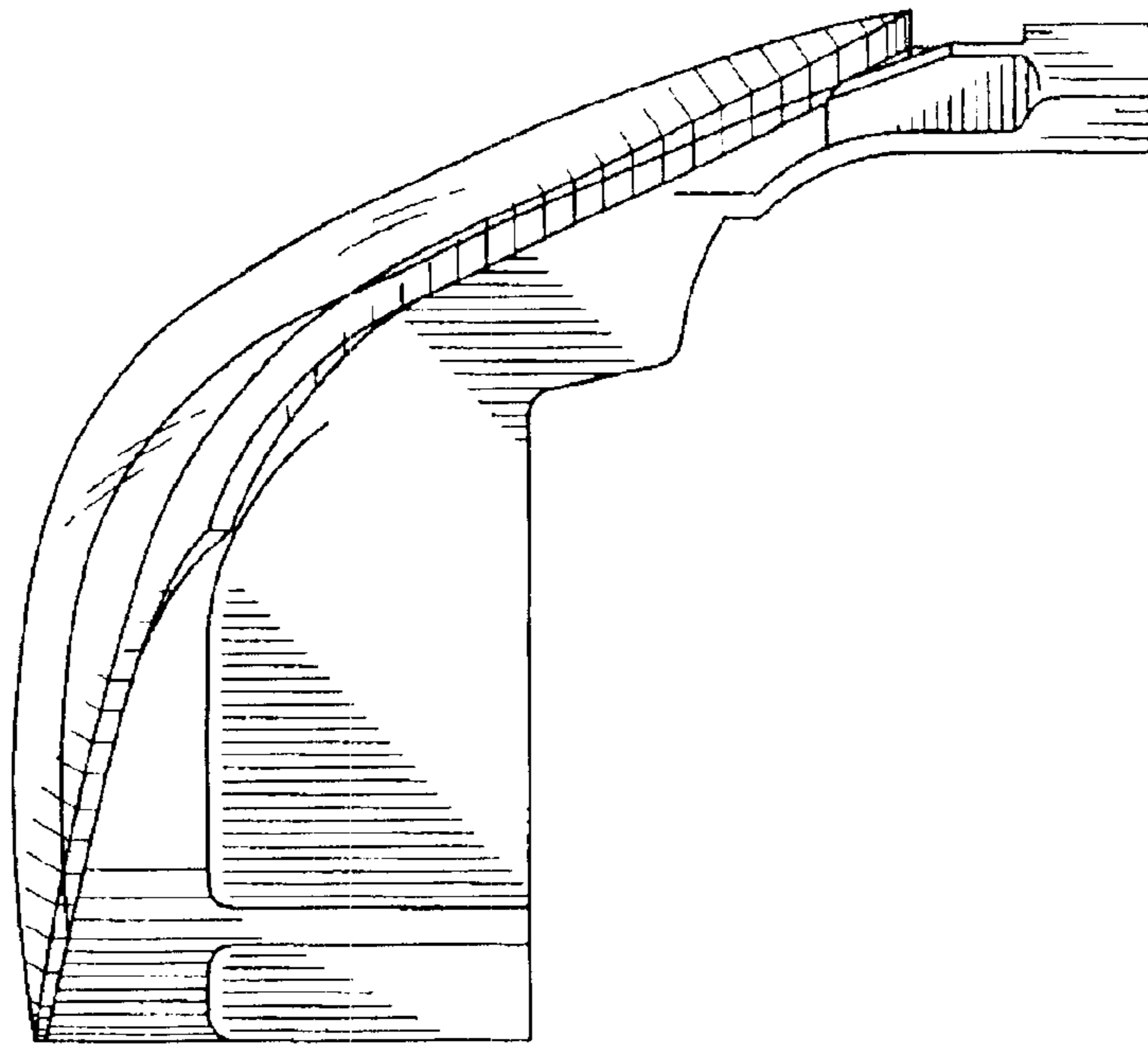


FIG. 6

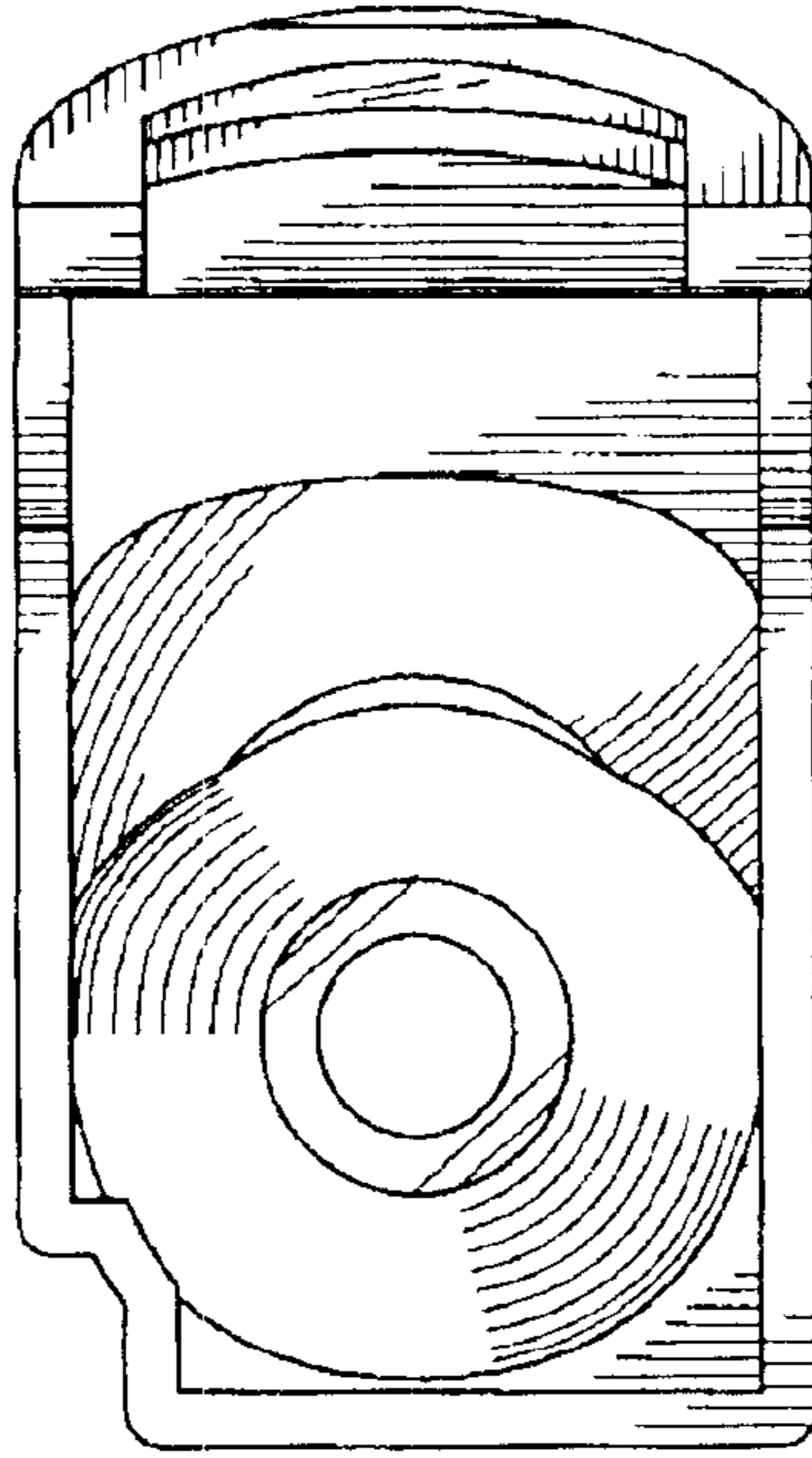


FIG. 7

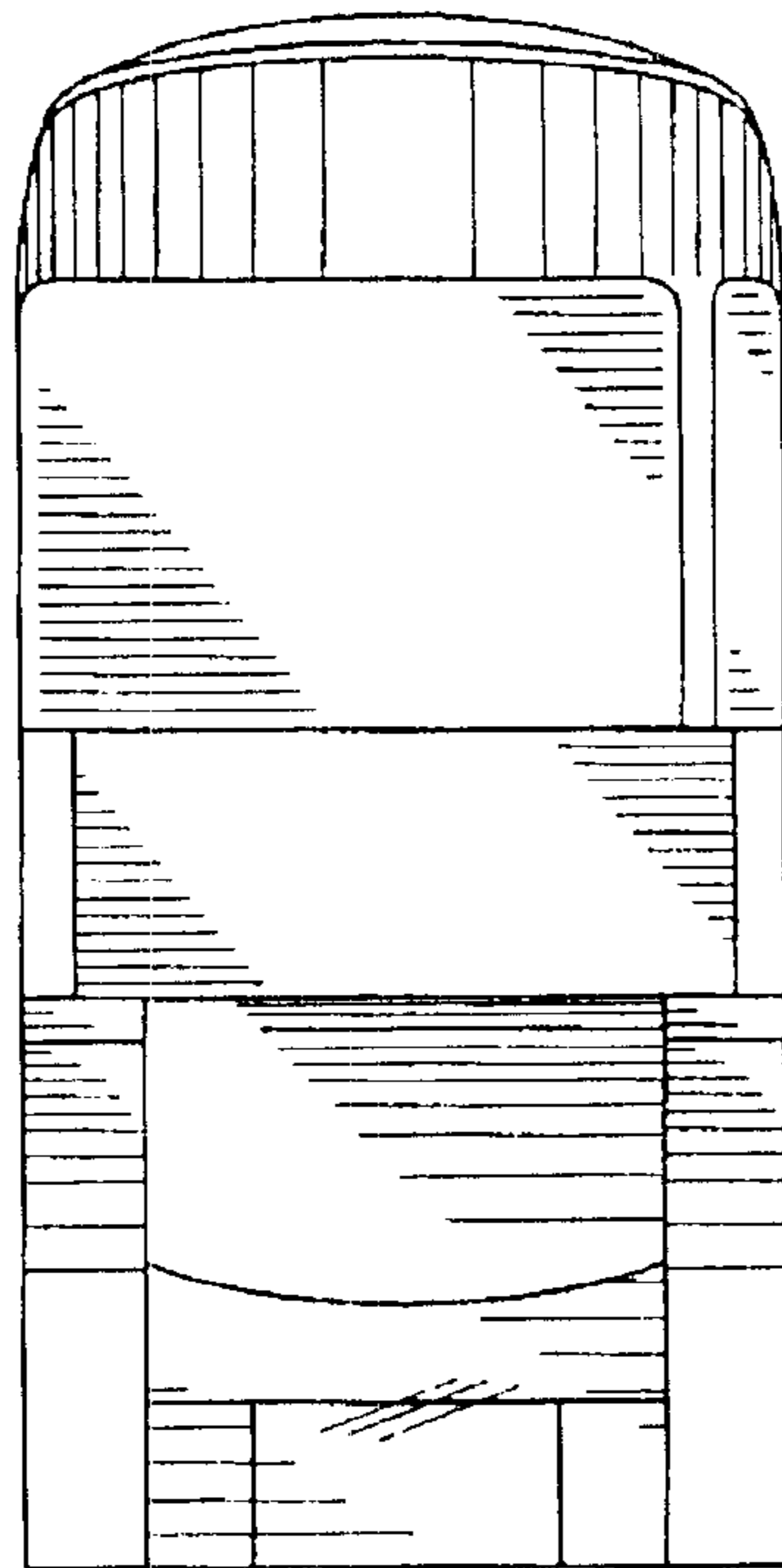


FIG. 8