



US00D488179S

(12) **United States Design Patent**  
**Salvatori et al.**

(10) **Patent No.:** **US D488,179 S**

(45) **Date of Patent:** **\*\* Apr. 6, 2004**

(54) **PROJECTOR SYSTEM**

(75) Inventors: **Phillip H. Salvatori**, Salem, OR (US);  
**Danny Han**, Beaverton, OR (US)

(73) Assignee: **InFocus Corporation**, Wilsonville, OR (US)

(\*\*) Term: **14 Years**

(21) Appl. No.: **29/181,903**

(22) Filed: **May 15, 2003**

**Related U.S. Application Data**

(62) Division of application No. 29/163,889, filed on Jul. 12, 2002.

(51) **LOC (7) Cl.** ..... **16-02**

(52) **U.S. Cl.** ..... **D16/230; D16/225**

(58) **Field of Search** ..... D16/205, 208,  
D16/213, 221, 225, 230, 231, 234; D21/514;  
353/115, 119, 122

(56) **References Cited**

**U.S. PATENT DOCUMENTS**

D356,103 S \* 3/1995 Saeki et al. .... D16/221  
D391,940 S 3/1998 Sakata ..... D16/213  
D428,619 S \* 7/2000 Saeki et al. .... D16/230  
D437,337 S \* 2/2001 Kawasaki et al. .... D16/230

D443,630 S 6/2001 Salvatori ..... D16/230  
D450,076 S \* 11/2001 Fujimaki ..... D16/230  
D454,360 S \* 3/2002 Shimizu et al. .... D16/230  
D464,074 S \* 10/2002 Miyazaki ..... D16/230  
D472,570 S 4/2003 Takahashi ..... D16/230  
D472,571 S \* 4/2003 Williams et al. .... D16/230  
2002/0140909 A1 \* 10/2002 Tanaka ..... 353/119

\* cited by examiner

*Primary Examiner*—Adir Aronovich

(57) **CLAIM**

The ornamental design for a projector system, as shown and described.

**DESCRIPTION**

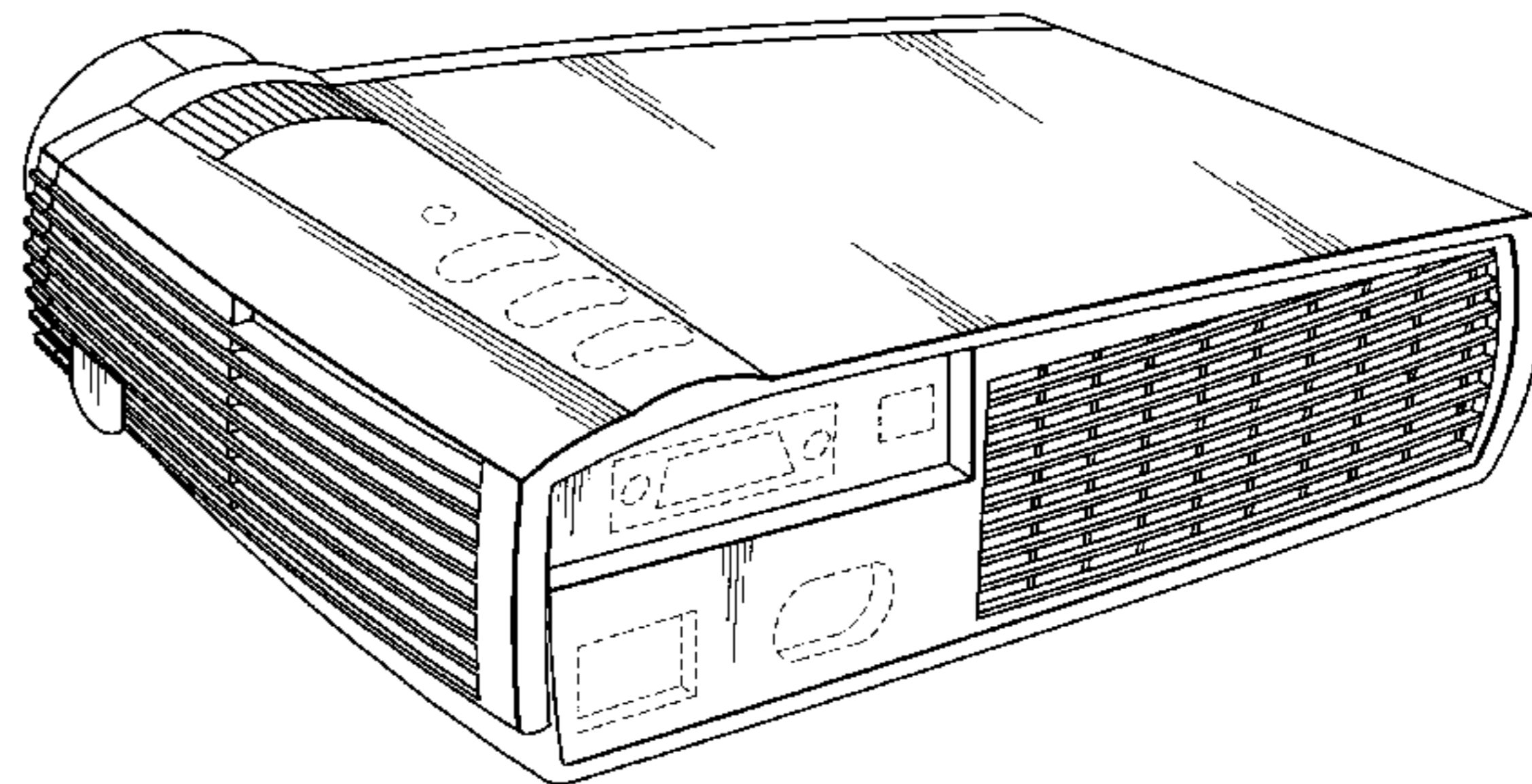
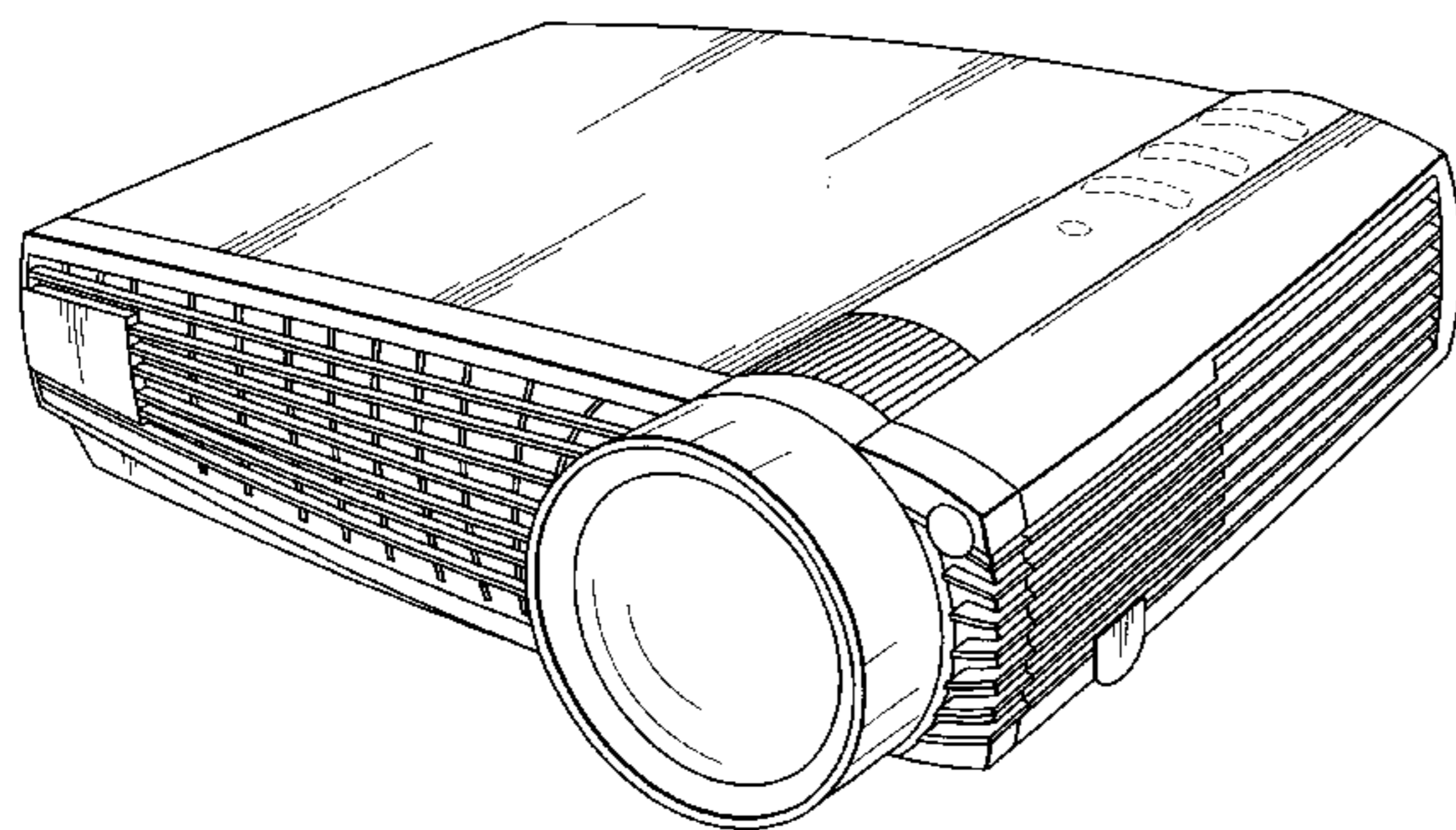
FIG. 1 is a front perspective view of a projector system according to the present invention; and, FIG. 2 is a rear perspective view thereof.

The broken lines shown in the drawings are for illustrative purposes only and form no part of the claimed design. The bottom of the design is flat and unornamented, so the bottom view has been omitted.

The shade lines shown in the drawings represent the three-dimensional contour of the design, and are not intended to indicate surface decoration.

Portions of the projector system that are not shown in the drawings form no part of the claimed design.

**1 Claim, 2 Drawing Sheets**



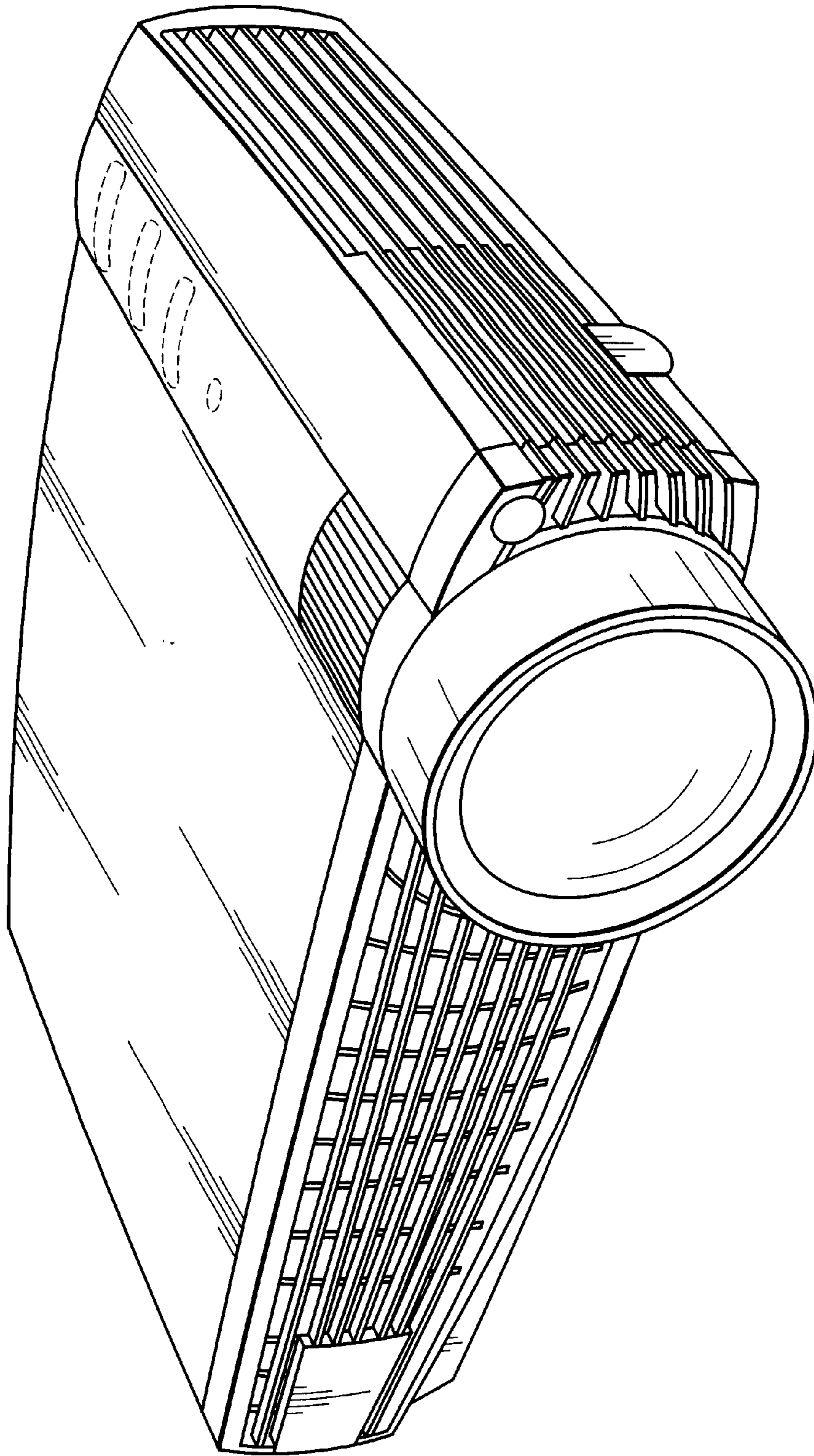


FIG. 1

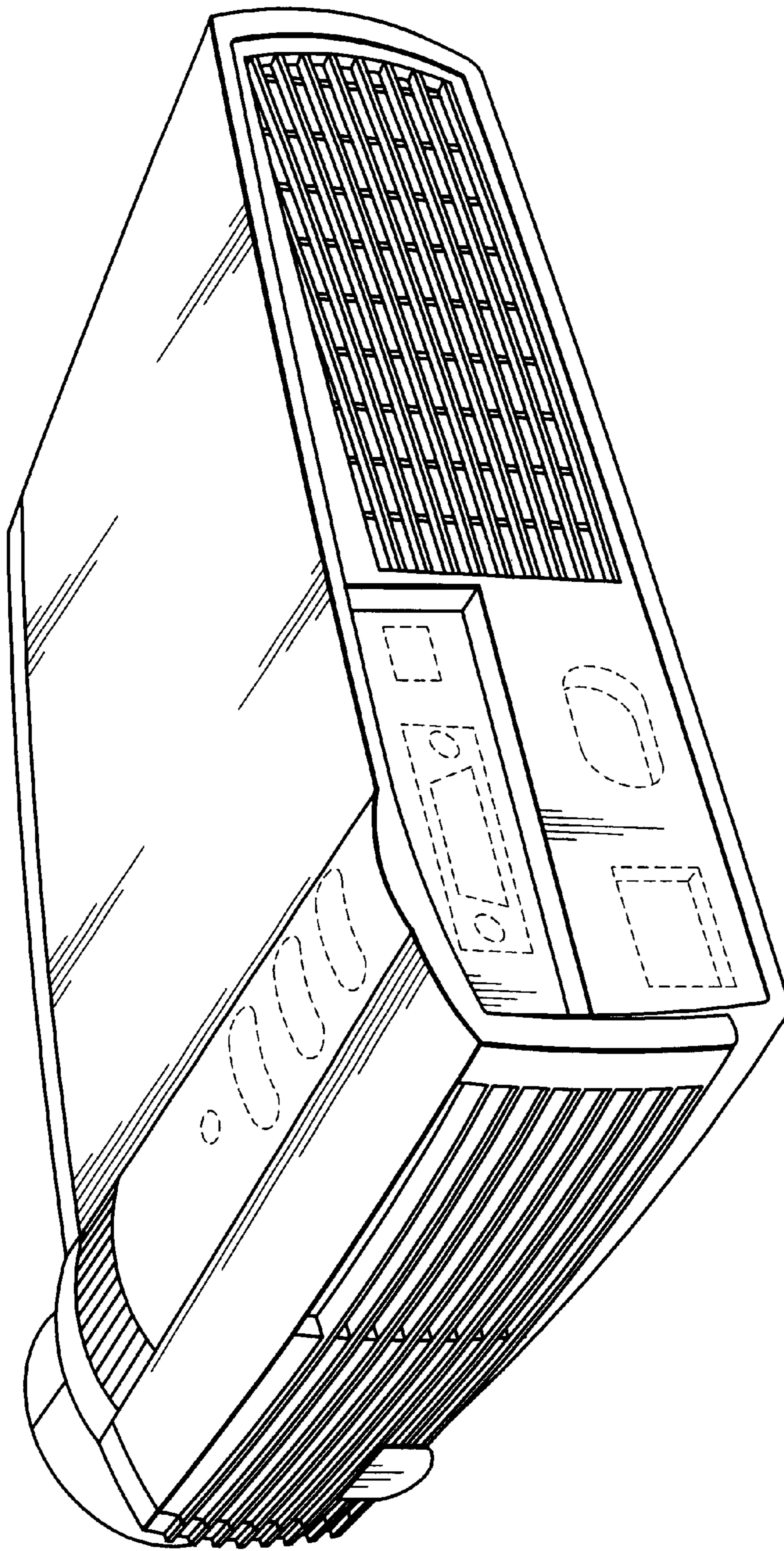


FIG. 2