



US00D488178S

(12) **United States Design Patent**
Huang

(10) **Patent No.:** **US D488,178 S**

(45) **Date of Patent:** **** Apr. 6, 2004**

(54) **CAMERA**

(76) Inventor: **Ching-Ching Huang**, 1F, No. 7, Alley
15, Lane 340, Chung-Hua 2nd Rd.,
Yung-Kang City, Tainan Hsien (TW)

(**) Term: **14 Years**

(21) Appl. No.: **29/179,268**

(22) Filed: **Apr. 7, 2003**

(51) **LOC (7) Cl.** **16-01**

(52) **U.S. Cl.** **D16/218; D16/202; D16/133**

(58) **Field of Search** **D16/200-206,**
D16/208, 218, 133; 348/373-376; 358/906;
396/535-541, 7, 25

(56) **References Cited**

U.S. PATENT DOCUMENTS

D203,899 S * 2/1966 Yanagisawa D16/218
5,444,507 A * 8/1995 Palmer 396/544
5,499,052 A * 3/1996 Nakanishi et al. 348/373
D375,318 S * 11/1996 Ishii D16/202

D470,160 S * 2/2003 Meinzer D16/133
D476,022 S * 6/2003 Sumita D16/202

* cited by examiner

Primary Examiner—Adir Aronovich

(74) *Attorney, Agent, or Firm*—Ostrolenk, Faber, Gerb &
Soffen, LLP

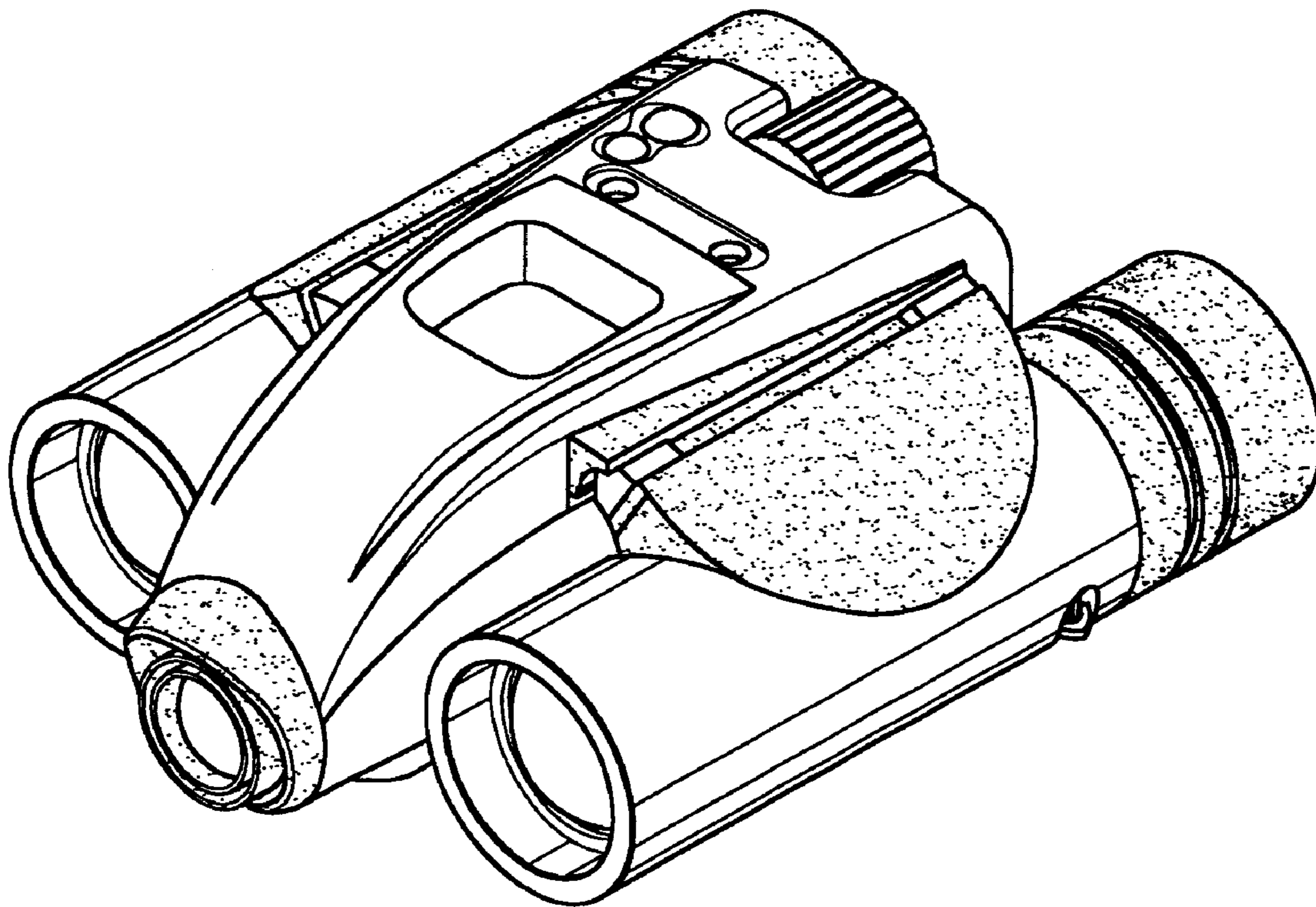
(57) **CLAIM**

The ornamental design for a camera, as shown and
described.

DESCRIPTION

FIG. 1 is a perspective view of a camera showing my new
design;
FIG. 2 is a front elevational view thereof;
FIG. 3 is a rear elevational view thereof;
FIG. 4 is a left side elevational view thereof;
FIG. 5 is a right side elevational view thereof;
FIG. 6 is a top plan view thereof; and,
FIG. 7 is a bottom plan view thereof.

1 Claim, 4 Drawing Sheets



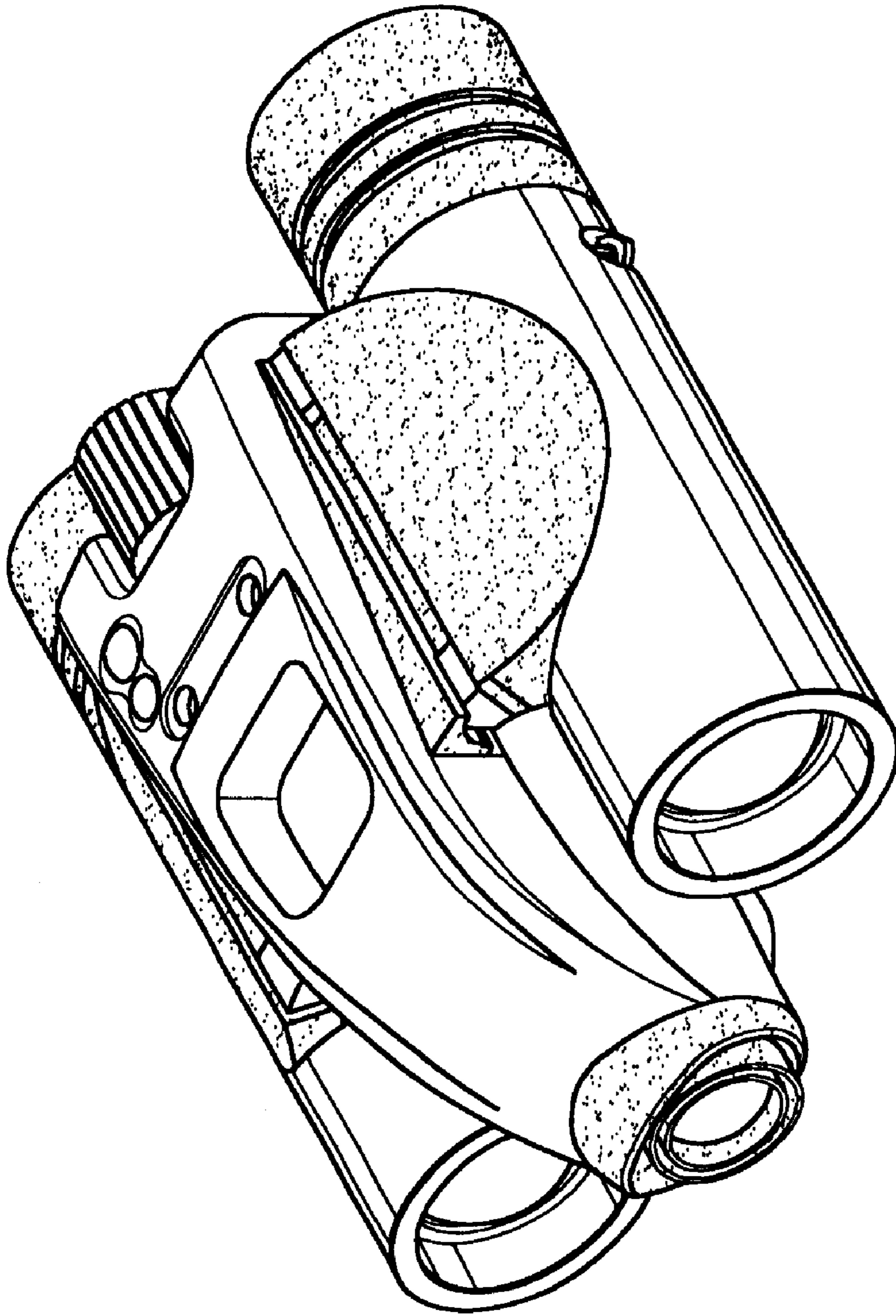


FIG. 1

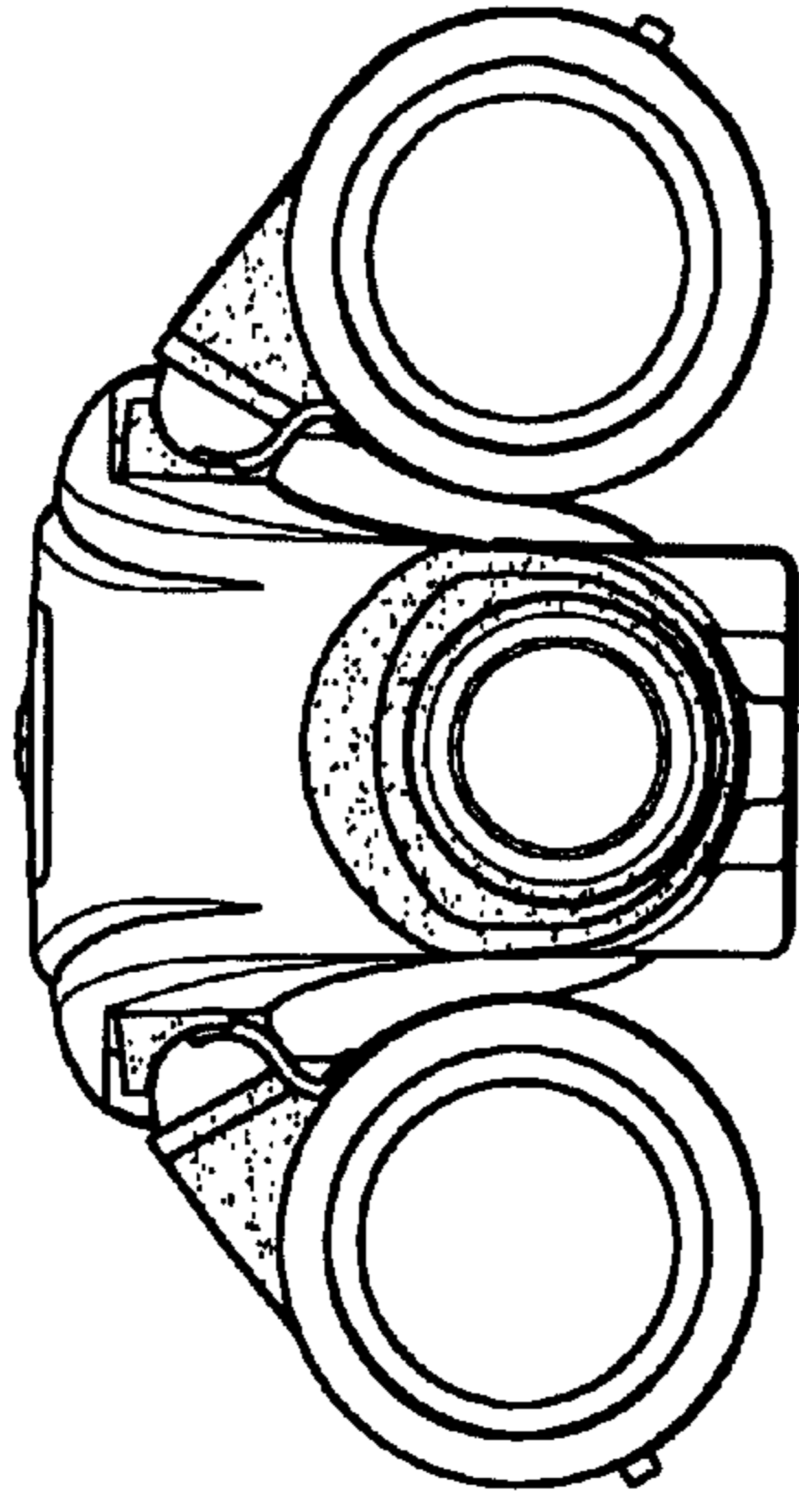


FIG. 3

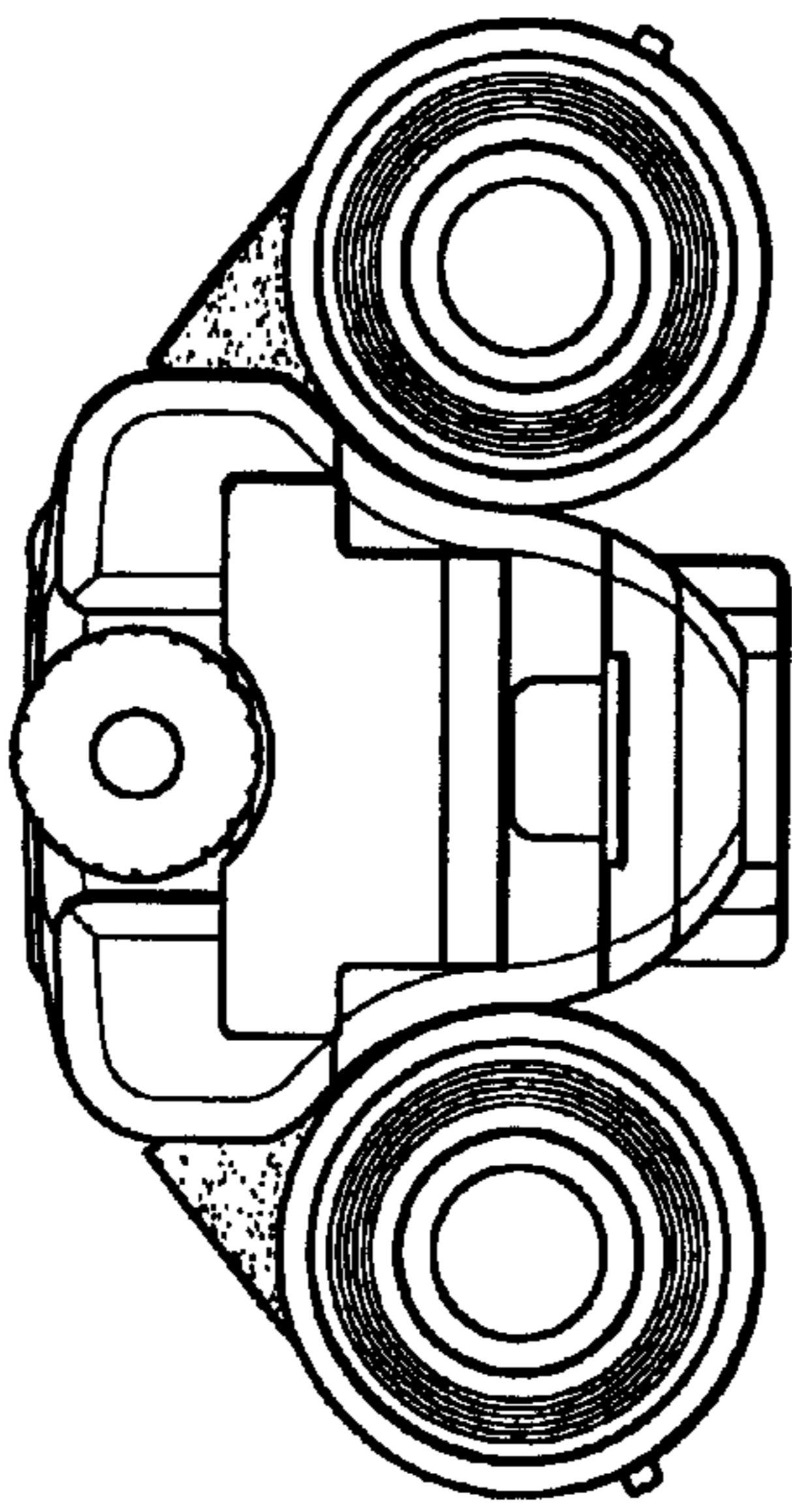


FIG. 2

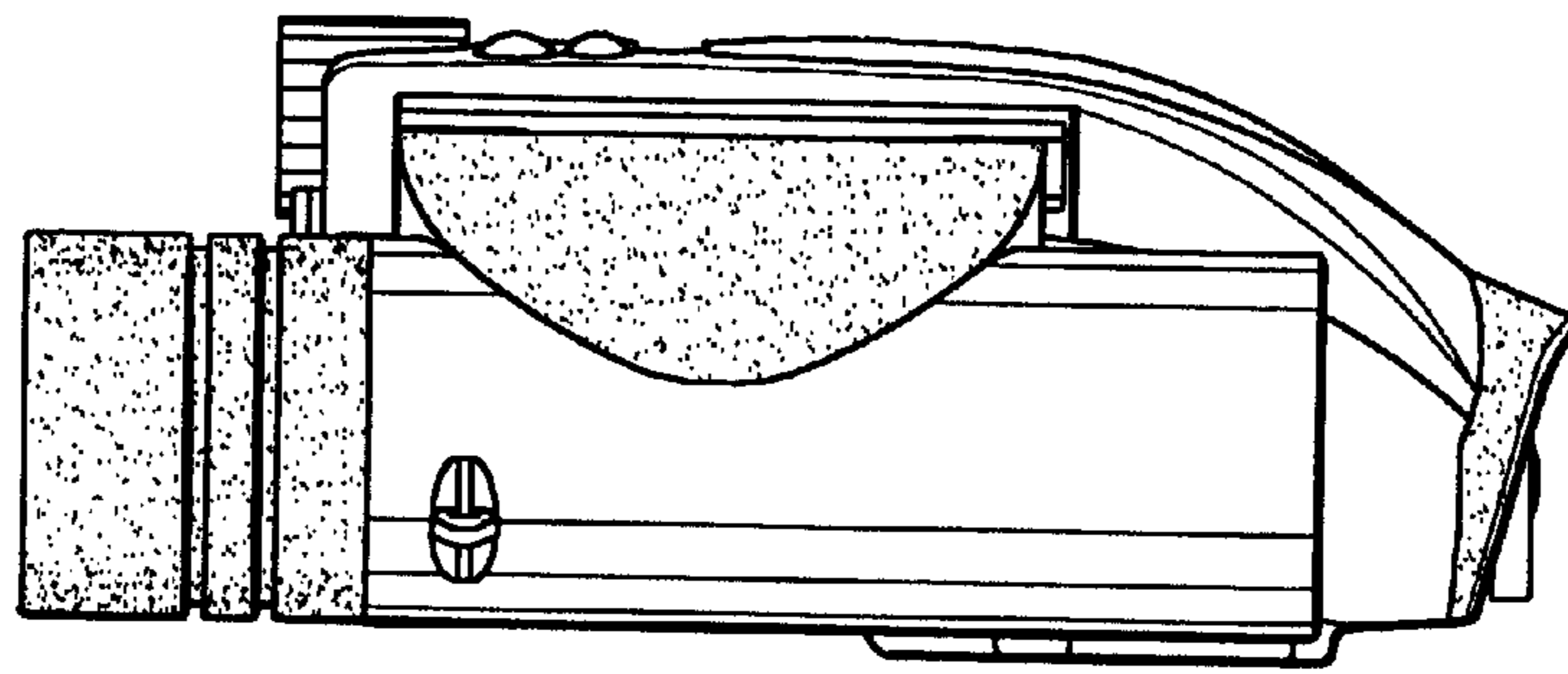


FIG. 4

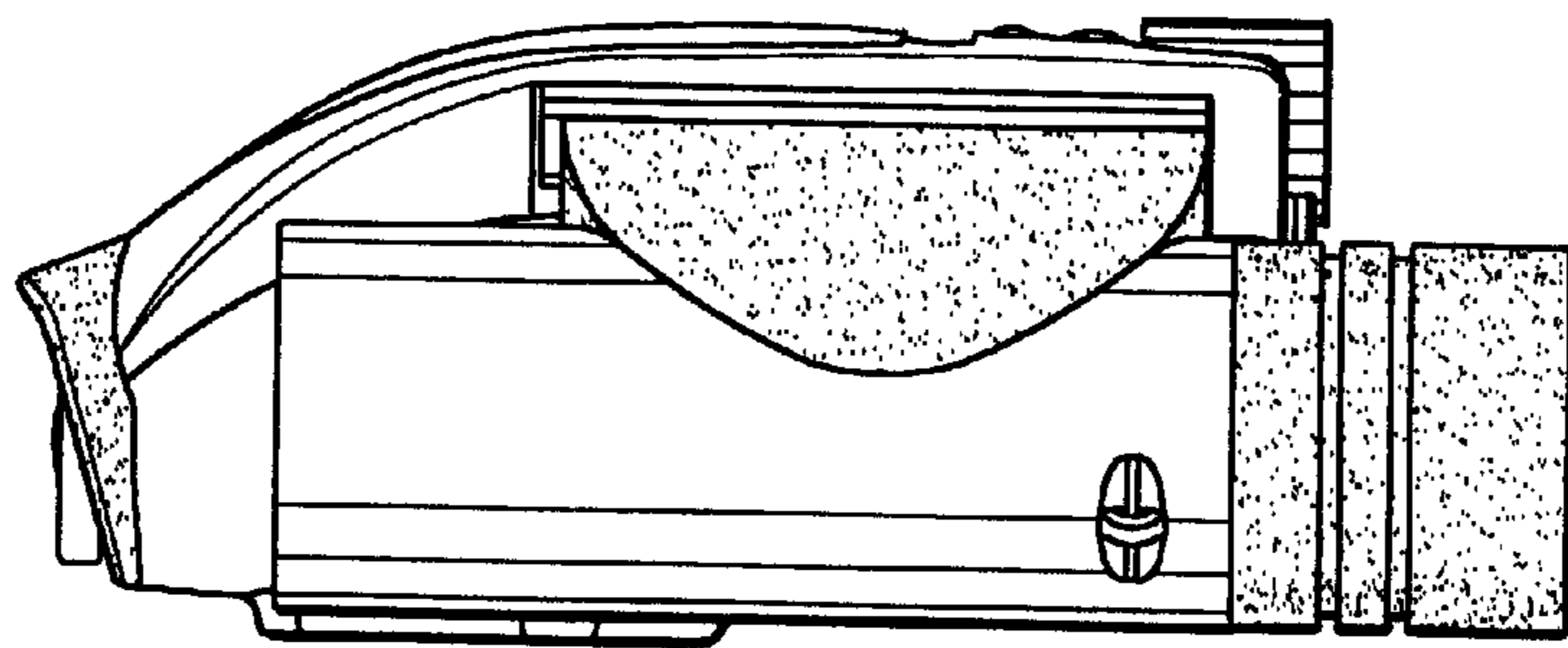


FIG. 5

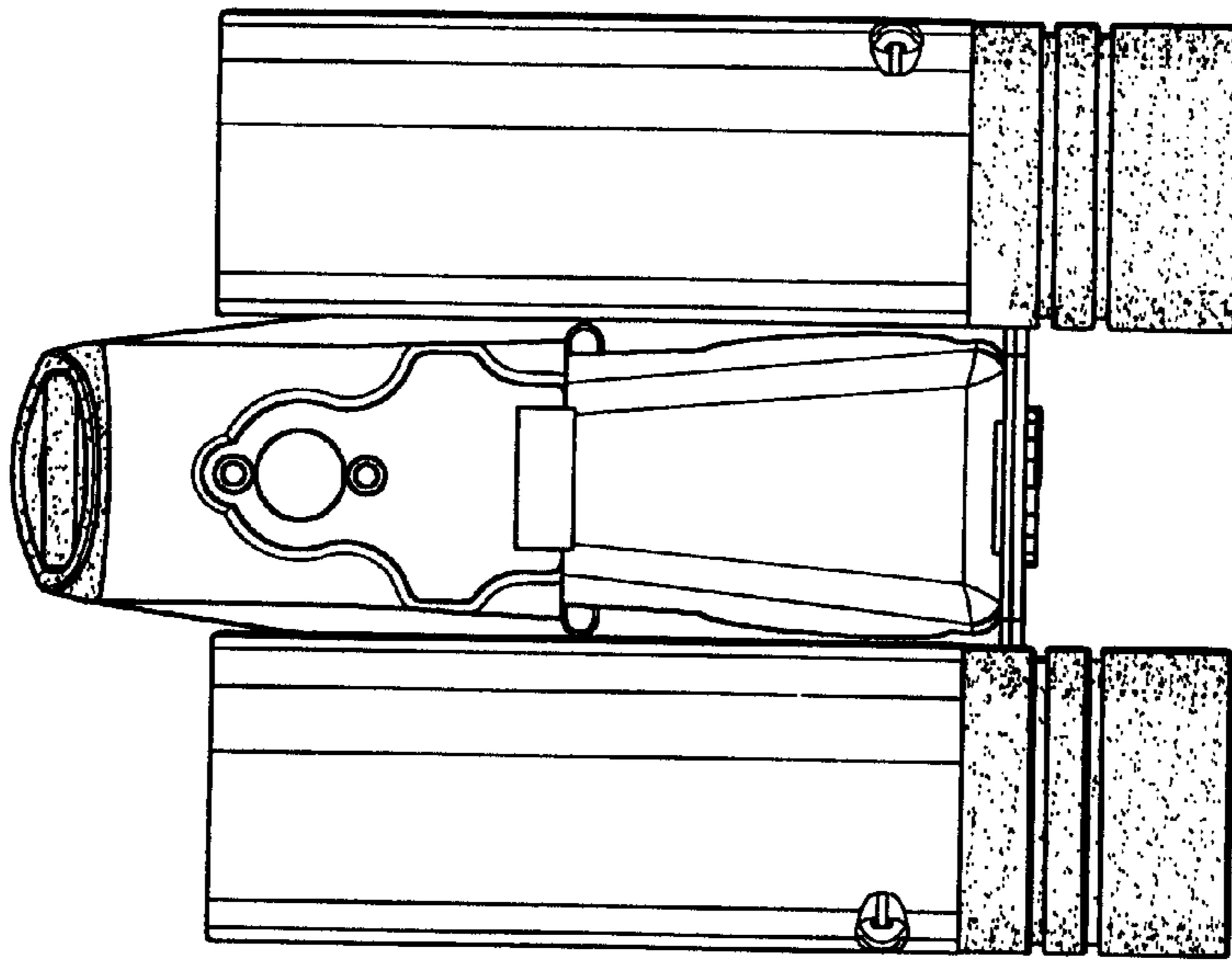


FIG. 7

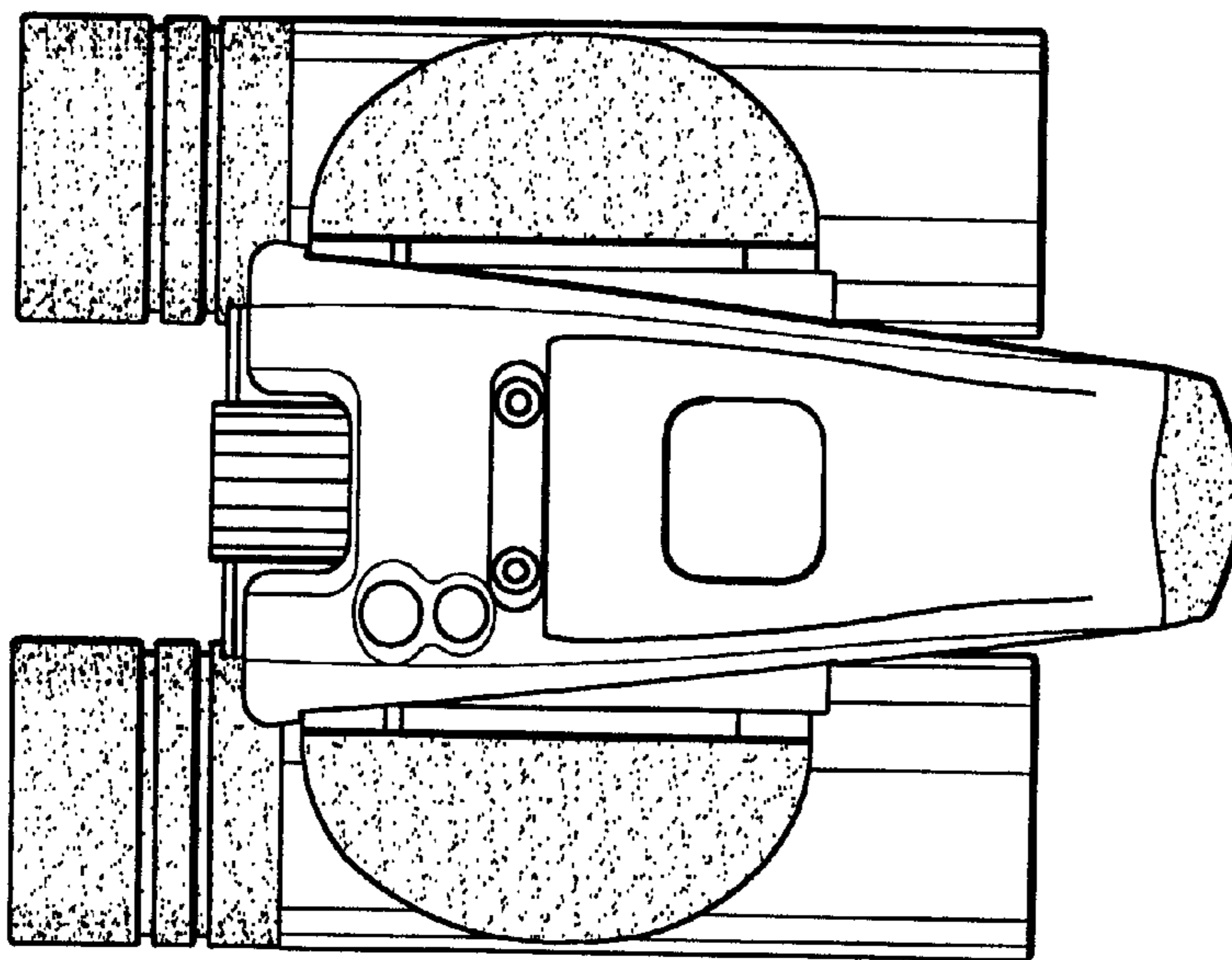


FIG. 6