



US00D488177S

(12) **United States Design Patent**  
**Dittmann et al.**

(10) **Patent No.:** **US D488,177 S**  
(45) **Date of Patent:** **\*\* Apr. 6, 2004**

(54) **APPARATUS FOR MELTING AND DISPENSING OF MATERIAL**

(75) Inventors: **Ralf Dittmann**, Melbek (DE); **Harald Meyer**, Betzendorf (DE); **Jirka Trhlik**, Frankfurt (DE); **Kay-Uwe Witte**, Offenbach (DE); **Kai Herda**, Hessen (DE)

(73) Assignee: **Nordson Corporation**, Westlake, OH (US)

(\*\*) Term: **14 Years**

(21) Appl. No.: **29/177,991**

(22) Filed: **Mar. 19, 2003**

(51) **LOC (7) Cl.** ..... **15-09**

(52) **U.S. Cl.** ..... **D15/144**

(58) **Field of Search** ..... D15/144, 144.2, D15/144.3; 222/146.5; 219/687, 730, 759, 762

(56) **References Cited**

**U.S. PATENT DOCUMENTS**

D270,353 S	8/1983	Lewellen	.....	D15/144
4,456,151 A *	6/1984	Lewellen	.....	222/146.5
D276,617 S	12/1984	Scholl et al.	.....	D15/144
D360,422 S	7/1995	Frates et al.	.....	D15/144
D425,530 S	5/2000	Lafitte	.....	D15/144

**OTHER PUBLICATIONS**

Airprint Systems, Inc., *NCG Hotmelt Equipment*, Brochure, 2 pgs., undated.  
Valco Cincinnati, *The Valco Hot Melt System*, Brochure, 3 pgs., undated.

ITW Dynatec, *Packaging Newslines*, Brochure, 2 pgs., undated.

Slautterback, *Hotmelt Applicator Systems*, Brochure, 18 pgs., 1996.

Nordson Corporation, *1996 Adhesives and Sealants Equipment Catalog*, 1996, pp. 1-1 to 1-84, 2-i to 2-0; and 13-20.

\* cited by examiner

*Primary Examiner*—Lisa Lichtenstein

(74) *Attorney, Agent, or Firm*—Wood, Herron & Evans, L.L.P.

(57) **CLAIM**

The ornamental design for an apparatus for melting and dispensing of material, as shown and described.

**DESCRIPTION**

FIG. 1 is a front perspective view of the apparatus for melting and dispensing a material.

FIG. 2 is a front elevational view of the apparatus for melting and dispensing of material.

FIG. 3 is a right side view of the apparatus for melting and dispensing of material.

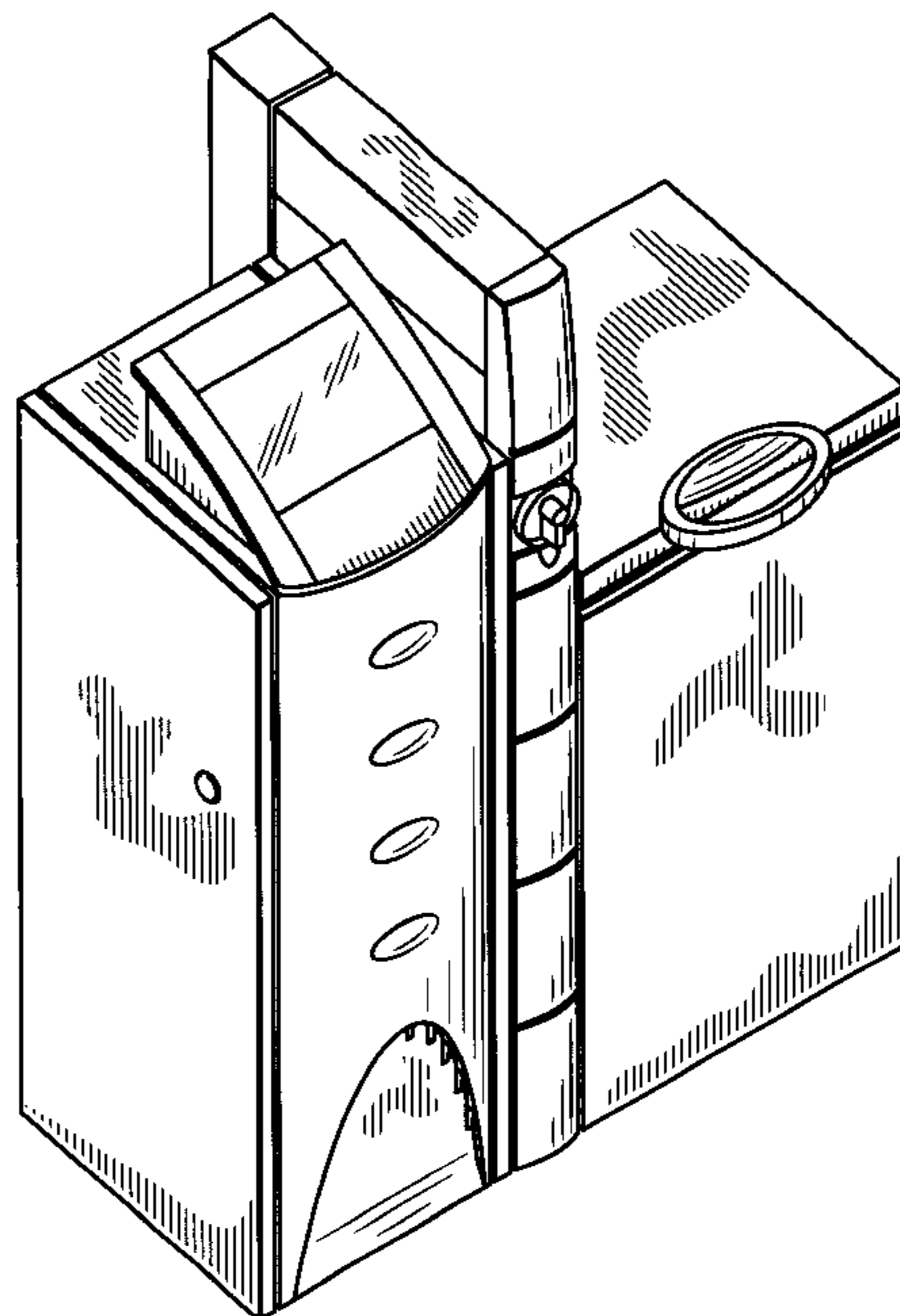
FIG. 4 is a rear elevational view of the apparatus for melting and dispensing of material.

FIG. 5 is a left side view of the apparatus for melting and dispensing of material.

FIG. 6 is a top view of the apparatus for melting and dispensing of material; and,

FIG. 7 is a bottom view of the apparatus for melting and dispensing of material.

**1 Claim, 2 Drawing Sheets**



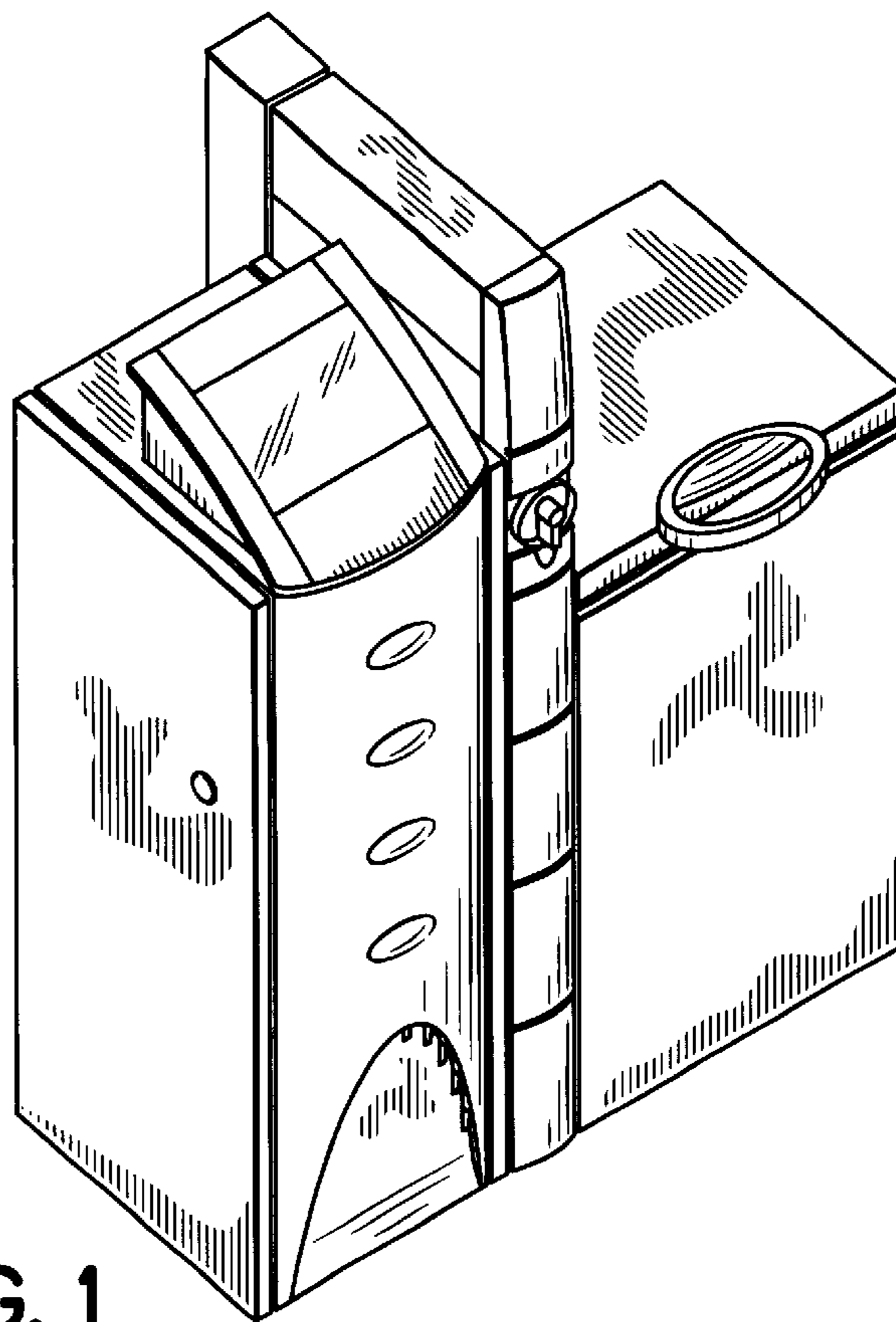


FIG. 1

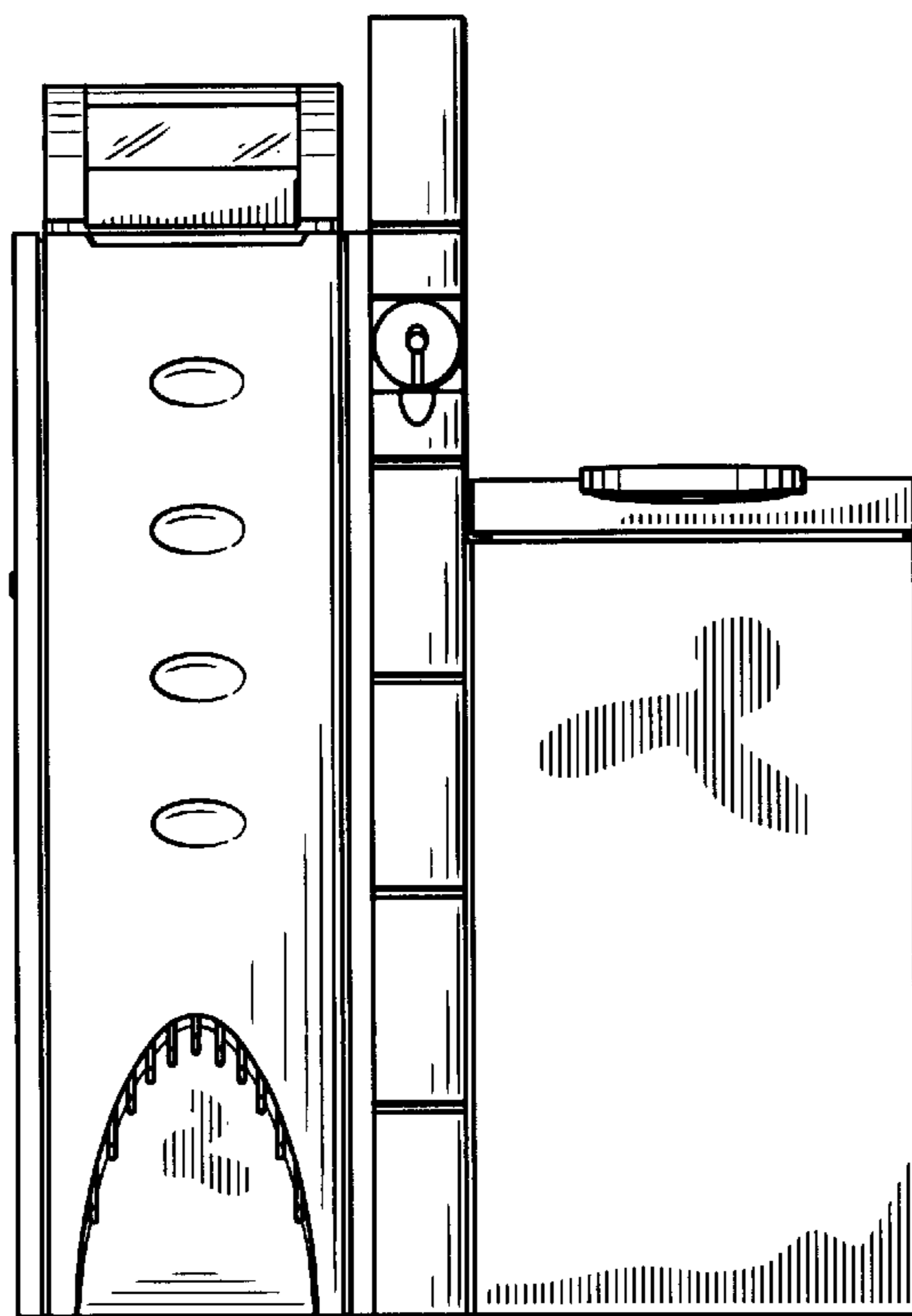


FIG. 2

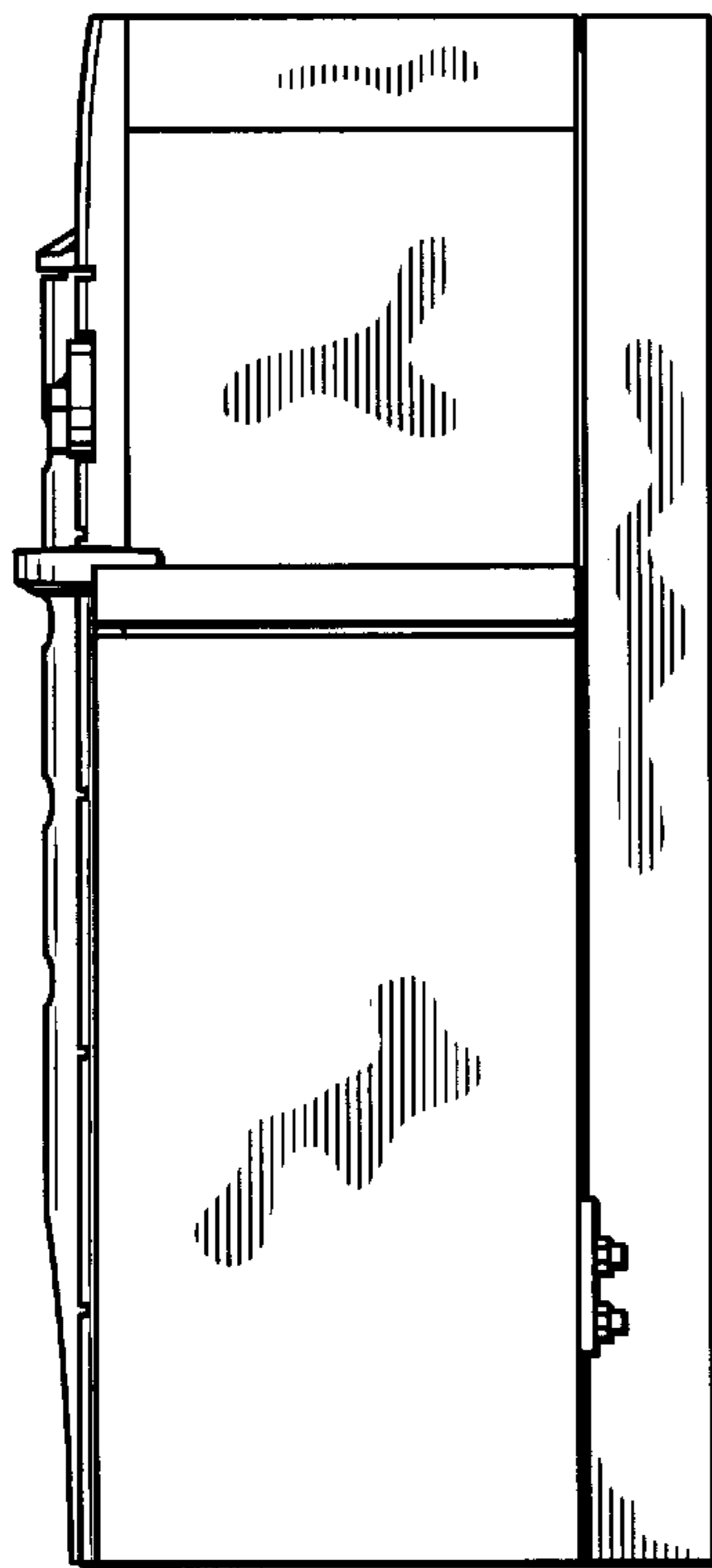


FIG. 3

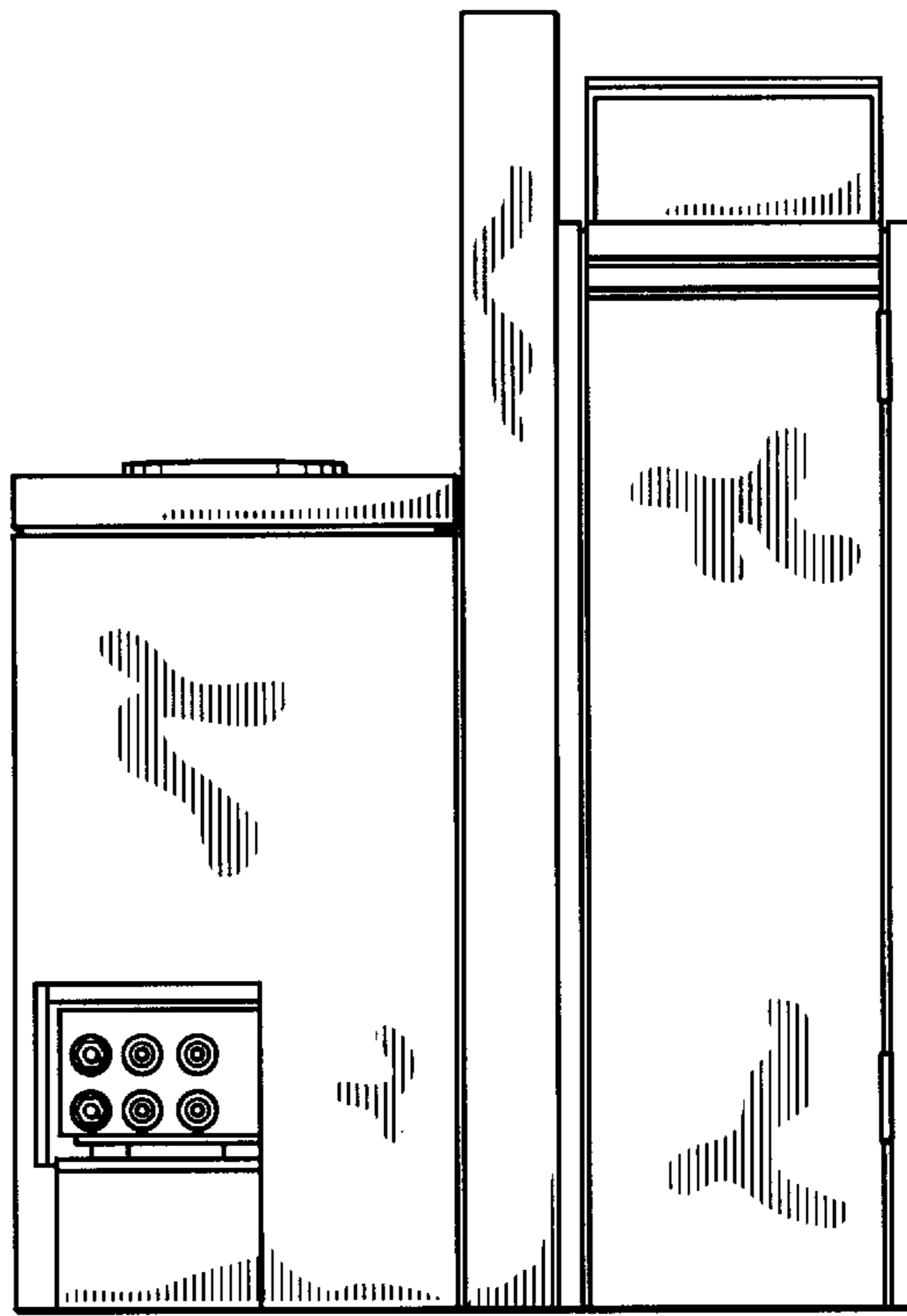


FIG. 4

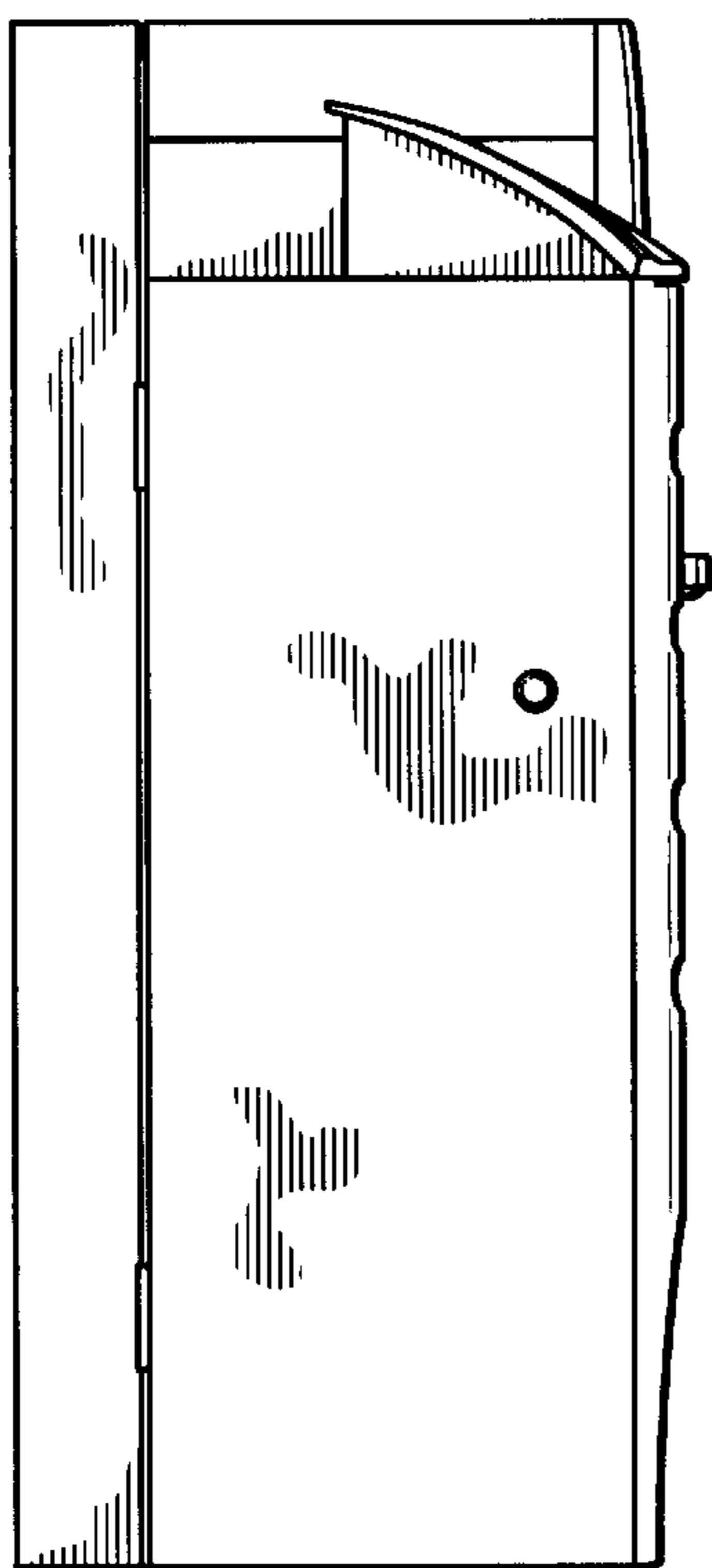


FIG. 5

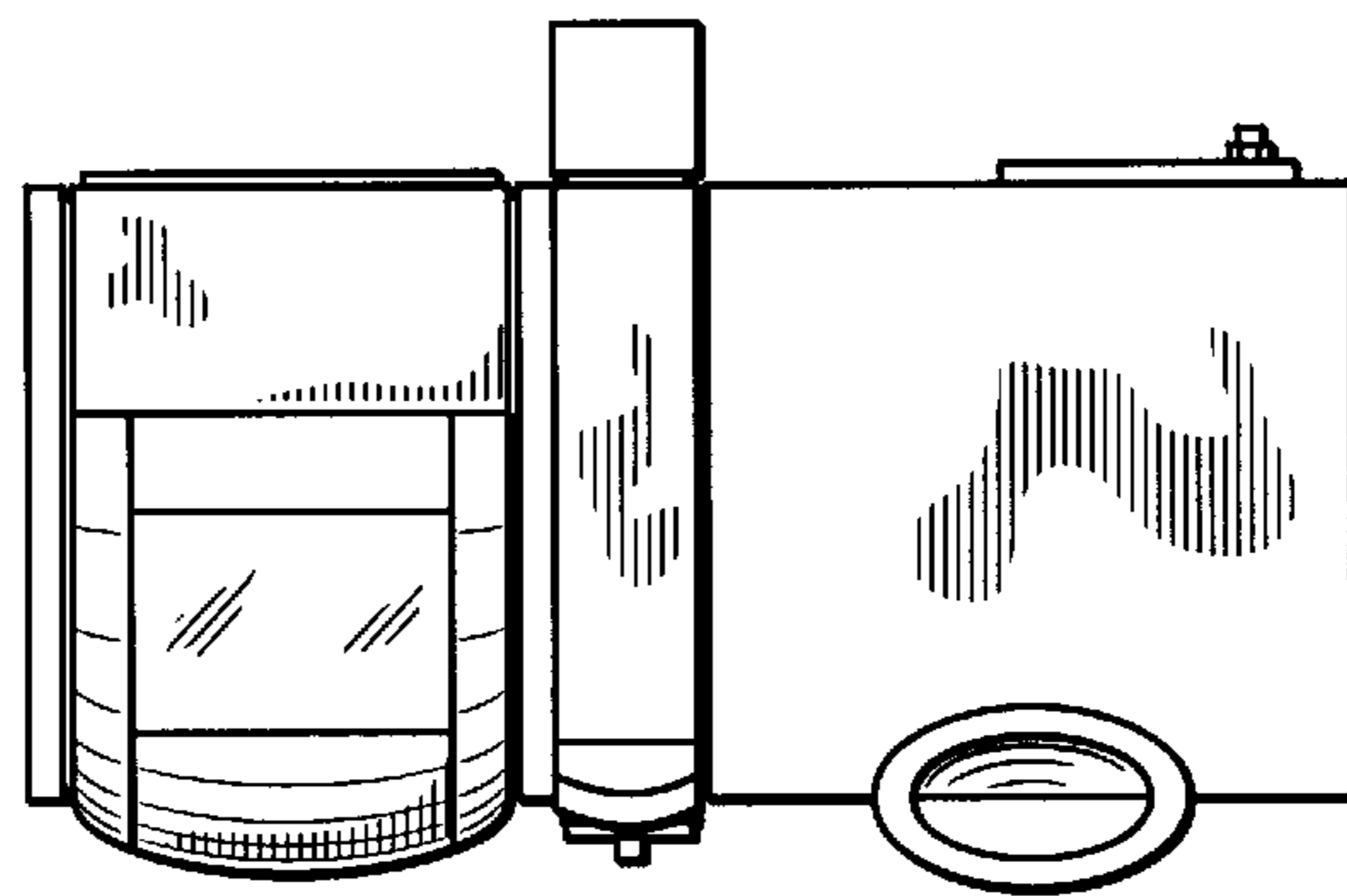


FIG. 6

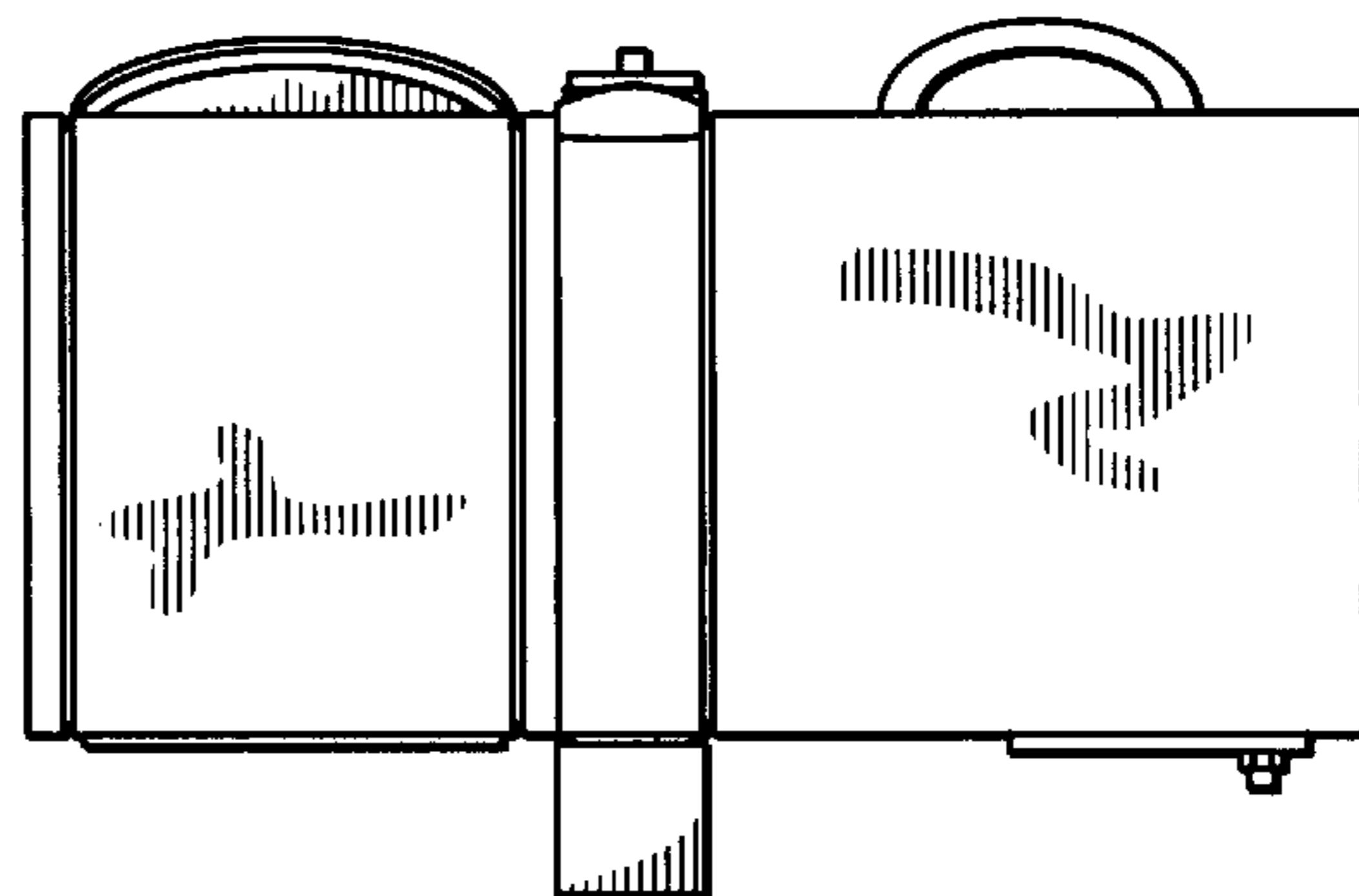


FIG. 7