



US00D488174S

(12) **United States Design Patent**
East

(10) **Patent No.:** **US D488,174 S**

(45) **Date of Patent:** **** Apr. 6, 2004**

(54) **CUTTING TOOTH**

(76) **Inventor:** **C. Richard East**, P.O. Box 280, Patrick Springs, VA (US) 24133

(**) **Term:** **14 Years**

(21) **Appl. No.:** **29/174,179**

(22) **Filed:** **Jan. 13, 2003**

(51) **LOC (7) Cl.** **15-00**

(52) **U.S. Cl.** **D15/139**

(58) **Field of Search** D15/139; 407/112-119; 83/831; 144/231, 34.1

(56) **References Cited**

U.S. PATENT DOCUMENTS

1,653,265 A	12/1927	Foerster	
2,160,525 A	5/1939	Thornton	
2,736,352 A	2/1956	Wright	
3,261,384 A	7/1966	Henderson	
3,358,720 A	12/1967	Henderson	
3,714,974 A	* 2/1973	Bullard	83/831
3,818,561 A	6/1974	Montana et al.	
3,945,289 A	3/1976	Baez Rios	
3,977,447 A	8/1976	Pease	
3,986,421 A	10/1976	Schultz	
4,084,470 A	4/1978	Reed	
4,563,929 A	1/1986	Ringlee et al.	
4,667,713 A	* 5/1987	Wright	144/231
4,738,291 A	4/1988	Isley	
4,744,278 A	5/1988	Wright	
4,750,396 A	6/1988	Gaddis et al.	
4,765,217 A	8/1988	Ludwig	
4,848,205 A	7/1989	Suzuki et al.	
4,879,936 A	11/1989	Anderson	
4,932,447 A	* 6/1990	Morin	144/34.1

5,058,477 A	10/1991	MacLennan
5,085,112 A	2/1992	MacLennan
5,113,919 A	5/1992	MacLennan
5,131,305 A	7/1992	MacLennan
5,205,199 A	4/1993	MacLennan
5,211,212 A	5/1993	Carlson et al.
5,303,752 A	4/1994	MacLennan
5,307,719 A	5/1994	MacLennan
5,644,965 A	7/1997	MacLennan et al.

OTHER PUBLICATIONS

Drawings for Disk Saw Blade and Method, C. Richard East, whose utility application was sent to the Patent Office on Dec. 27, 2002, 5 pages.

Drawings for Disk Saw Tooth/Retainer Joint, C. Richard East, whose design application was sent to the Patent Office on Dec. 13, 2002, 1 page.

* cited by examiner

Primary Examiner—Lisa Lichtenstein

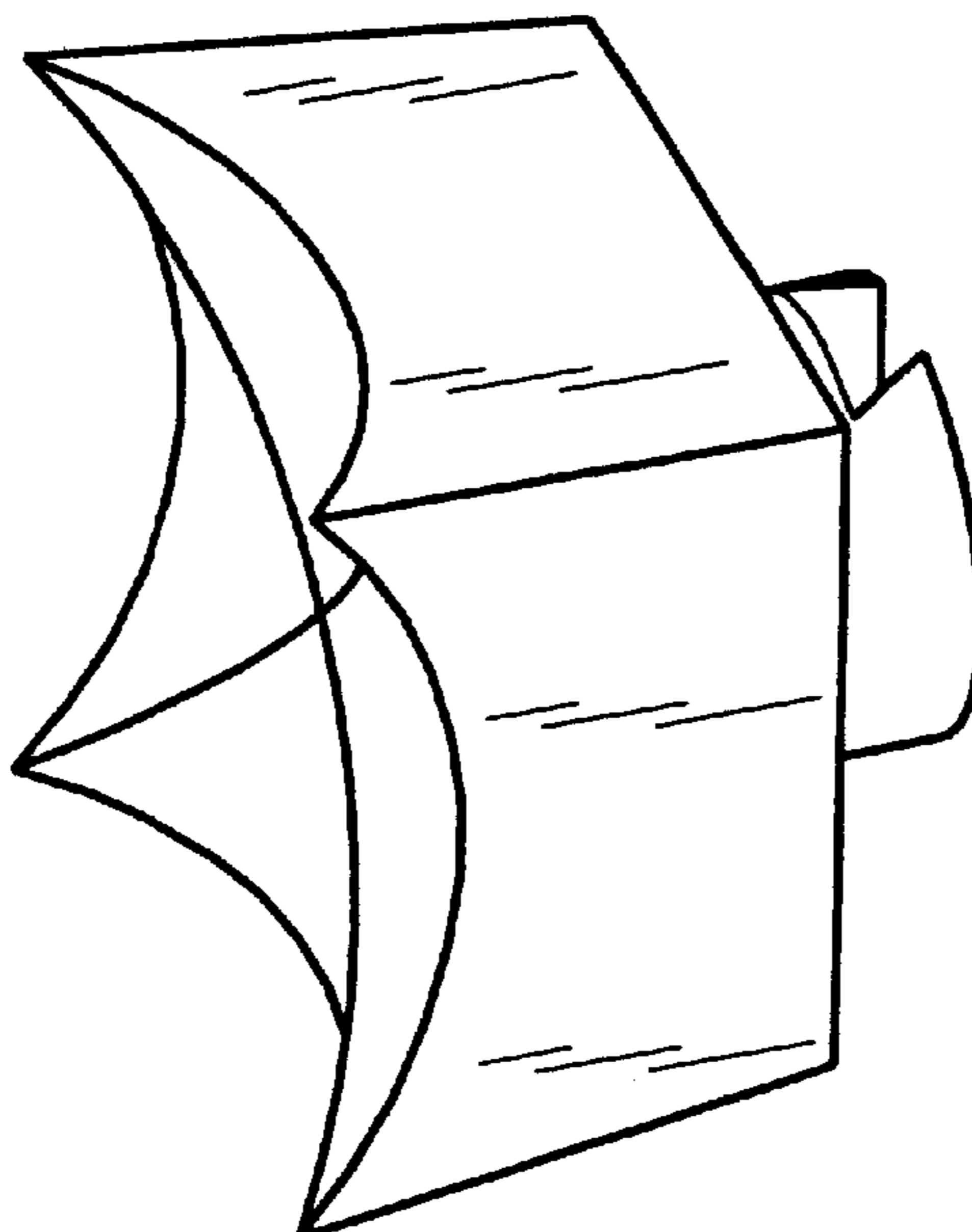
(57) **CLAIM**

The ornamental design for a cutting tooth, as shown and described.

DESCRIPTION

FIG. 1 is a front, top right side perspective view of a cutting tooth embodying my design;
FIG. 2 is a front elevational view of the cutting tooth as shown in FIG. 1;
FIG. 3 is a rear top left side perspective view thereof;
FIG. 4 is a top plan view thereof;
FIG. 5 is a left side elevational view thereof; and,
FIG. 6 is a rear elevational view thereof.

1 Claim, 2 Drawing Sheets



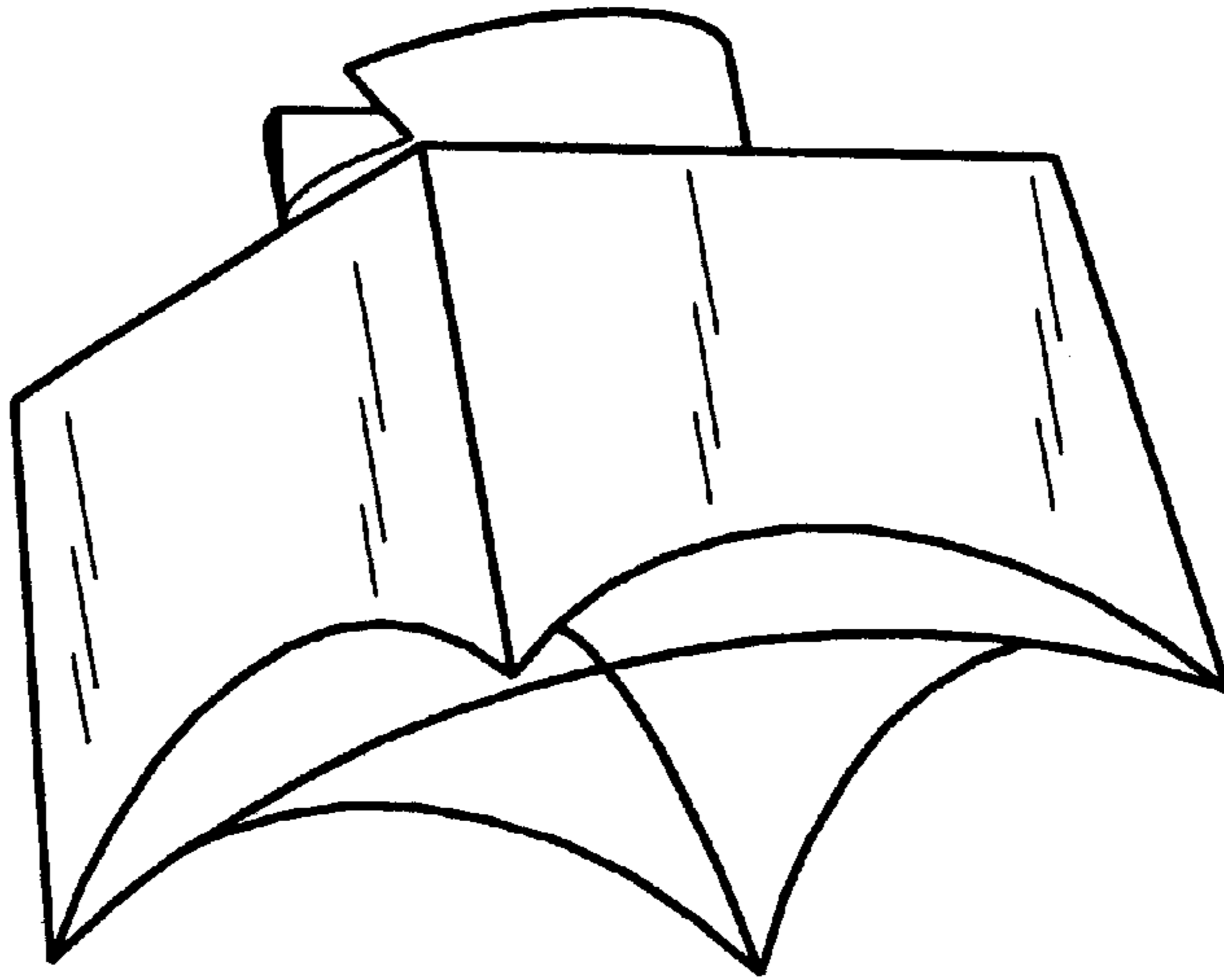


FIG. 1

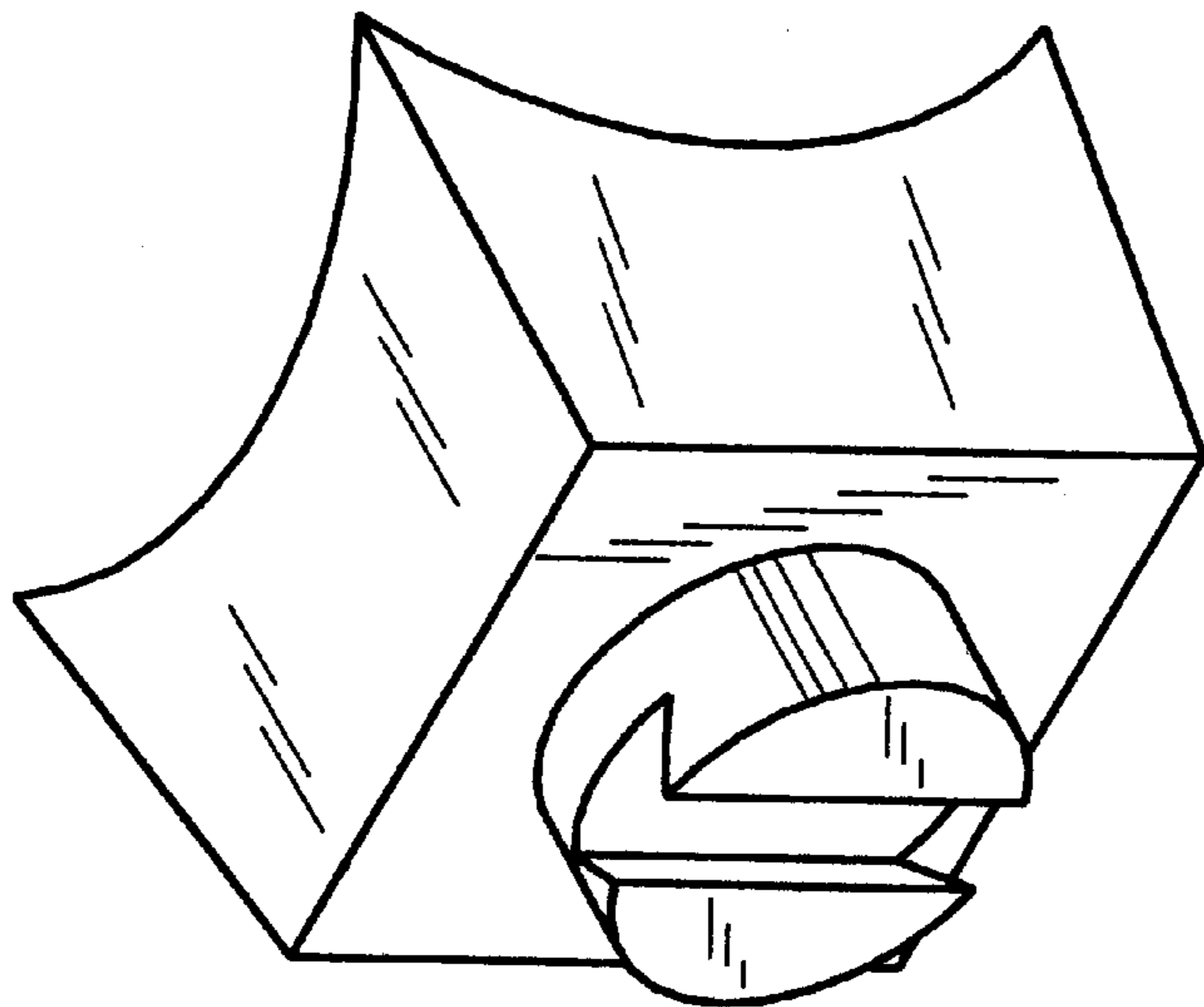


FIG. 3

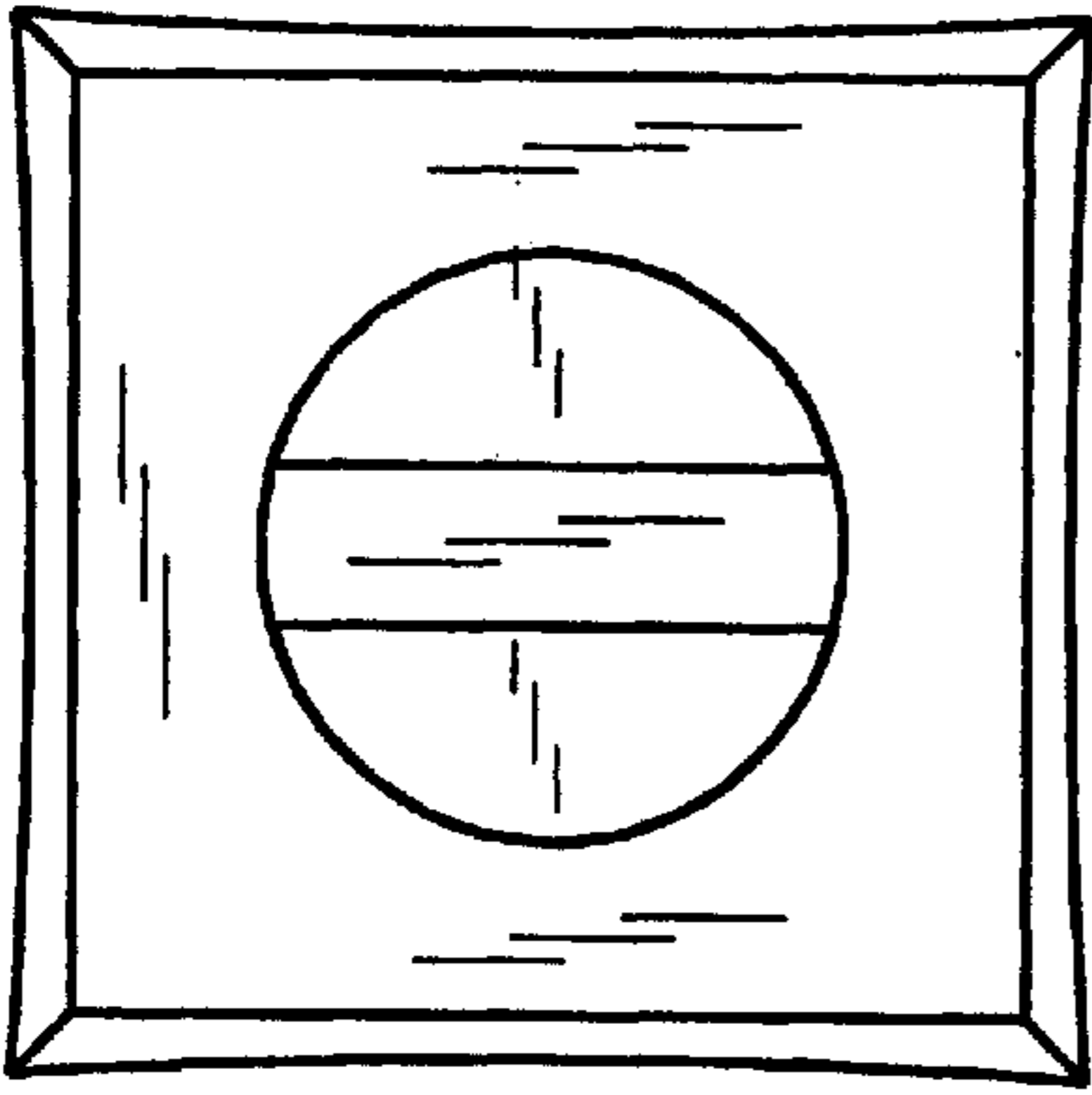


FIG. 6

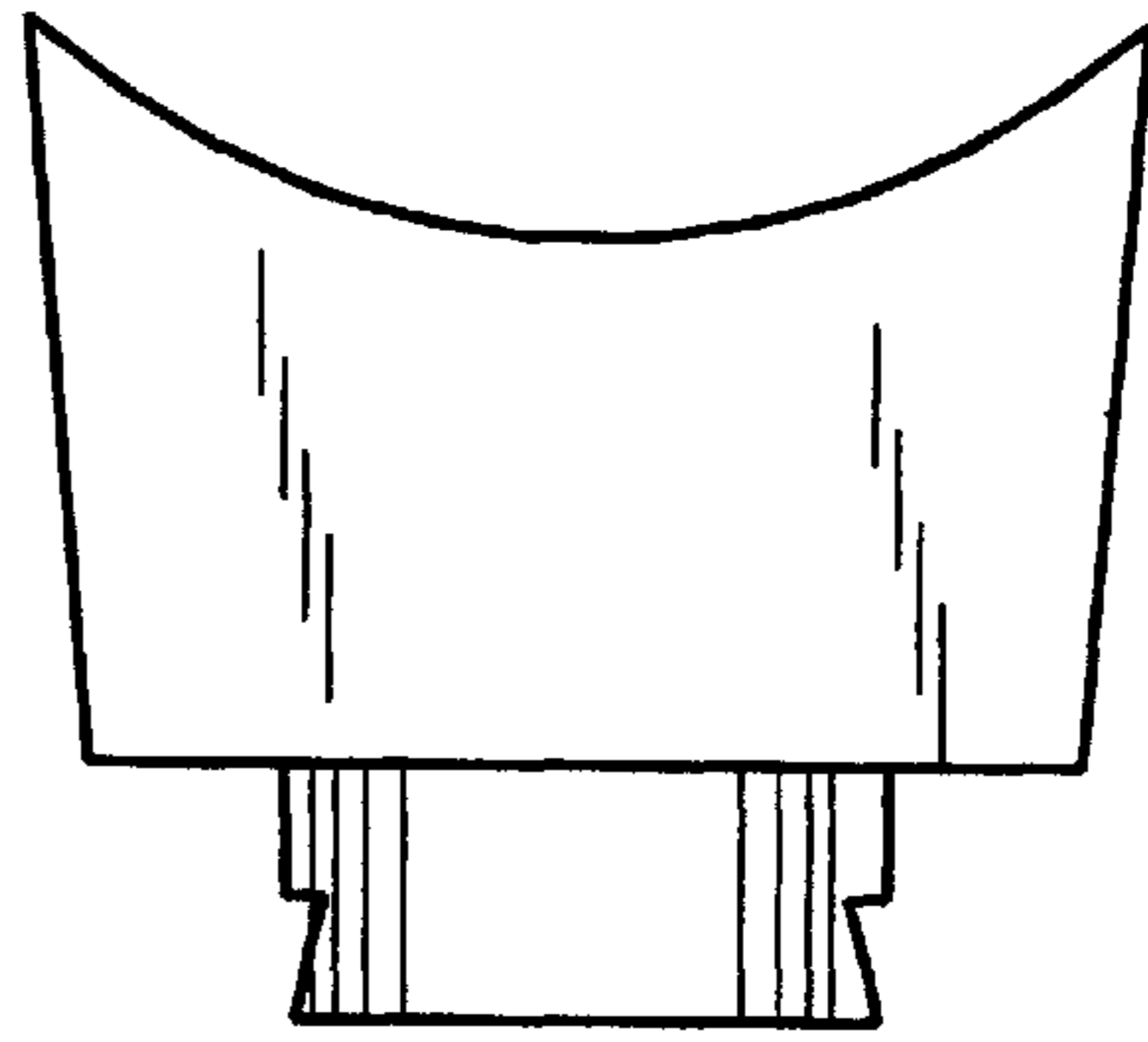


FIG. 5

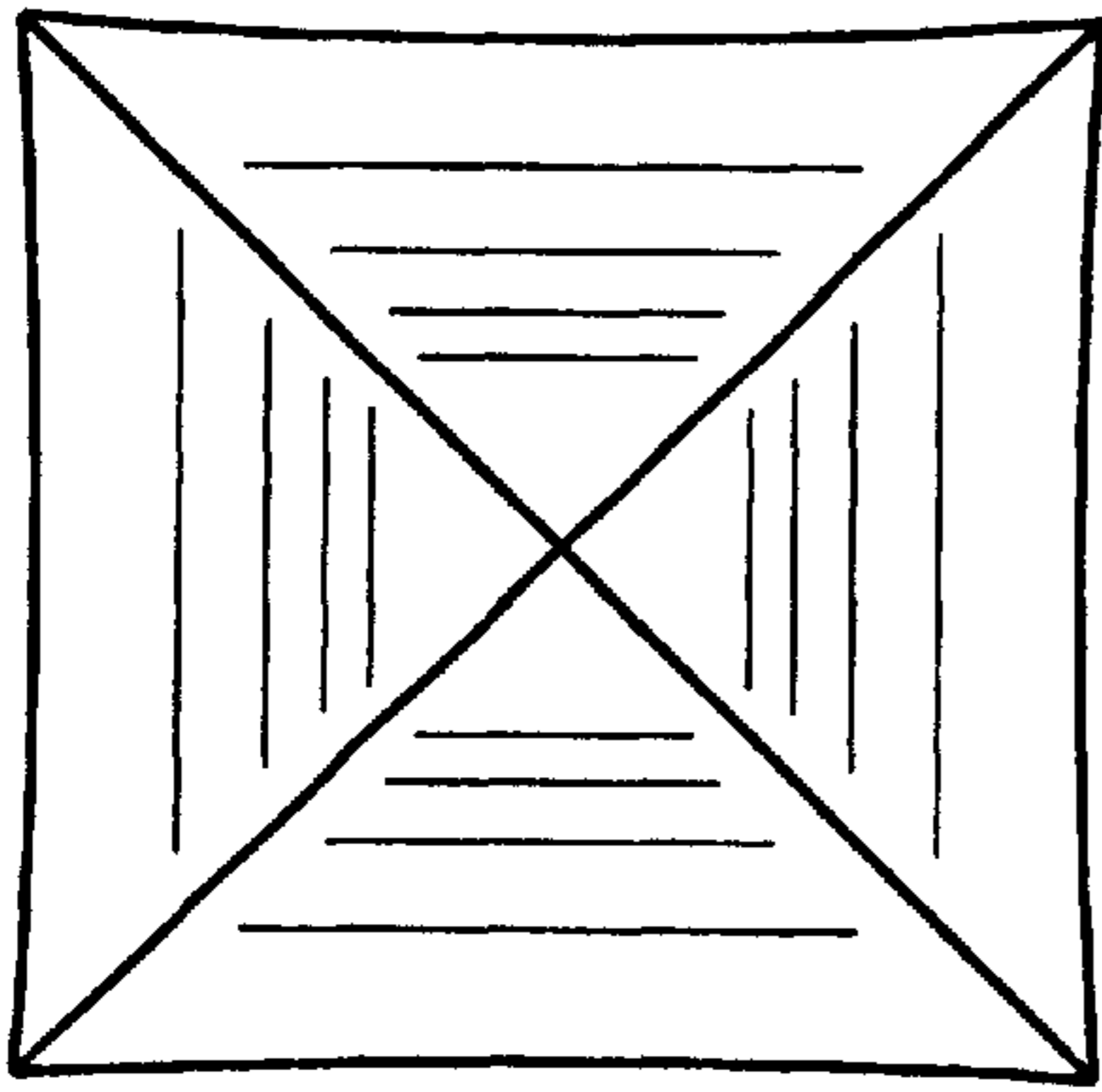


FIG. 2

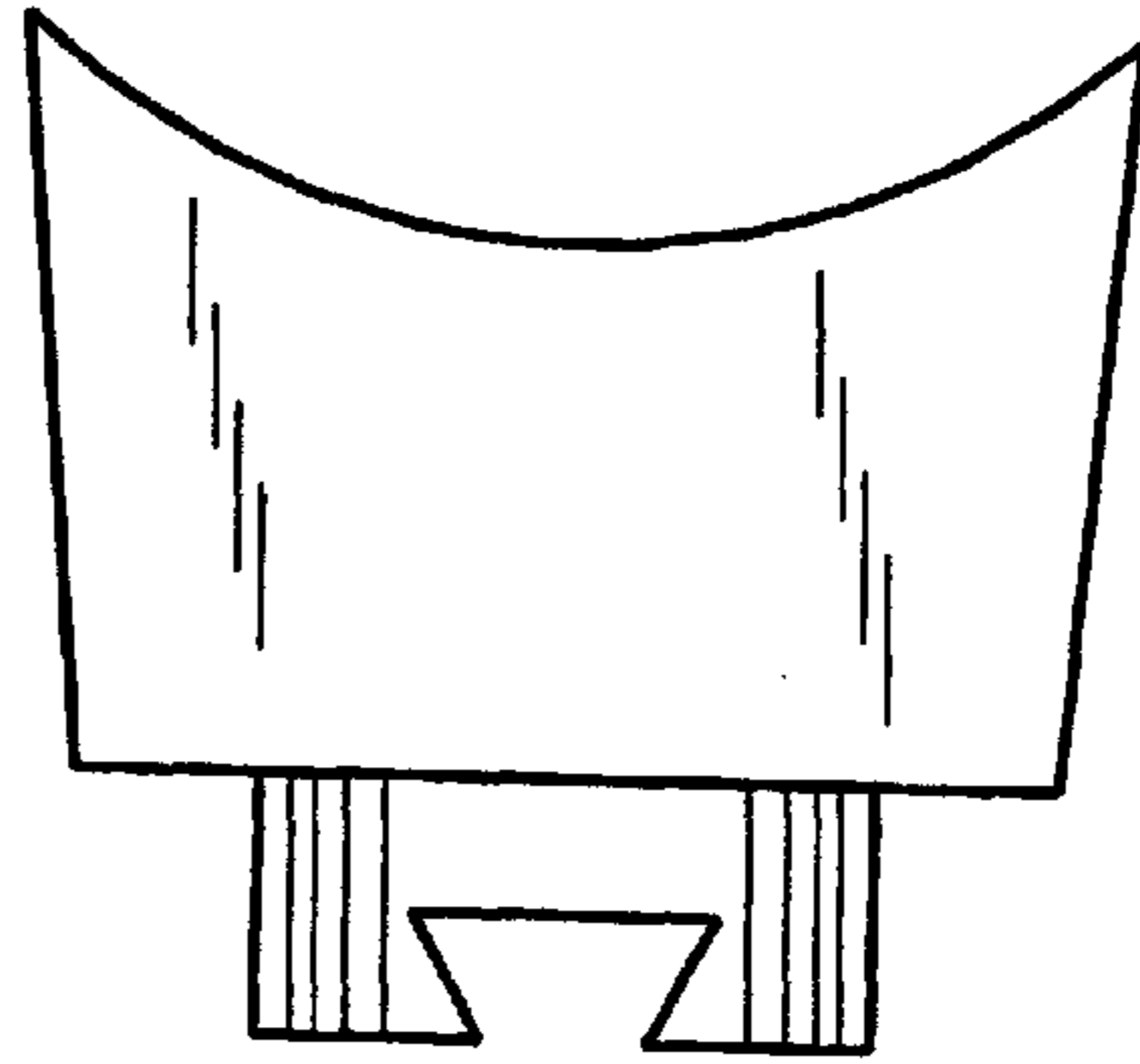


FIG. 4