



US00D488173S

(12) **United States Design Patent**
Wang

(10) **Patent No.:** **US D488,173 S**

(45) **Date of Patent:** **** Apr. 6, 2004**

(54) **PLANER**

(76) **Inventor:** **Chin Feng Wang**, 11F-2, No. 43,
Chai-I Street, Taichung City (TW)

(**) **Term:** **14 Years**

(21) **Appl. No.:** **29/179,682**

(22) **Filed:** **Apr. 14, 2003**

(51) **LOC (7) Cl.** **15-09**

(52) **U.S. Cl.** **D15/124**

(58) **Field of Search** D15/124, 127;
144/177.1-177.4, 131; 451/455, 296

(56) **References Cited**

U.S. PATENT DOCUMENTS

- D285,083 S * 8/1986 Miyamoto D15/127
- 4,777,854 A * 10/1988 Rice 144/117.1 X
- D323,834 S * 2/1992 Fushiya et al. D15/133
- D442,976 S * 5/2001 Chin-Feng D15/124

- D460,089 S * 7/2002 Garcia et al. D15/124
- D477,002 S * 7/2003 Wang D15/127

* cited by examiner

Primary Examiner—Brian N. Vinson

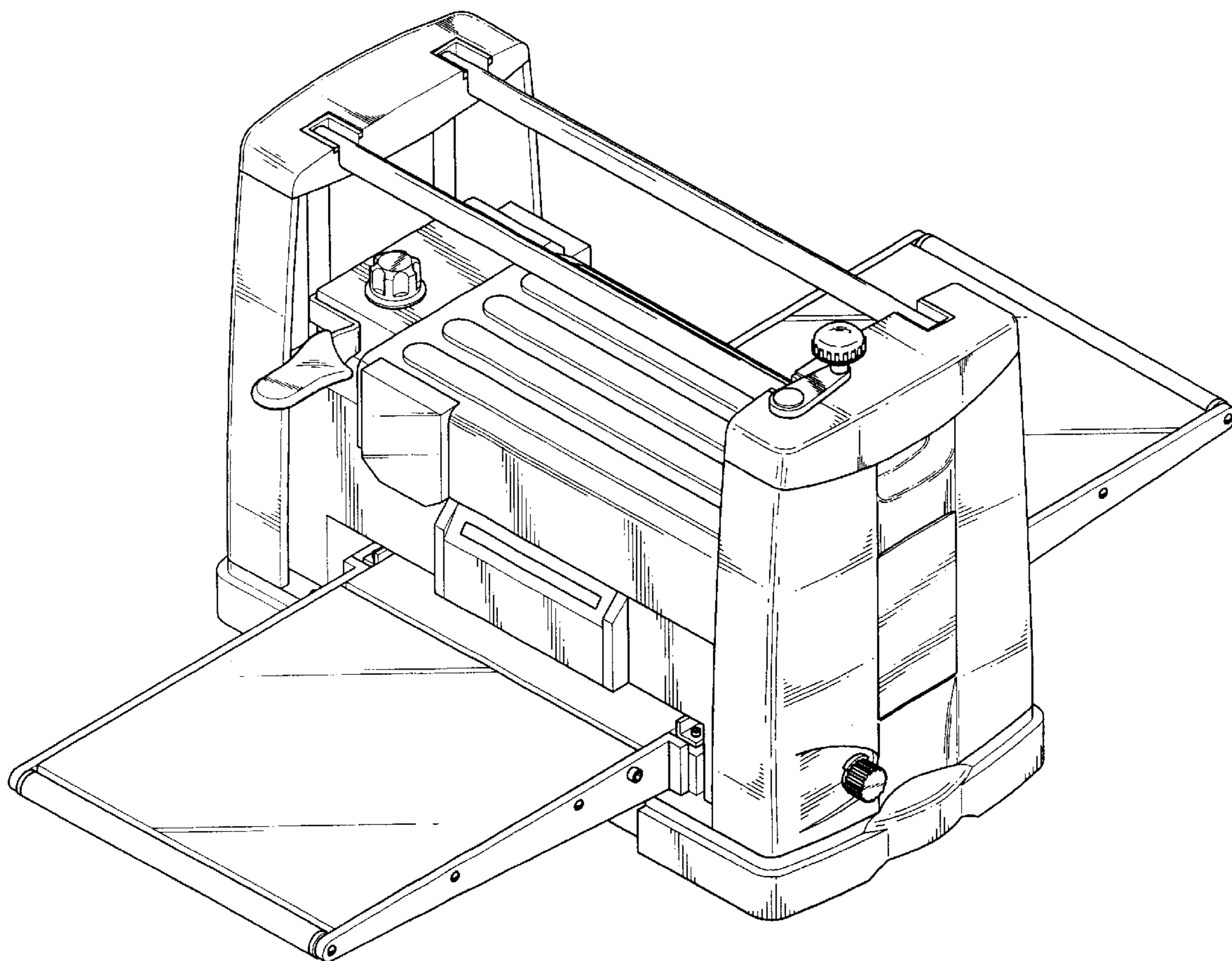
(57) **CLAIM**

The ornamental design for a planer, as shown and described.

DESCRIPTION

FIG. 1 is a front-right-top perspective view of a planer, showing my new design;
 FIG. 2 is a front elevational view thereof;
 FIG. 3 is a rear elevational view thereof;
 FIG. 4 is a left elevational view thereof;
 FIG. 5 is a right elevational view thereof;
 FIG. 6 is a top plan view thereof; and,
 FIG. 7 is a bottom plan view thereof.

1 Claim, 4 Drawing Sheets



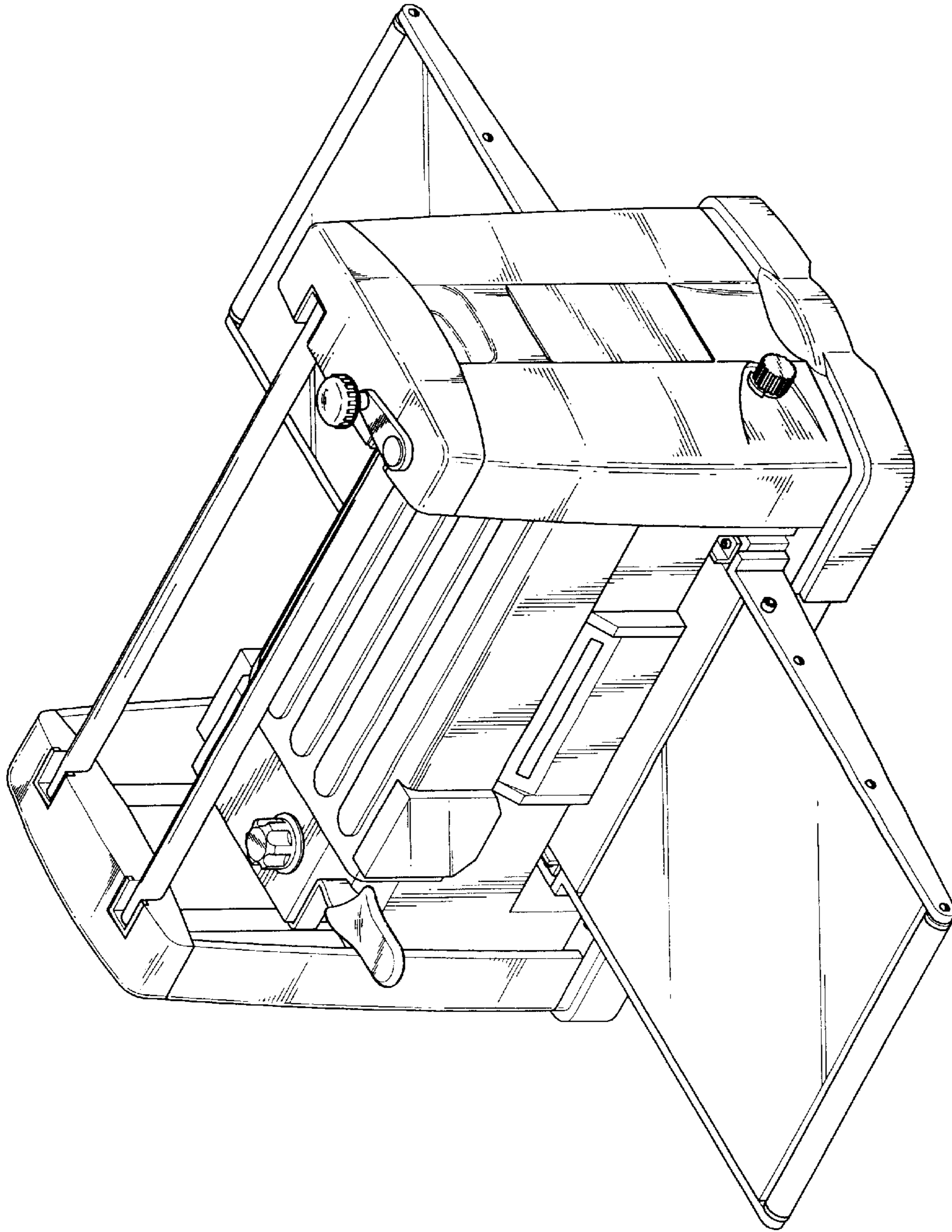


FIG. ONE

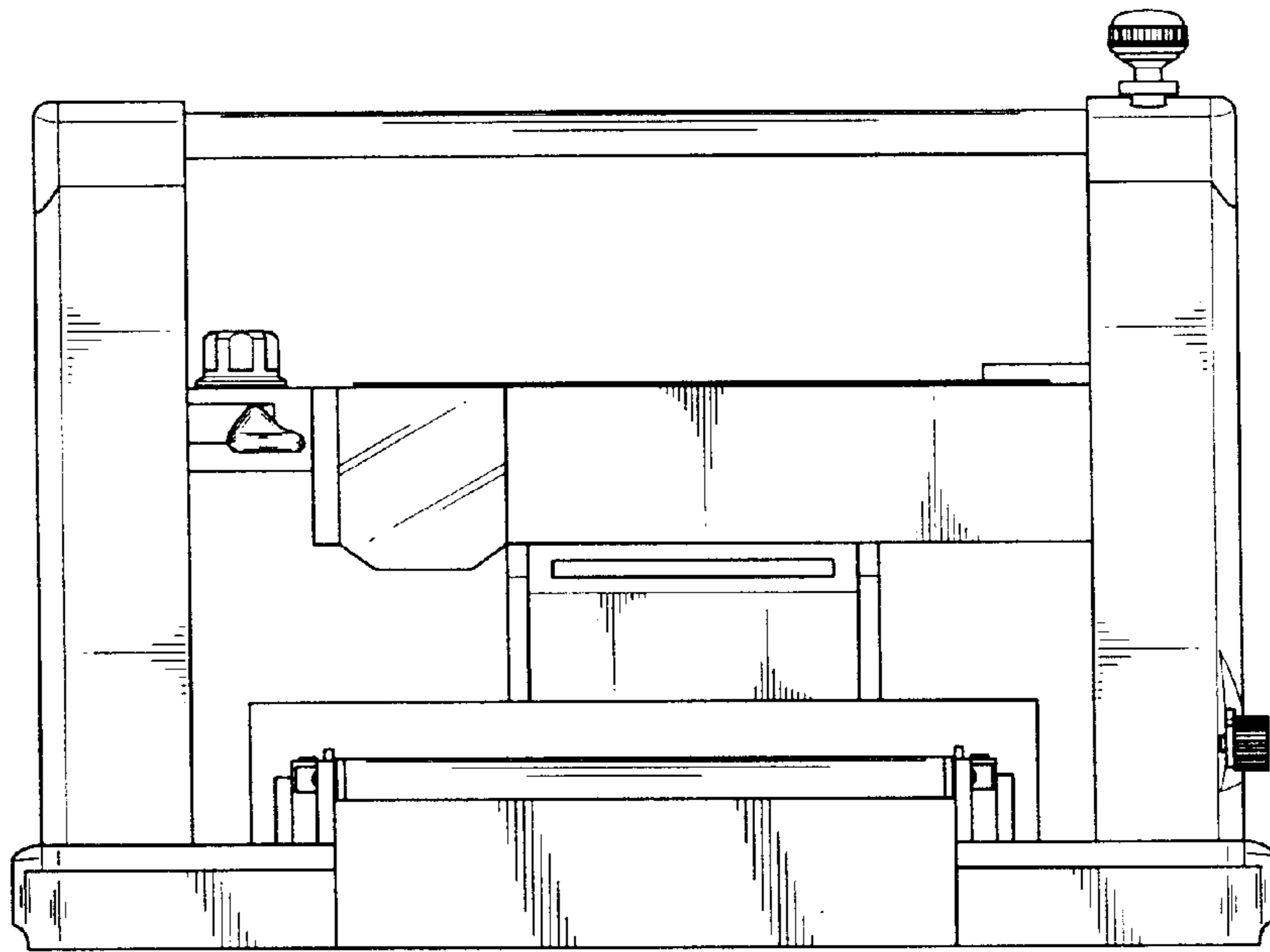


FIG. TWO

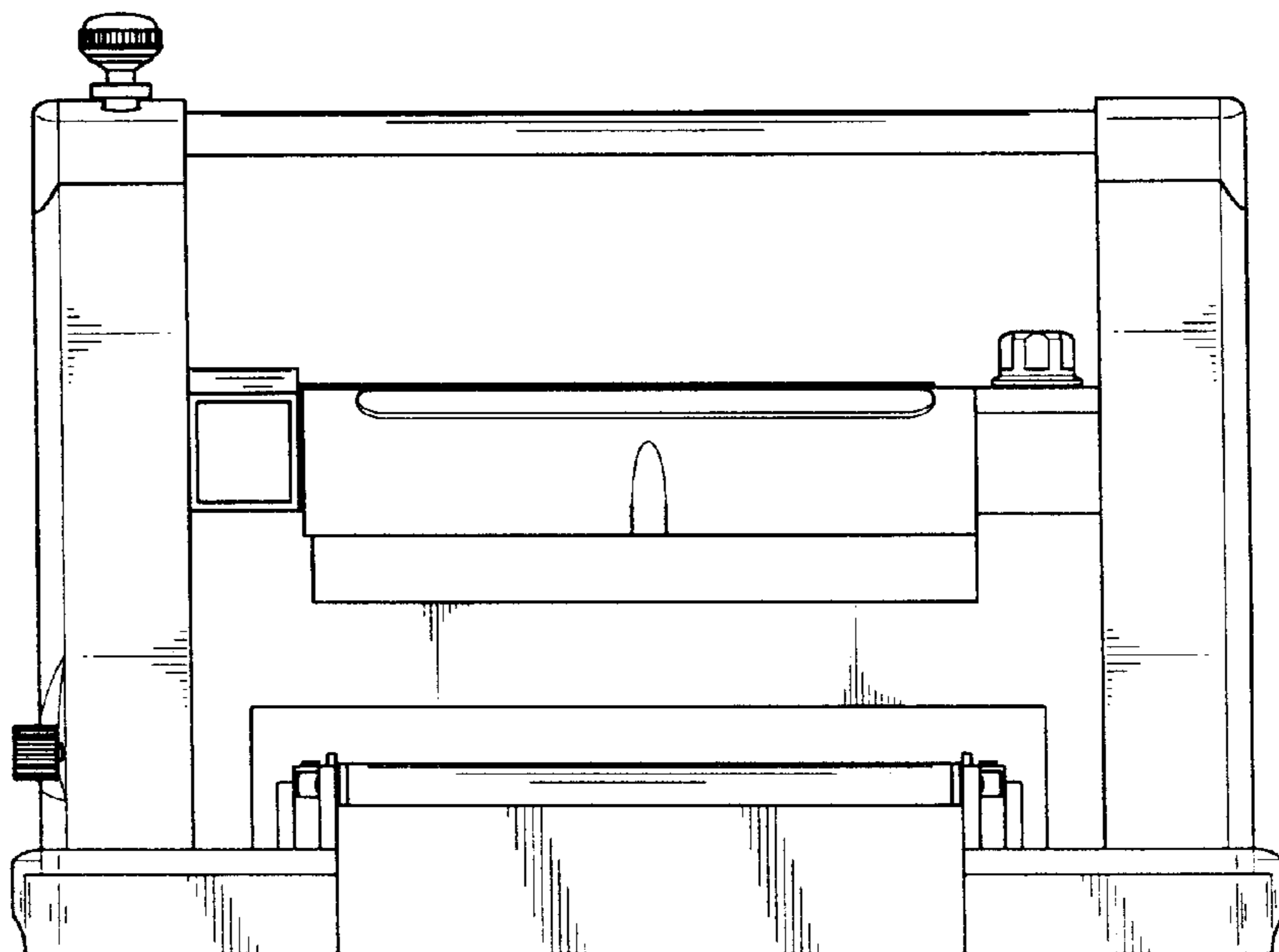


FIG. THREE

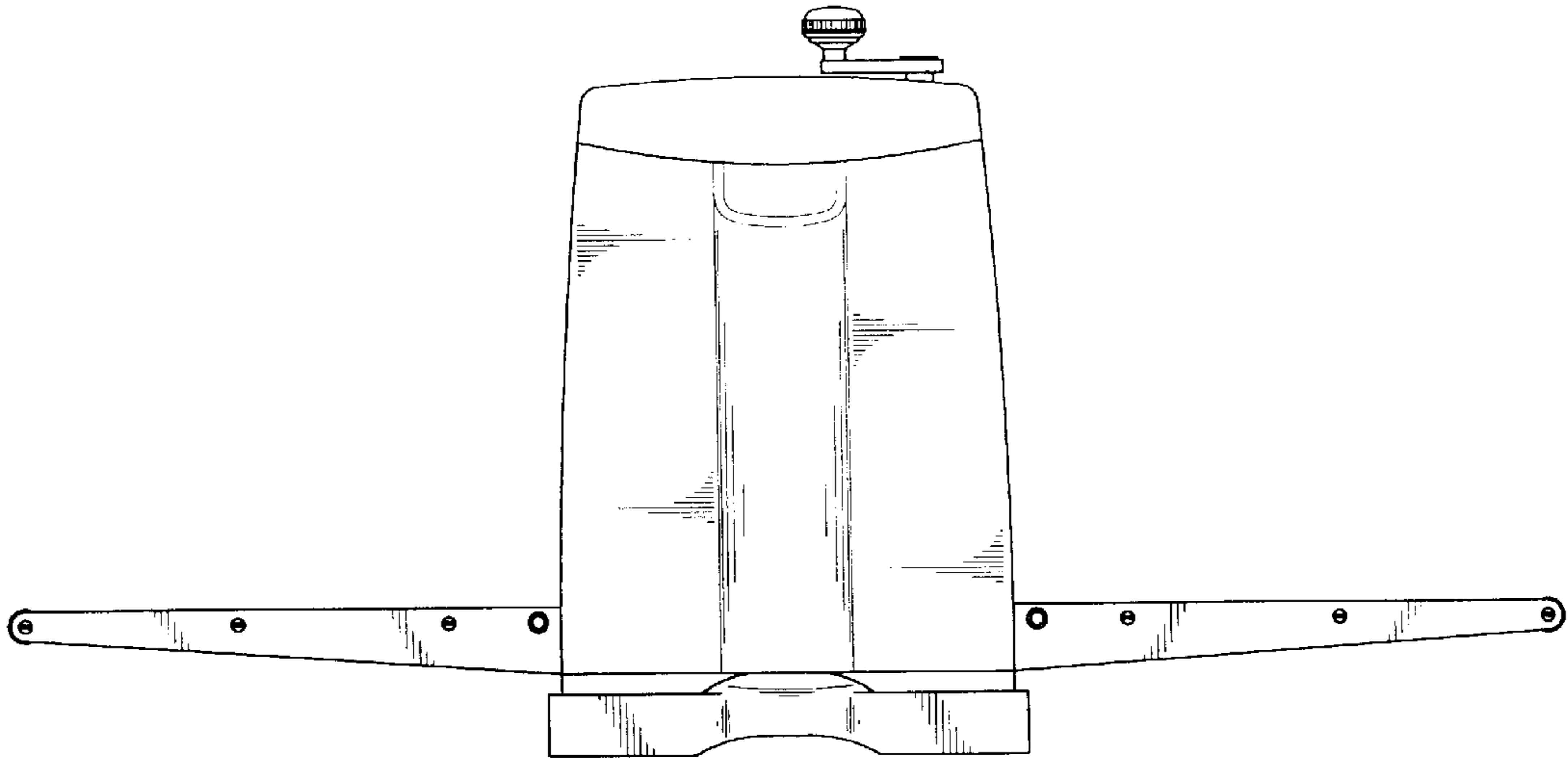


FIG. FOUR

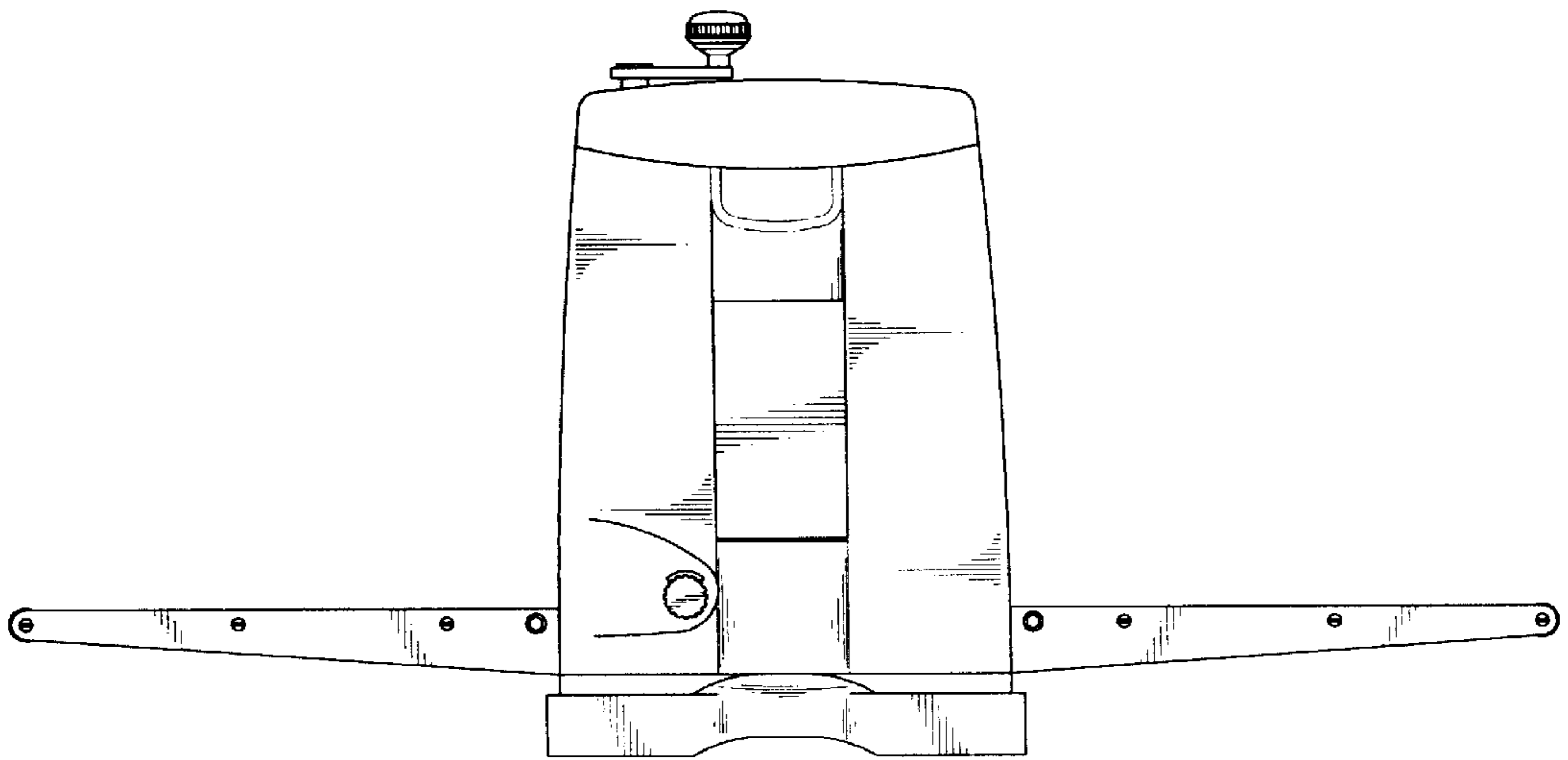


FIG. FIVE

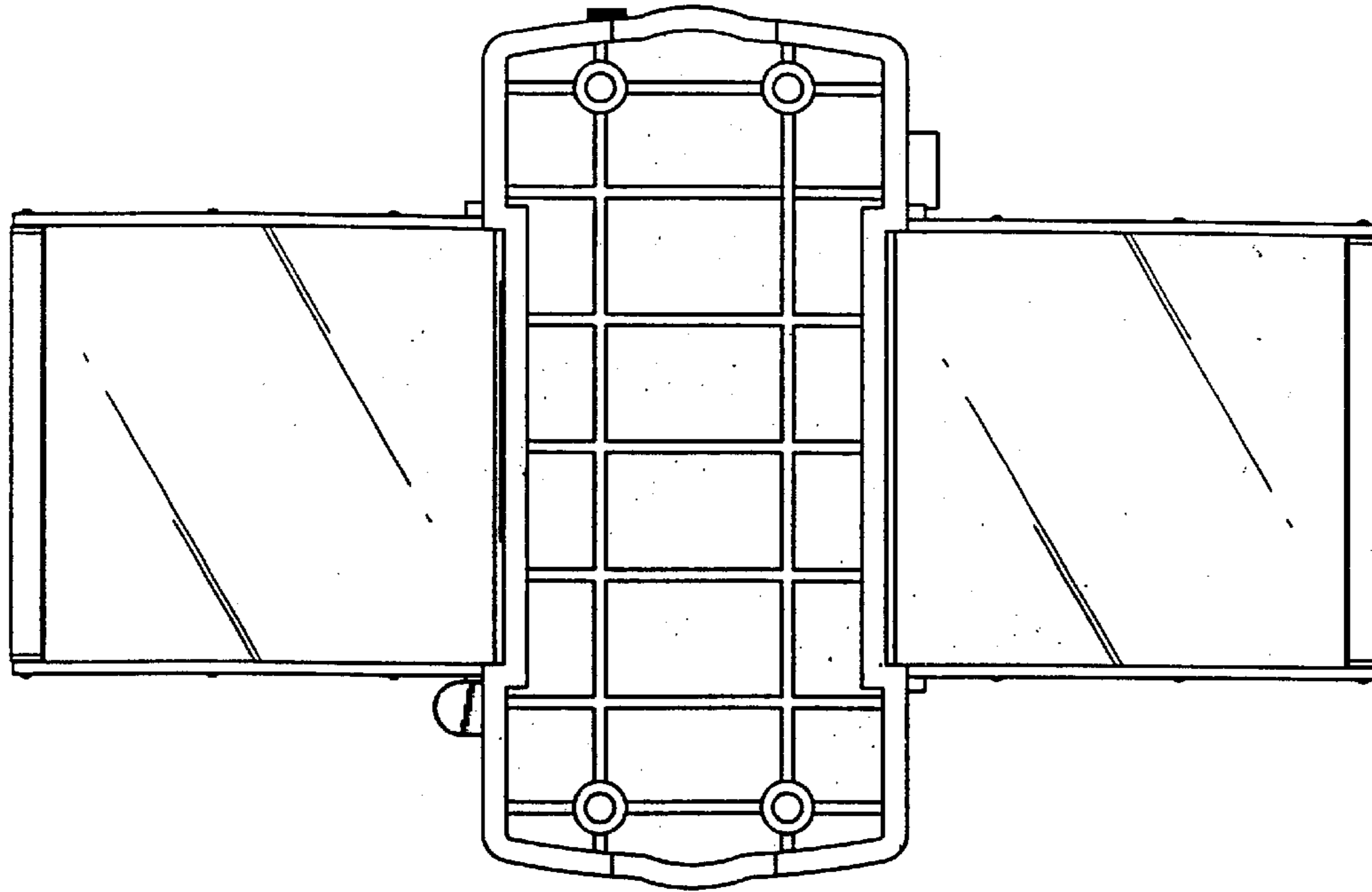


FIG. SEVEN

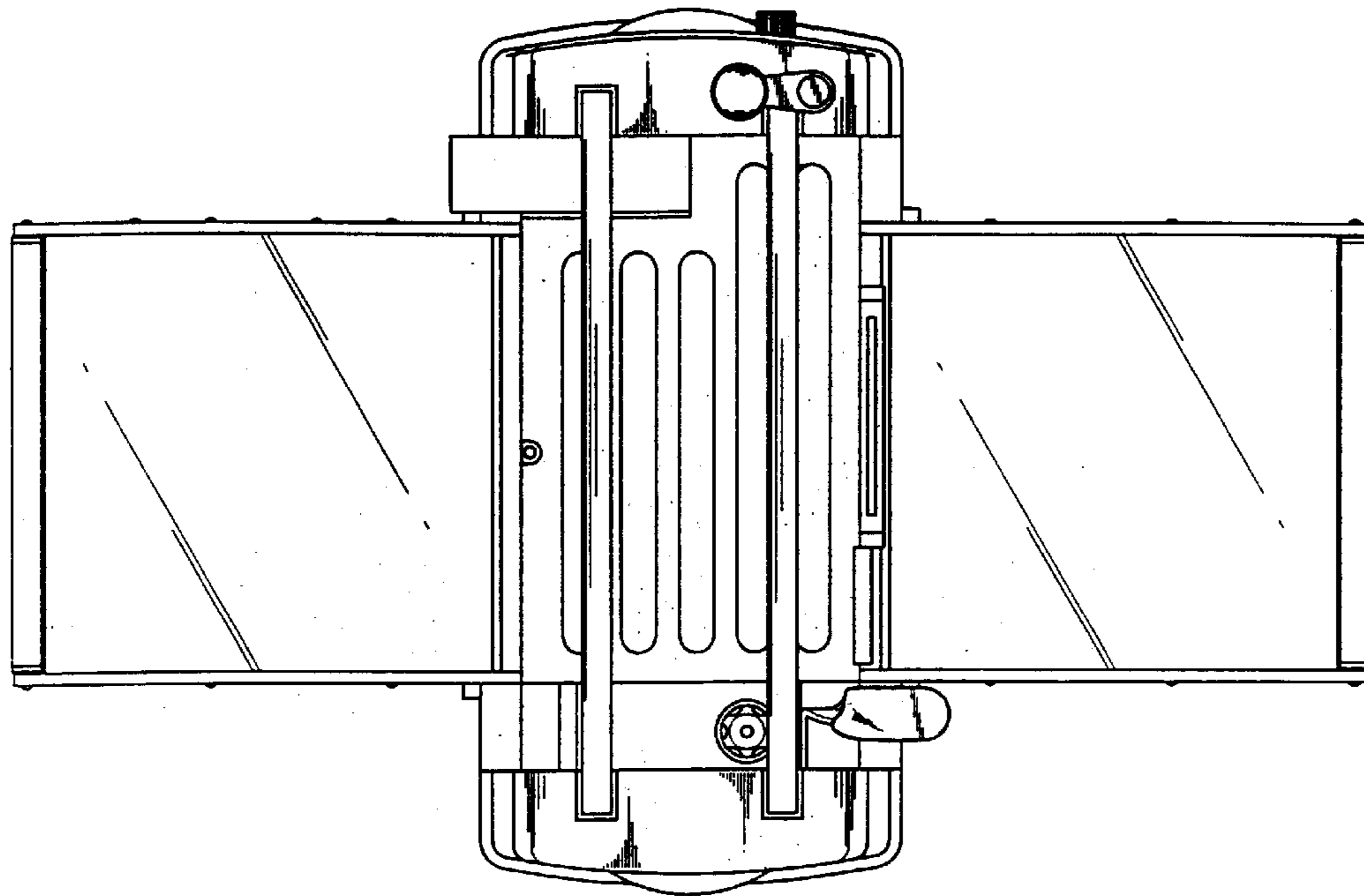


FIG. SIX