



US00D488172S

(12) **United States Design Patent**
Rubalcava et al.

(10) **Patent No.:** **US D488,172 S**

(45) **Date of Patent:** **** Apr. 6, 2004**

(54) **PRESSURE SLEEVE**

5,440,933 A * 8/1995 Brammer et al. 73/756
5,798,453 A * 8/1998 Brammer et al. 73/35.09

(75) Inventors: **Manuel P. Rubalcava**, San Jose, CA (US); **James A. McClung**, N. Canton, OH (US)

* cited by examiner

Primary Examiner—Lisa Lichtenstein
(74) *Attorney, Agent, or Firm*—Sand & Sebolt

(73) Assignee: **Sequa Can Machinery, Inc.**, Canton, OH (US)

(57) **CLAIM**

(**) Term: **14 Years**

The ornamental design for a pressure sleeve, as shown and described.

(21) Appl. No.: **29/179,757**

DESCRIPTION

(22) Filed: **Apr. 15, 2003**

(51) **LOC (7) Cl.** **15-09**

(52) **U.S. Cl.** **D15/123**

(58) **Field of Search** D15/123; 72/349,
72/350; 73/35.09, 756

FIG. 1 is a side perspective view of a pressure sleeve showing our new design;
FIG. 2 is a front elevational view thereof, the opposite side being identical thereto;
FIG. 3 is a side elevational view thereof, the opposite side being identical thereto;
FIG. 4 is a top plan view thereof; and,
FIG. 5 is a bottom plan view thereof.

(56) **References Cited**

U.S. PATENT DOCUMENTS

4,535,618 A 8/1985 Bulso, Jr. et al.

1 Claim, 2 Drawing Sheets

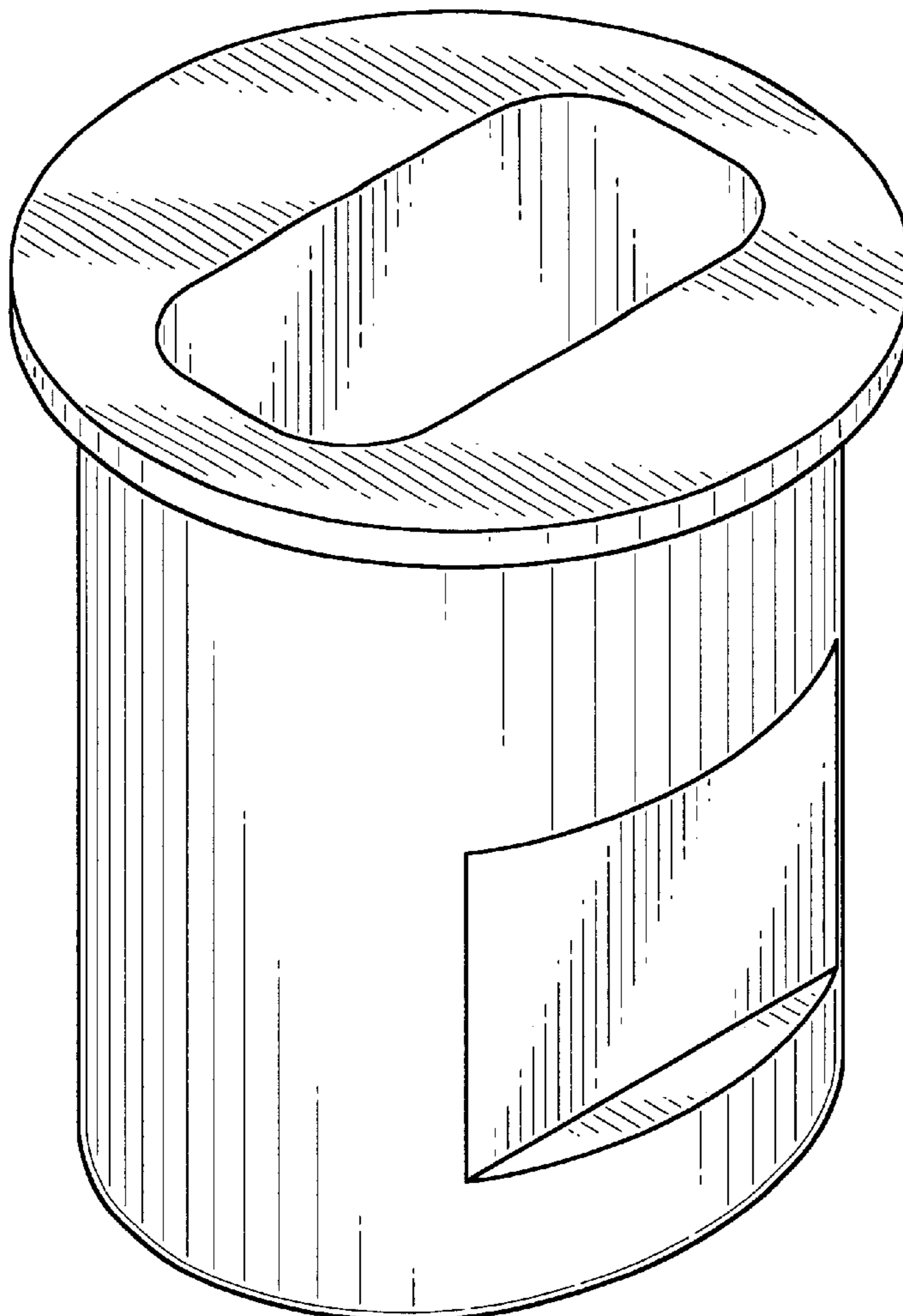


FIG-1

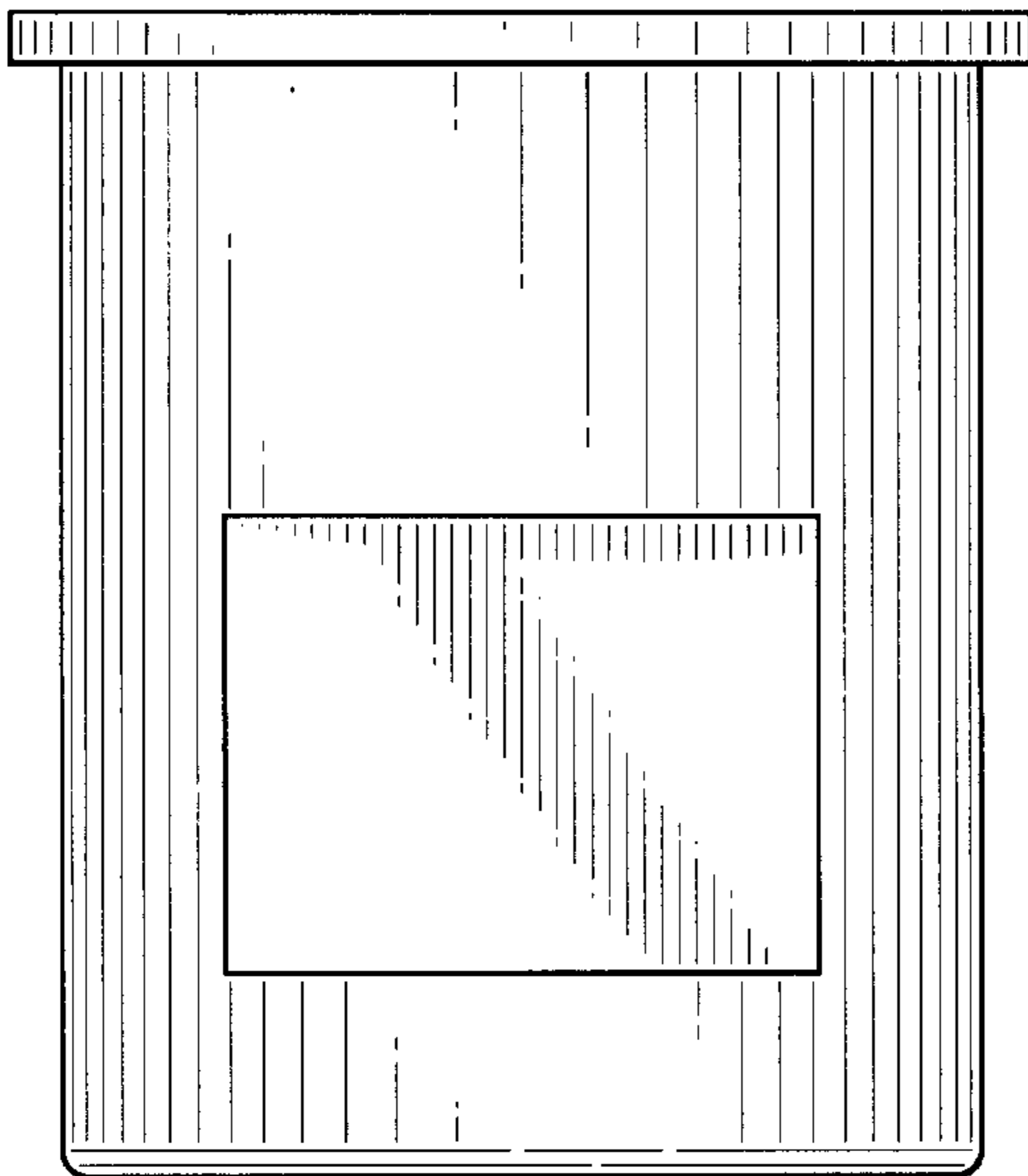
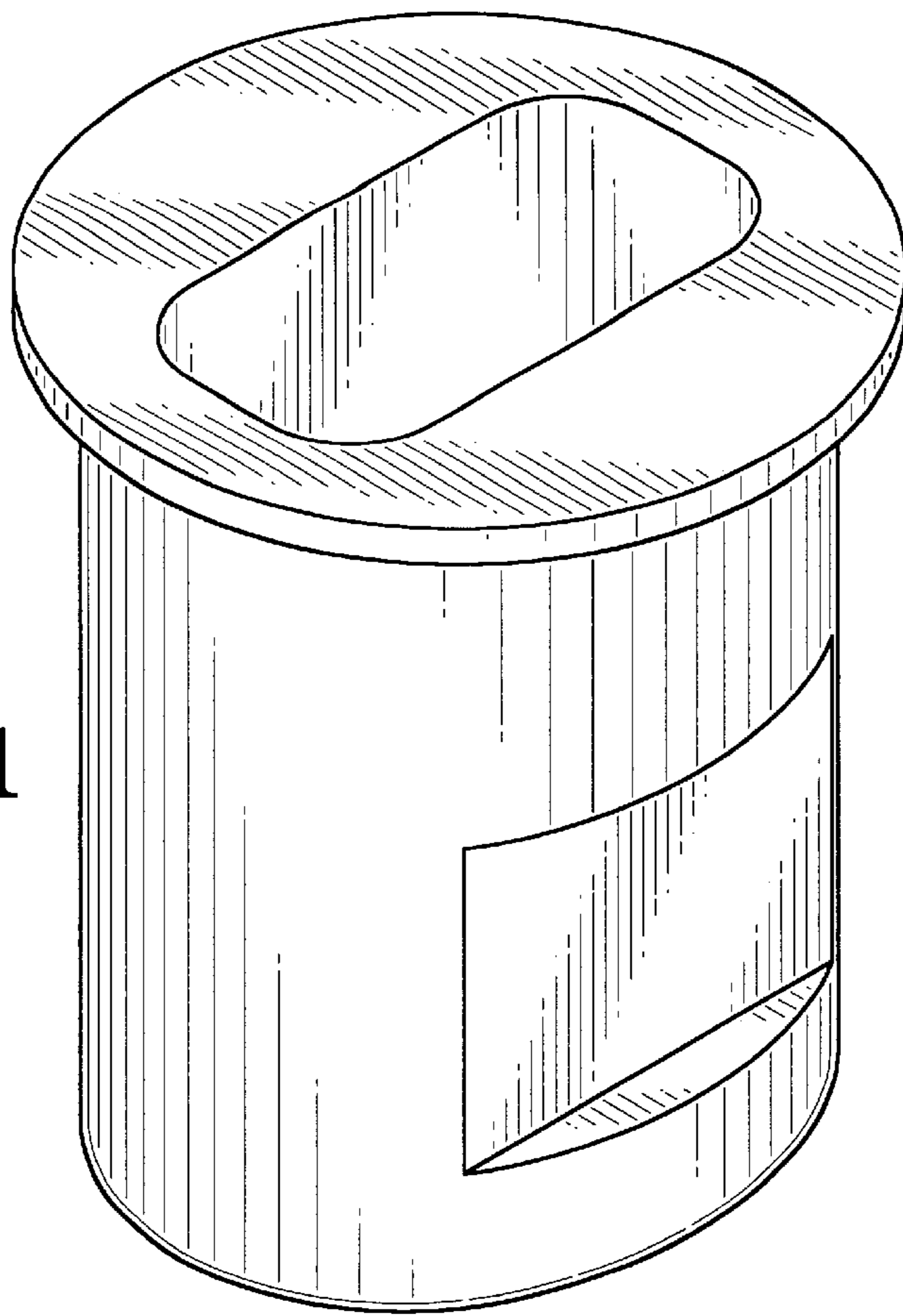


FIG-2

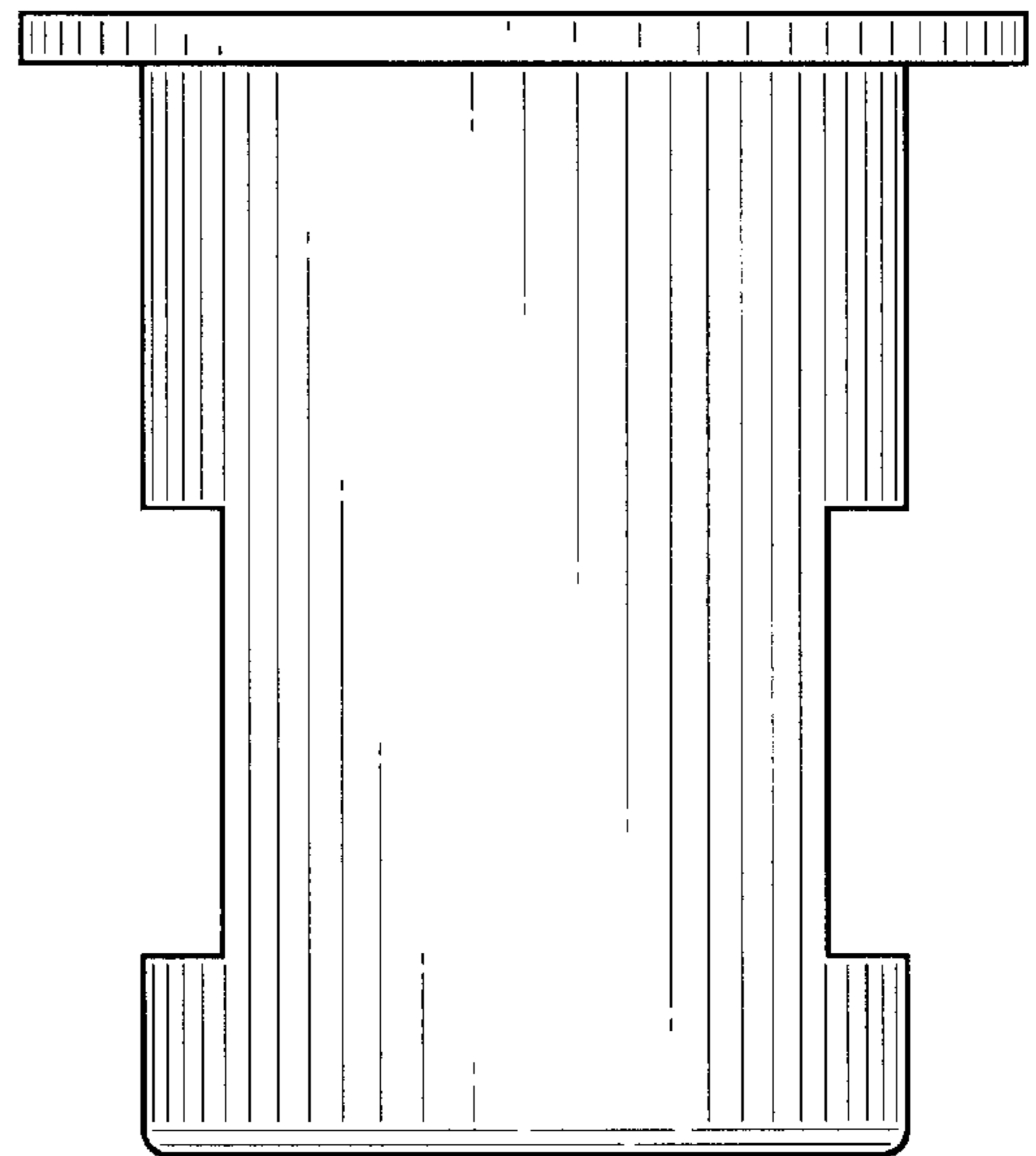


FIG-3

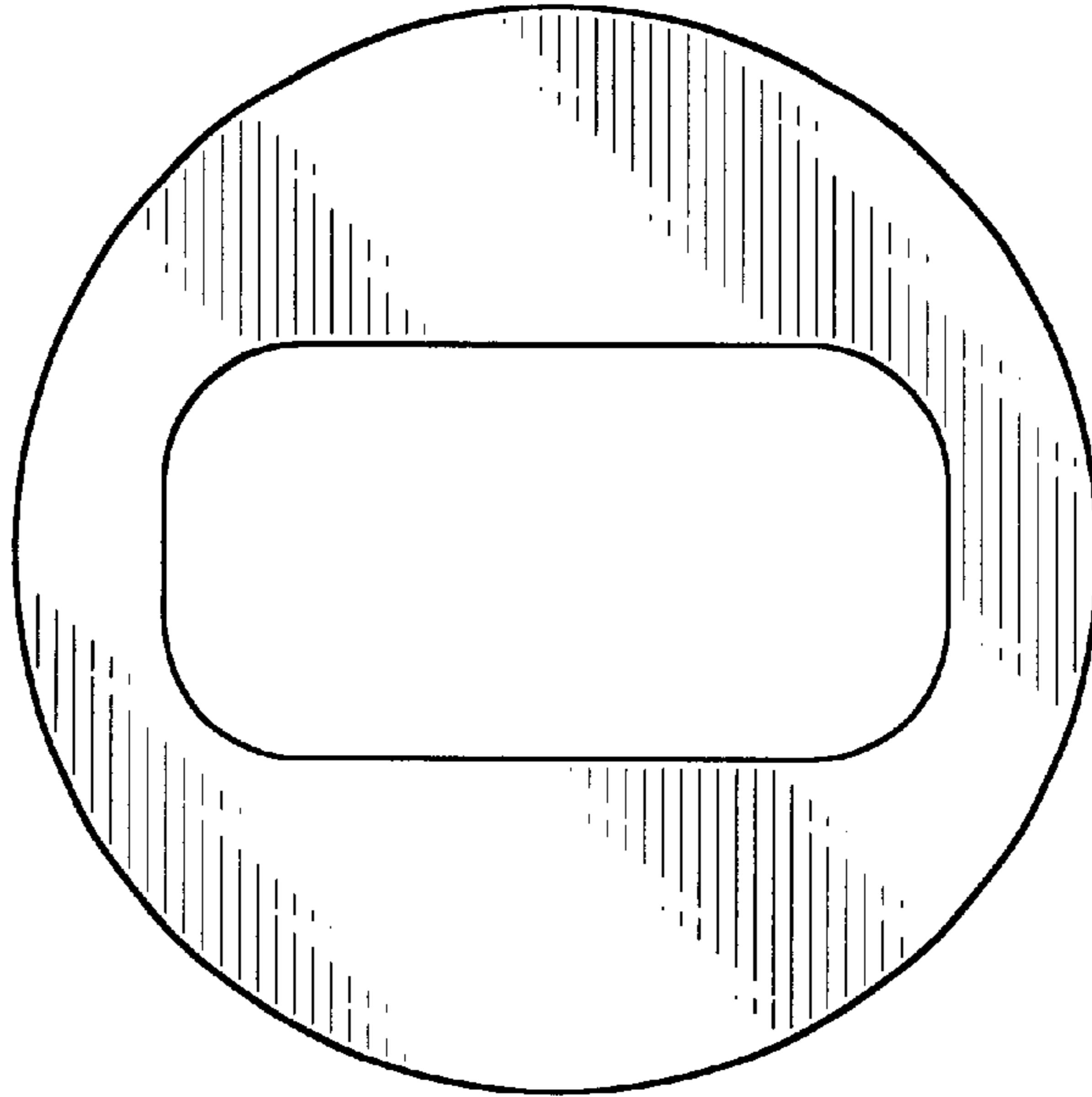


FIG-4

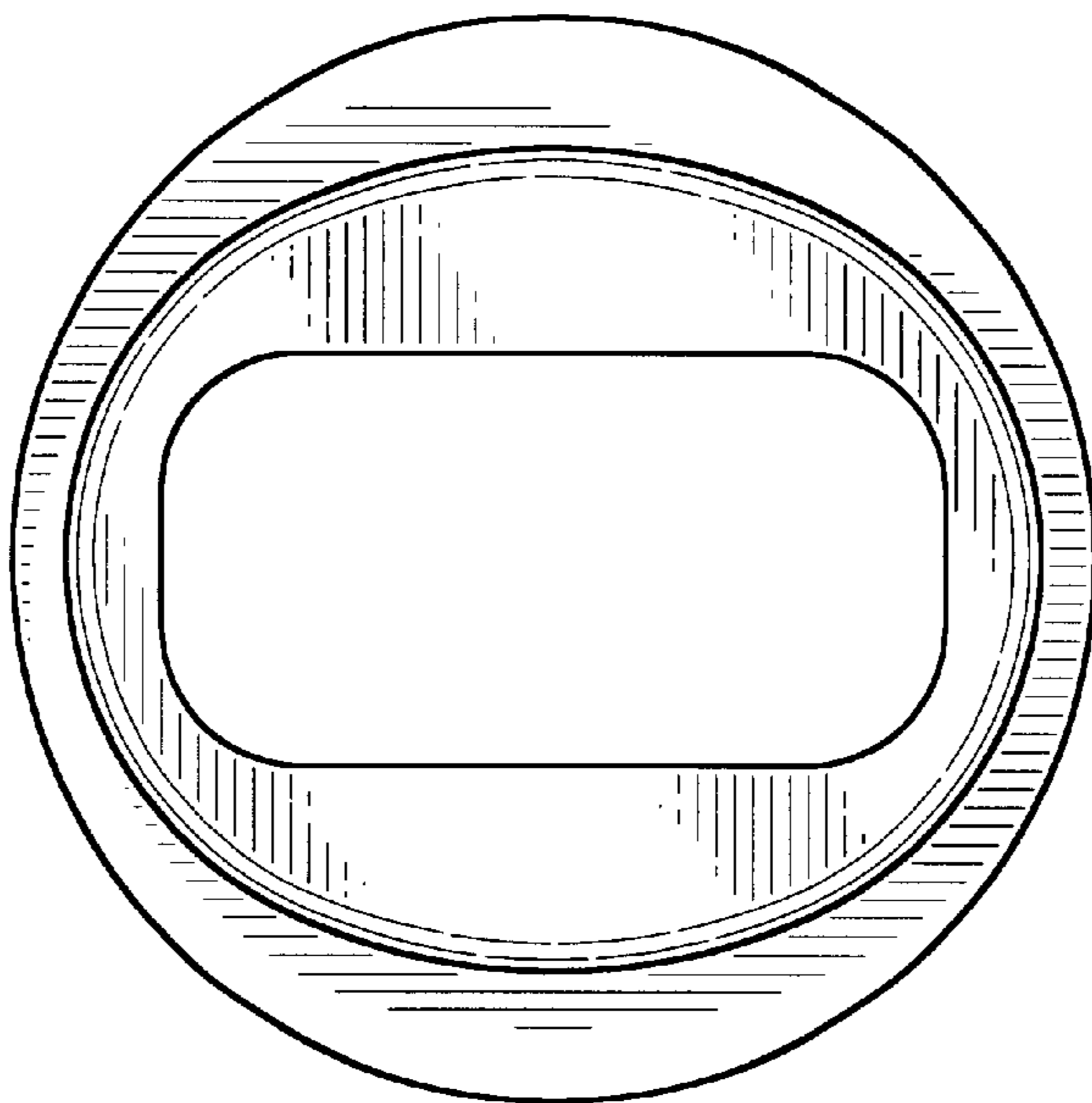


FIG-5