



US00D488170S

(12) **United States Design Patent**
Sollami

(10) **Patent No.:** **US D488,170 S**

(45) **Date of Patent:** **** Apr. 6, 2004**

(54) **QUICK CHANGE BIT HOLDER WITH HARDENED INSERT**

6,244,665 B1 * 6/2001 Bise et al. 299/106
6,364,420 B1 * 4/2002 Sollami 299/106

(75) Inventor: **Phillip Sollami**, Herrin, IL (US)

* cited by examiner

(73) Assignee: **The Sollami Company**, Herrin, IL (US)

Primary Examiner—Philip S. Hyder

(74) *Attorney, Agent, or Firm*—Patnaude & Videbeck

(**) Term: **14 Years**

(57) **CLAIM**

(21) Appl. No.: **29/176,875**

The ornamental design for a quick change bit holder with hardened insert, as shown and described.

(22) Filed: **Mar. 3, 2003**

DESCRIPTION

Related U.S. Application Data

(63) Continuation-in-part of application No. 29/131,378, filed on Oct. 23, 2000, now abandoned, and a division of application No. 29/144,652, filed on Jun. 22, 2001.

FIG. 1 is a right side elevational view of the quick change bit holder with hardened insert, showing my new design, FIG. 2 is a back side elevational view thereof, FIG. 3 is a left side elevational view thereof, FIG. 4 is a front elevational view thereof; FIG. 5 is a bottom plan view thereof, FIG. 6 is a top plan view thereof, FIG. 7 is a right side elevational view of a second embodiment of the quick change bit holder with hardened insert, the only difference being the shape of the conical nose with all other features being the same, FIG. 8 is a back side elevational view of the second embodiment thereof, FIG. 9 is a left side elevational view of the second embodiment thereof, FIG. 10 is a front elevational view of the second embodiment thereof, FIG. 11 is a bottom plan view of the second embodiment thereof; and, FIG. 12 is a top plan view of the second embodiment thereof.

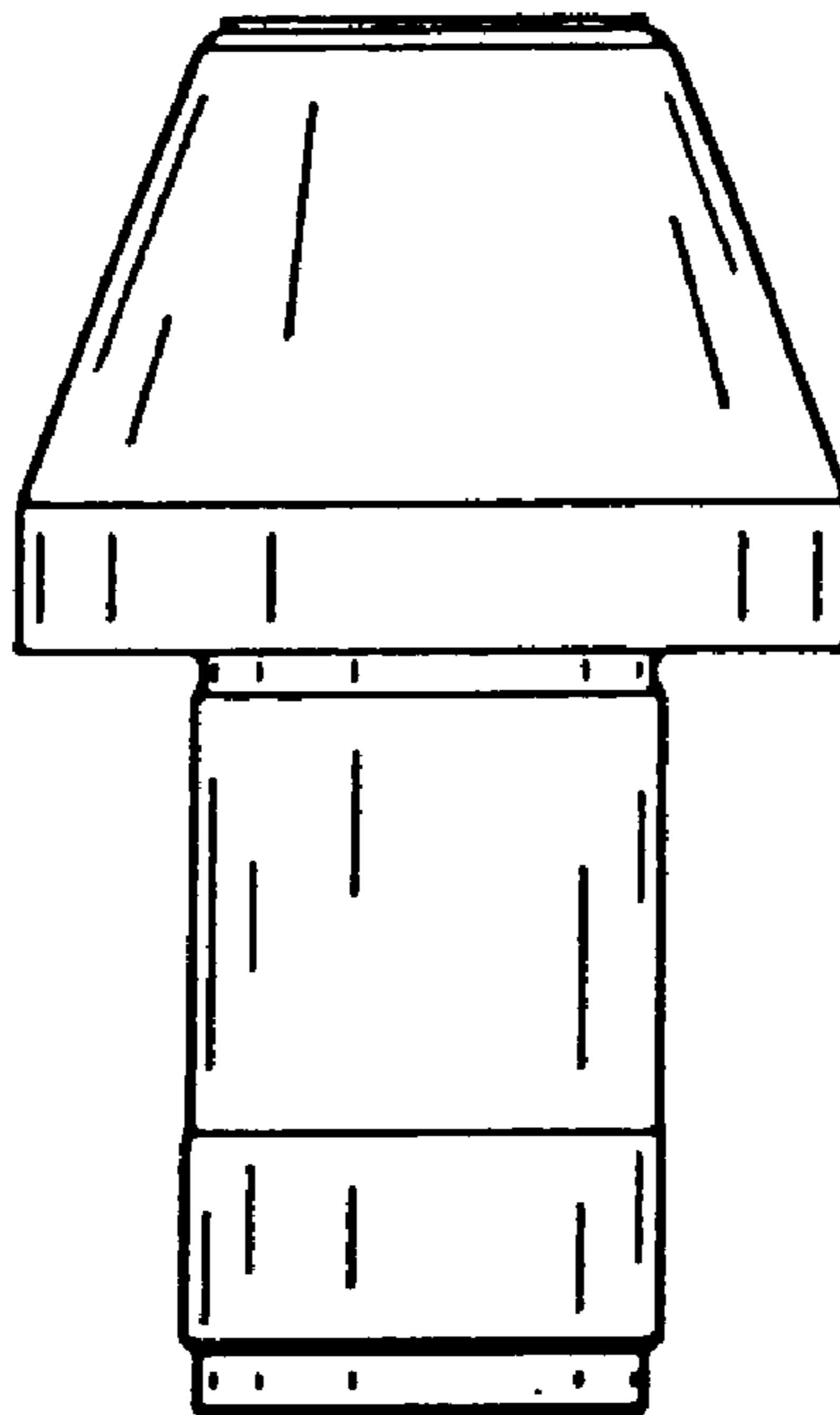
(51) **LOC (7) Cl.** **15-04**
(52) **U.S. Cl.** **D15/21; D15/140**
(58) **Field of Search** **D15/21, 139, 140; 299/86, 90, 104, 106, 109, 110, 102**

(56) **References Cited**

U.S. PATENT DOCUMENTS

4,302,053 A * 11/1981 Roepke et al. 299/110
4,844,550 A * 7/1989 Beebe 299/107
4,915,455 A * 4/1990 O'Neill et al. 299/102
4,944,560 A * 7/1990 Osterwise 299/106
5,106,166 A * 4/1992 O'Neill 299/104
5,374,111 A * 12/1994 Den Besten et al. 299/106
5,725,283 A * 3/1998 O'Neill 299/104
D420,013 S * 2/2000 Warren et al. D15/21
6,099,081 A * 8/2000 Warren et al. 299/104
6,113,195 A * 9/2000 Mercier et al. 299/104

1 Claim, 2 Drawing Sheets



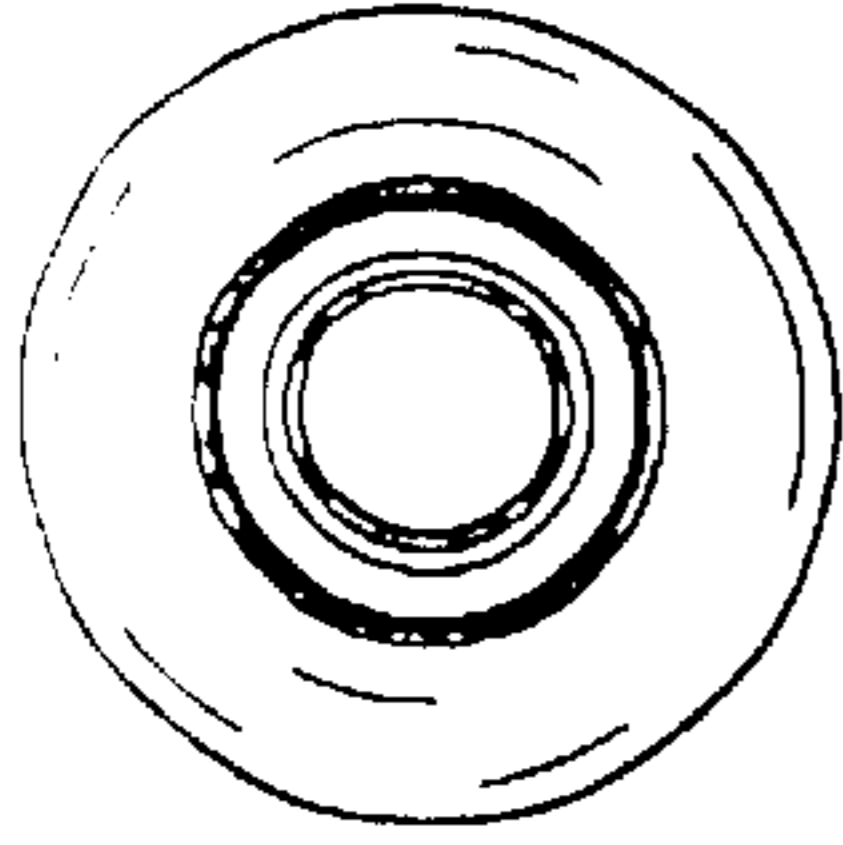


FIG. 6

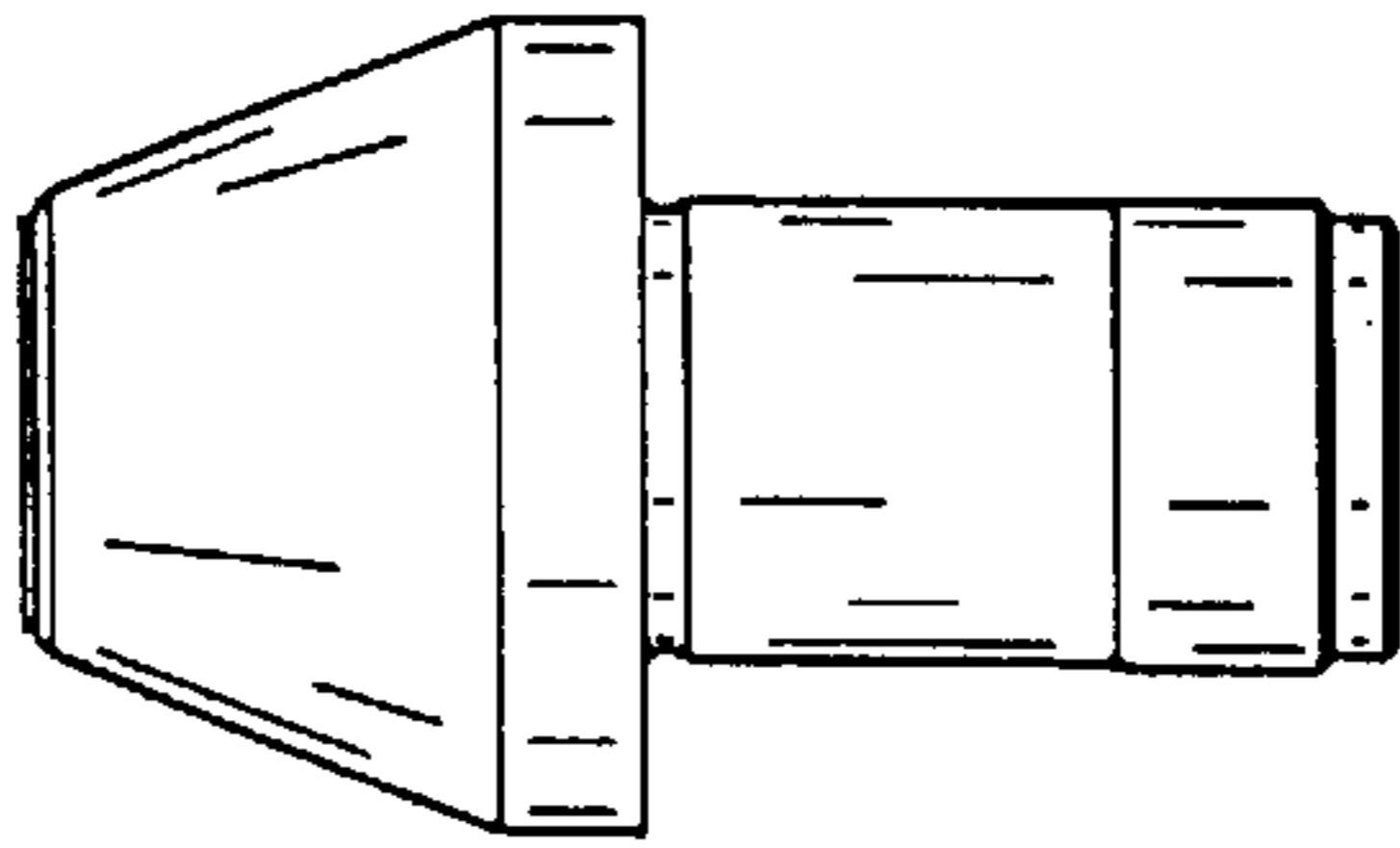


FIG. 1

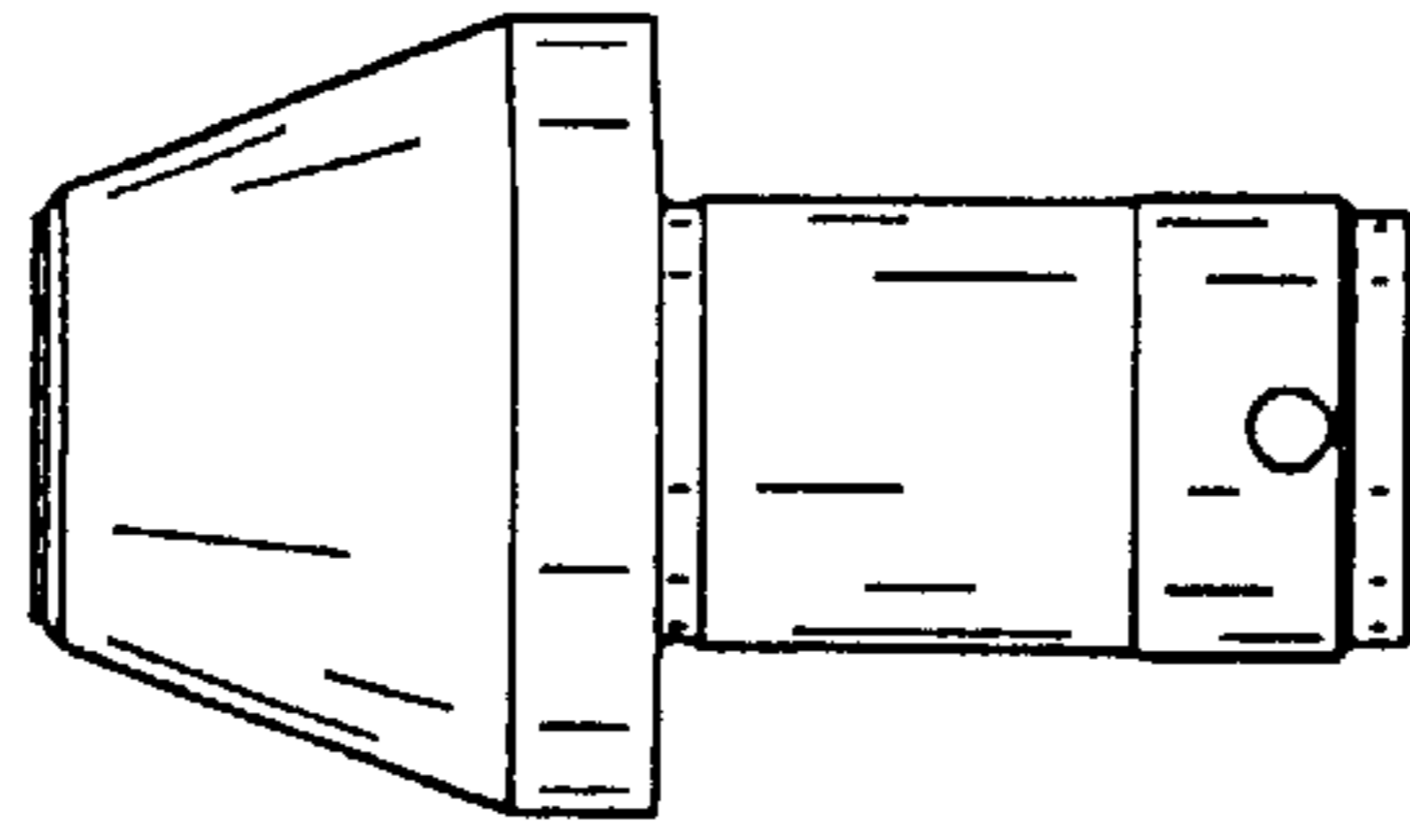


FIG. 2

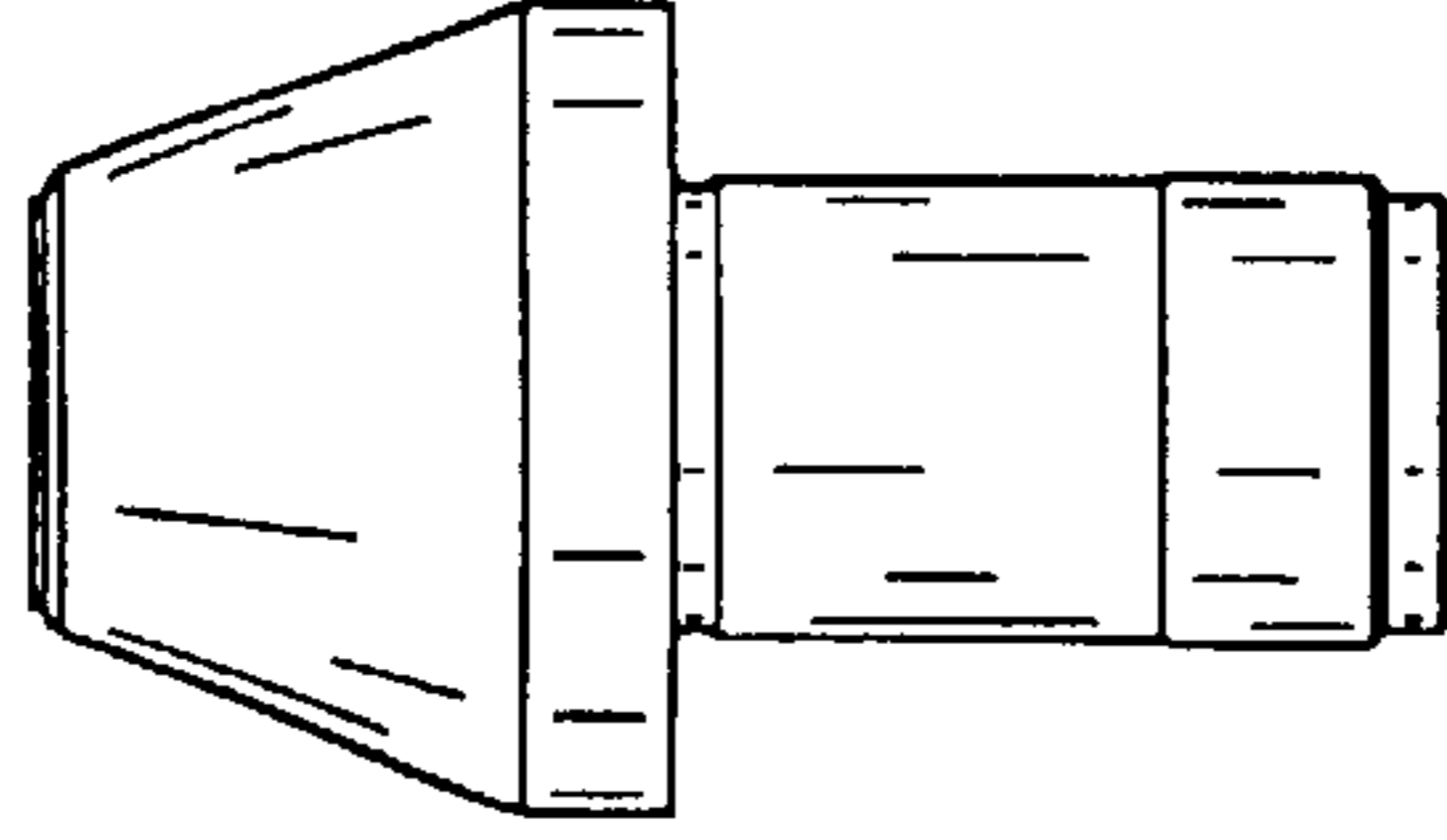


FIG. 3

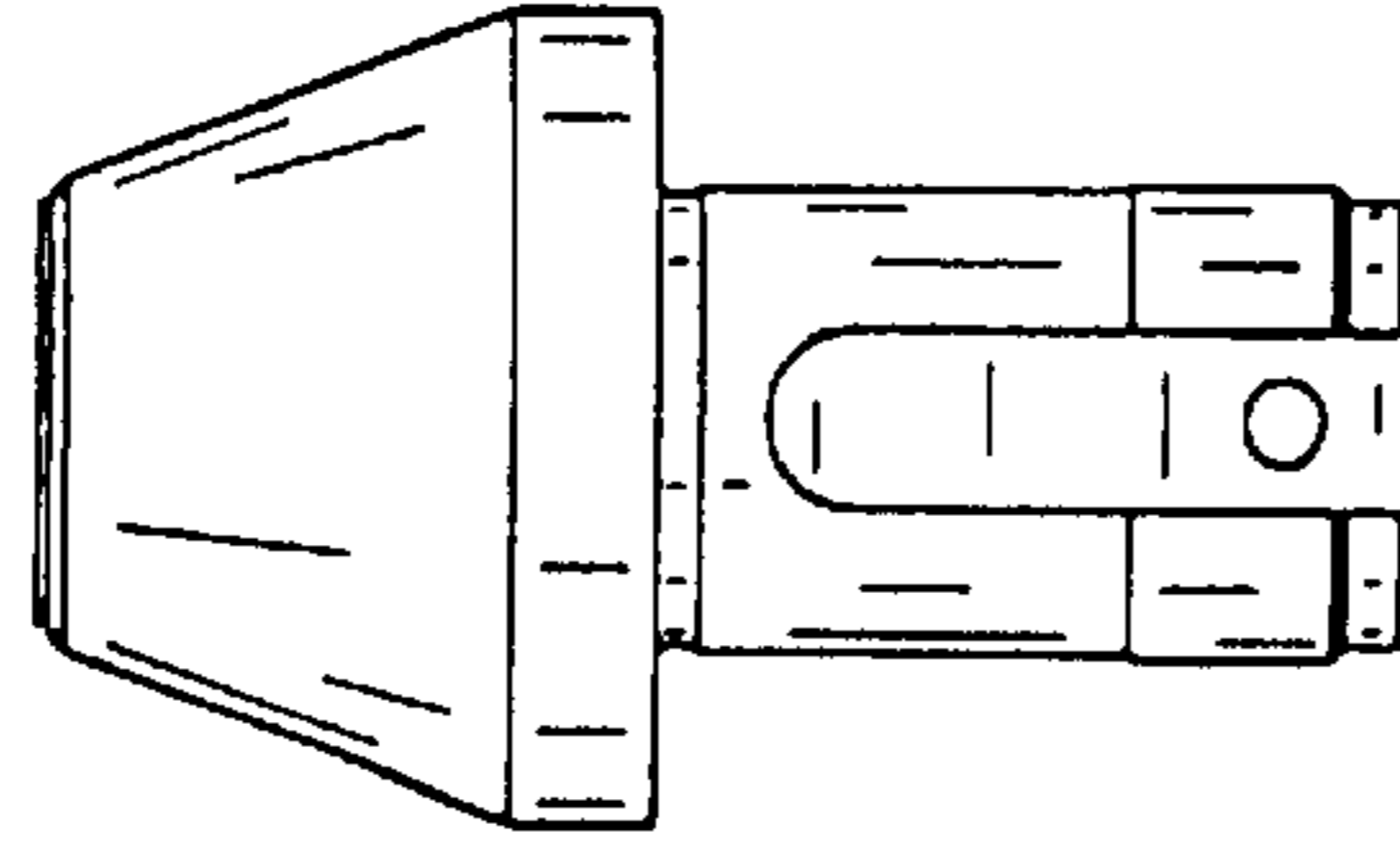


FIG. 4

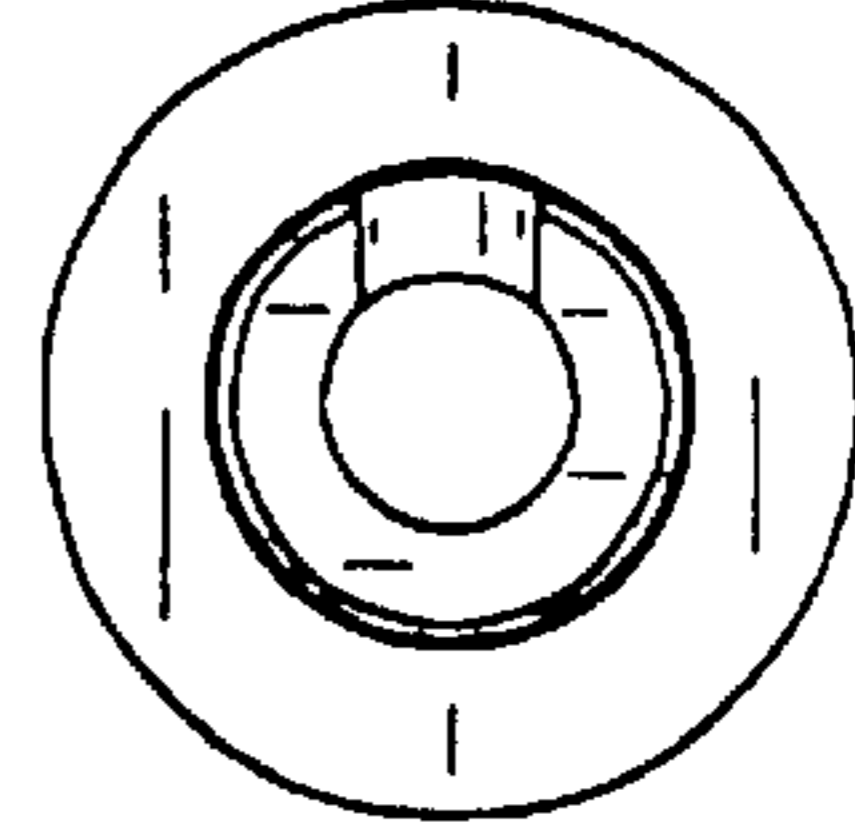


FIG. 5

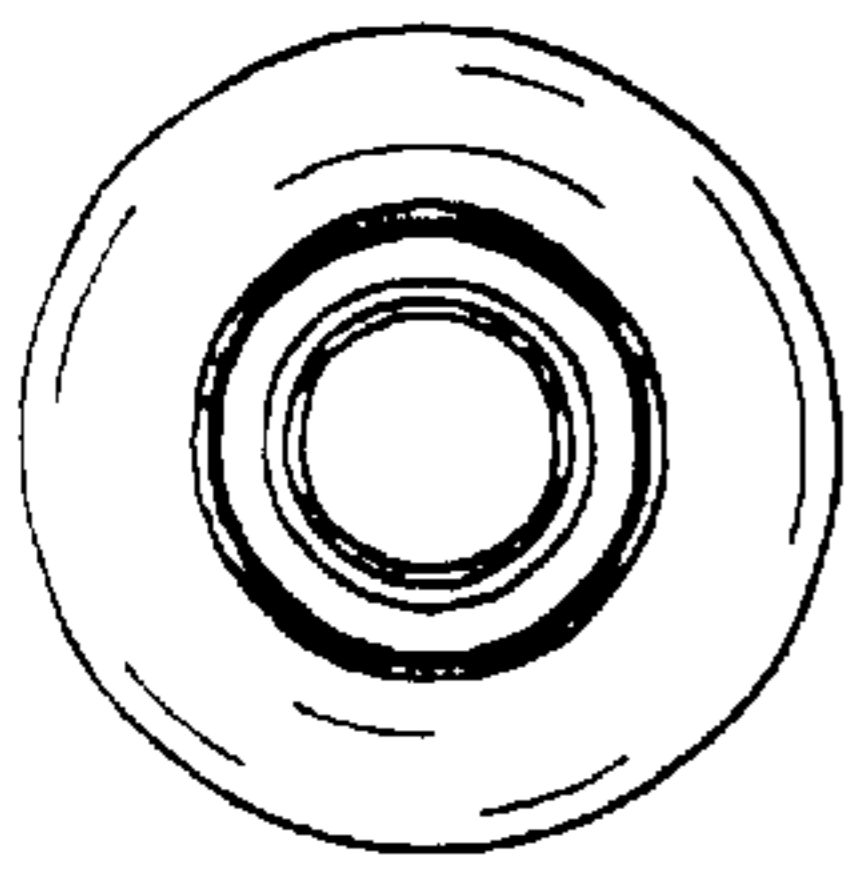


FIG. 12

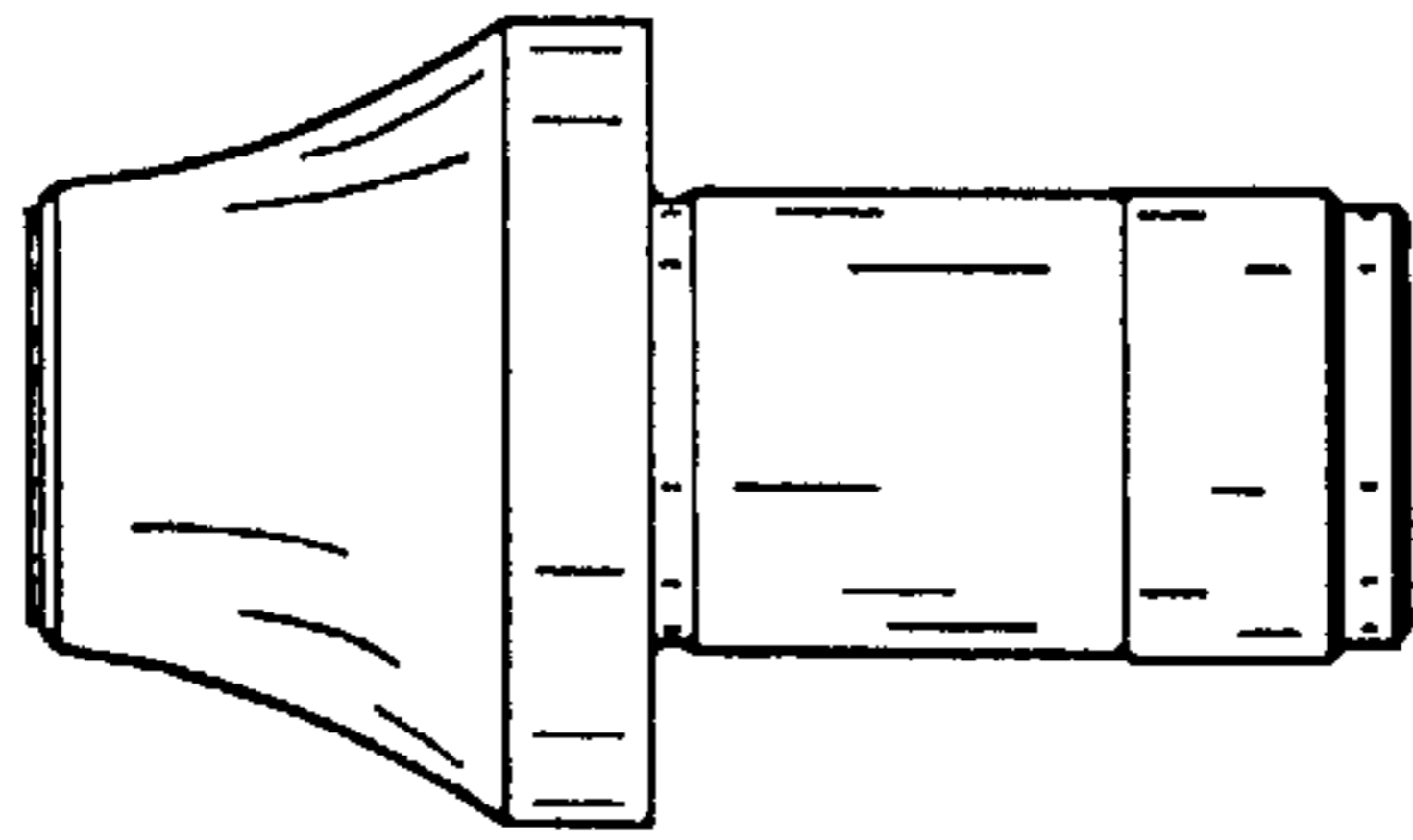


FIG. 7

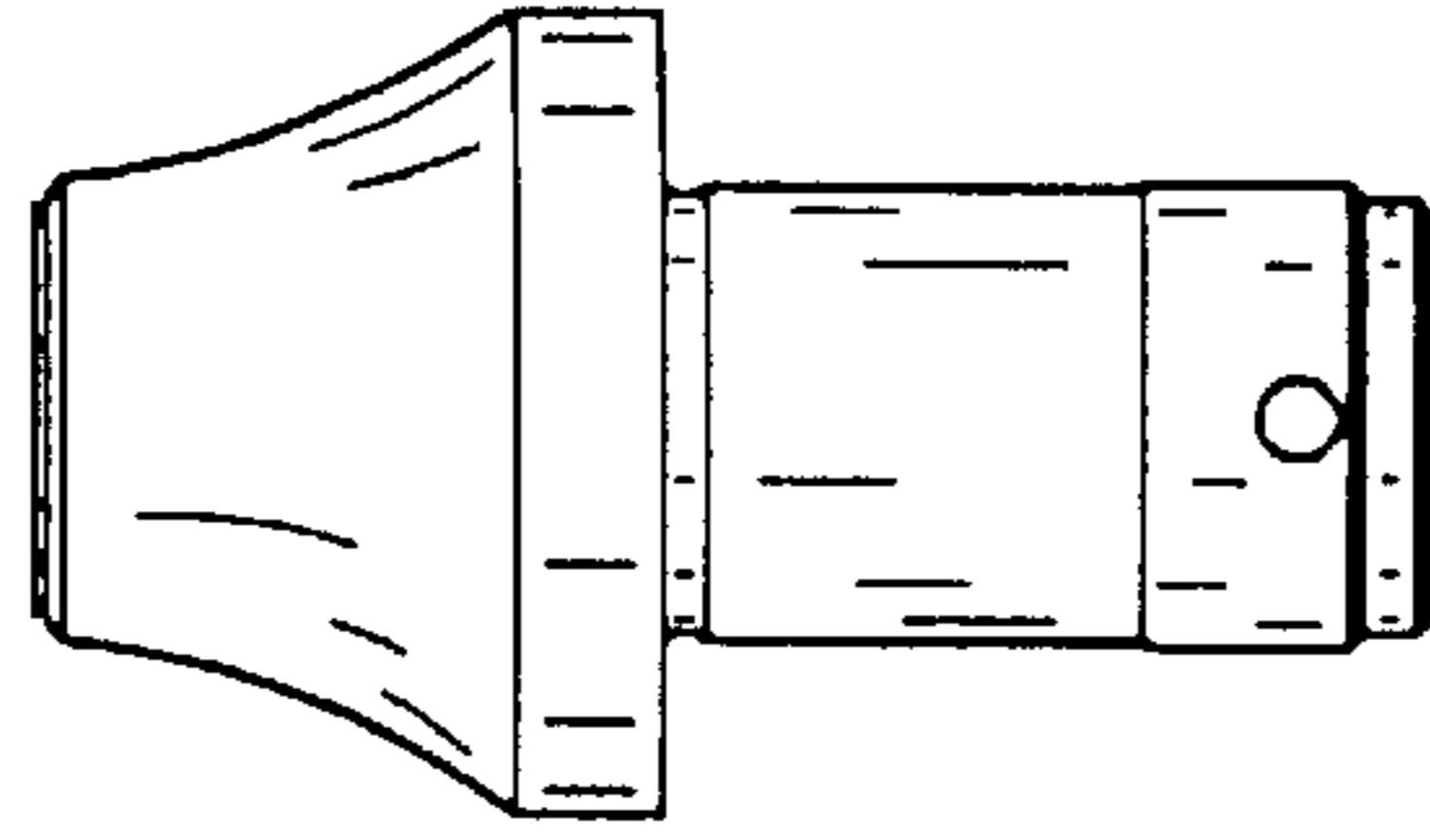


FIG. 8

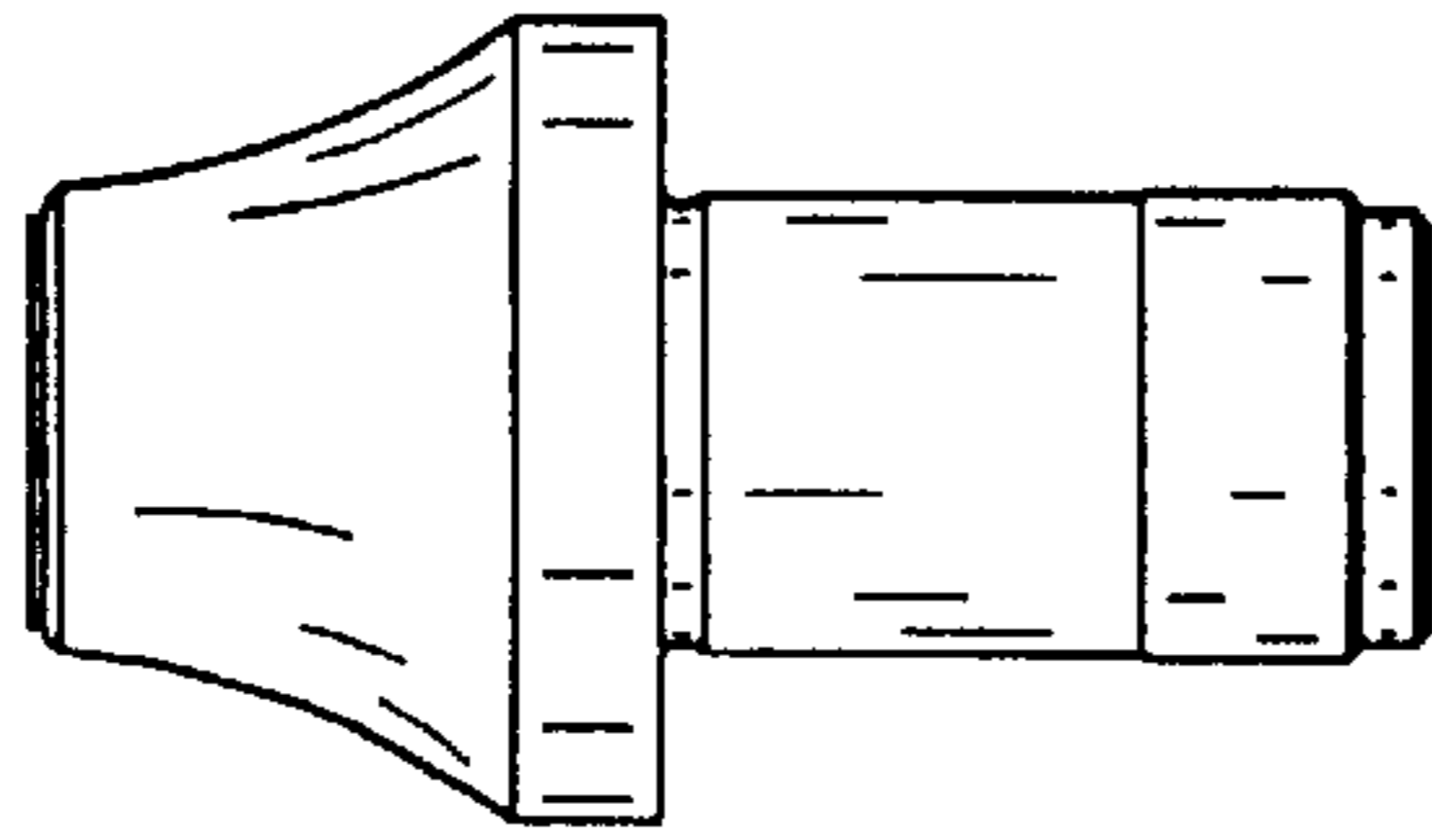


FIG. 9

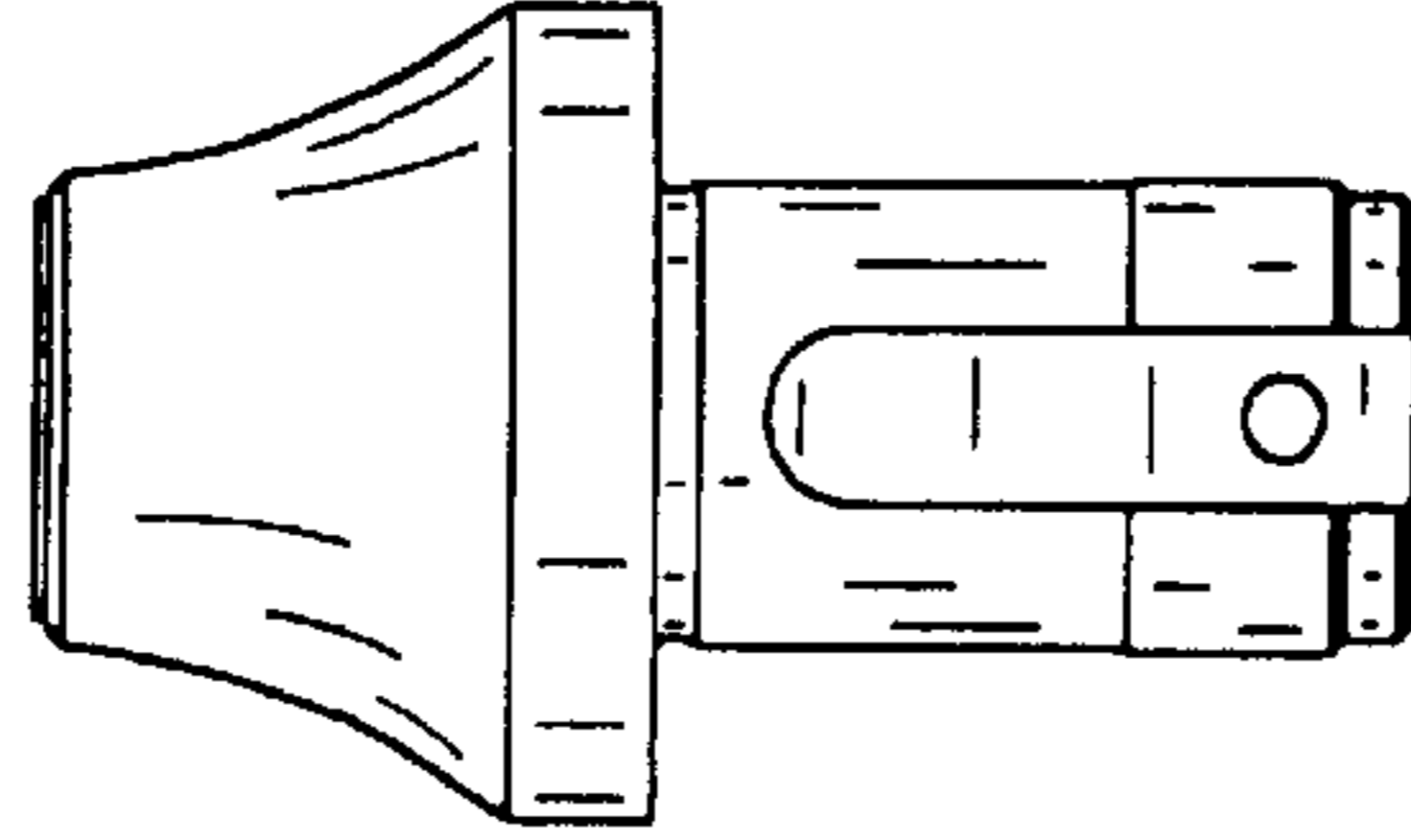


FIG. 10

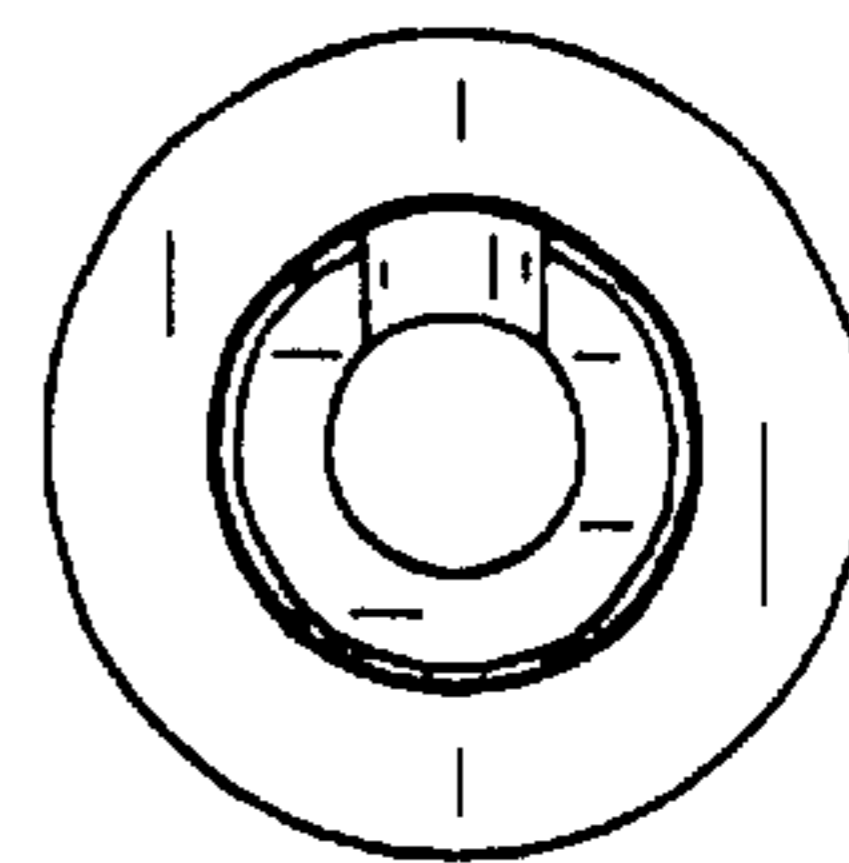


FIG. 11