



US00D488169S

(12) **United States Design Patent**  
**Hopper**

(10) **Patent No.:** **US D488,169 S**

(45) **Date of Patent:** **\*\* Apr. 6, 2004**

(54) **SPRAY GUN PUMP AND HOSE**  
(75) Inventor: **Timothy George Hopper**, Guildford (GB)  
(73) Assignee: **Earlex Limited**, Guildford (GB)  
(\*\*) Term: **14 Years**

D371,648 S \* 7/1996 Zimmermann et al. .... D32/15  
5,542,147 A \* 8/1996 Merten ..... 15/321  
5,735,017 A \* 4/1998 Barnes et al. .... 15/321  
5,784,753 A \* 7/1998 Kaczmarz et al. .... 15/319  
D422,603 S \* 4/2000 DeYoung ..... D15/9  
D435,048 S \* 12/2000 Breeser et al. .... D15/7  
D443,881 S \* 6/2001 Tsai ..... D15/7  
D454,884 S \* 3/2002 Christiansen et al. .... D15/7  
D468,752 S \* 1/2003 Hopper ..... D15/9

(21) Appl. No.: **29/161,395**  
(22) Filed: **May 28, 2002**  
(30) **Foreign Application Priority Data**  
Nov. 28, 2001 (GB) ..... 2106529  
(51) **LOC (7) Cl.** ..... **15-01**  
(52) **U.S. Cl.** ..... **D15/9**  
(58) **Field of Search** ..... D15/7, 9; 392/403;  
15/321; 320/319; D23/13-29; D32/7, 15,  
17

\* cited by examiner

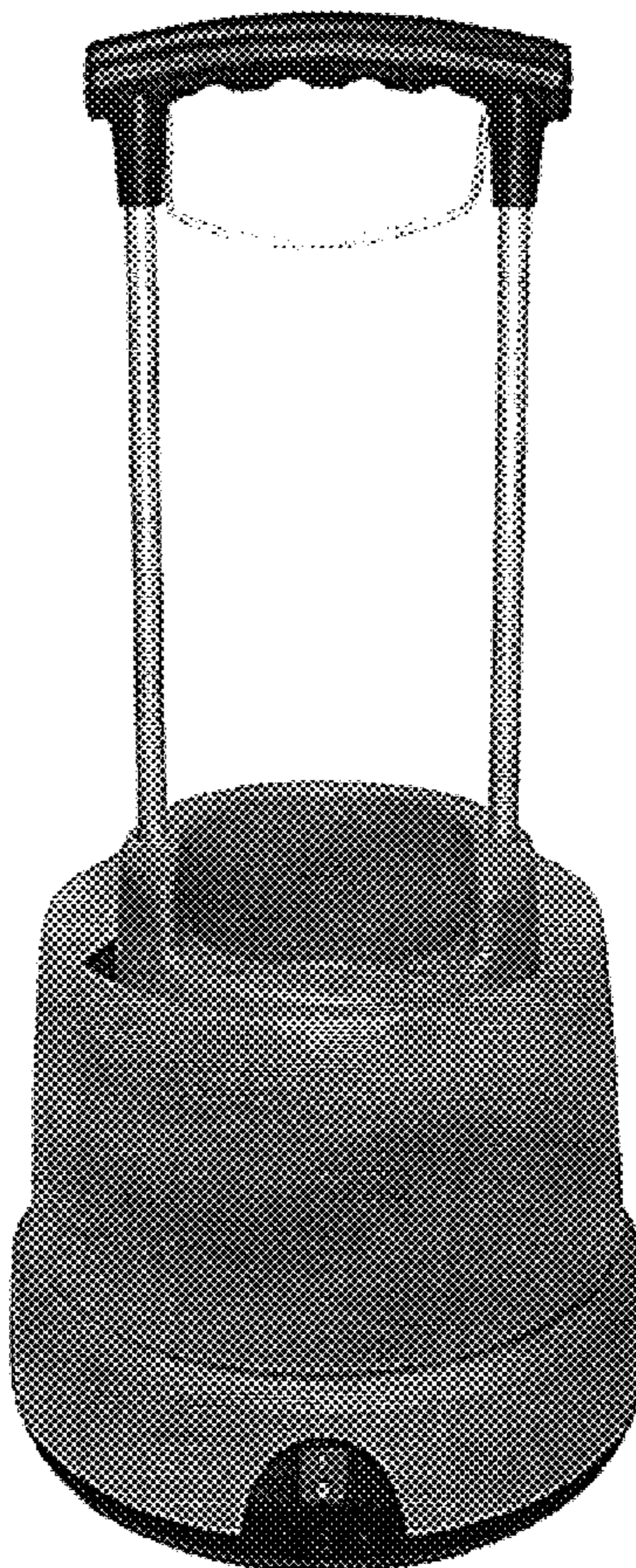
*Primary Examiner*—Nelson C. Holtje  
(74) *Attorney, Agent, or Firm*—Ware, Fressola, Van Der Sluys & Adolphson LLP

(56) **References Cited**  
**U.S. PATENT DOCUMENTS**  
D338,208 S \* 8/1993 Reents et al. .... D15/9  
D340,724 S \* 10/1993 Mariol ..... D15/7  
D340,727 S \* 10/1993 Anderson et al. .... D15/7

(57) **CLAIM**  
The ornamental design for a spray gun pump and hose, as shown and described.

**DESCRIPTION**  
FIG. 1 is a front view of the spray gun pump and hose showing my new design;  
FIG. 2 is an oblique front view thereof;  
FIG. 3 is a side view thereof; and,  
FIG. 4 is a top view thereof.

**1 Claim, 4 Drawing Sheets**





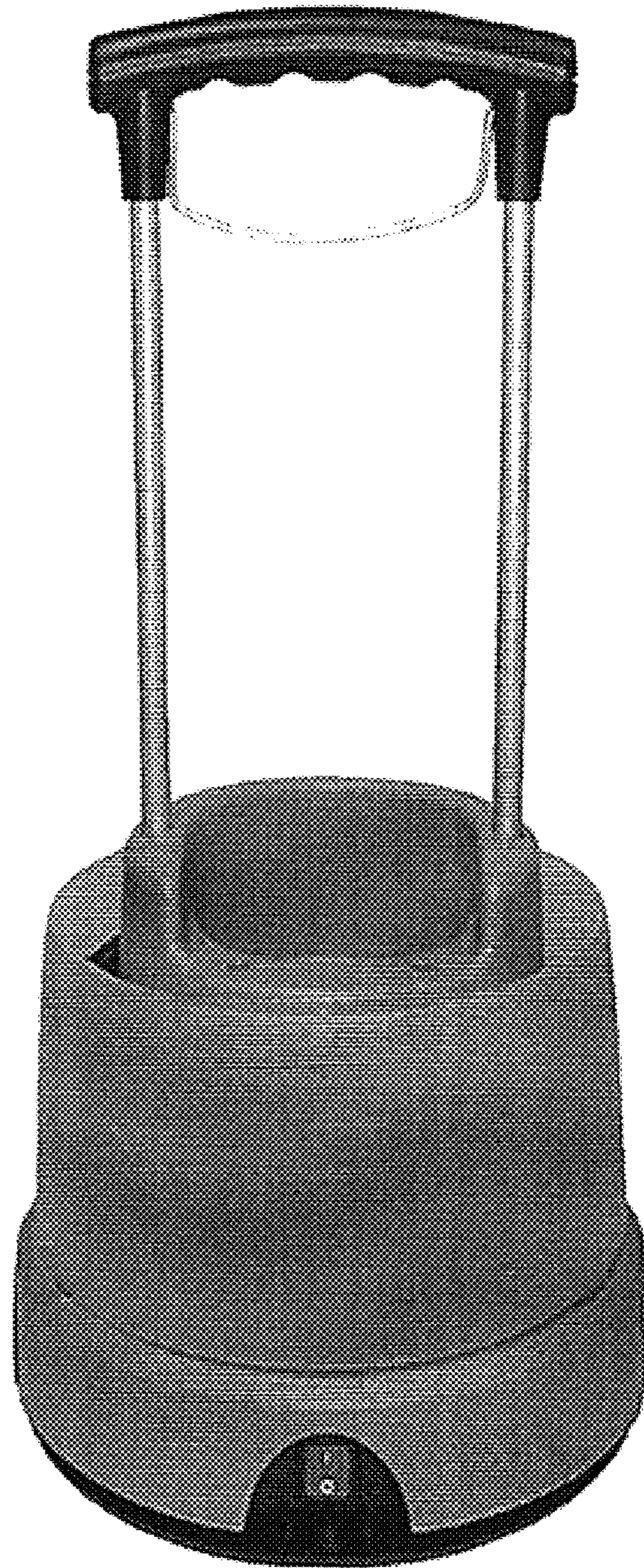


FIG. 1



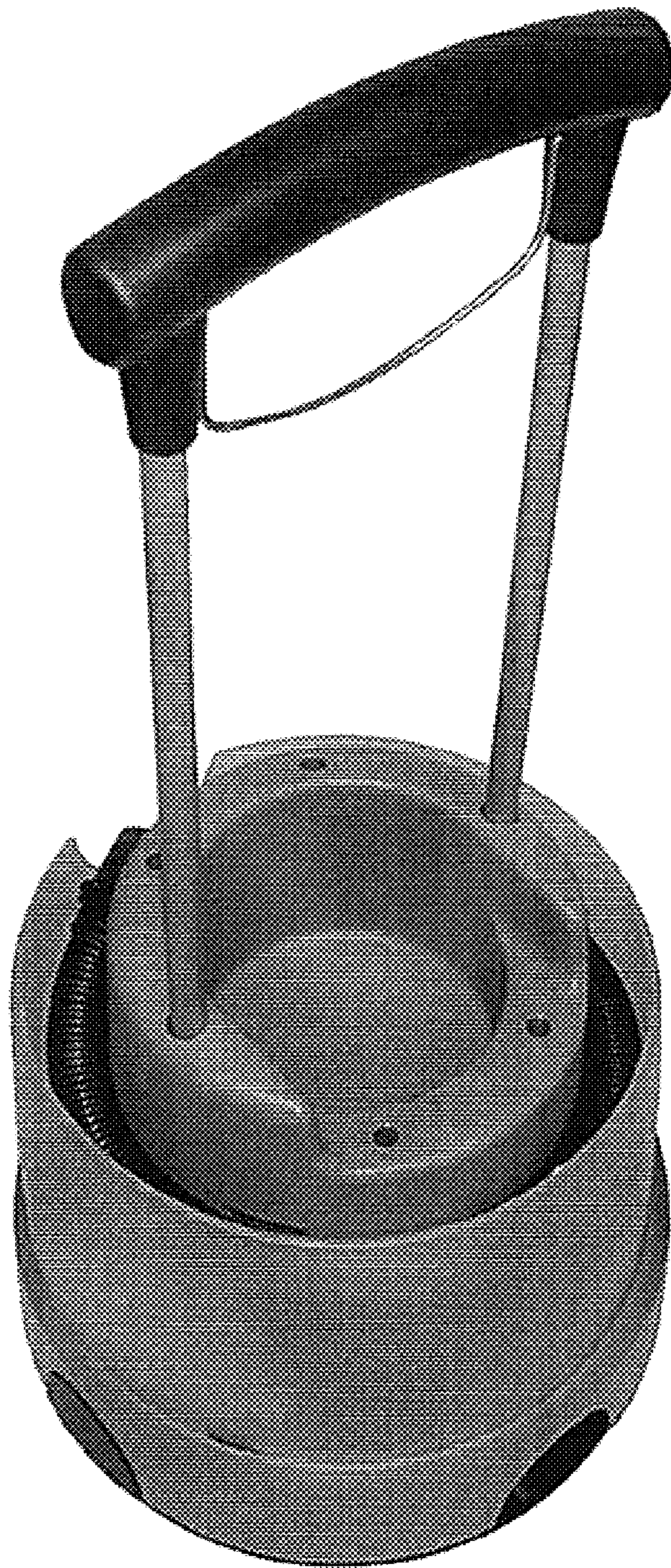


FIG. 2



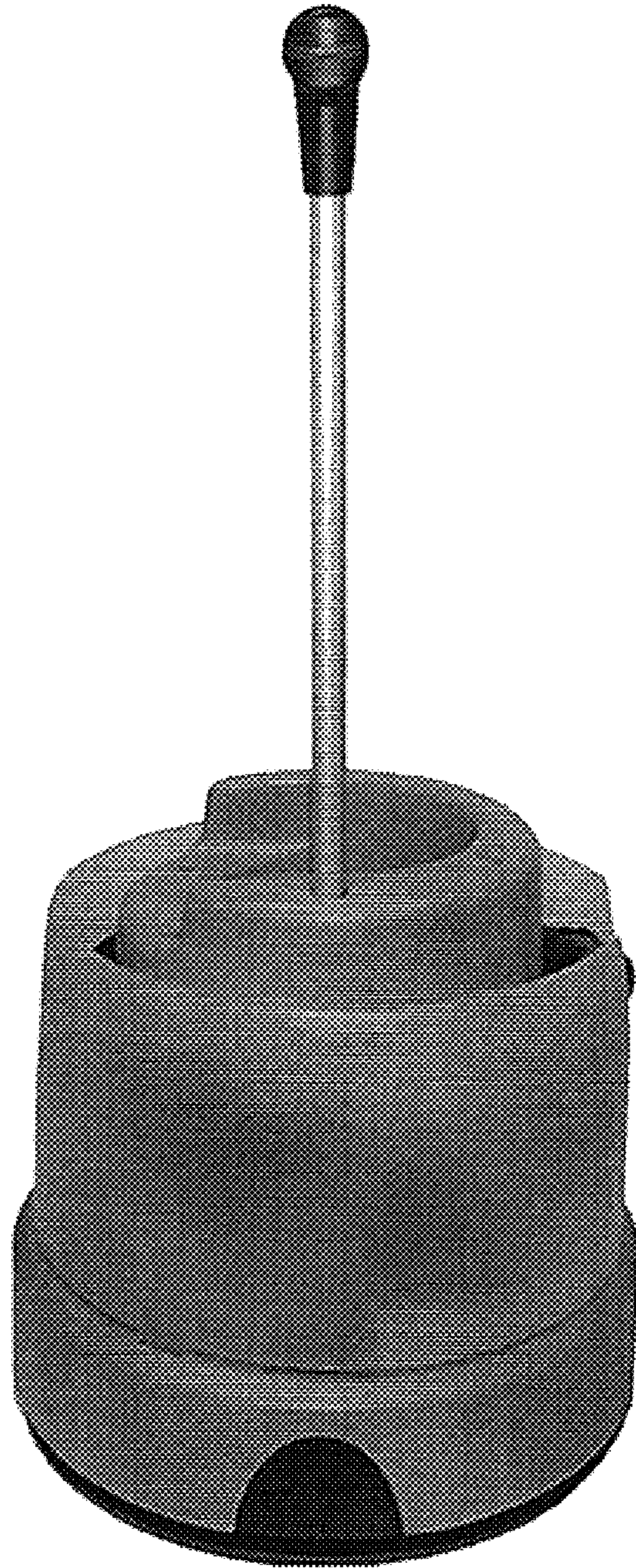


FIG. 3



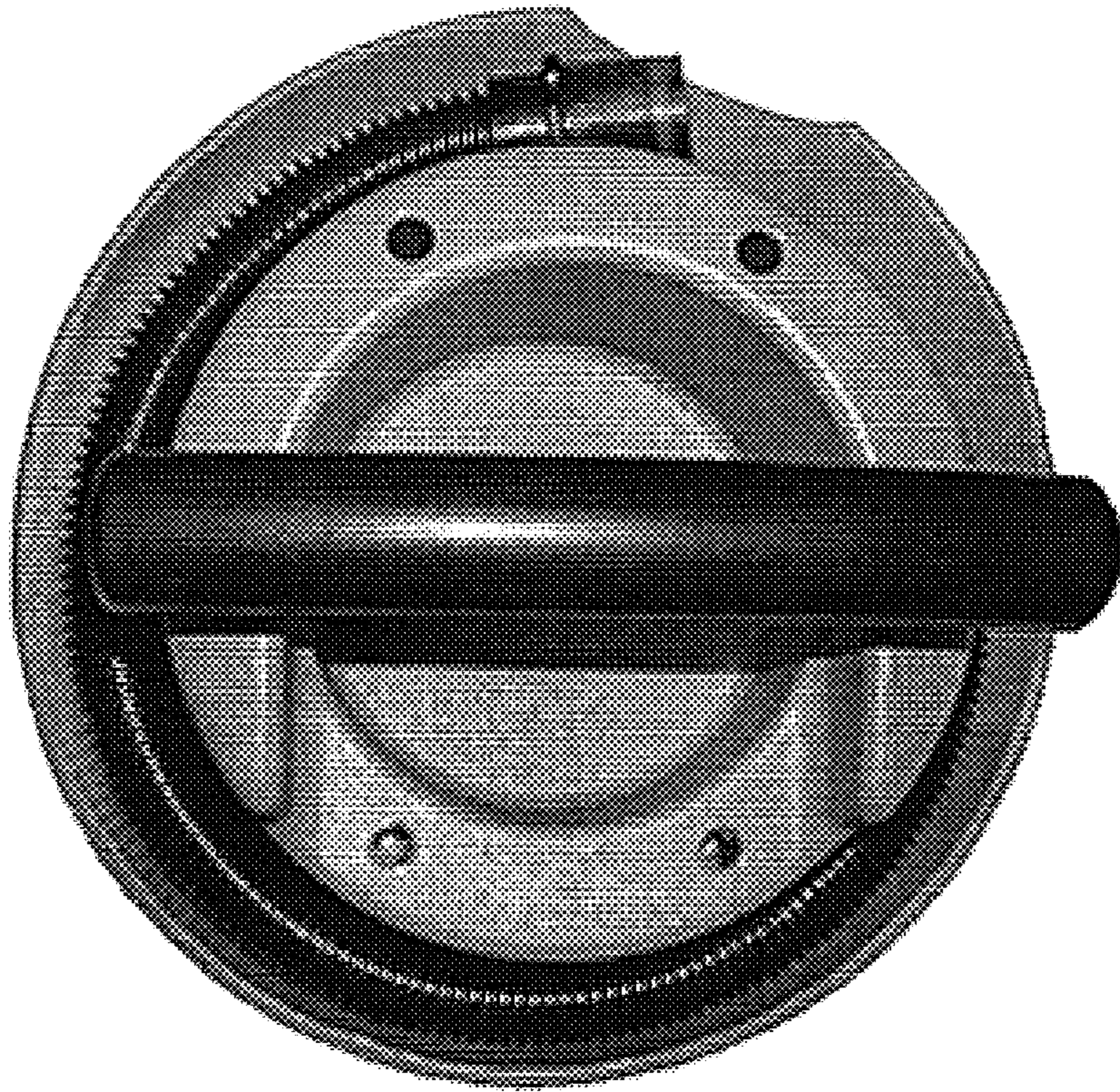


FIG. 4