



US00D488167S

(12) **United States Design Patent**
Momoi

(10) **Patent No.:** **US D488,167 S**

(45) **Date of Patent:** **** Apr. 6, 2004**

(54) **INTERNAL COMBUSTION ENGINE**

(75) **Inventor:** **Teruhito Momoi, Hyogo (JP)**

(73) **Assignee:** **Kawasaki Jukogyo Kabushiki Kaisha, Hyogo (JP)**

(**) **Term:** **14 Years**

(21) **Appl. No.:** **29/155,116**

(22) **Filed:** **Feb. 4, 2002**

(30) **Foreign Application Priority Data**

Aug. 7, 2001 (JP) 2001-023097

(51) **LOC (7) Cl. 15-01**

(52) **U.S. Cl. D15/1**

(58) **Field of Search** D15/1-5; 123/50 A,
123/156 BA, 308, 549, 198 E, 661, 667;
46/39, 78, 249

(56) **References Cited**

U.S. PATENT DOCUMENTS

| | | | | | |
|------------|---|--------|---------|-------|-------|
| D396,476 S | * | 7/1998 | Shimizu | | D15/1 |
| D414,498 S | * | 9/1999 | Yoshida | | D15/1 |
| D421,024 S | * | 2/2000 | Katoh | | D15/1 |
| D457,891 S | * | 5/2002 | Matre | | D15/1 |

* cited by examiner

Primary Examiner—Melody N. Brown
(74) *Attorney, Agent, or Firm*—Marshall, Gerstein & Borun LLP

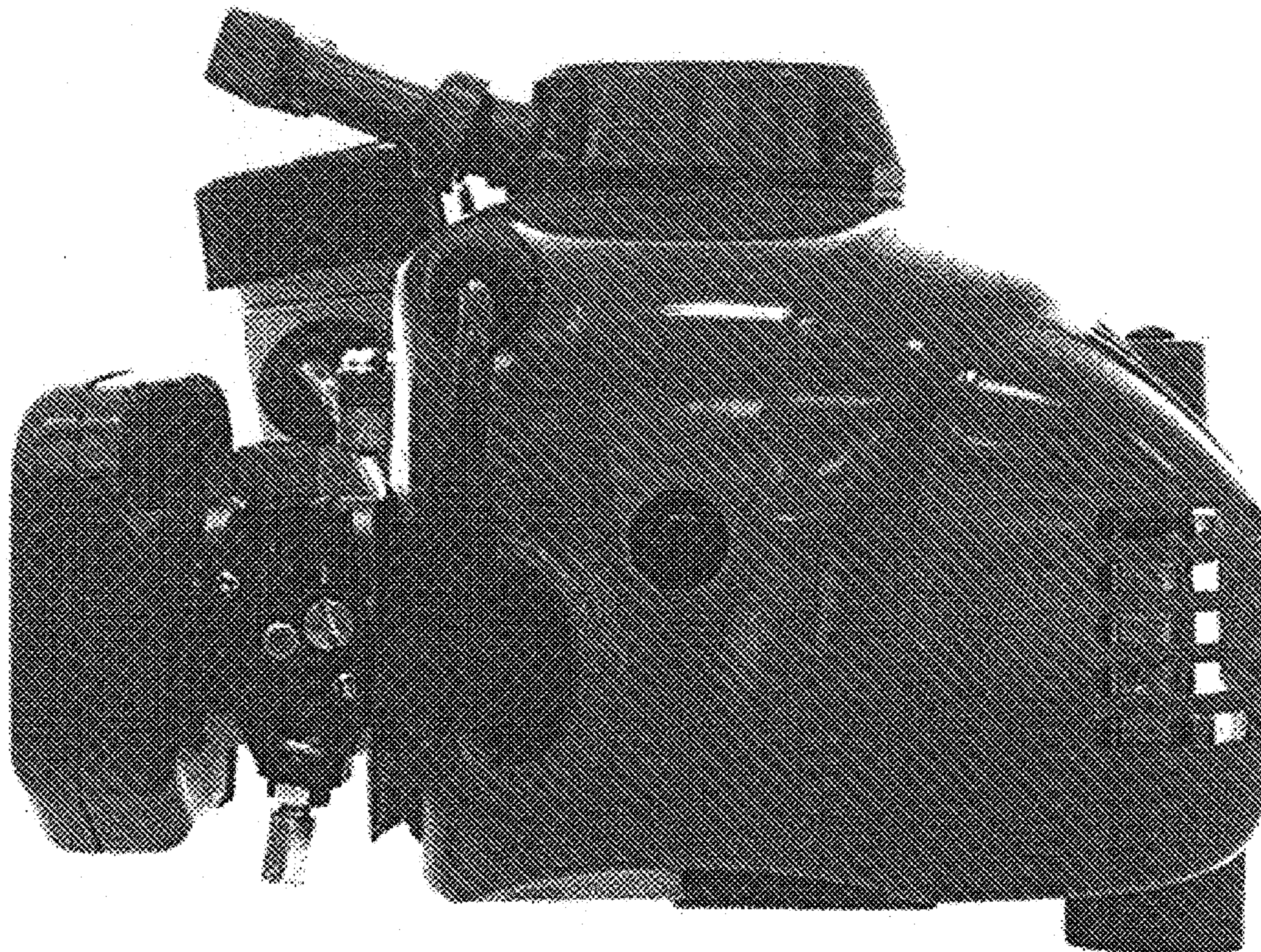
(57) **CLAIM**

The ornamental design for an internal combustion engine, as shown and described.

DESCRIPTION

FIG. 1 is a side view of an internal combustion engine in accordance with the present invention;
FIG. 2 is a rear side view thereof;
FIG. 3 is a left side view thereof;
FIG. 4 is a right side view thereof;
FIG. 5 is a top plan view thereof;
FIG. 6 is a bottom view thereof;
FIG. 7 is a referential right side perspective view taken from the front side;
FIG. 8 is a referential left side perspective view taken from the front side;
FIG. 9 is a referential right side perspective view taken from the rear side; and,
FIG. 10 is a referential left side perspective view taken from the rear side.

1 Claim, 10 Drawing Sheets



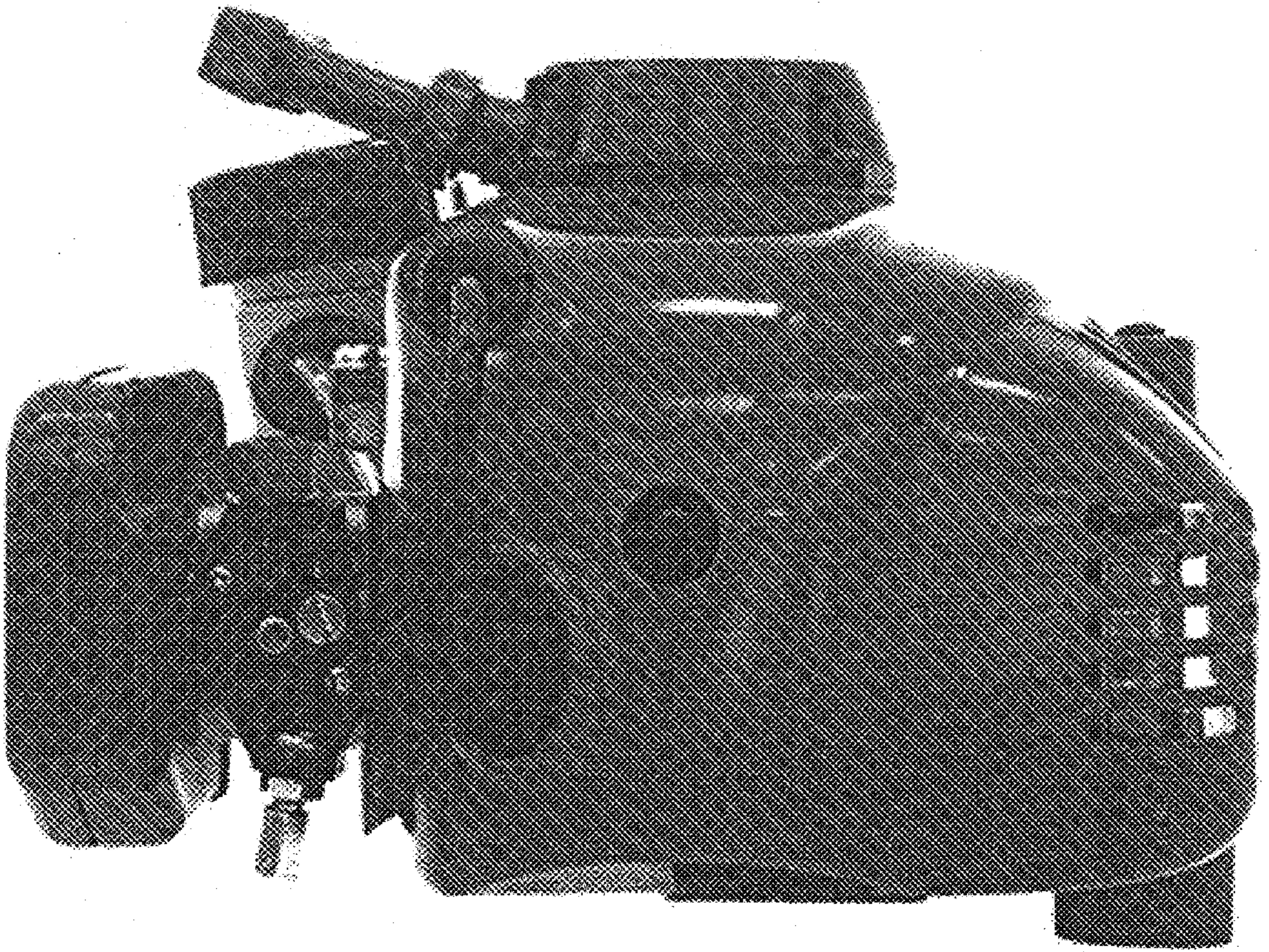


FIG. 1

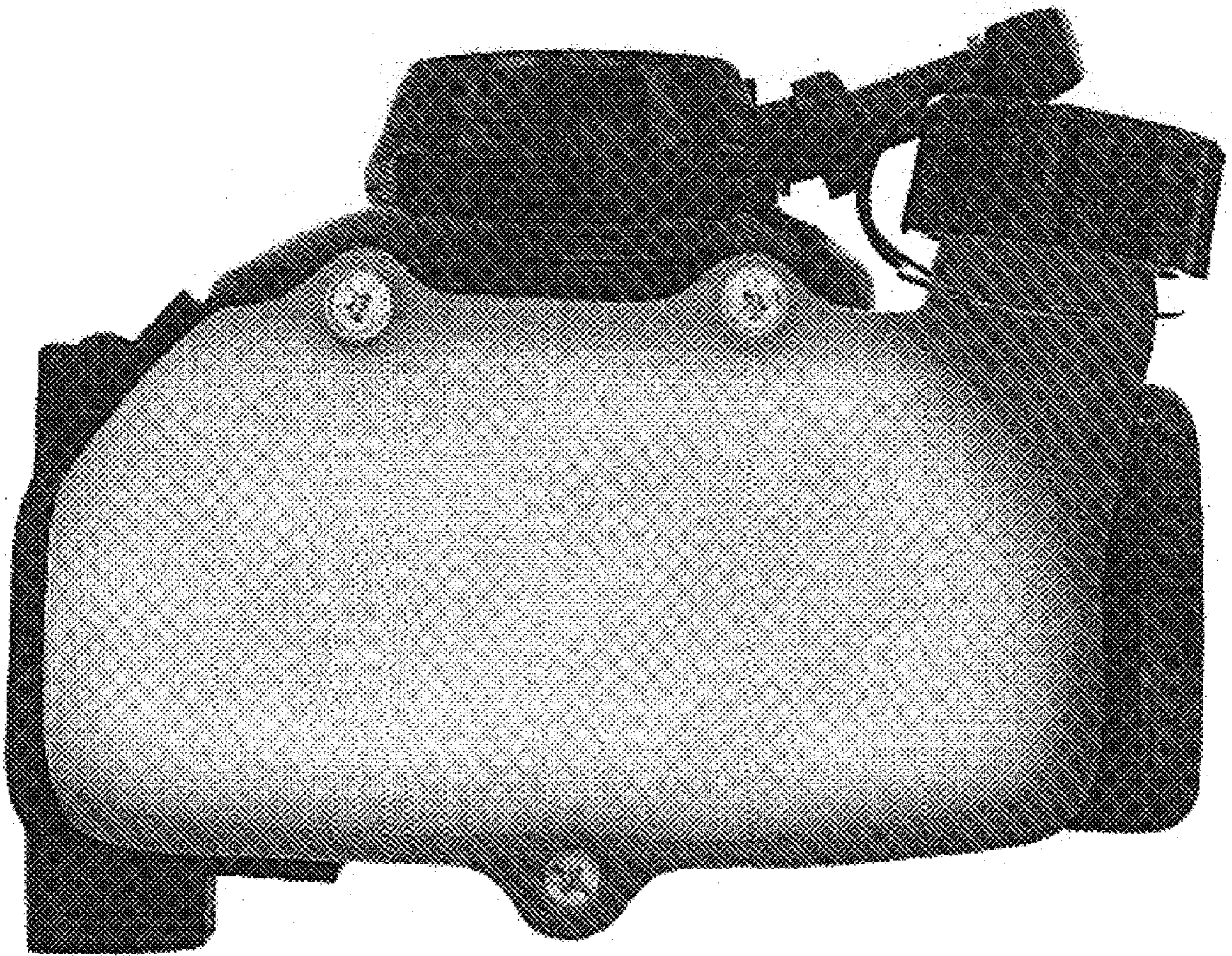


FIG. 2

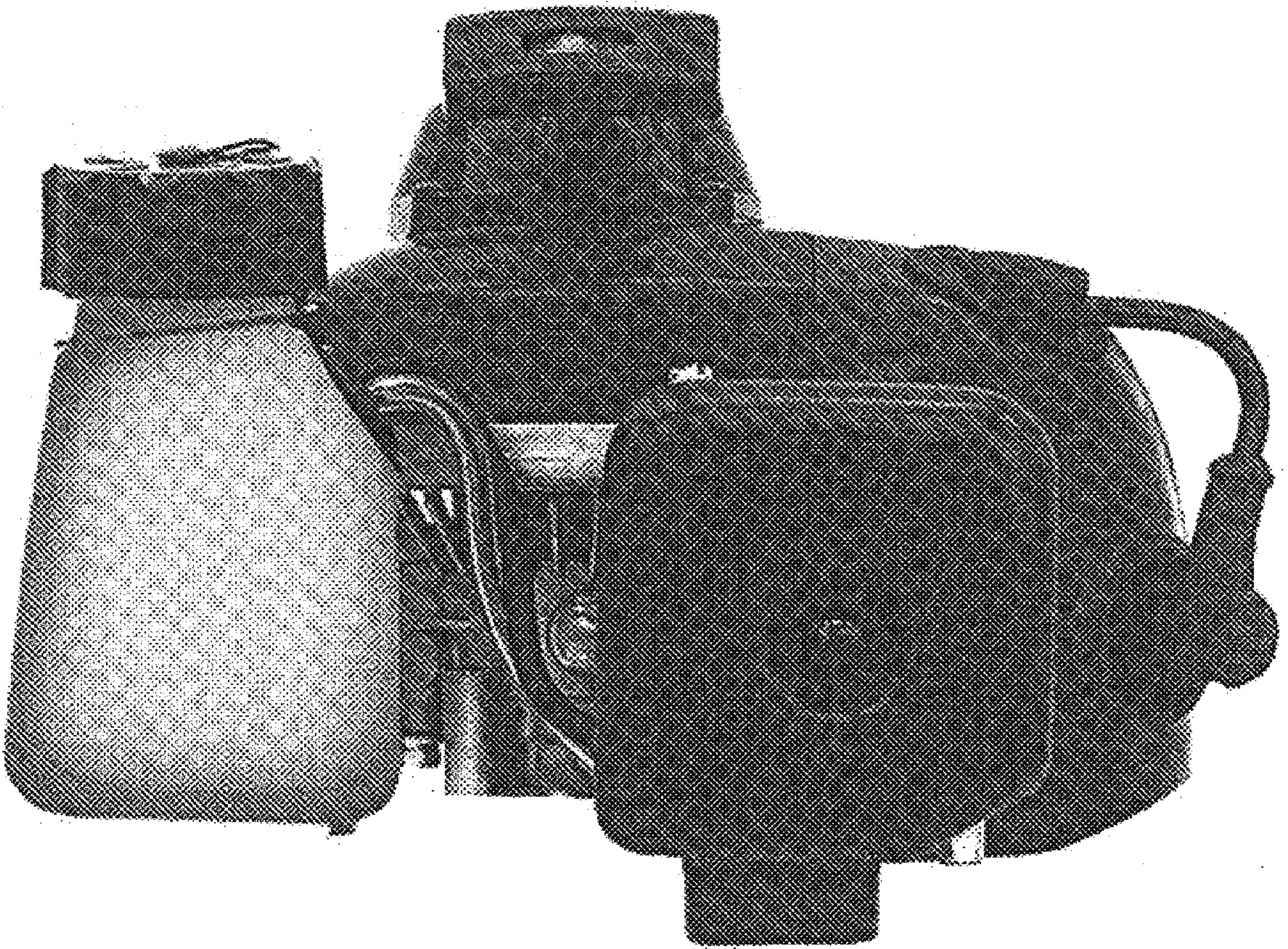


FIG. 3

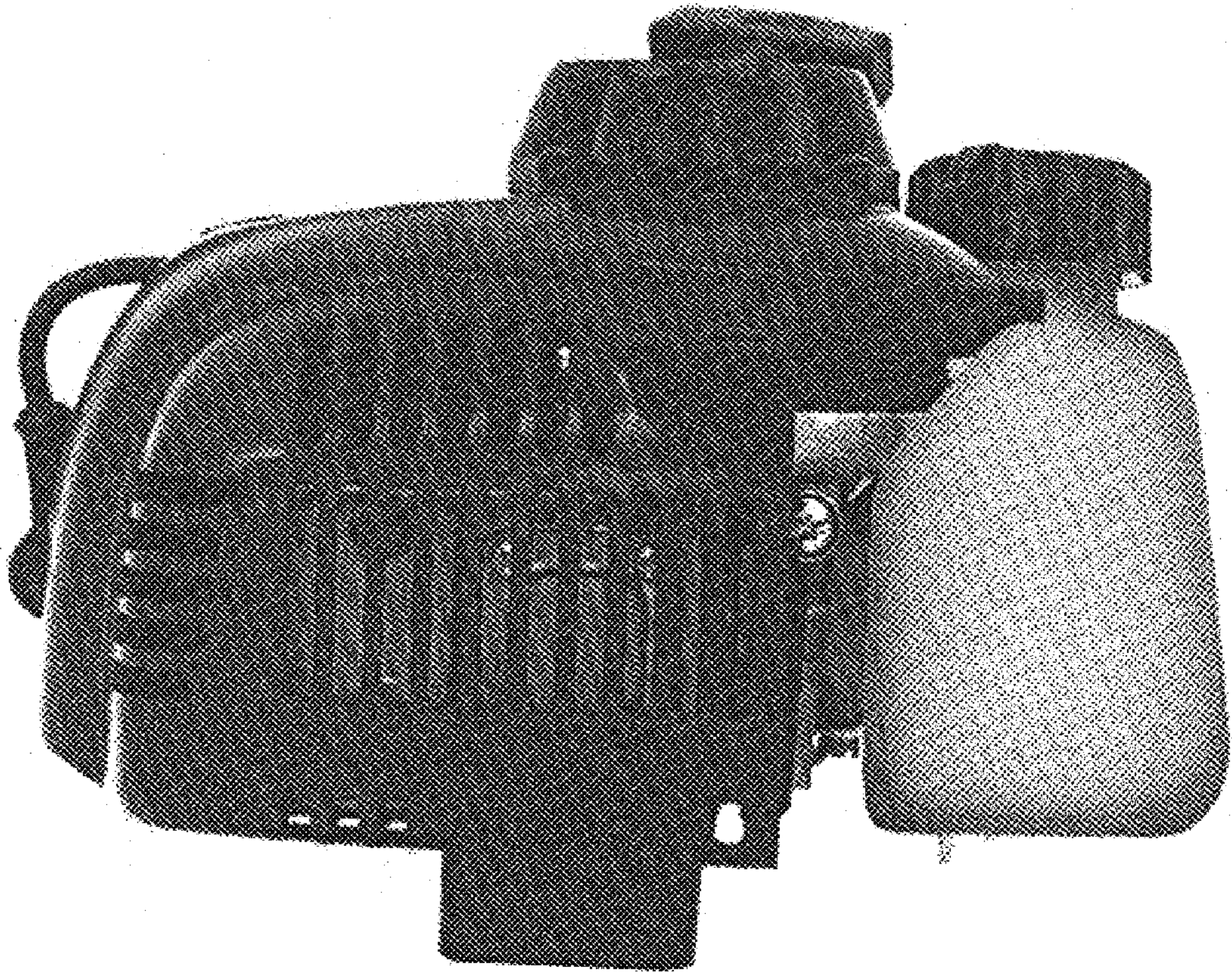


FIG. 4

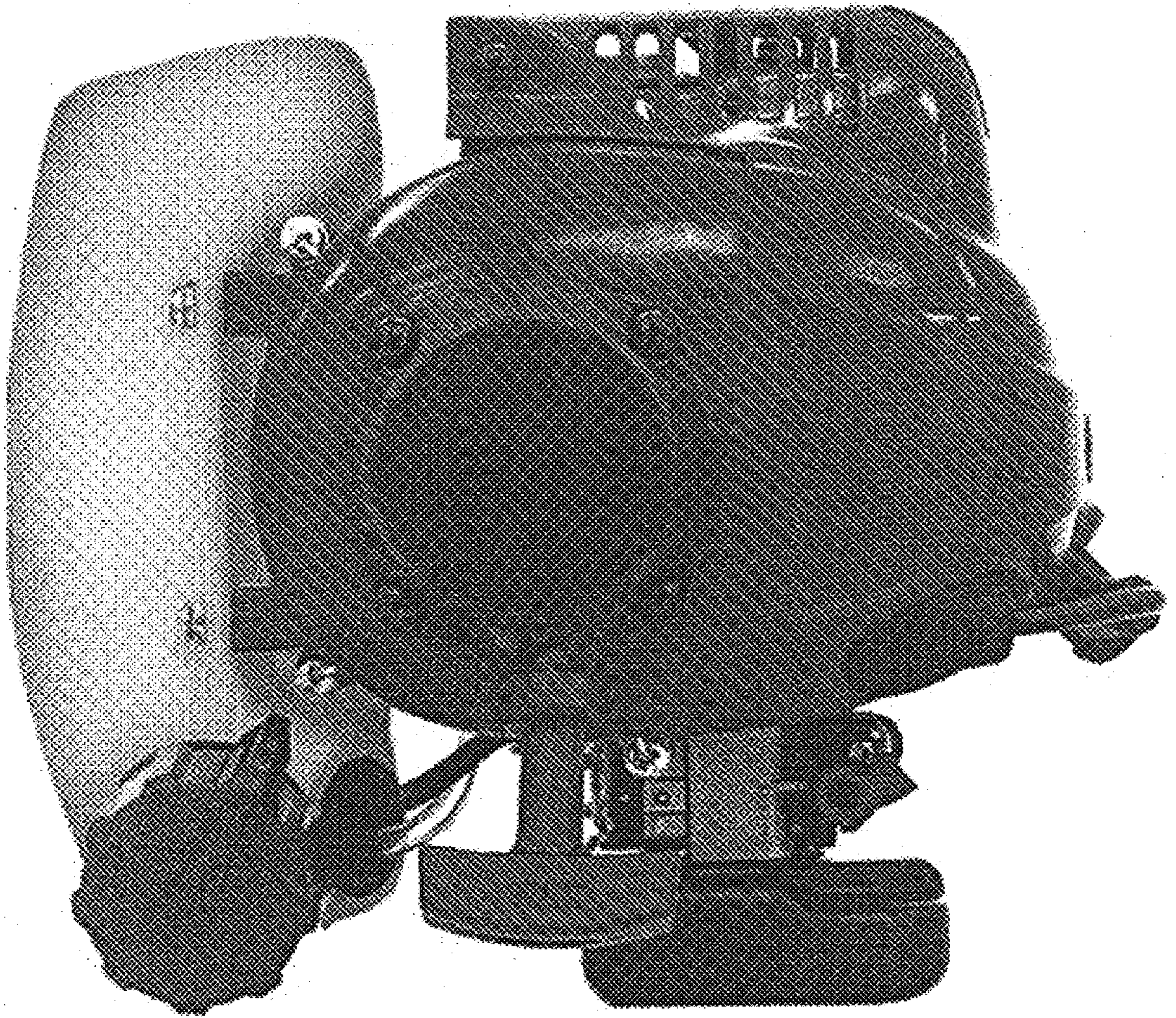


FIG. 5

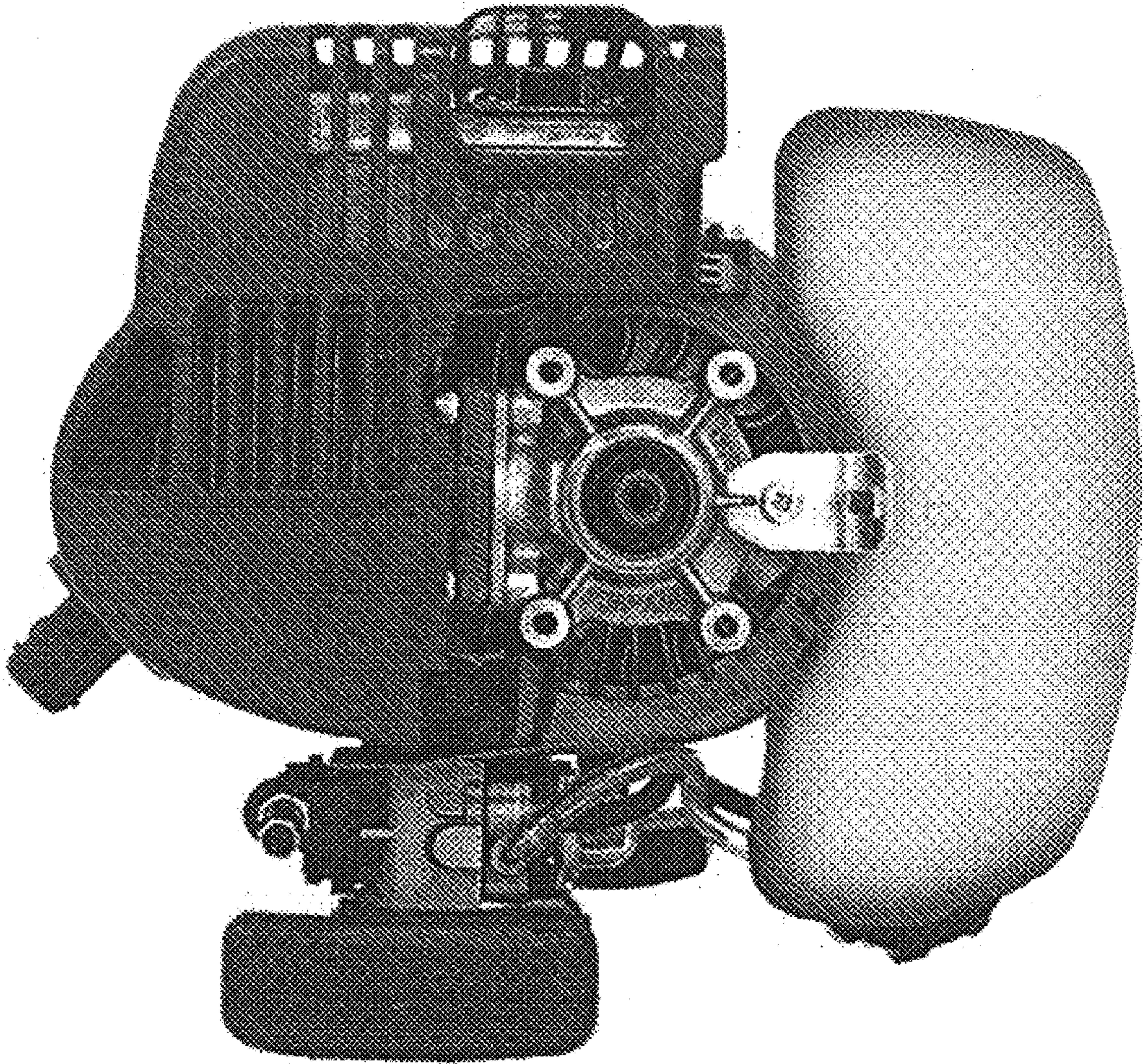


FIG. 6



FIG. 7

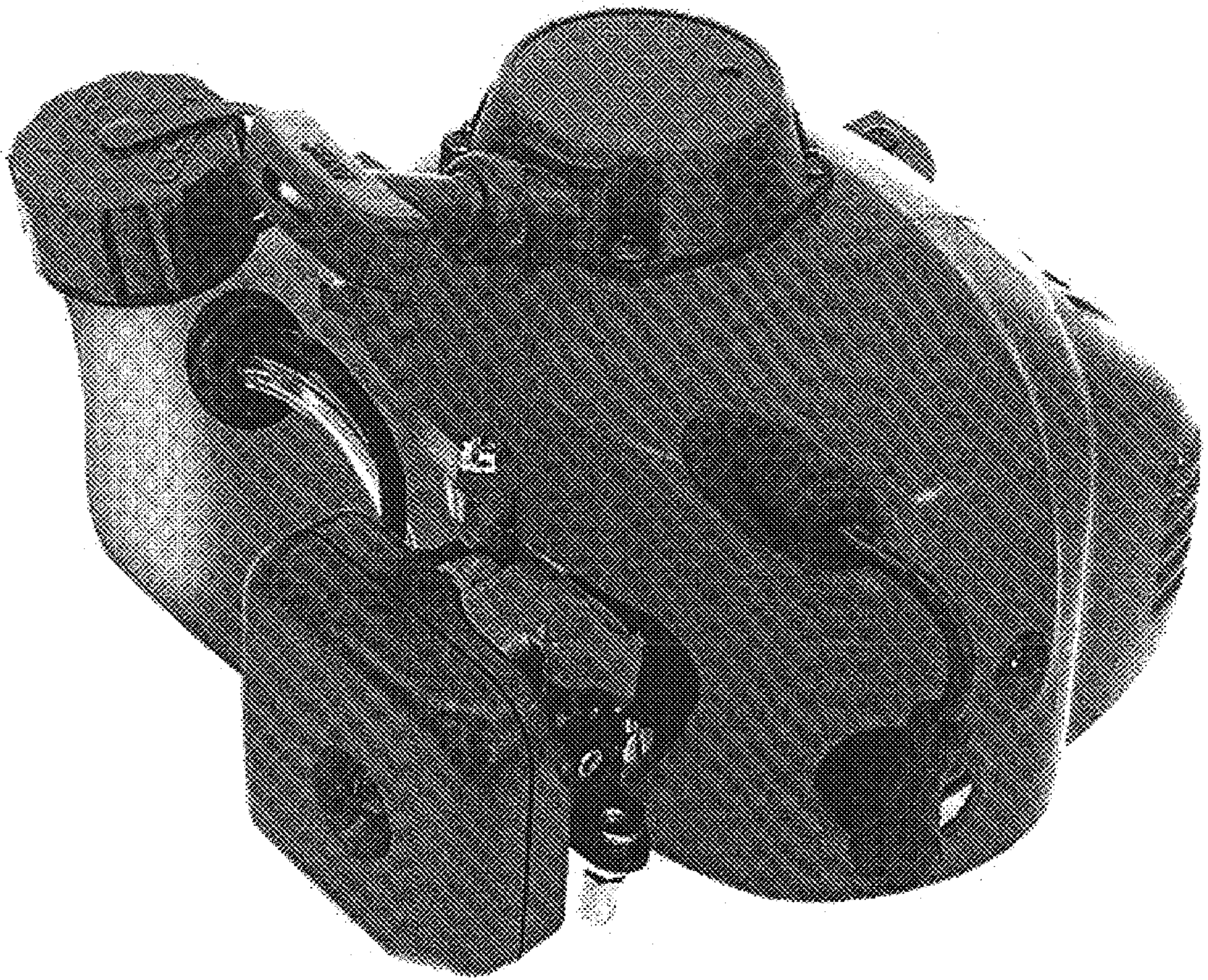


FIG. 8

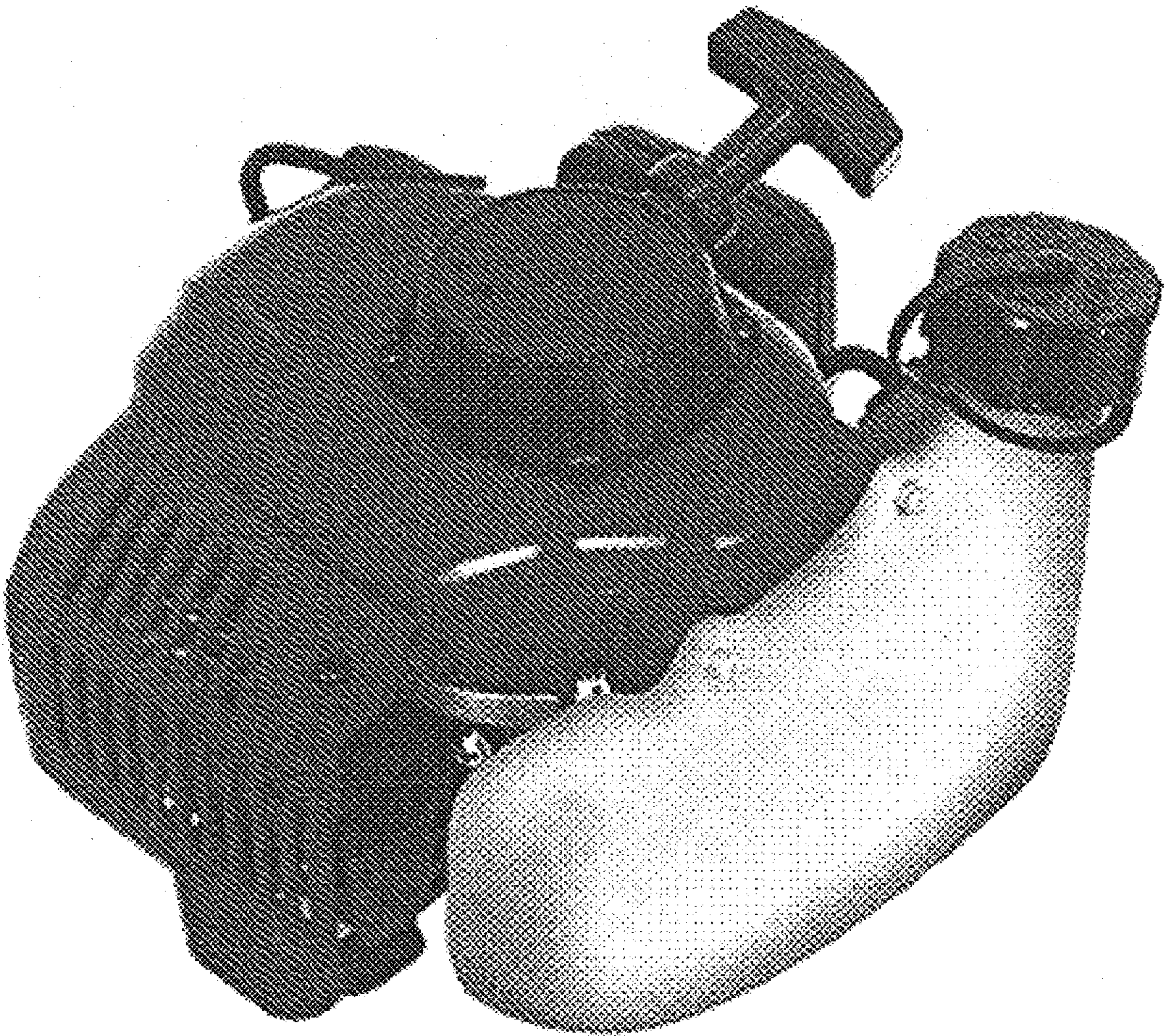


FIG. 9

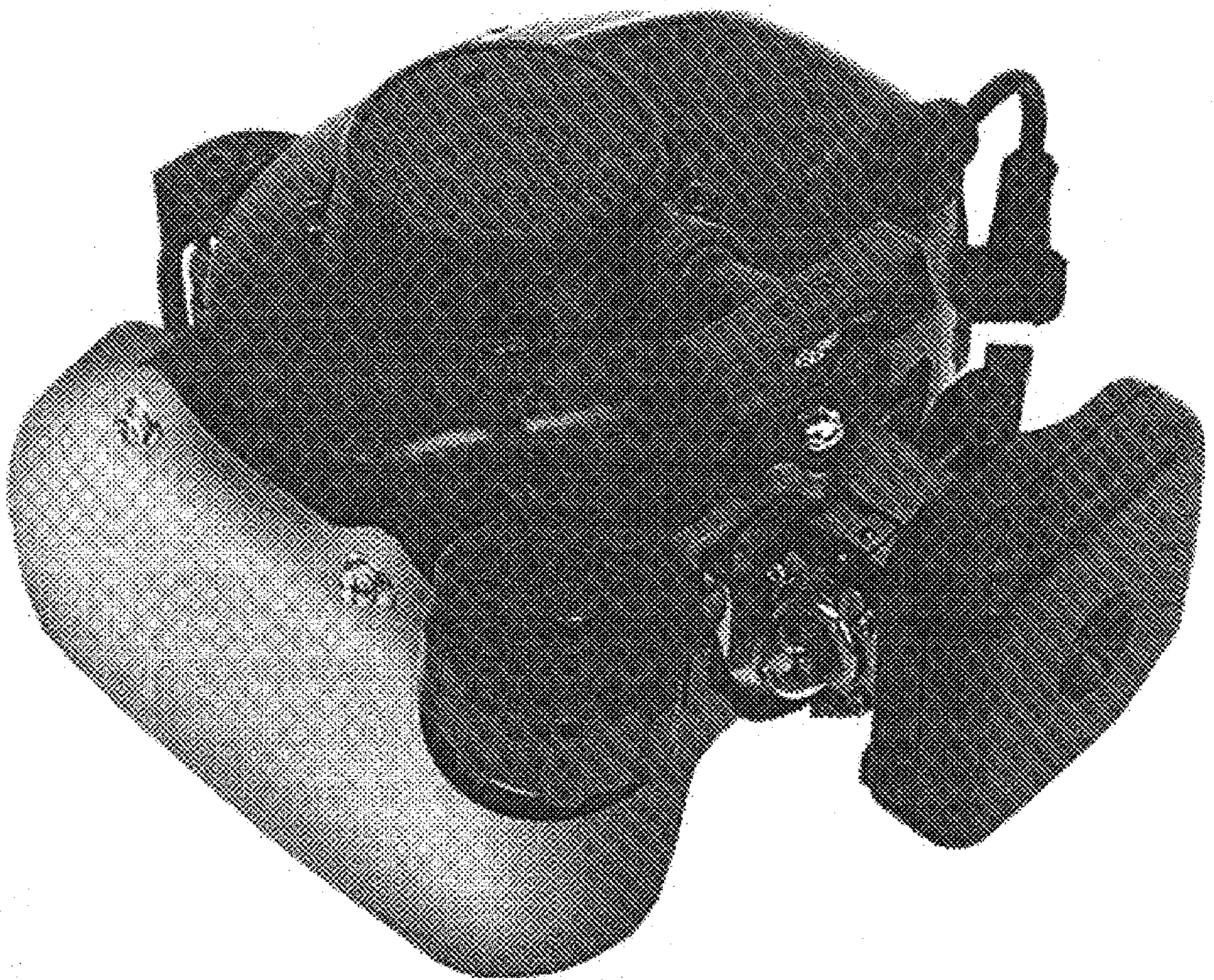


FIG. 10