



US00D488166S

(12) **United States Design Patent**
Daniels

(10) **Patent No.:** **US D488,166 S**

(45) **Date of Patent:** **** Apr. 6, 2004**

(54) **SOUND AND VIDEO TRANSMISSION
DEVICE**

(75) **Inventor:** **Wilfried Johan Paul Ferdinand
Daniels, Sint Truiden (BE)**

(73) **Assignee:** **Koninklijke Philips Electronics N.V.,
Eindhoven (NL)**

(**) **Term:** **14 Years**

(21) **Appl. No.:** **29/181,552**

(22) **Filed:** **May 13, 2003**

(30) **Foreign Application Priority Data**

Nov. 13, 2002 (WO) DMA/005 888

(51) **LOC (7) Cl.** **14-03**

(52) **U.S. Cl.** **D14/496; D10/104**

(58) **Field of Search** D14/496, 154,
D14/158, 217, 356, 399, 358, 168; 181/148;
382/1, 3, 5, 12, 34, 38, 244, 242; 369/63,
83; 386/4, 52, 54, 56, 86; D10/104

(56) **References Cited**

U.S. PATENT DOCUMENTS

2,025,366 A * 12/1935 Mihaly 352/34

2,051,661 A * 8/1936 Weber 352/34
3,093,709 A * 6/1963 Hoshino et al. 360/17
D214,381 S * 6/1969 Rin D14/496
4,800,135 A * 1/1989 Kilbane et al. 428/653
D424,560 S * 5/2000 Heath D14/159
D424,561 S * 5/2000 Heath D14/159
D430,052 S * 8/2000 Nowak D10/104
D430,546 S * 9/2000 Gibson D14/159
D440,511 S * 4/2001 Heath D10/104
D440,899 S * 4/2001 Heath D10/104

* cited by examiner

Primary Examiner—Prabhakar Deshmukh

(74) *Attorney, Agent, or Firm*—Ernestine C. Bartlett

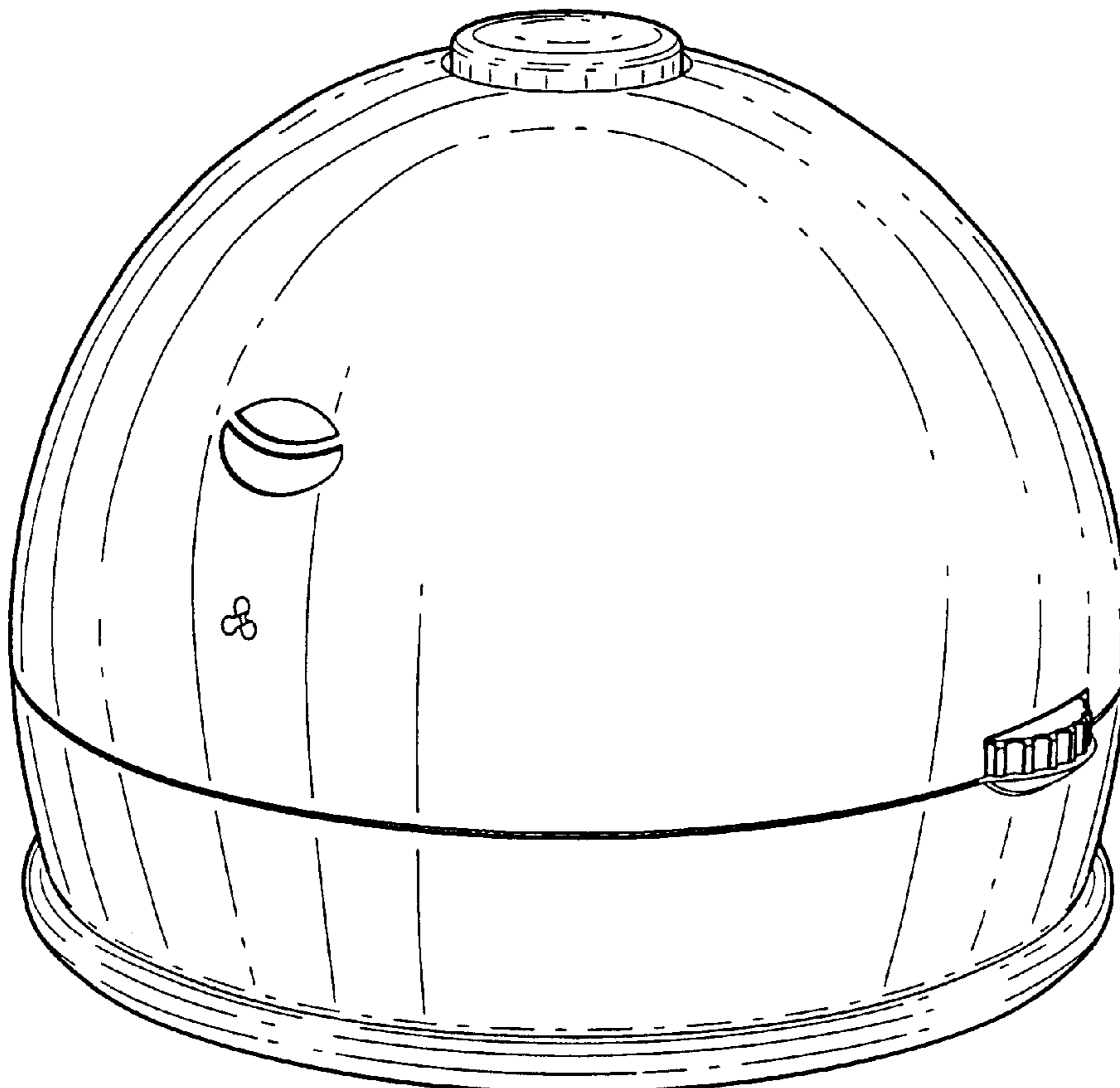
(57) **CLAIM**

The ornamental design for a sound and video transmission device, as shown.

DESCRIPTION

FIG. 1 is a perspective view showing my design;
FIG. 2 is a front elevational view thereof;
FIG. 3 is a rear elevational view thereof;
FIG. 4 is a left side elevational view thereof;
FIG. 5 is a right side elevational view thereof;
FIG. 6 is a top plan view thereof; and,
FIG. 7 is a bottom plan view thereof.

1 Claim, 4 Drawing Sheets



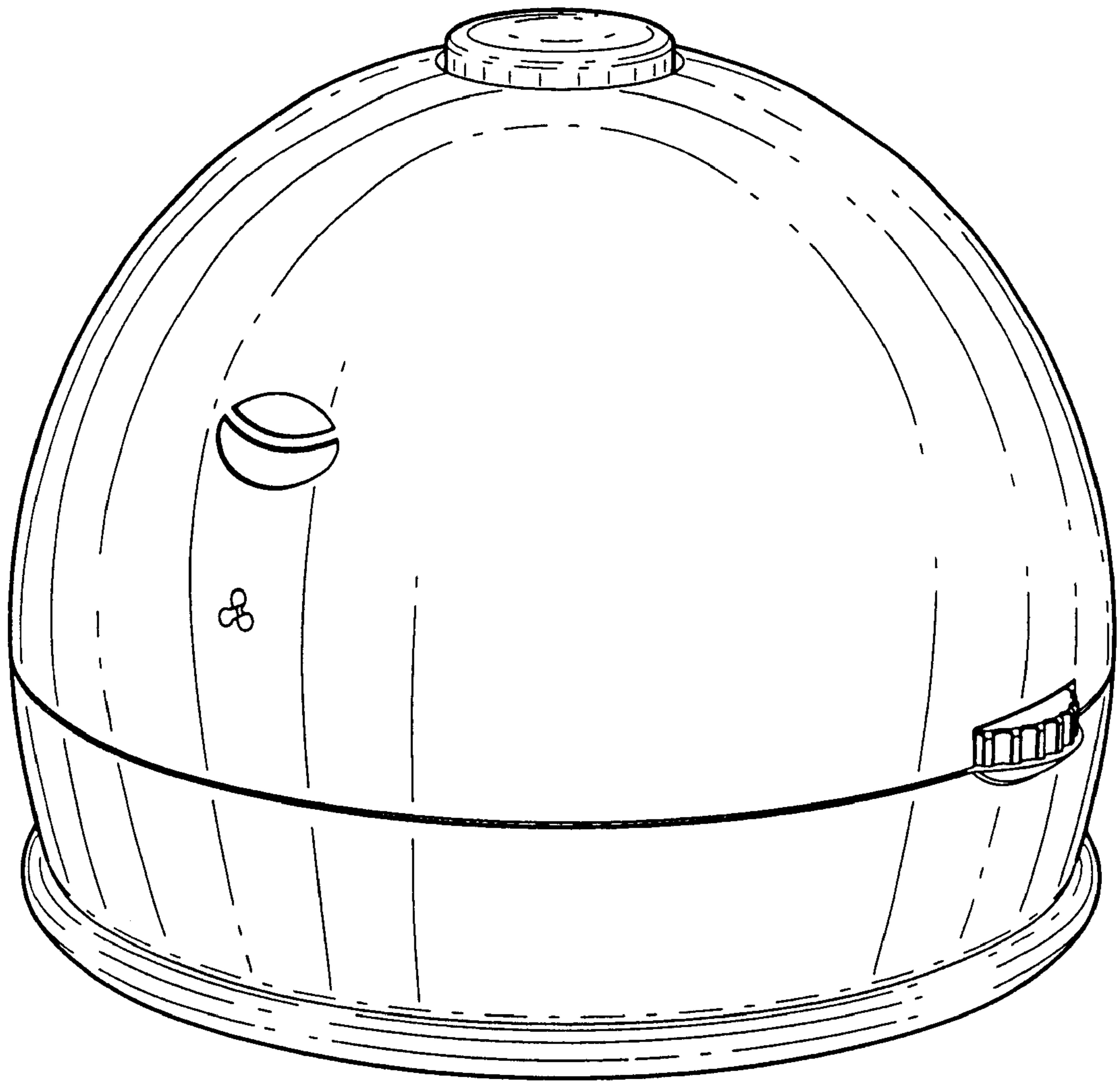


FIG. 1

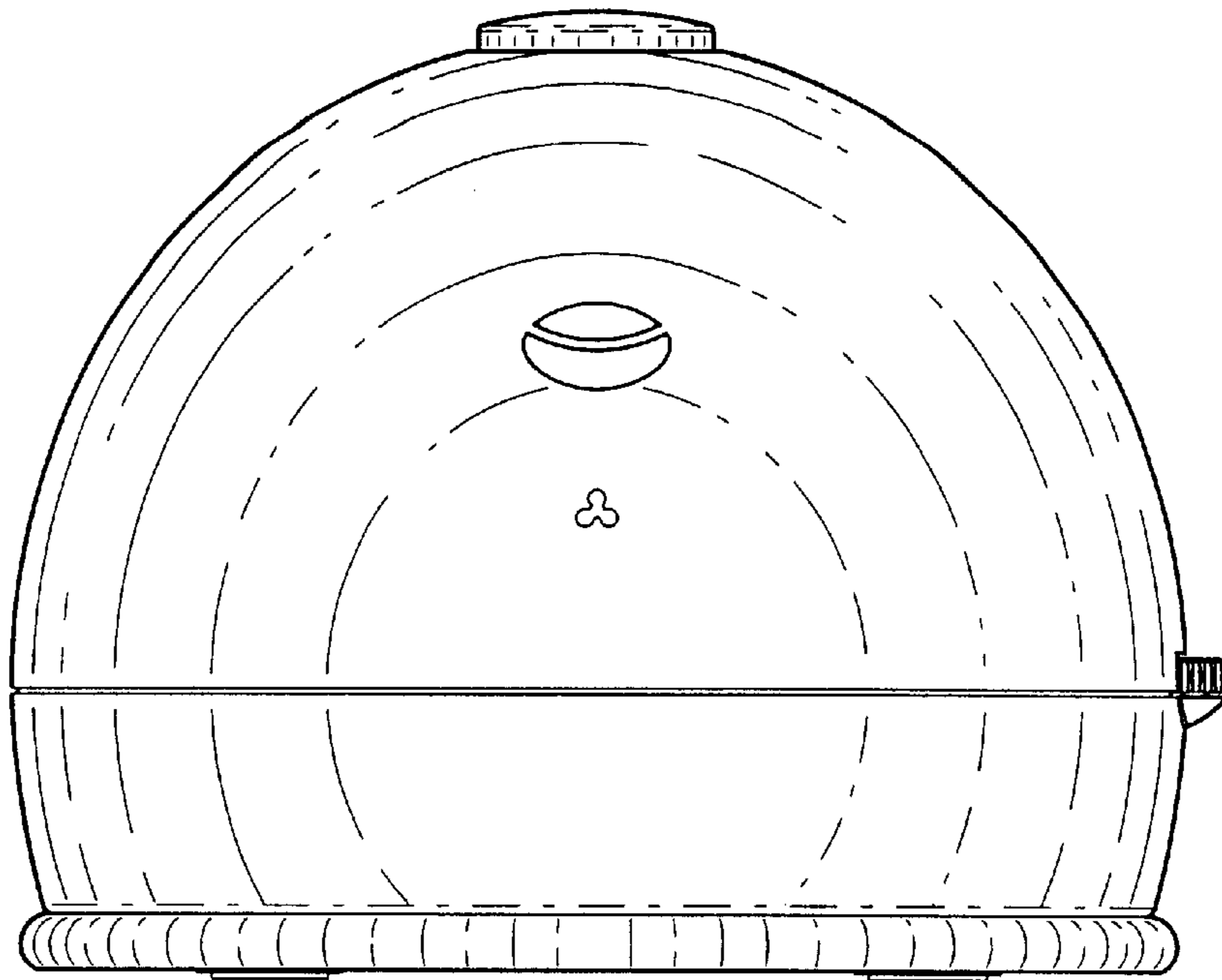


FIG. 2

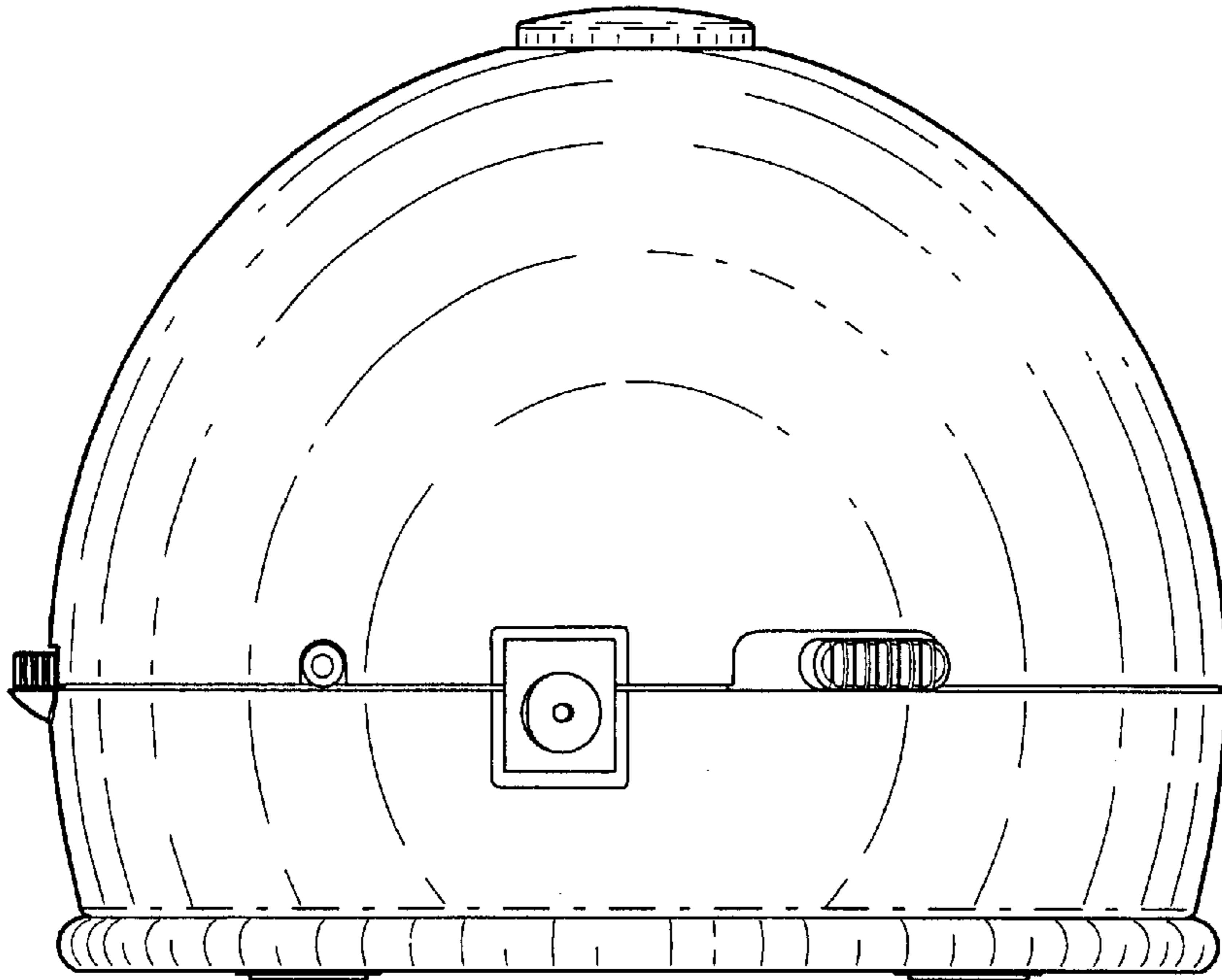


FIG. 3

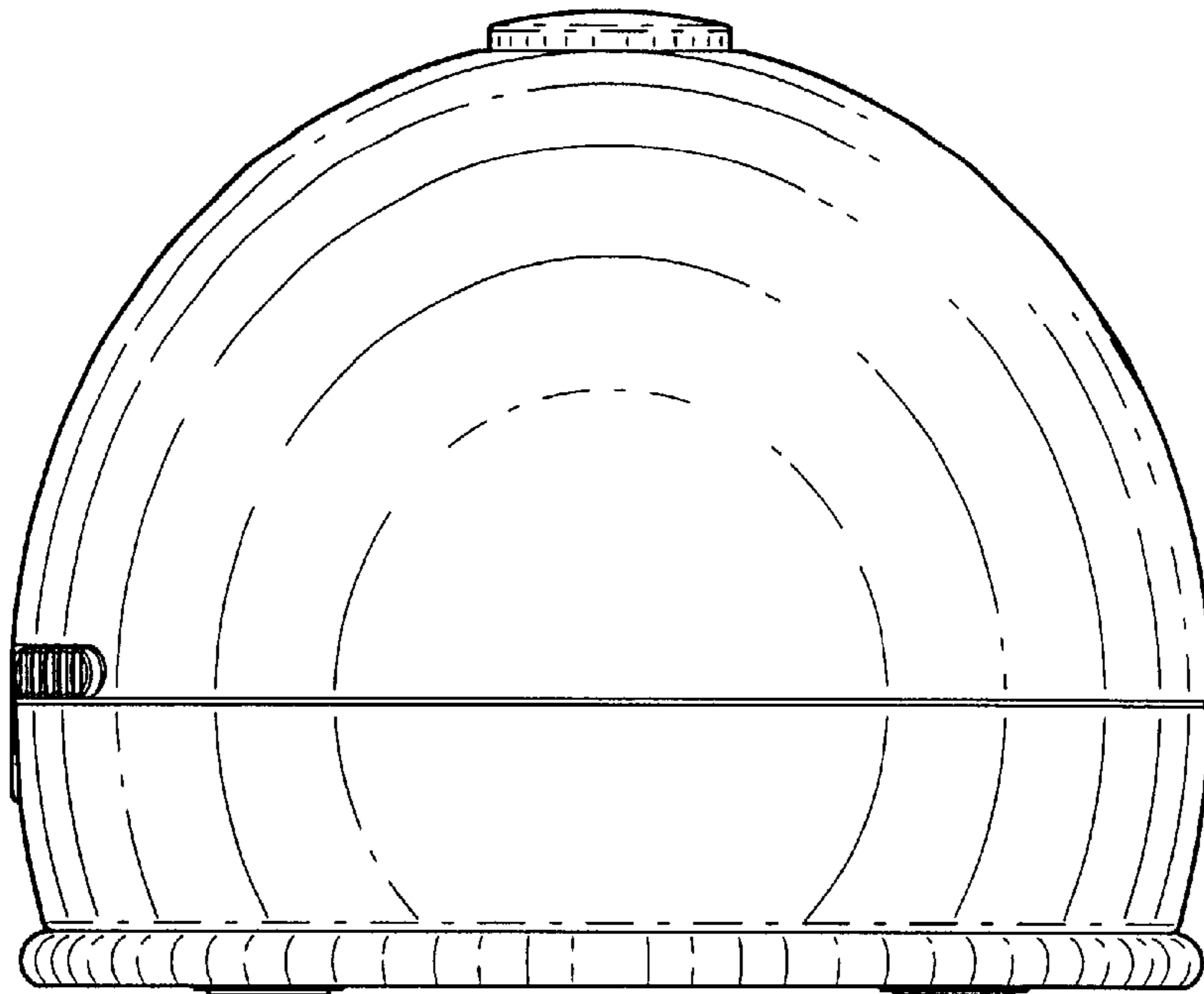


FIG. 4

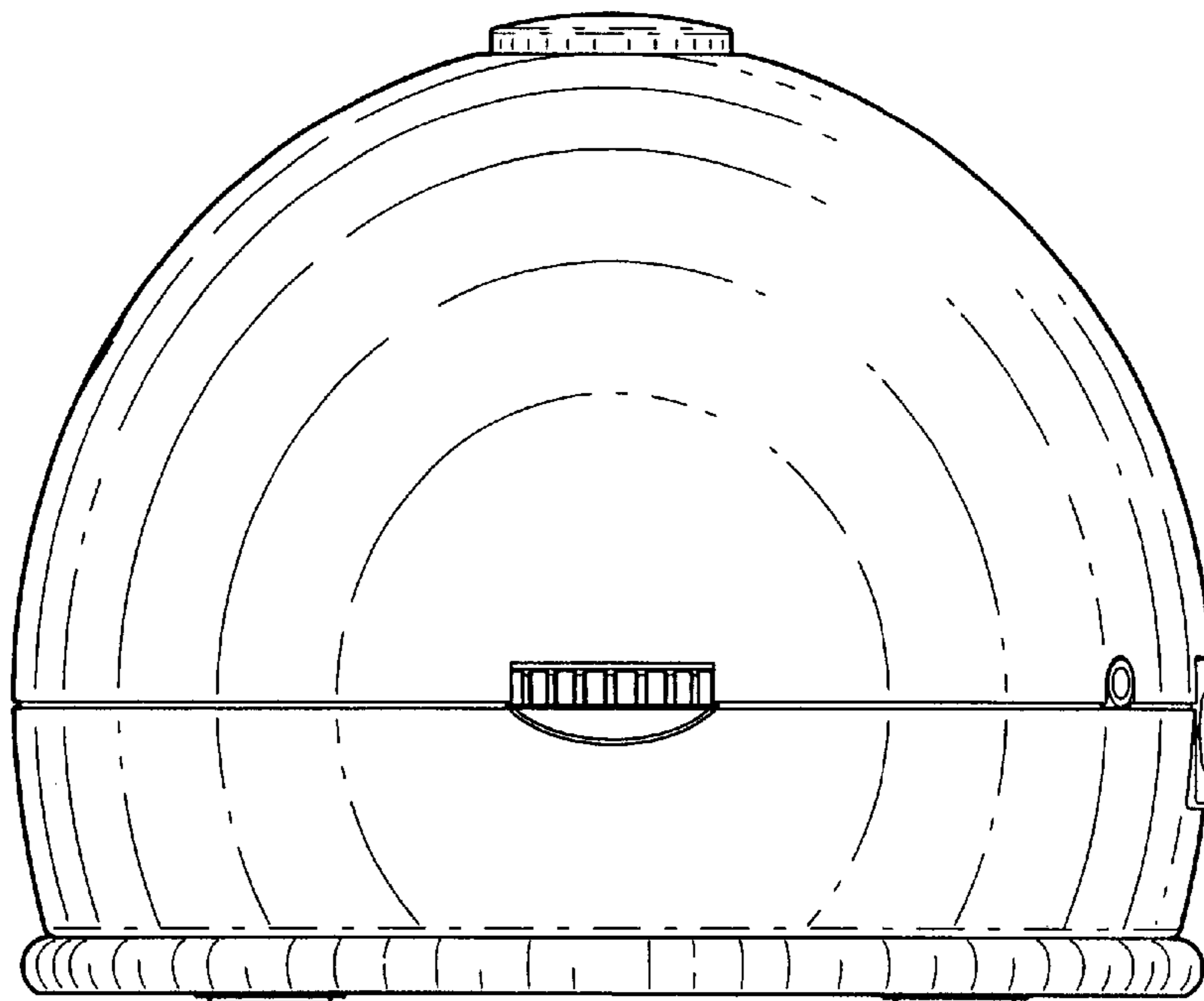


FIG. 5

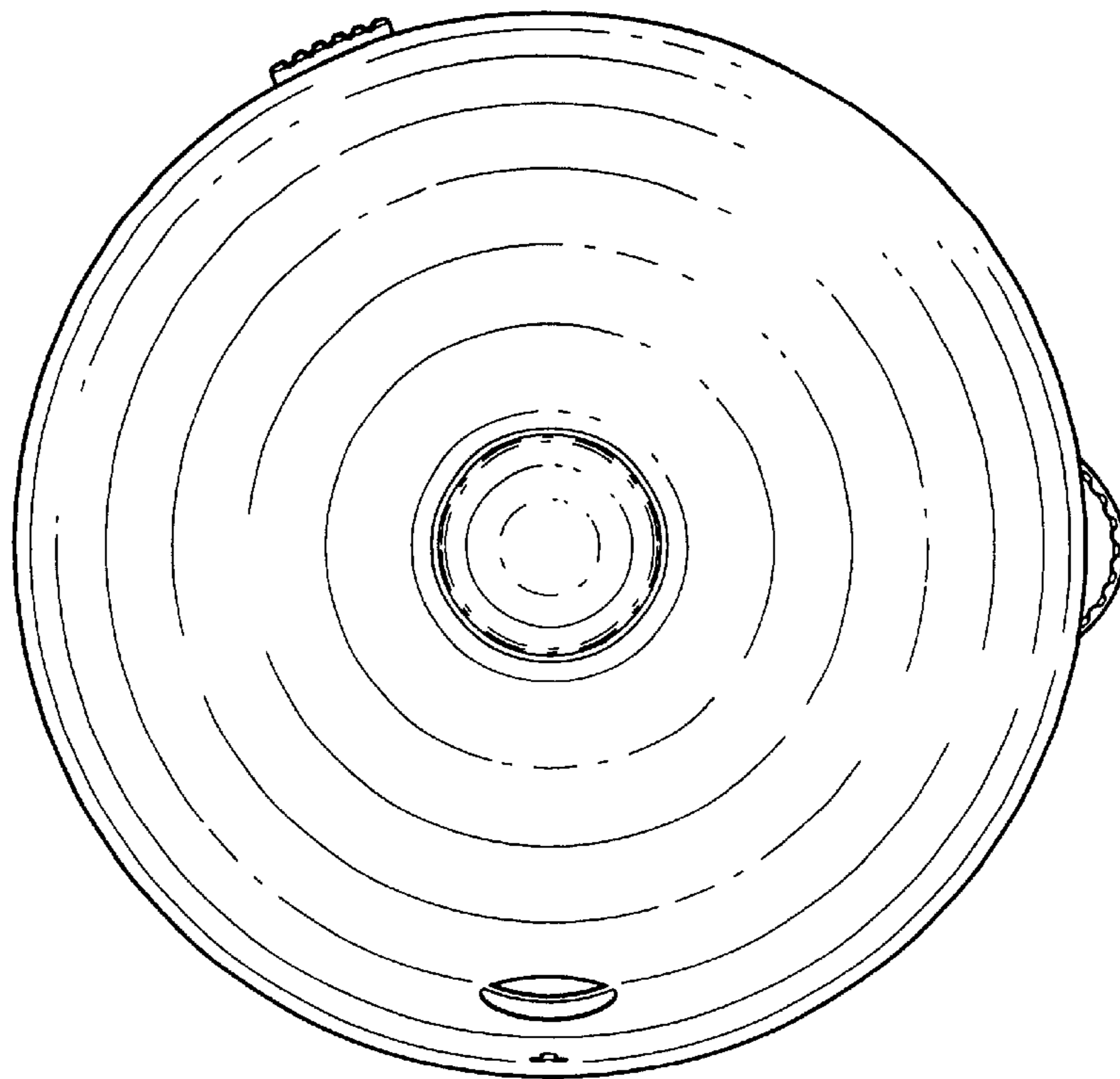


FIG. 6

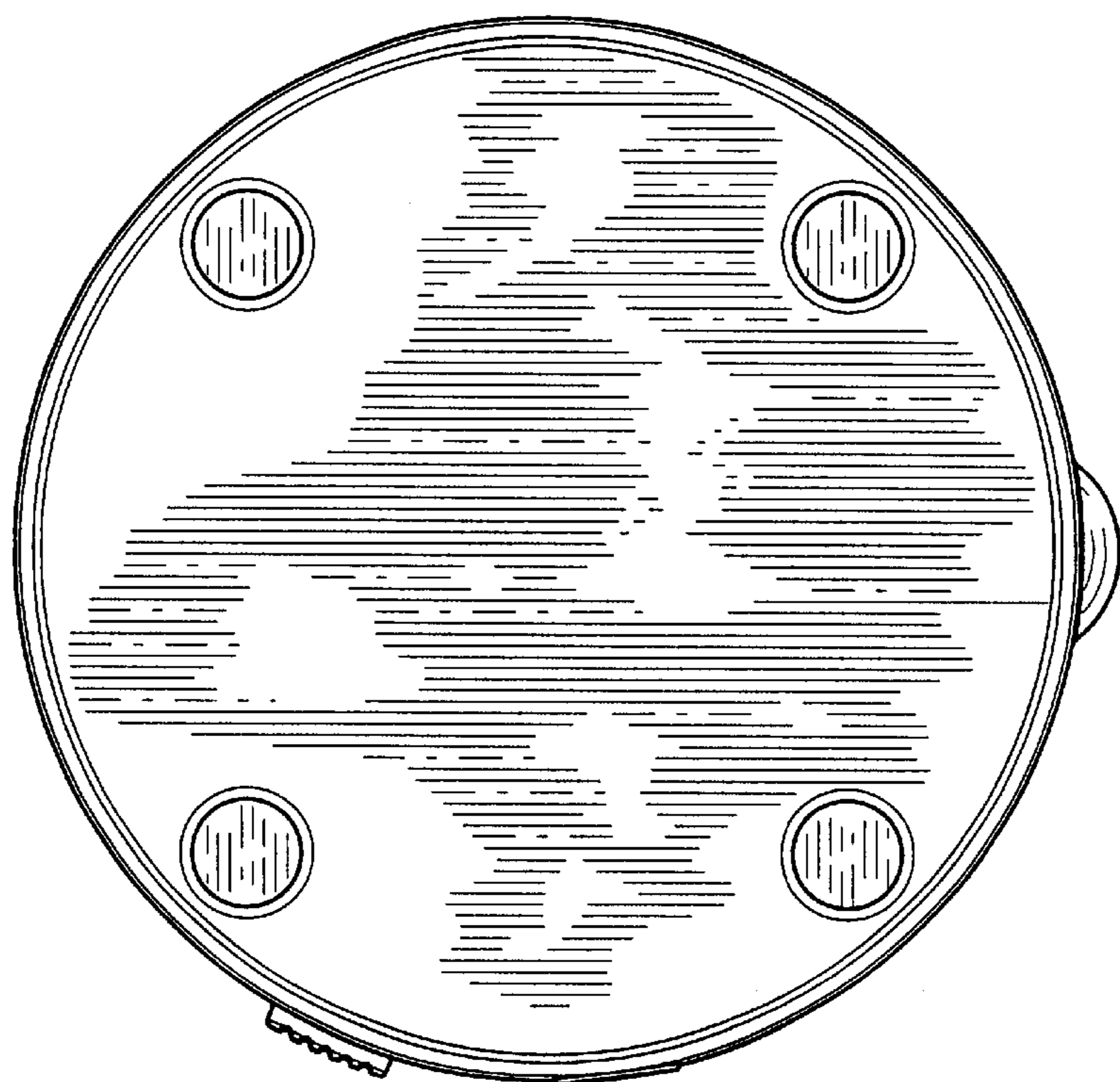


FIG. 7