



US00D488165S

(12) **United States Design Patent**
Harel et al.

(10) **Patent No.:** **US D488,165 S**

(45) **Date of Patent:** **** Apr. 6, 2004**

(54) **REVIEW DEVICE**

(75) Inventors: **Dan Harel**, Rochester, NY (US); **Frank Marino**, Rochester, NY (US); **Aubi Abramowitz**, Warwick, NY (US)

(73) Assignee: **Eastman Kodak Company**, Rochester, NY (US)

(**) Term: **14 Years**

(21) Appl. No.: **29/181,525**

(22) Filed: **May 12, 2003**

(51) **LOC (7) Cl.** **14-03**

(52) **U.S. Cl.** **D14/496; D21/329**

(58) **Field of Search** D14/496, 400, D14/401, 483, 315, 168, 125; D21/324, 329, 333; 273/148 B; 463/1, 29.35, 43-47; 345/156-158, 903, 905, 728

(56) **References Cited**

U.S. PATENT DOCUMENTS

| | | | | | |
|--------------|---|---------|------------------|-------|---------|
| D378,677 S | * | 4/1997 | Matsumoto et al. | | D14/496 |
| D435,527 S | * | 12/2000 | Lino et al. | | D14/496 |
| D467,887 S | * | 12/2000 | Azuma et al. | | D14/168 |
| 6,262,785 B1 | * | 7/2001 | Kim | | 345/905 |
| 6,307,535 B1 | * | 10/2001 | Kim et al. | | 345/156 |
| 6,400,351 B1 | * | 6/2002 | Ishizawa et al. | | 345/156 |
| 6,507,338 B1 | * | 1/2003 | Liao et al. | | 345/156 |
| D473,227 S | * | 4/2003 | Hussaini et al. | | D14/217 |
| D477,850 S | * | 7/2003 | Hussaini et al. | | D14/496 |

* cited by examiner

Primary Examiner—Prabhakar Deshmukh
(74) *Attorney, Agent, or Firm*—Roland R. Schindler, II

(57) **CLAIM**

The ornamental design for a review device, as shown and described.

DESCRIPTION

The article in which the design is embodied is a device that permits a user to review video/motion images, still images and/or associated audio.

FIG. 1 is a perspective view illustrating the front, top, and right side of the review device.

FIG. 2 is a perspective view of the back, bottom and left side of the review device.

FIG. 3 is a front elevation view of the review device.

FIG. 4 is a back elevation view of the review device.

FIG. 5 is a top elevation view of the review device.

FIG. 6 is a bottom elevation view of the review device.

FIG. 7 is a right elevation view of the review device.

FIG. 8 is a left elevation view of the review device.

FIG. 9 is a front elevation view of the review device with a camera slide in a deployed position.

FIG. 10 is a back elevation view of the review device with a camera slide in a deployed position

FIG. 11 is a right elevation view of the review device with a camera slide in a deployed position; and,

FIG. 12 is a left elevation view of the review device with a camera slide in a deployed position.

1 Claim, 7 Drawing Sheets



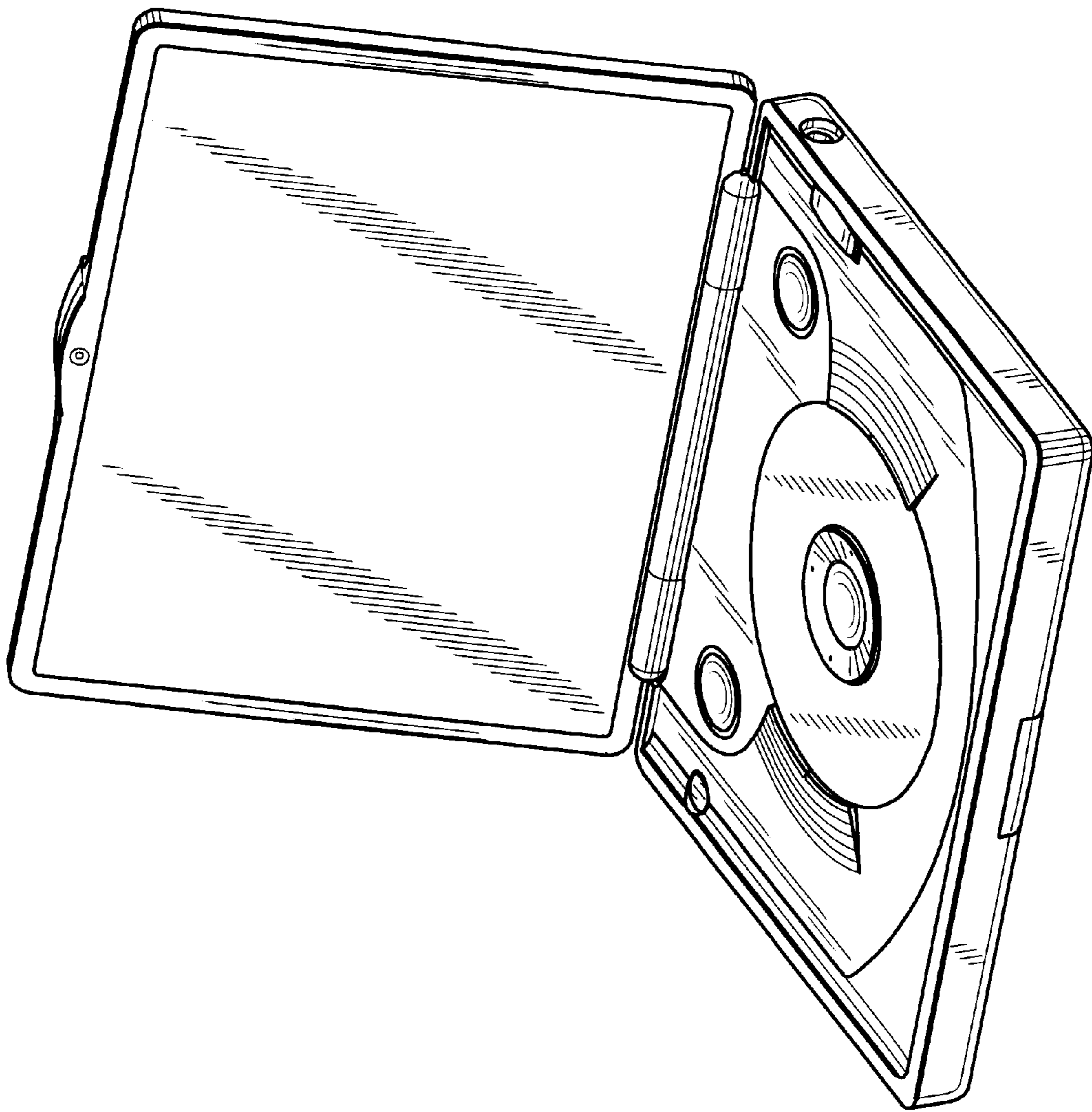


FIG. 1

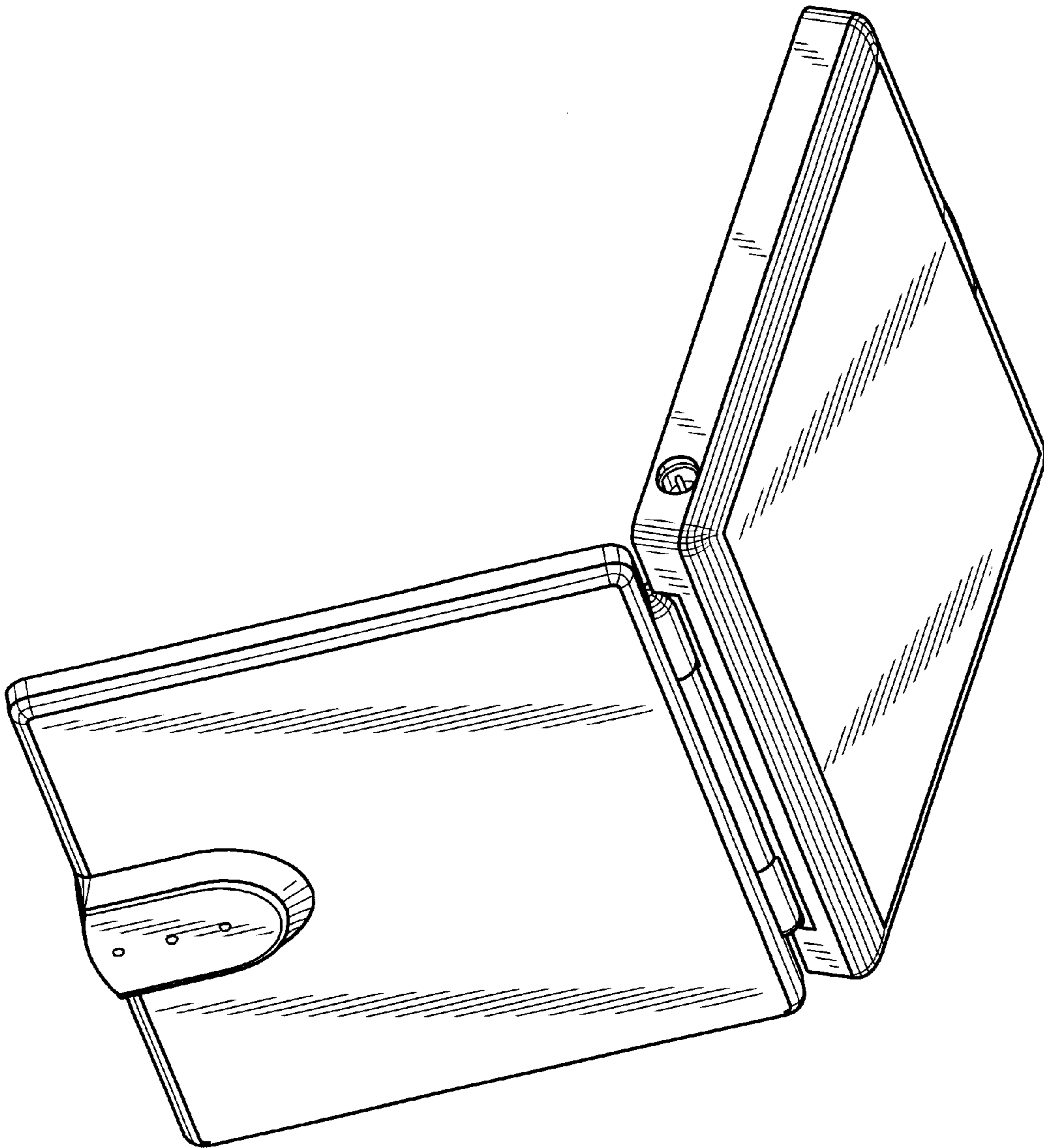


FIG. 2

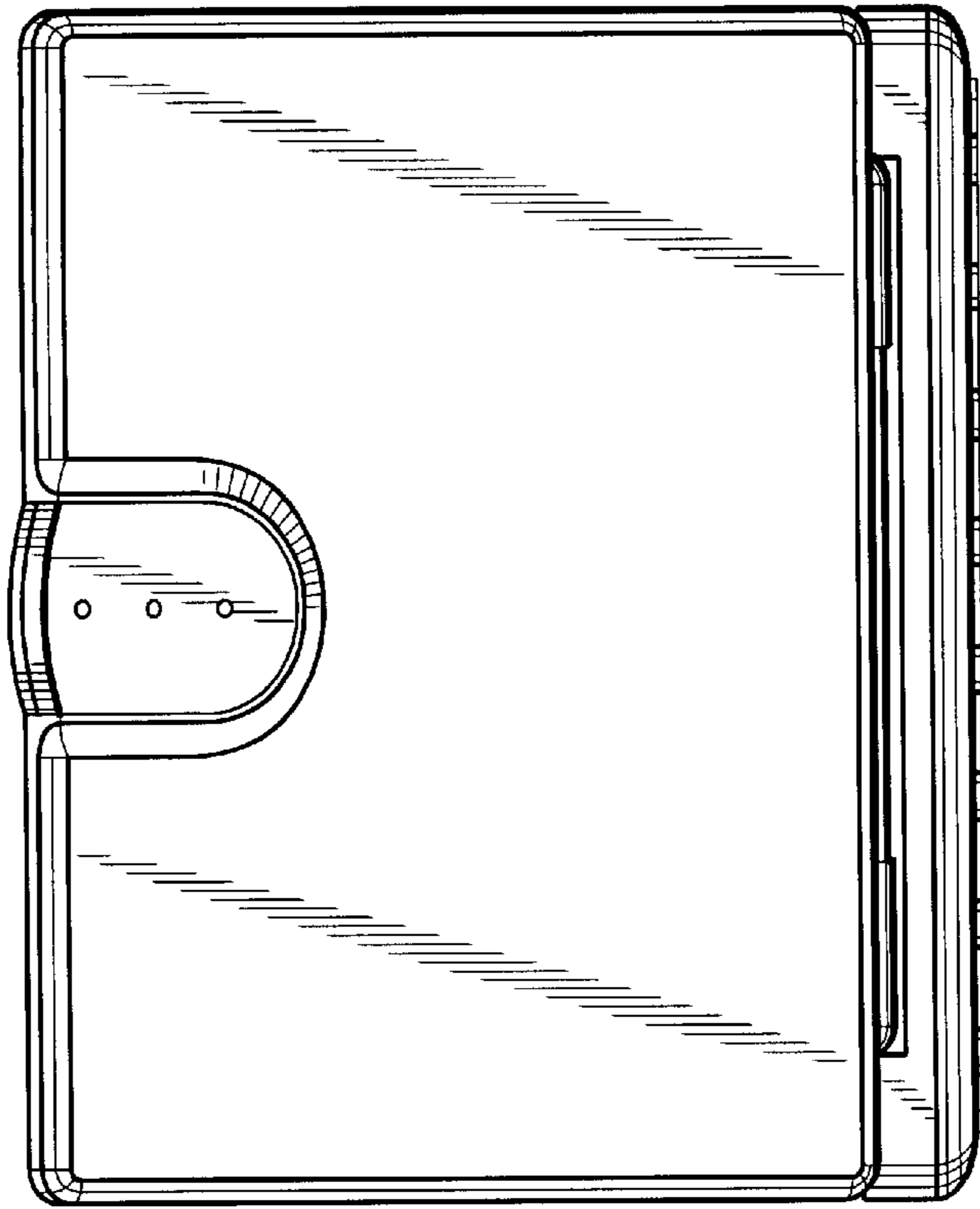


FIG. 4

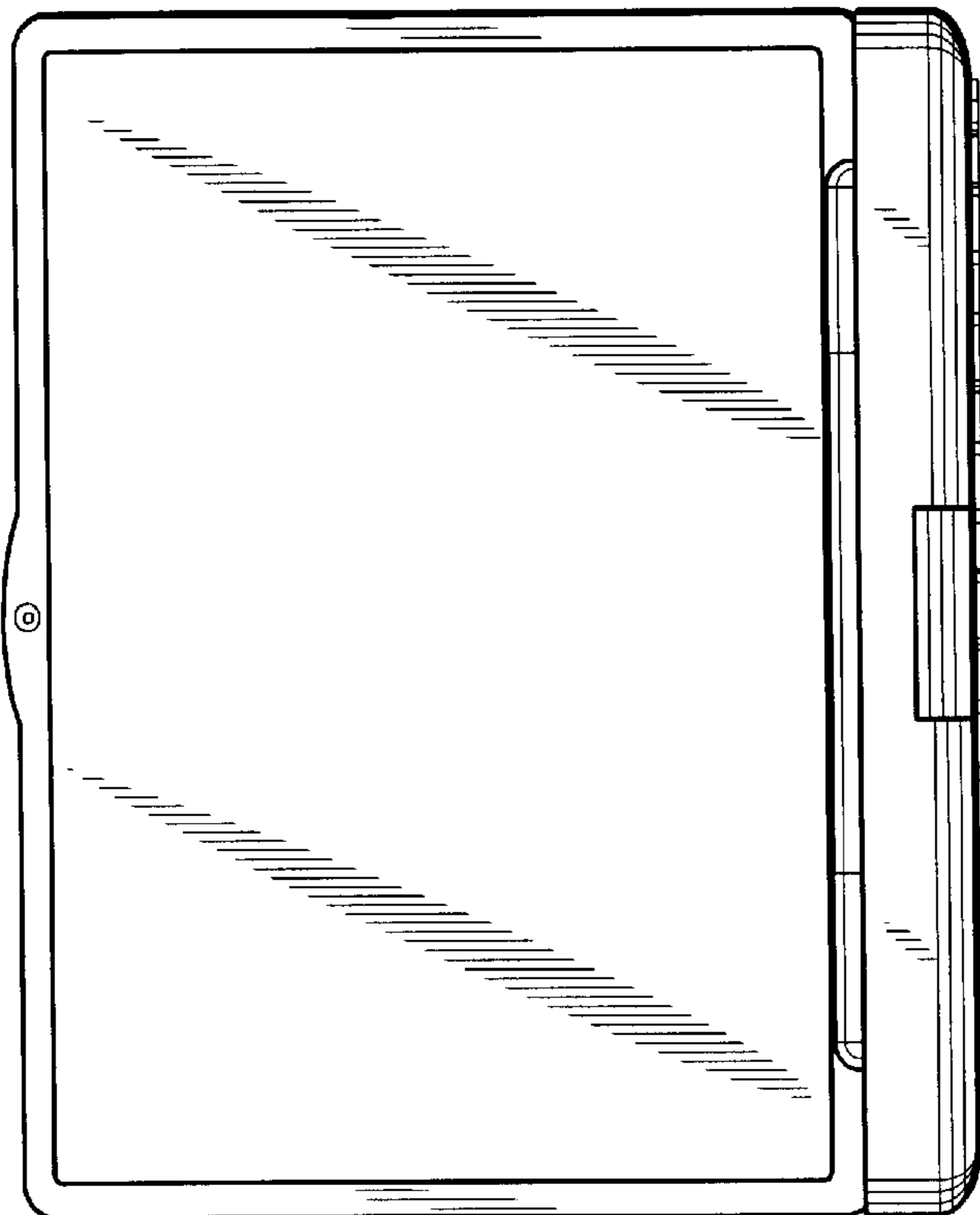


FIG. 3

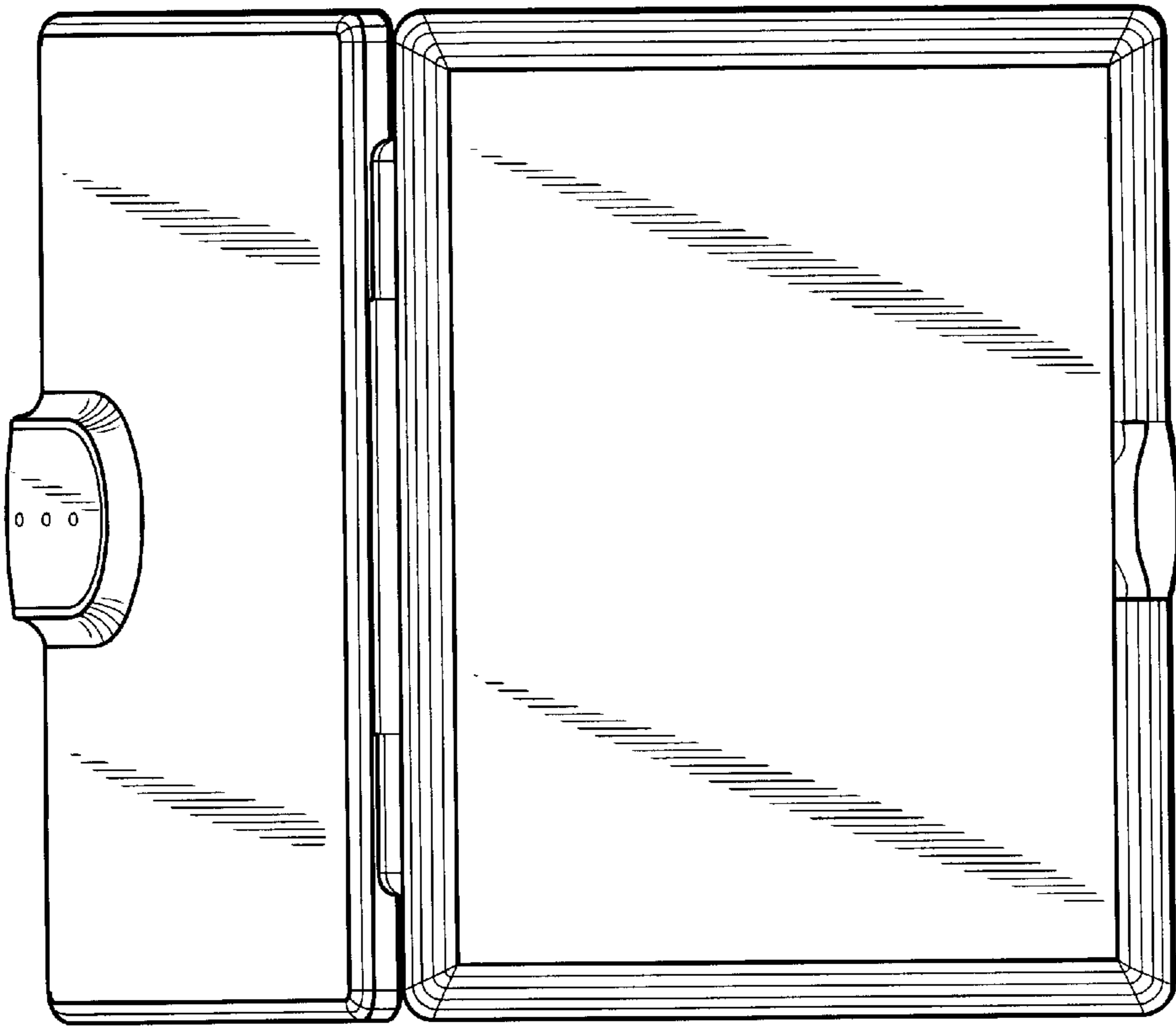


FIG. 6

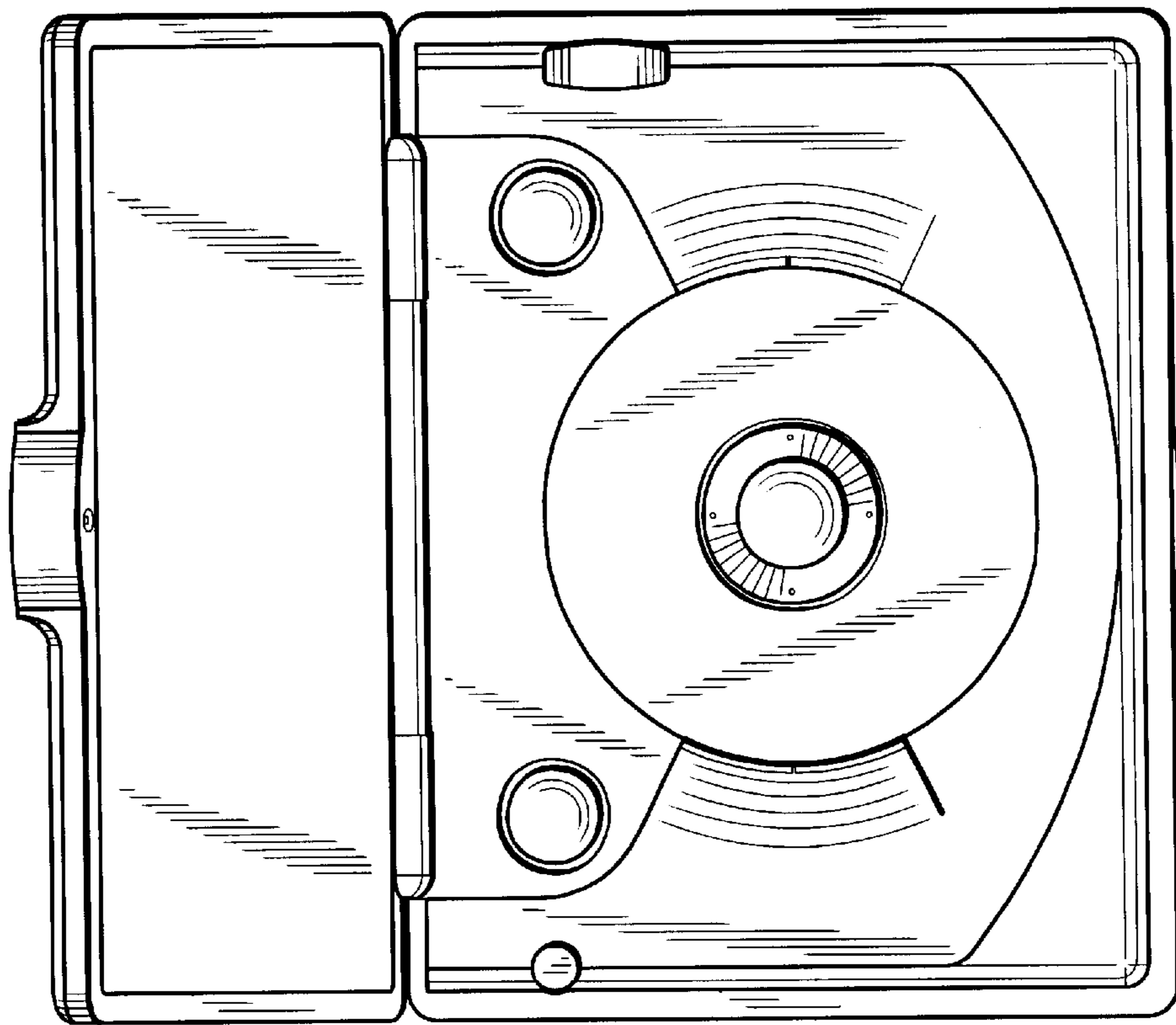


FIG. 5

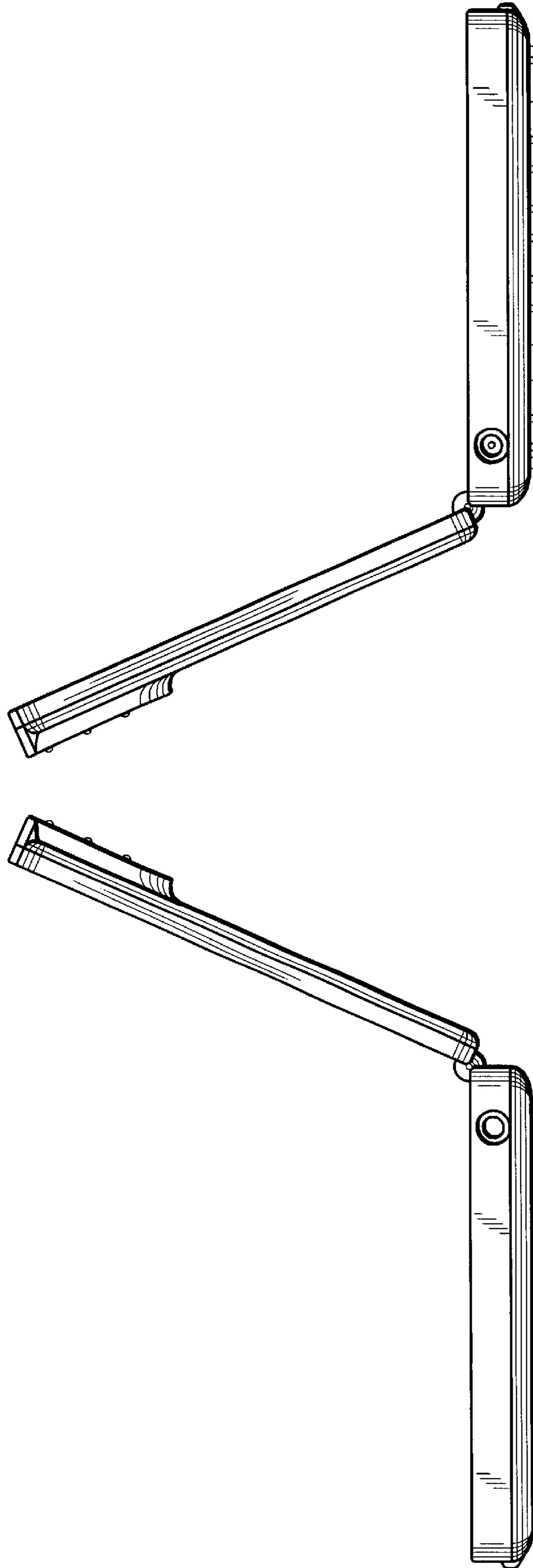


FIG. 8

FIG. 7

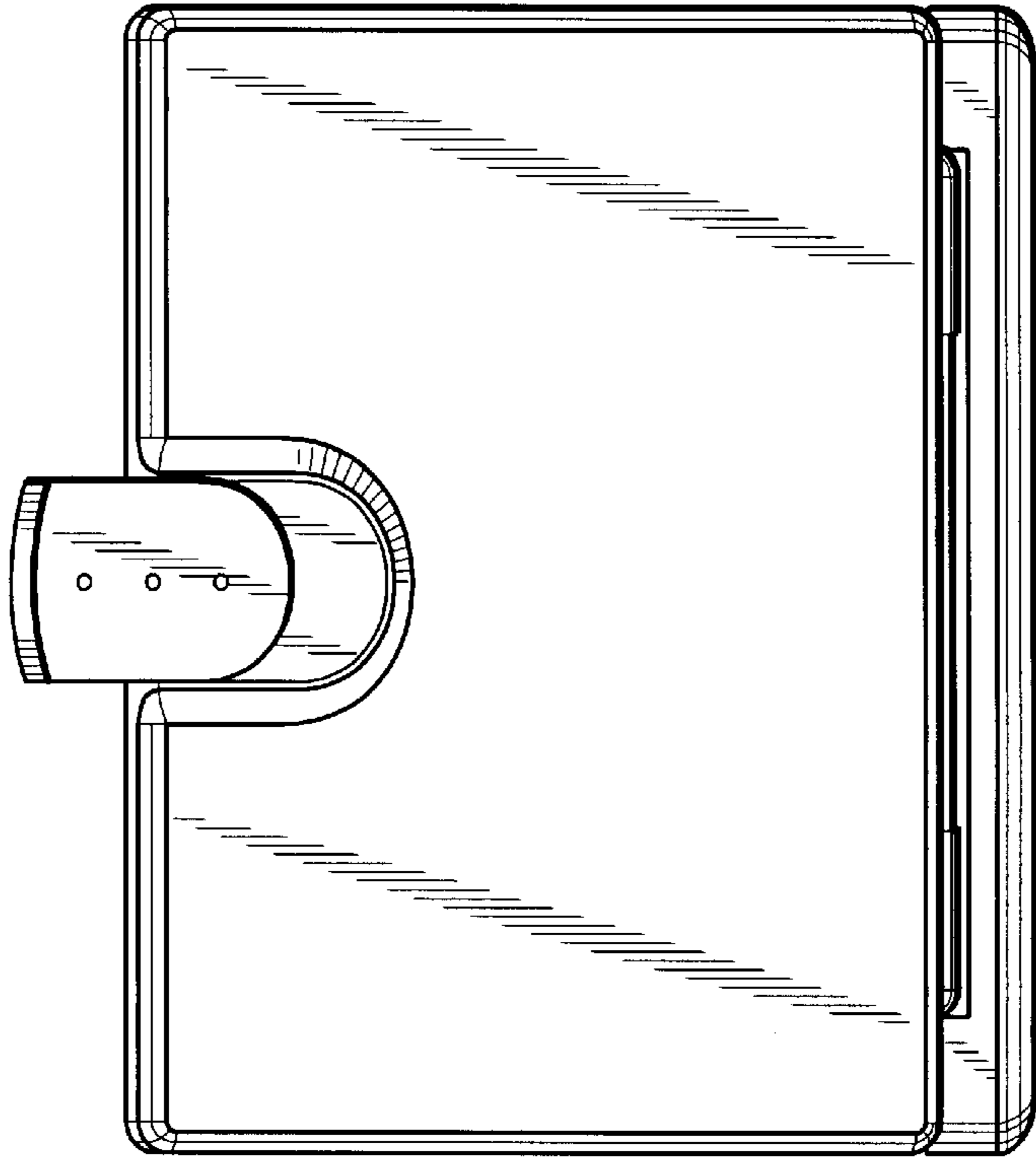


FIG. 10

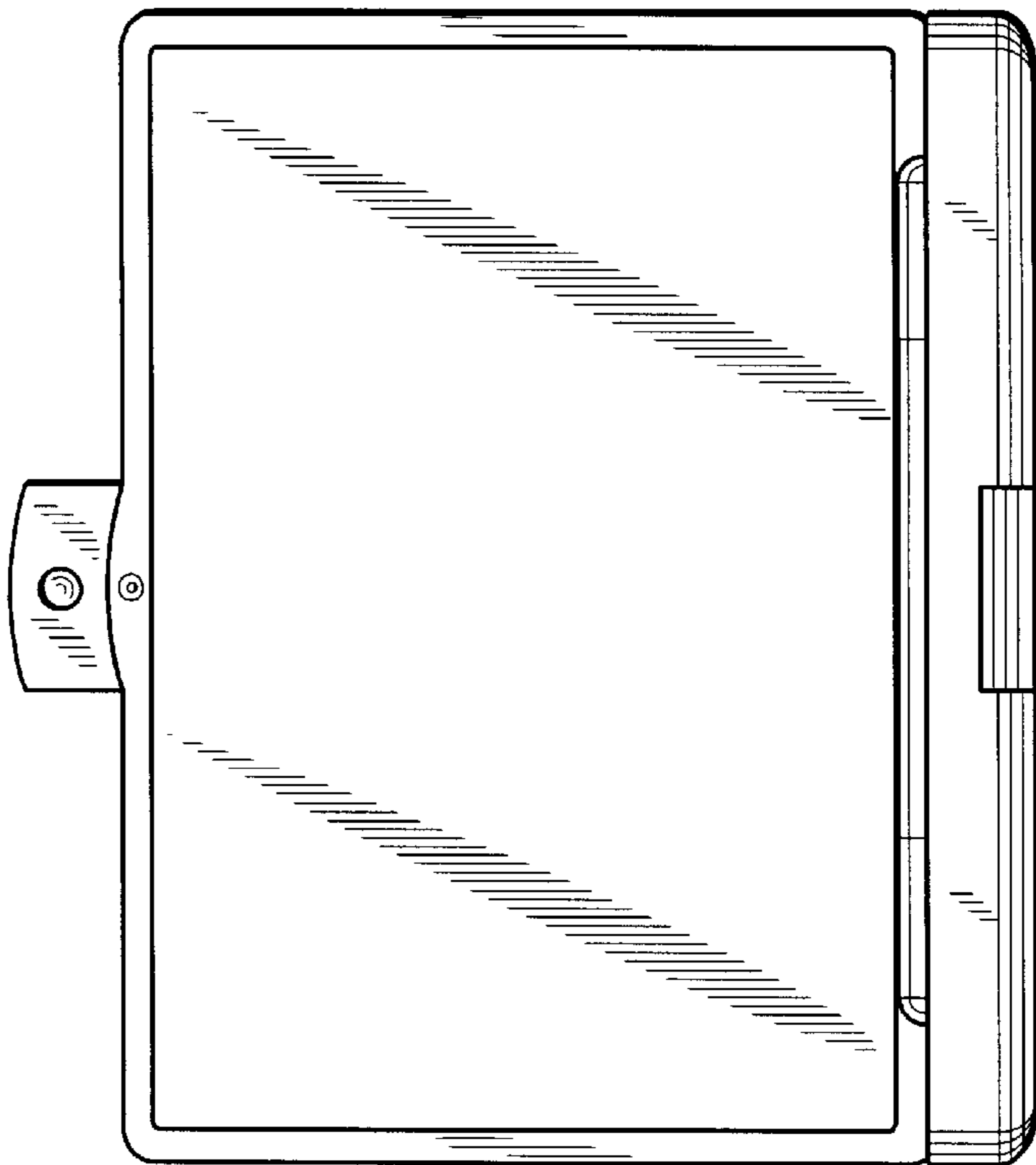


FIG. 9

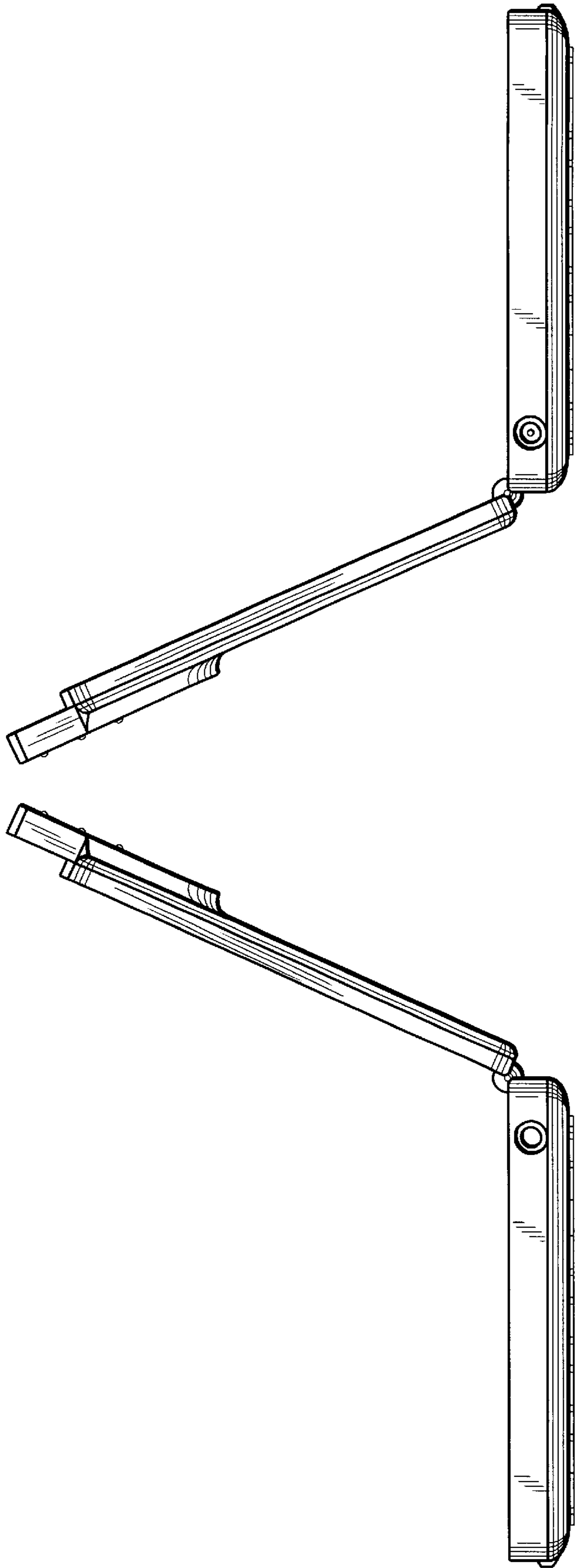


FIG. 12

FIG. 11