



US00D488163S

(12) **United States Design Patent**
Hunt

(10) **Patent No.:** **US D488,163 S**

(45) **Date of Patent:** **** Apr. 6, 2004**

(54) **COMPUTER STAND MONITOR ARM**

(75) Inventor: **Morris Dean Hunt**, Stantonville, TN (US)

(73) Assignee: **DBH Attachments, Inc.**, Adamsville, TN (US)

(**) Term: **14 Years**

(21) Appl. No.: **29/172,391**

(22) Filed: **Dec. 11, 2002**

(51) **LOC (7) Cl.** **14-02**

(52) **U.S. Cl.** **D14/452**

(58) **Field of Search** D14/452, 432, D14/448, 451; 248/282.1, 283.1, 917-24, 425, 424, 411, 183.1, 670, 284.1, 285.1

(56) **References Cited**

U.S. PATENT DOCUMENTS

- 4,687,167 A 8/1987 Skalka et al.
- 4,805,538 A 2/1989 Fisher et al.
- 4,880,193 A * 11/1989 Warshawsky
- D323,323 S * 1/1992 Klaebel
- 5,101,736 A 4/1992 Bommarito et al.
- D331,921 S * 12/1992 Gutke et al.
- 5,379,205 A * 1/1995 Peng
- 5,443,017 A 8/1995 Wacker et al.
- 5,526,756 A 6/1996 Watson

- 5,704,298 A 1/1998 Corpuz, Jr. et al.
- D391,148 S * 2/1998 Rosen
- D435,852 S * 1/2001 Oddsen, Jr.
- D446,045 S 8/2001 Hunt et al.
- 6,409,134 B1 * 6/2002 Oddsen, Jr.

* cited by examiner

Primary Examiner—M. H. Tung

(74) *Attorney, Agent, or Firm*—Blackwell Sanders Peper Martin, LLP

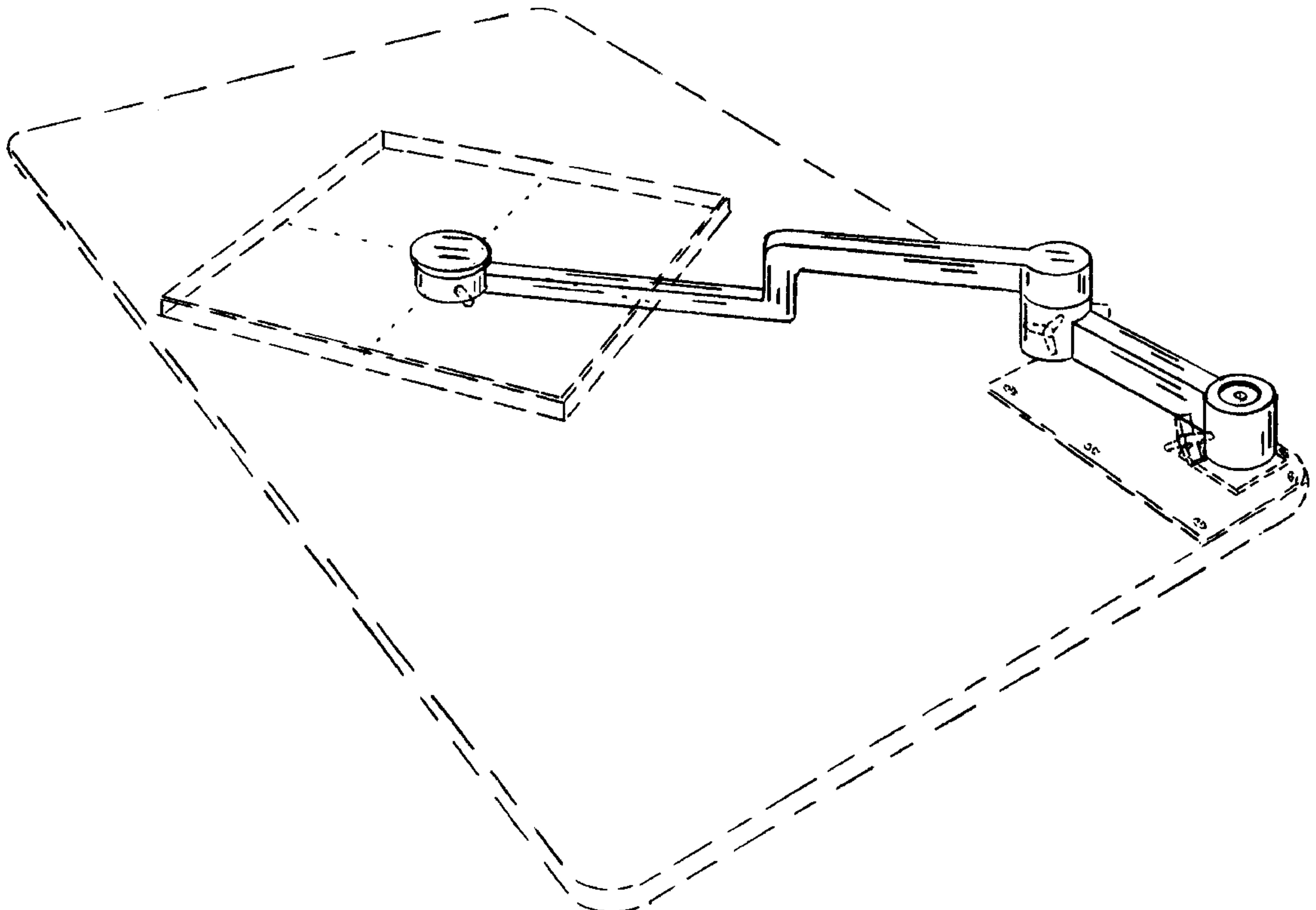
(57) **CLAIM**

The ornamental design for a computer stand monitor arm, as shown and described.

DESCRIPTION

FIG. 1 is a top perspective view of a computer stand monitor arm in accordance with and showing my new design;
 FIG. 2 is a top plan view thereof;
 FIG. 3 is a bottom plan view thereof;
 FIG. 4 is a front elevational view thereof;
 FIG. 5 is a back elevational view thereof;
 FIG. 6 is a left end elevational view thereof; and,
 FIG. 7 is a right end elevational view thereof.
 The broken line drawings of a computer stand, table, brackets and attachment elements in all views are for illustrative purpose only and form no part of the claimed design.

1 Claim, 4 Drawing Sheets



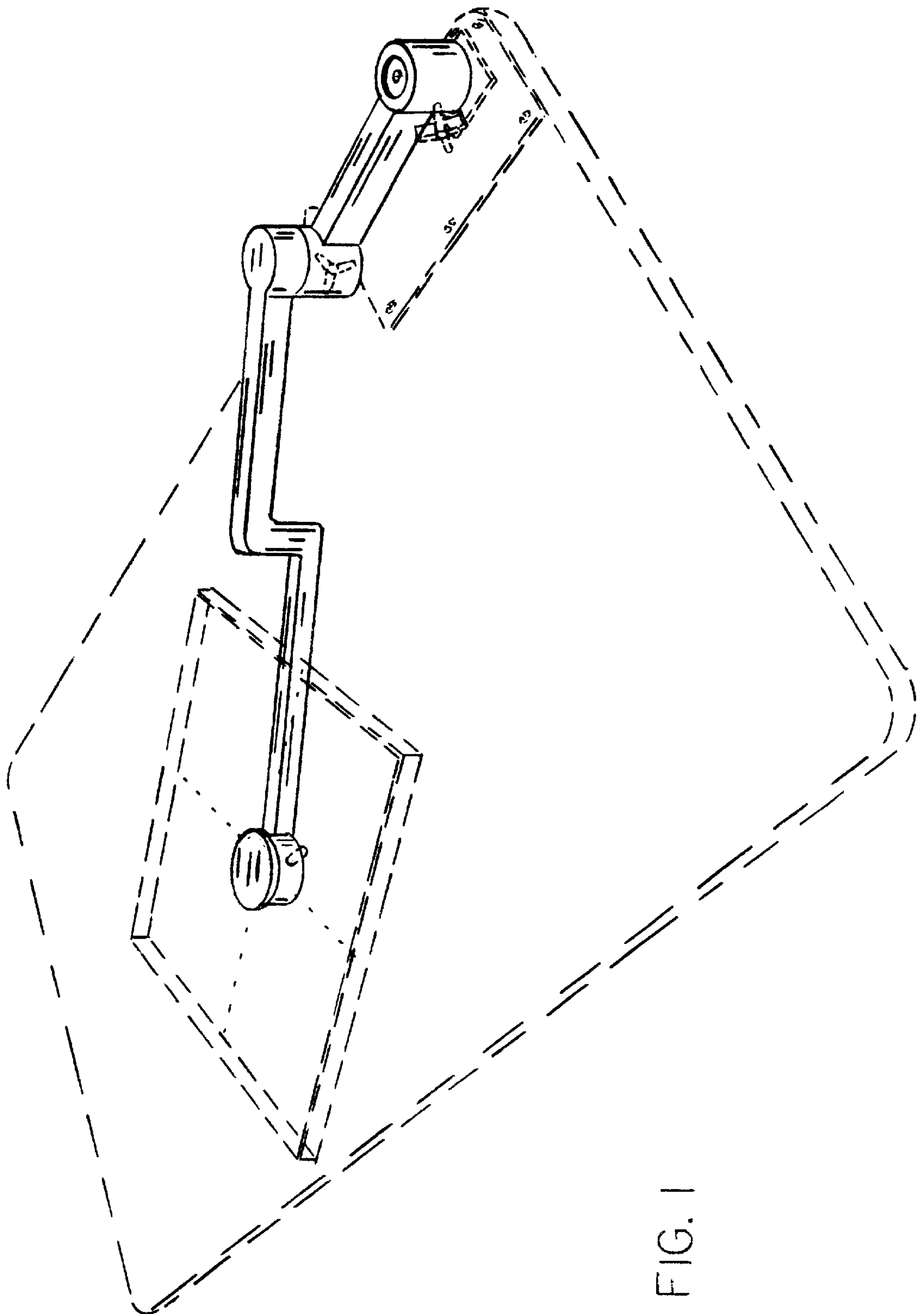


FIG. 1

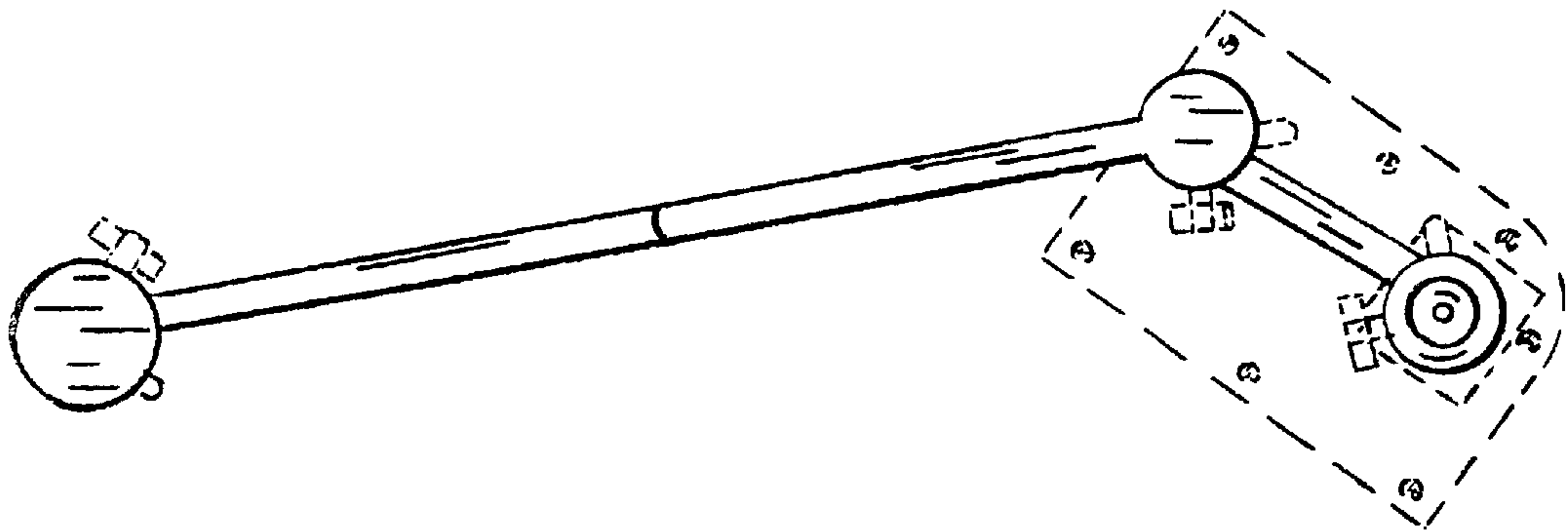


FIG. 2

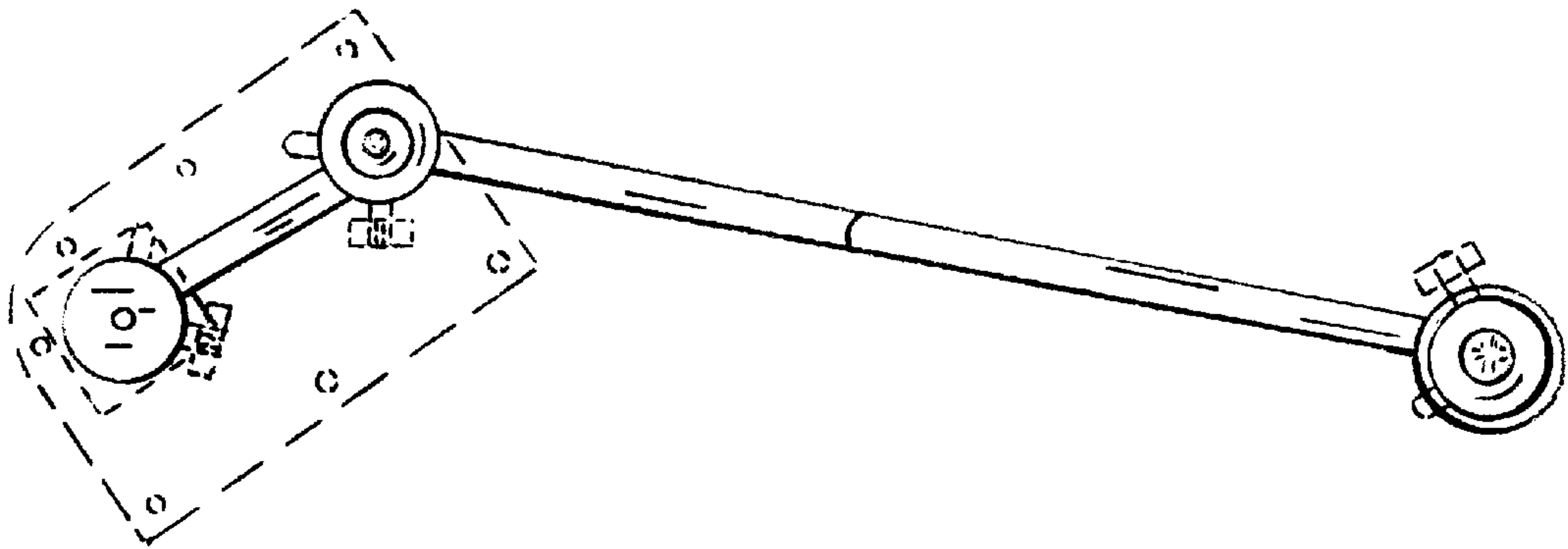


FIG. 3

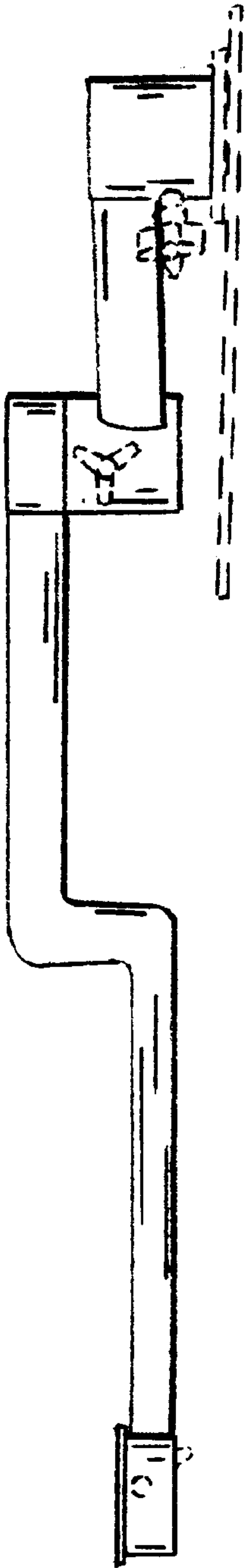


FIG. 4

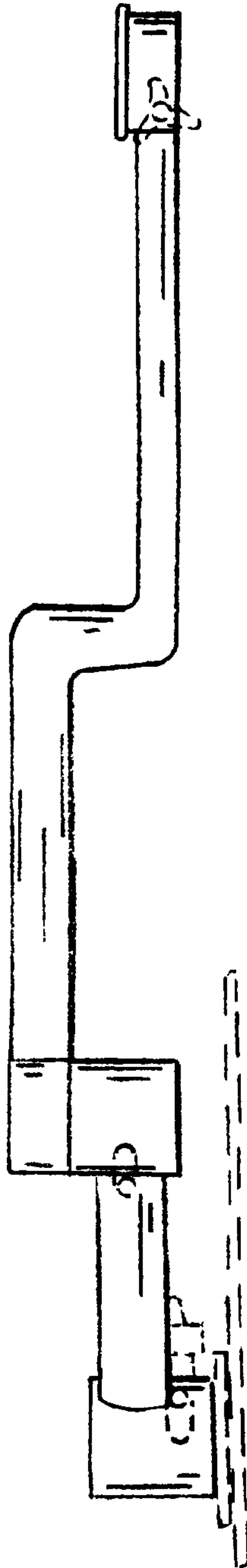


FIG. 5

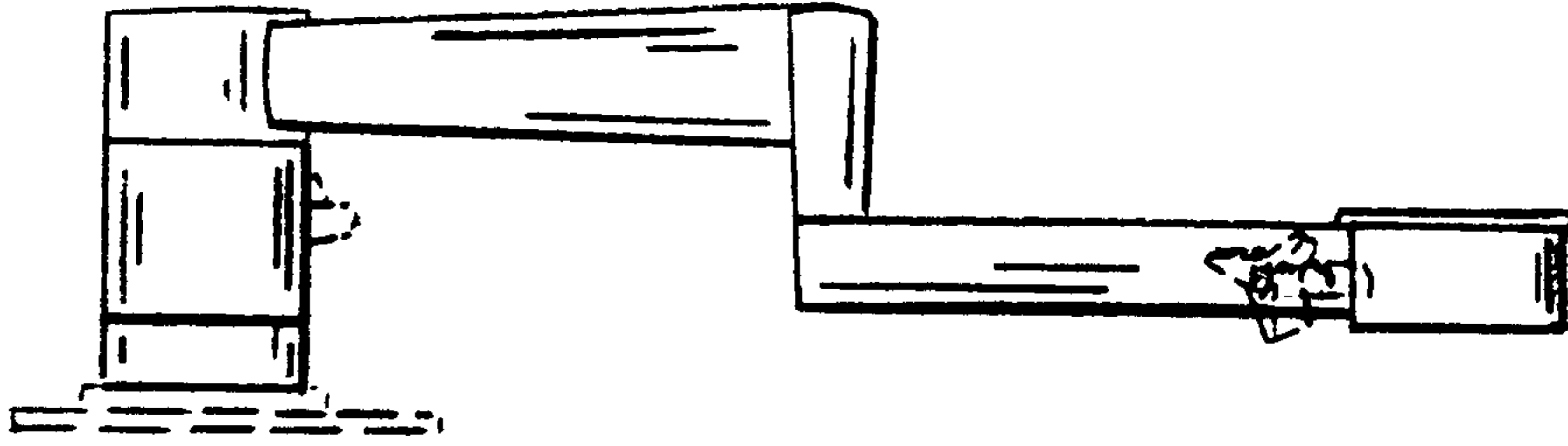


FIG. 6

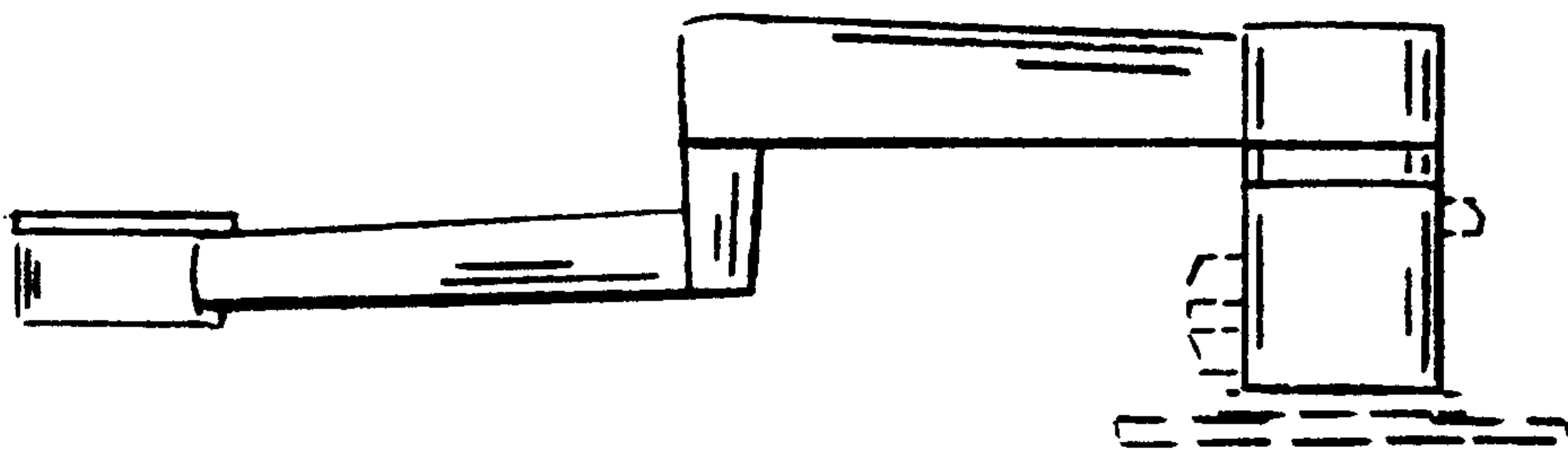


FIG. 7