



US00D488154S

(12) **United States Design Patent**
Lovelady et al.

(10) **Patent No.:** **US D488,154 S**

(45) **Date of Patent:** **** Apr. 6, 2004**

(54) **COMBINATION PERSONAL DIGITAL ASSISTANT AND VIDEO CAMERA**

(75) Inventors: **Brett Lovelady**, Saratoga, CA (US);
Maaiké L Evers, San Francisco, CA (US);
Symon Whitehorn, San Francisco, CA (US)

(73) Assignee: **Hewlett-Packard Development Company, L.P.**, Houston, TX (US)

(**) Term: **14 Years**

(21) Appl. No.: **29/177,145**

(22) Filed: **Mar. 3, 2003**

Related U.S. Application Data

(63) Continuation-in-part of application No. 29/174,731, filed on Jan. 23, 2003.

(51) **LOC (7) Cl.** **14-02**

(52) **U.S. Cl.** **D14/345**

(58) **Field of Search** D14/341-345,
D14/320, 317; D18/1, 2, 7; 235/145 A,
145 R; 345/156, 168, 169, 172, 173, 87;
349/12; 361/680-686; D16/208, 202; 348/373

(56) **References Cited**

U.S. PATENT DOCUMENTS

D363,471 S * 10/1995 Shima et al. D14/317
D369,146 S * 4/1996 Onoda et al. D14/320
6,118,653 A * 9/2000 Kim 361/683

6,141,052 A * 10/2000 Fukumitsu et al. 348/373
D442,172 S * 5/2001 Mizuno D14/317
6,323,902 B1 * 11/2001 Ishikawa 348/373
D462,956 S * 9/2002 Ogasawara D14/317

* cited by examiner

Primary Examiner—Freda Nunn

(74) *Attorney, Agent, or Firm*—Lloyd E. Dakin, Jr.

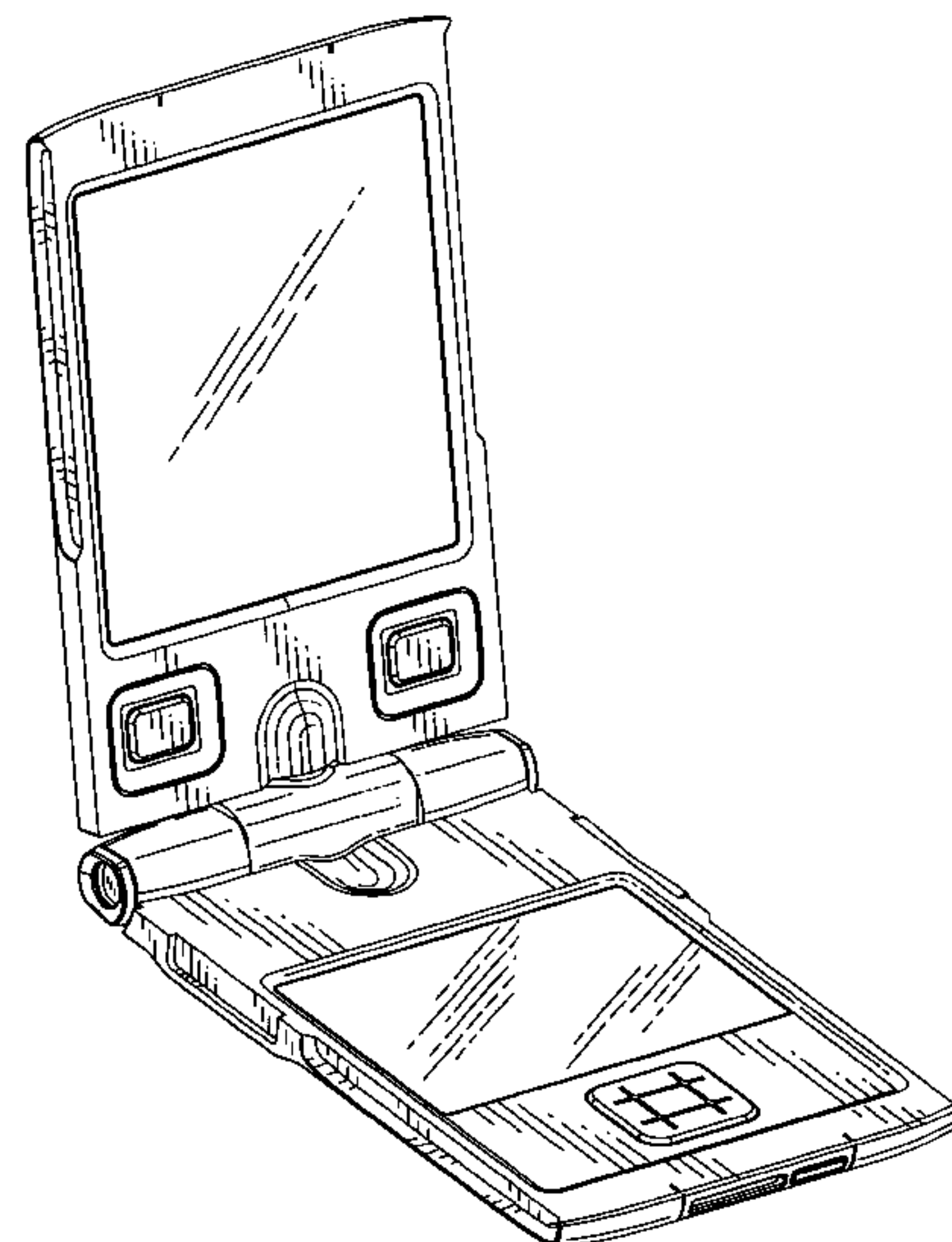
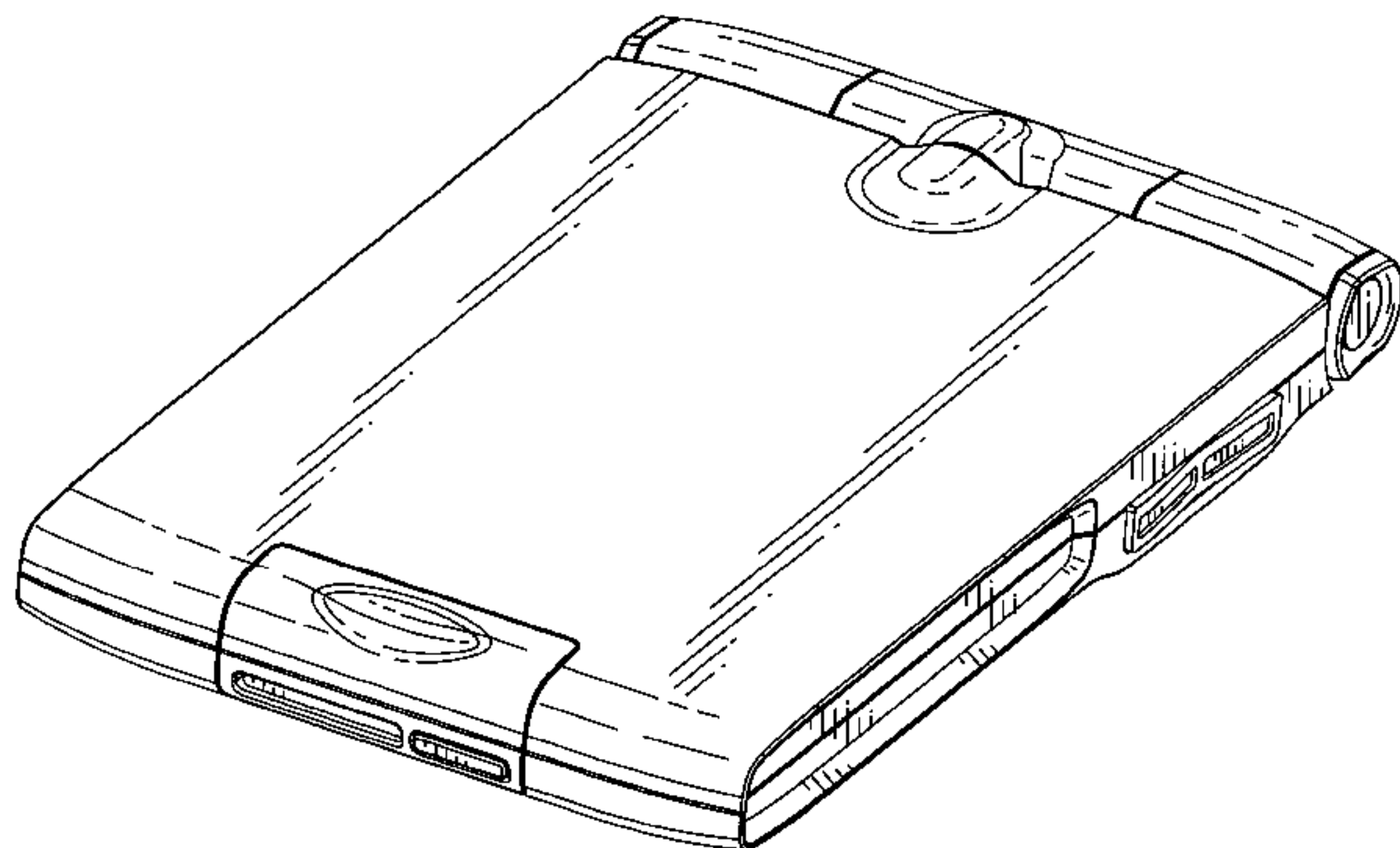
(57) **CLAIM**

What is claimed is the ornamental design for a combination personal digital assistant and video camera, as shown and described.

DESCRIPTION

FIG. 1 is a perspective view of a combination personal digital assistant and video camera showing the new design; FIG. 2 is a closed top plan view thereof; FIG. 3 is a closed bottom plan view thereof; FIG. 4 is a closed left side elevational view thereof; FIG. 5 is a closed right side elevational view thereof; FIG. 6 is a closed front elevational view thereof; FIG. 7 is a closed rear elevational view thereof; FIG. 8 is an open perspective view thereof; FIG. 9 is an open top plan view thereof; FIG. 10 is an open bottom plan view thereof; FIG. 11 is an open left side elevational view thereof; FIG. 12 is an open right side elevational view thereof; FIG. 13 is an open front elevational view thereof; and, FIG. 14 is an open rear elevational view thereof.

1 Claim, 12 Drawing Sheets



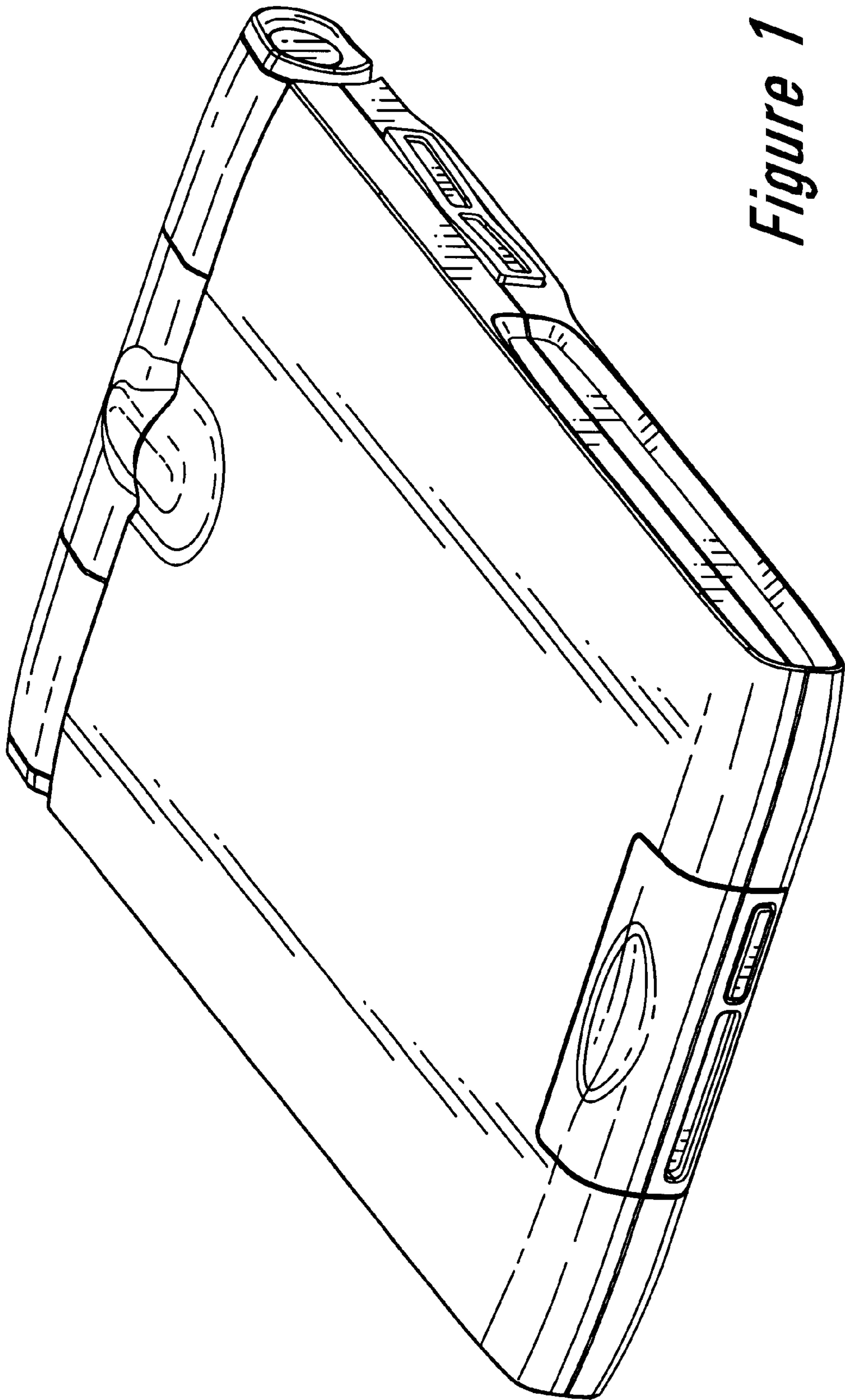


Figure 1

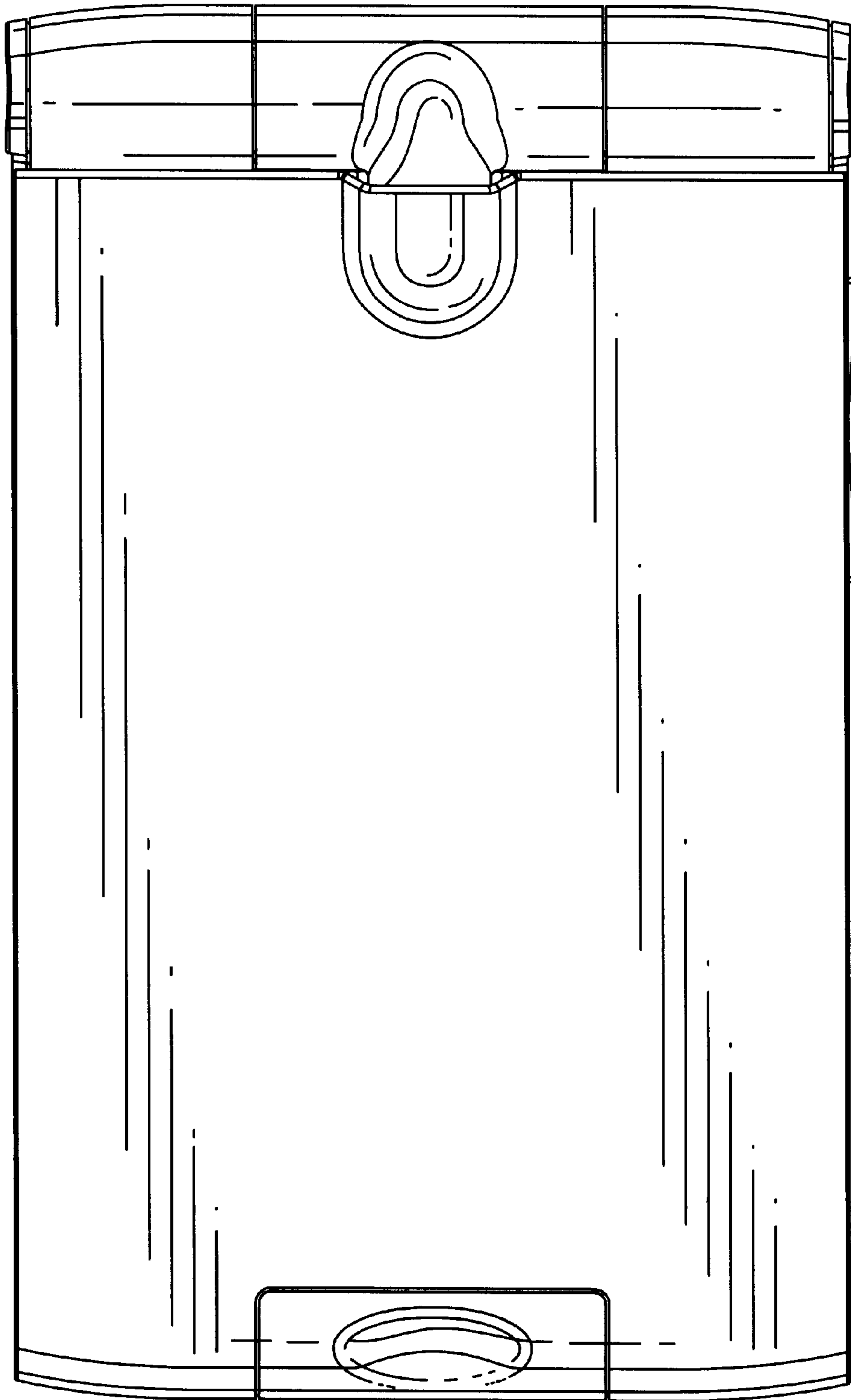


Figure 2

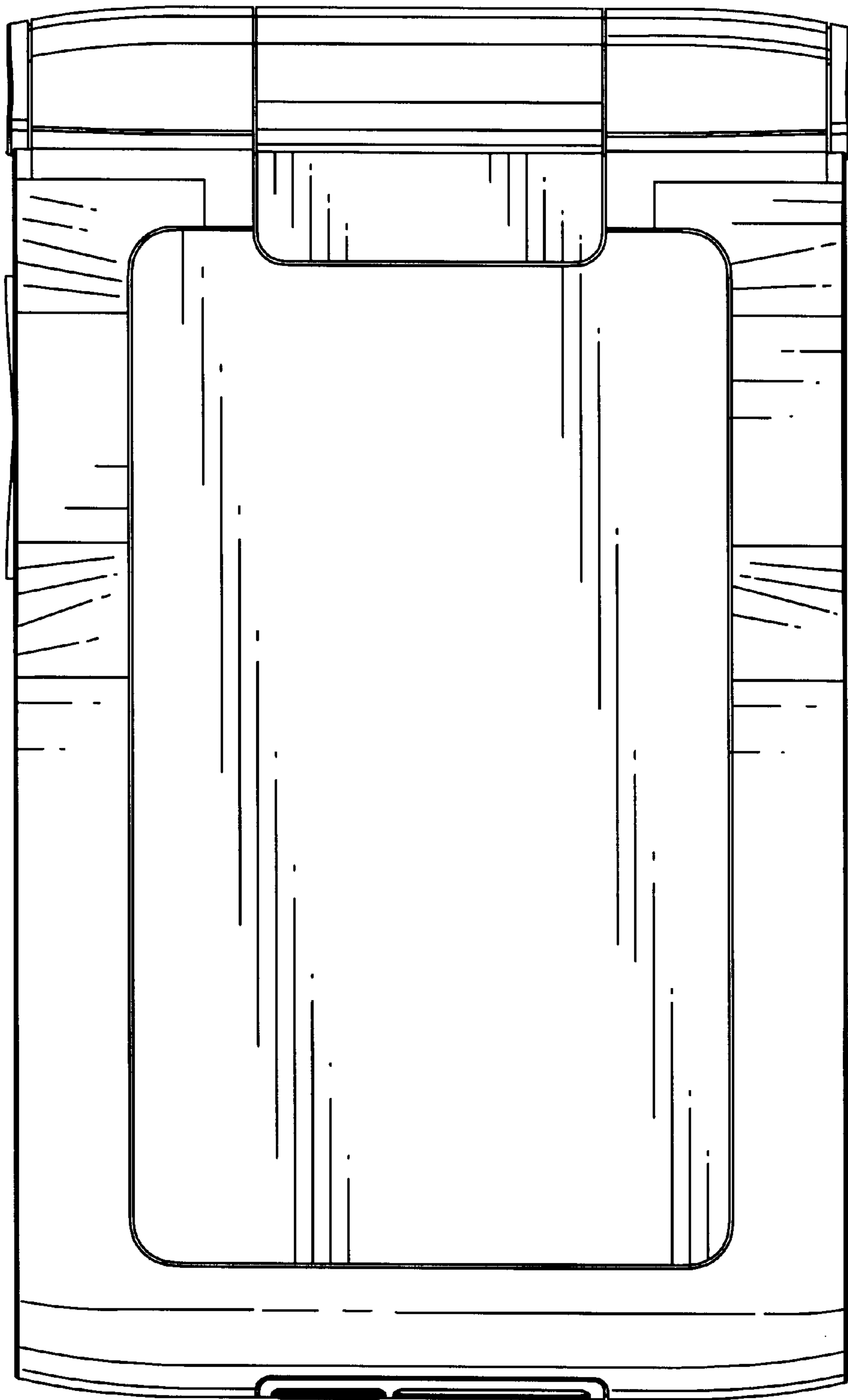


Figure 3

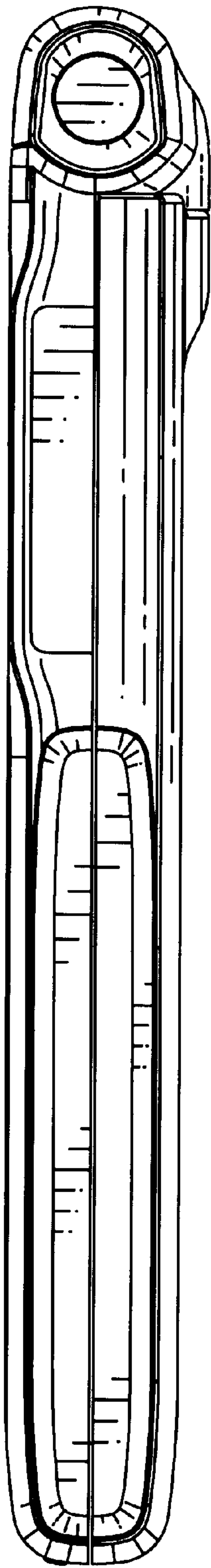


Figure 4

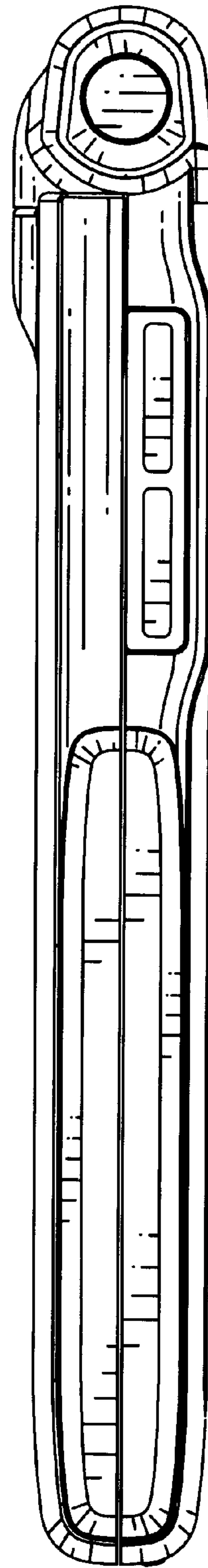


Figure 5

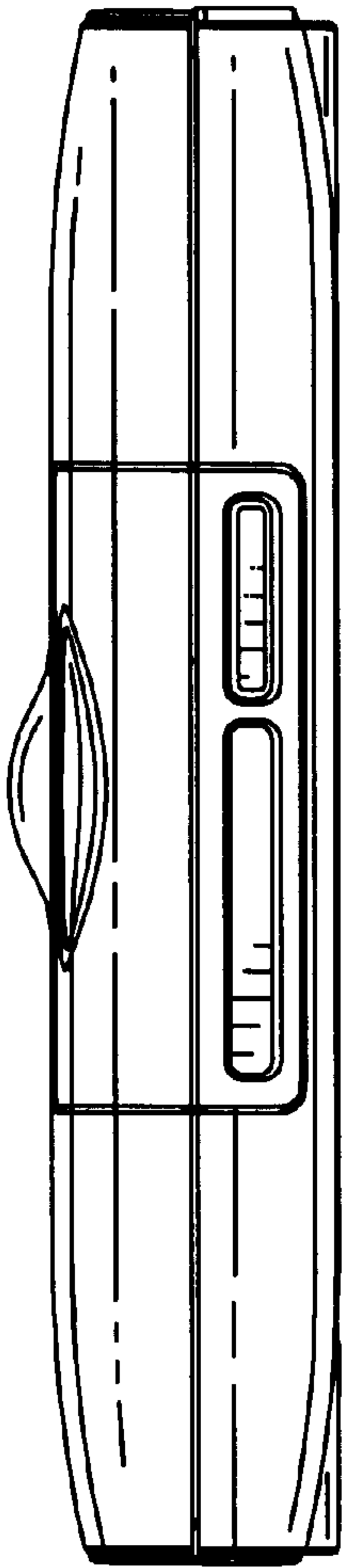


Figure 6

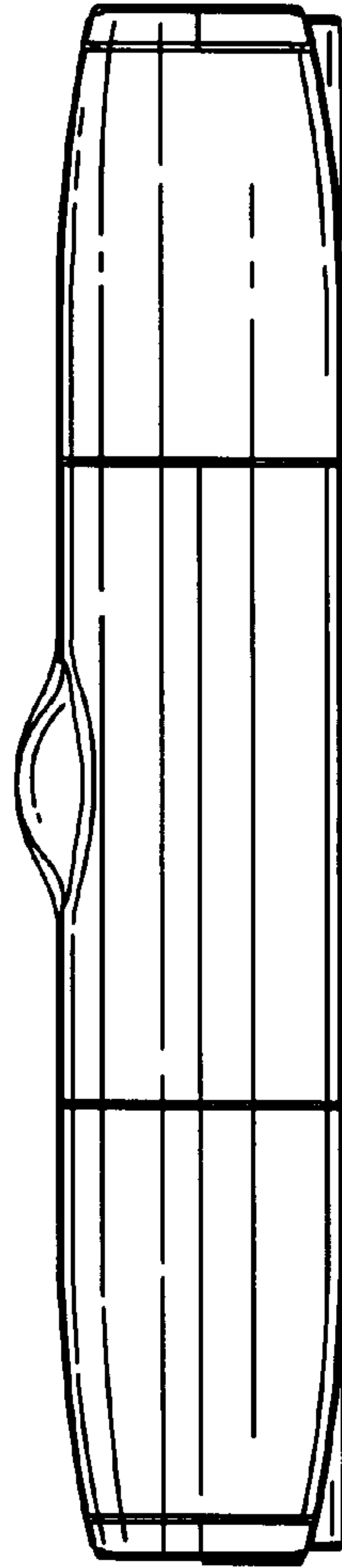


Figure 7

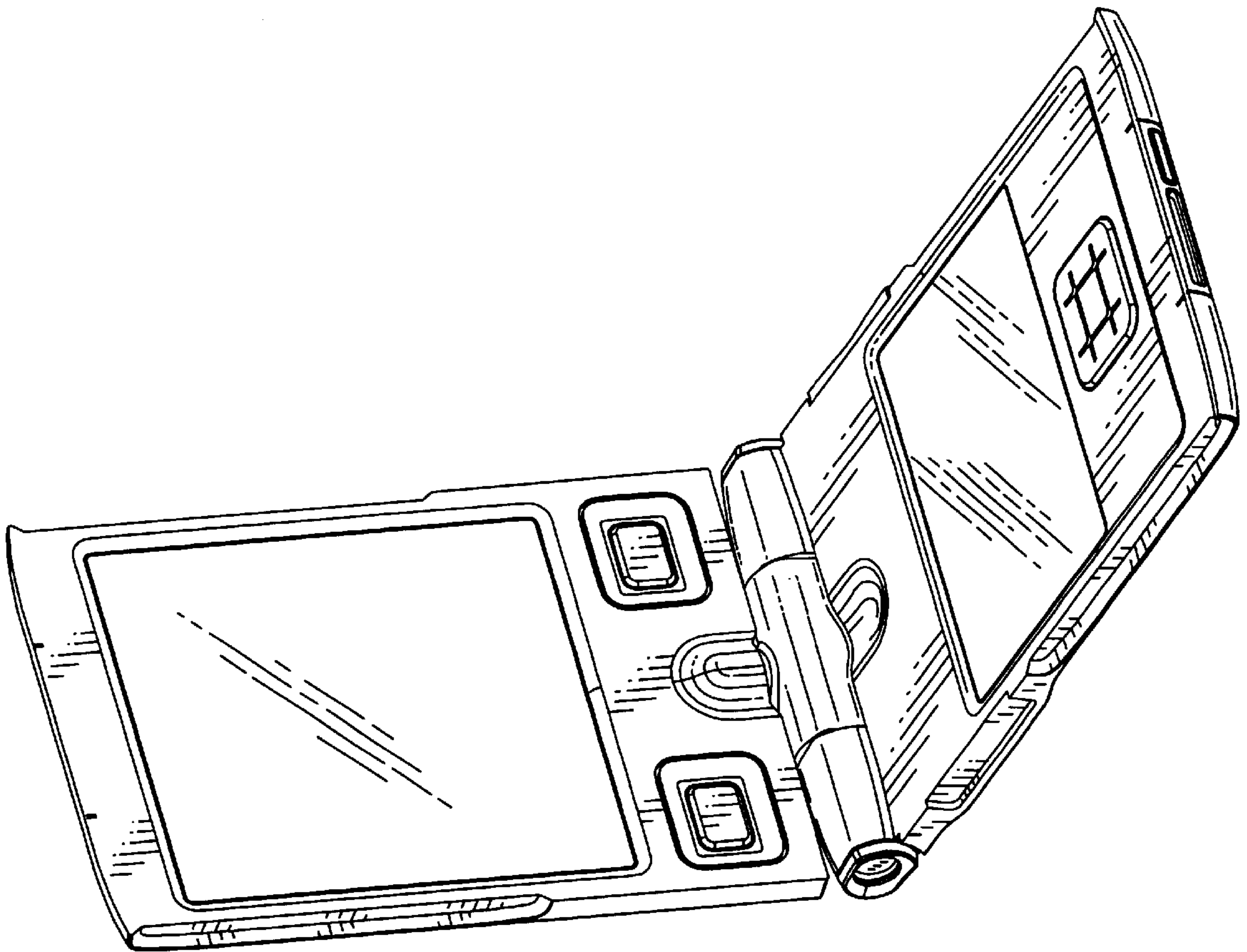


Figure 8

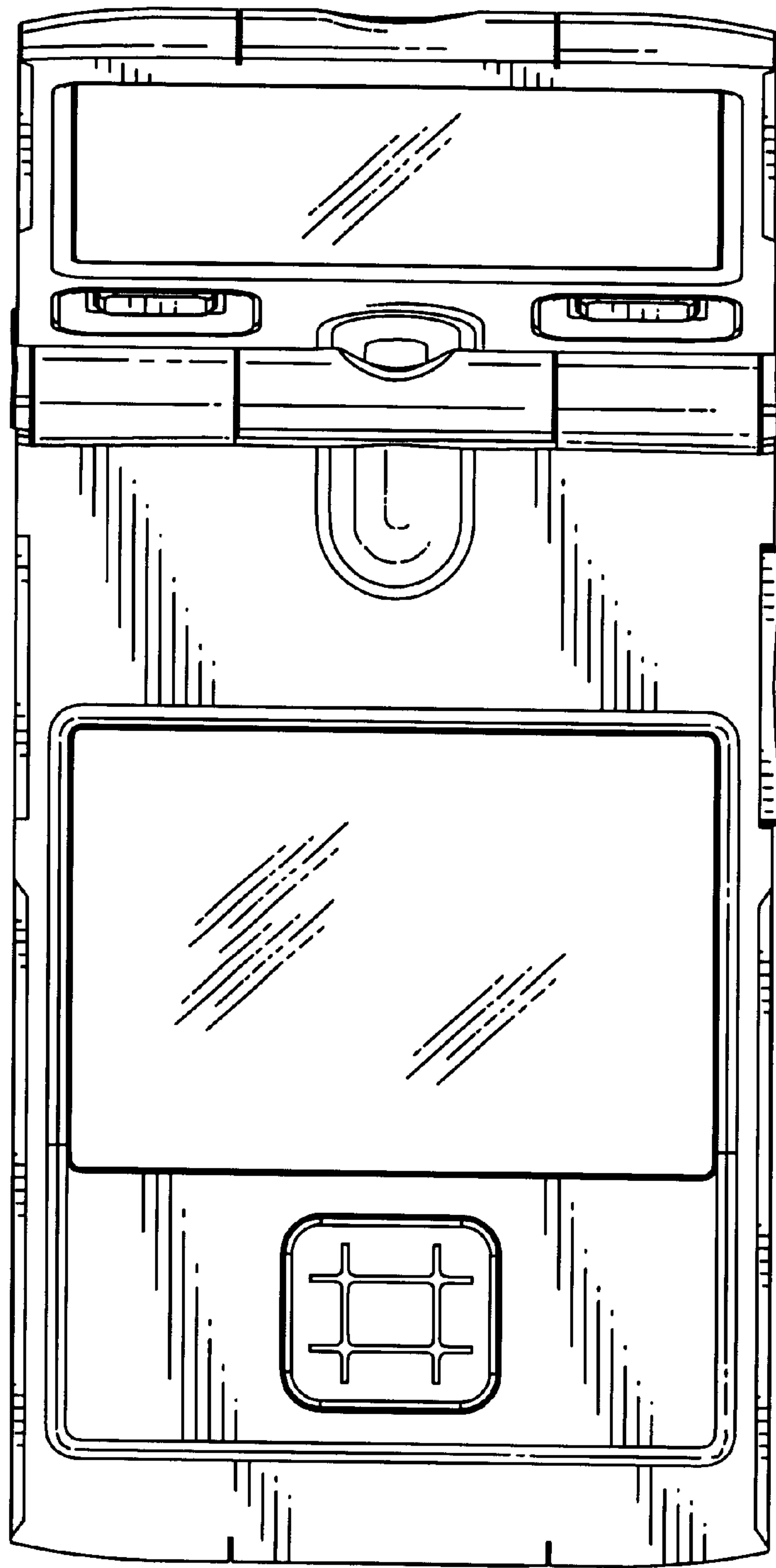


Figure 9

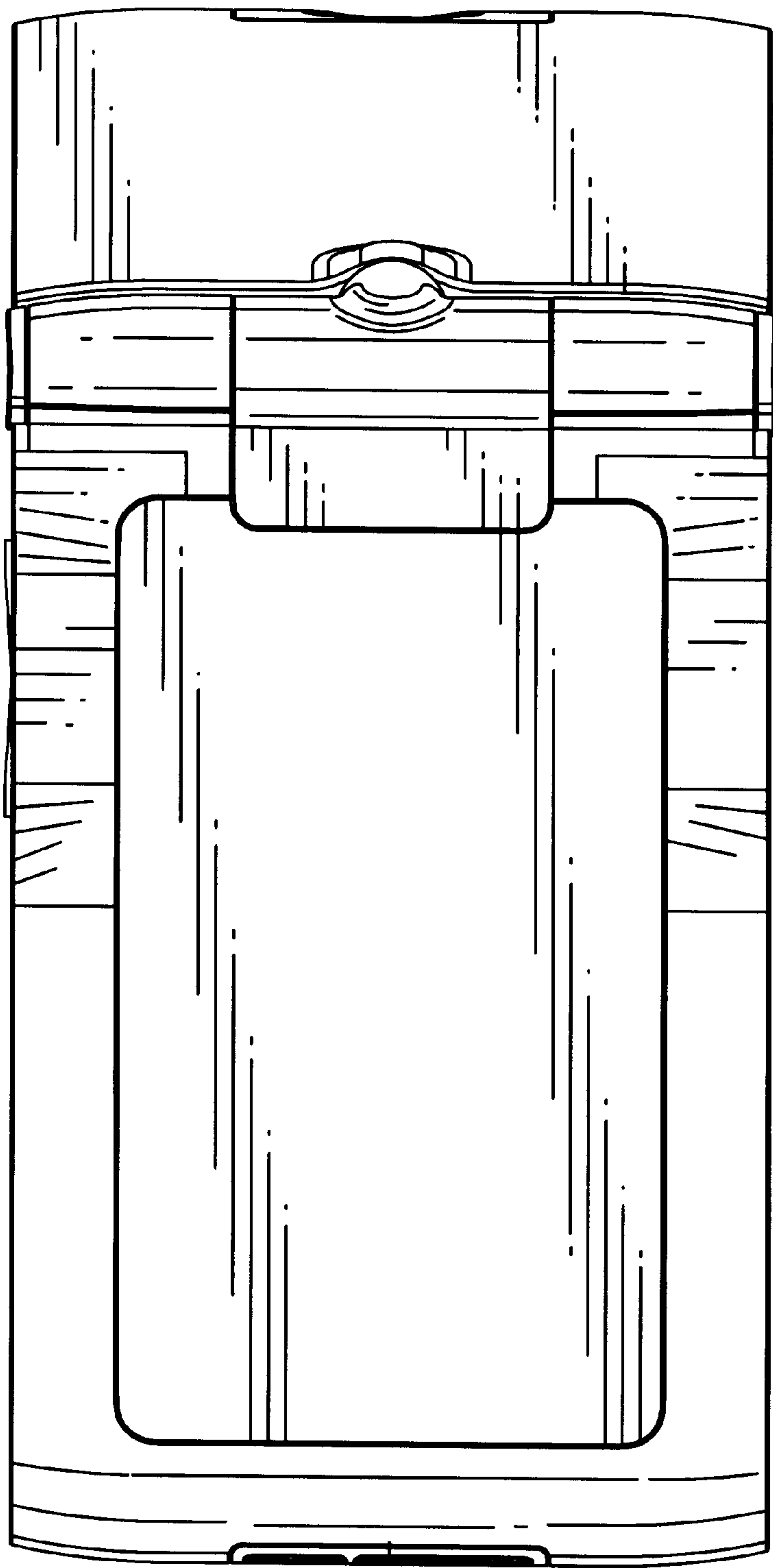


Figure 10

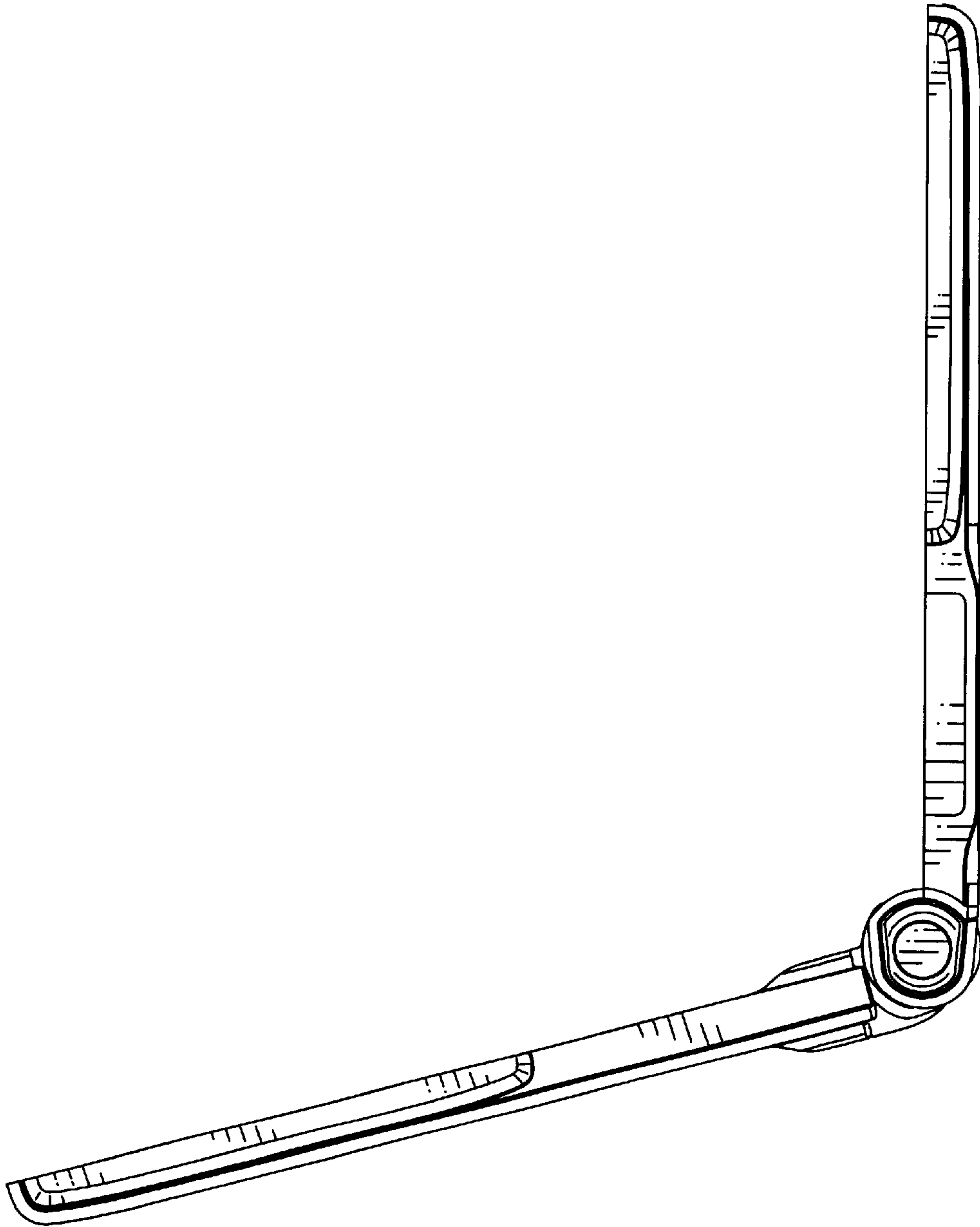


Figure 11

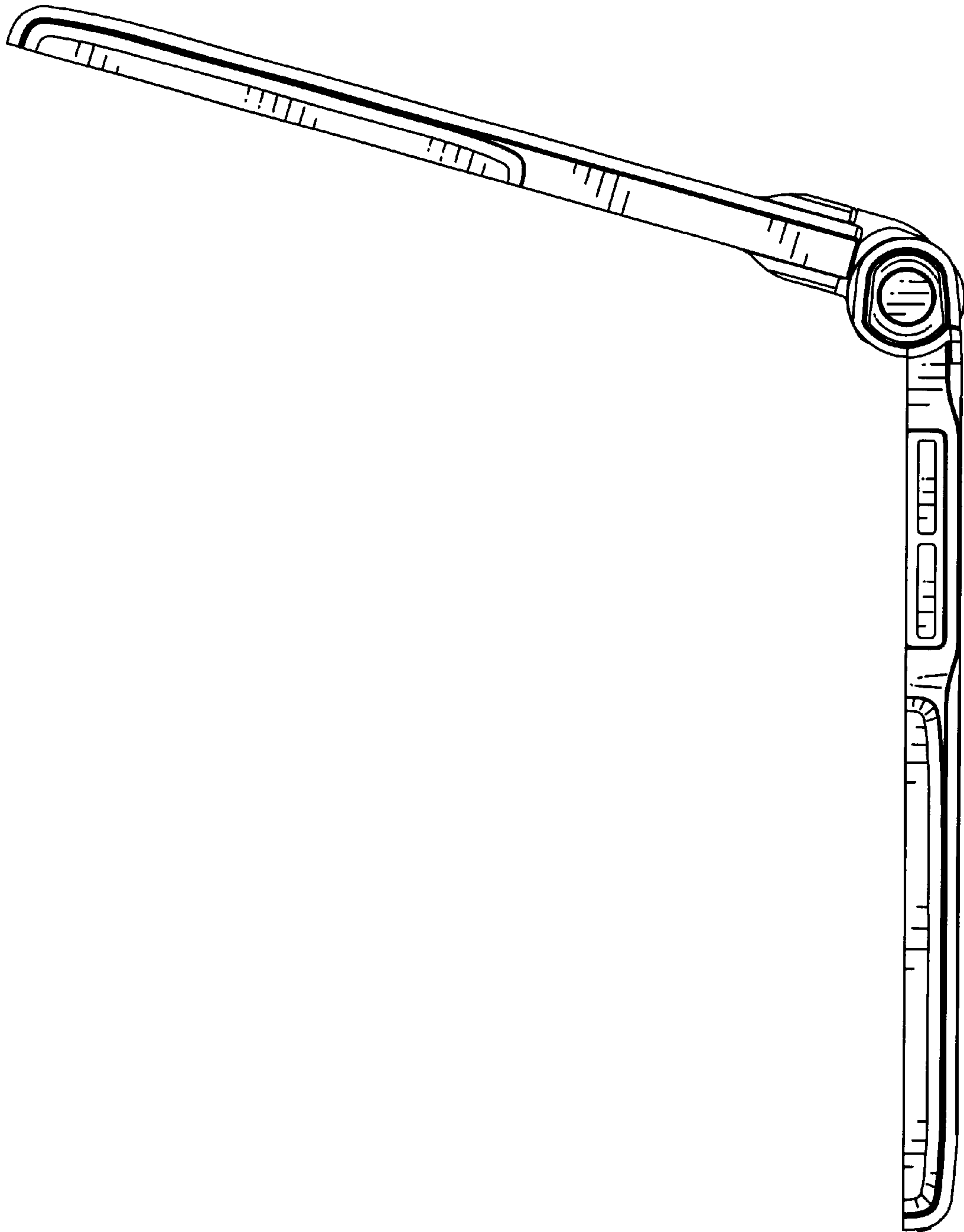


Figure 12

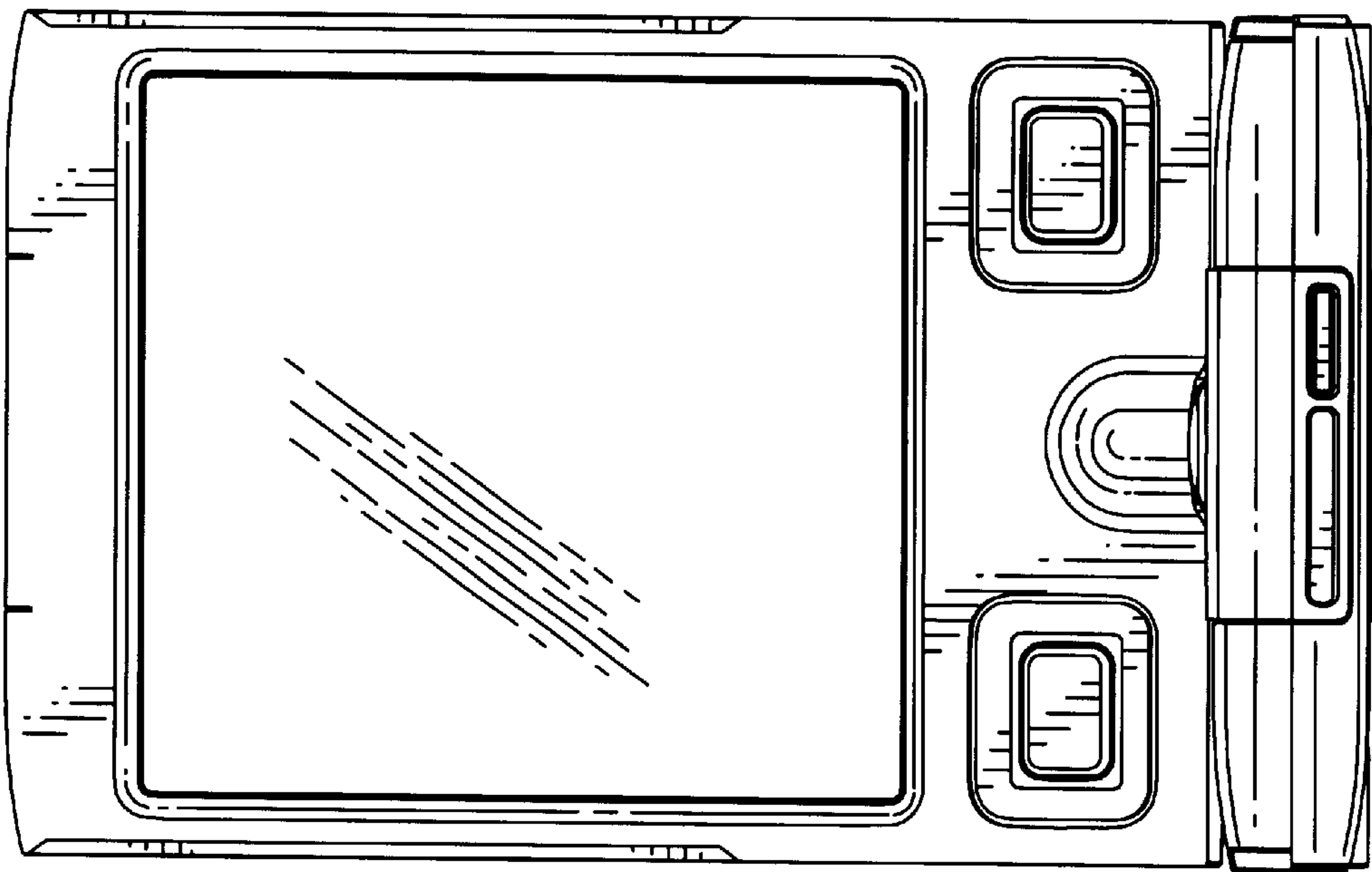


Figure 13

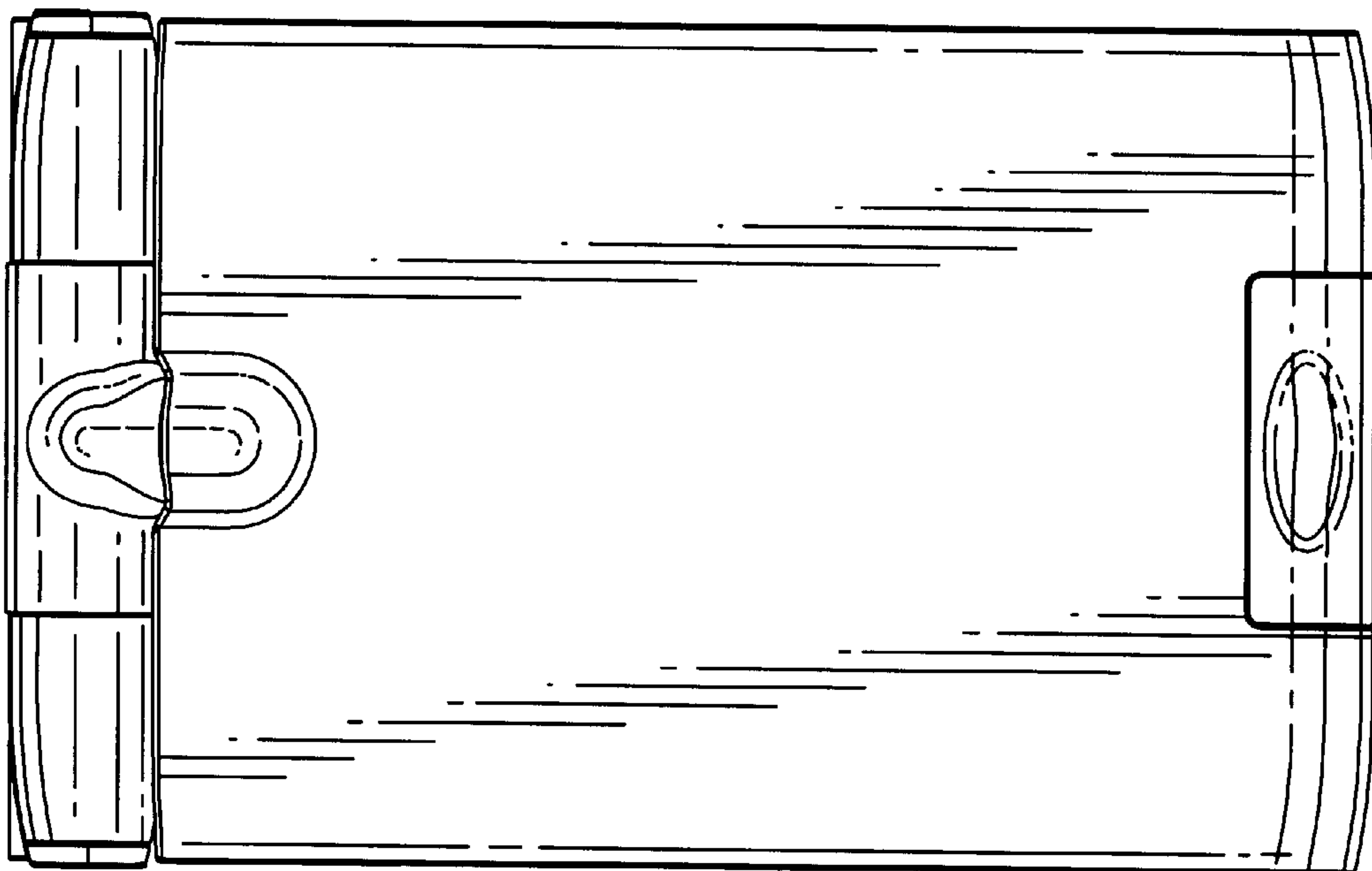


Figure 14