



US00D488150S

(12) **United States Design Patent**
Chen et al.

(10) **Patent No.:** **US D488,150 S**

(45) **Date of Patent:** **** Apr. 6, 2004**

(54) **WIRELESS MODEM**

(75) Inventors: **Yu Lung Chen**, Tu-chen (TW); **Lin Deng**, Shenzhen (CN); **Gang Su**, Shenzhen (CN)

(73) Assignee: **Hon Hai Precision Ind. Co., Ltd.**, Taipei Hsien (TW)

(**) Term: **14 Years**

(21) Appl. No.: **29/183,193**

(22) Filed: **Jun. 6, 2003**

(51) **LOC (7) Cl.** **14-03**

(52) **U.S. Cl.** **D14/242**

(58) **Field of Search** D14/242, 240, D14/353; 379/440, 93.08, 93.09, 93.15-93.16, 165; D13/184, 152; 361/622; 455/500-556; 375/200-225

(56) **References Cited**

U.S. PATENT DOCUMENTS

- D289,648 S * 5/1987 Felix et al. D14/242
- D301,877 S * 6/1989 Greenberg et al. D14/242
- D321,343 S * 11/1991 Feer et al. D14/242

- D352,290 S * 11/1994 Rak D14/242
- D380,205 S * 6/1997 Bares D14/242
- D420,676 S * 2/2000 Wang et al. D14/242
- D471,543 S * 3/2003 Yang et al. D14/240

FOREIGN PATENT DOCUMENTS

- WO DM/052978 * 8/2000
- WO DM/061536 * 10/2002

* cited by examiner

Primary Examiner—Charles A. Rademaker

(74) *Attorney, Agent, or Firm*—Wei Te Chung

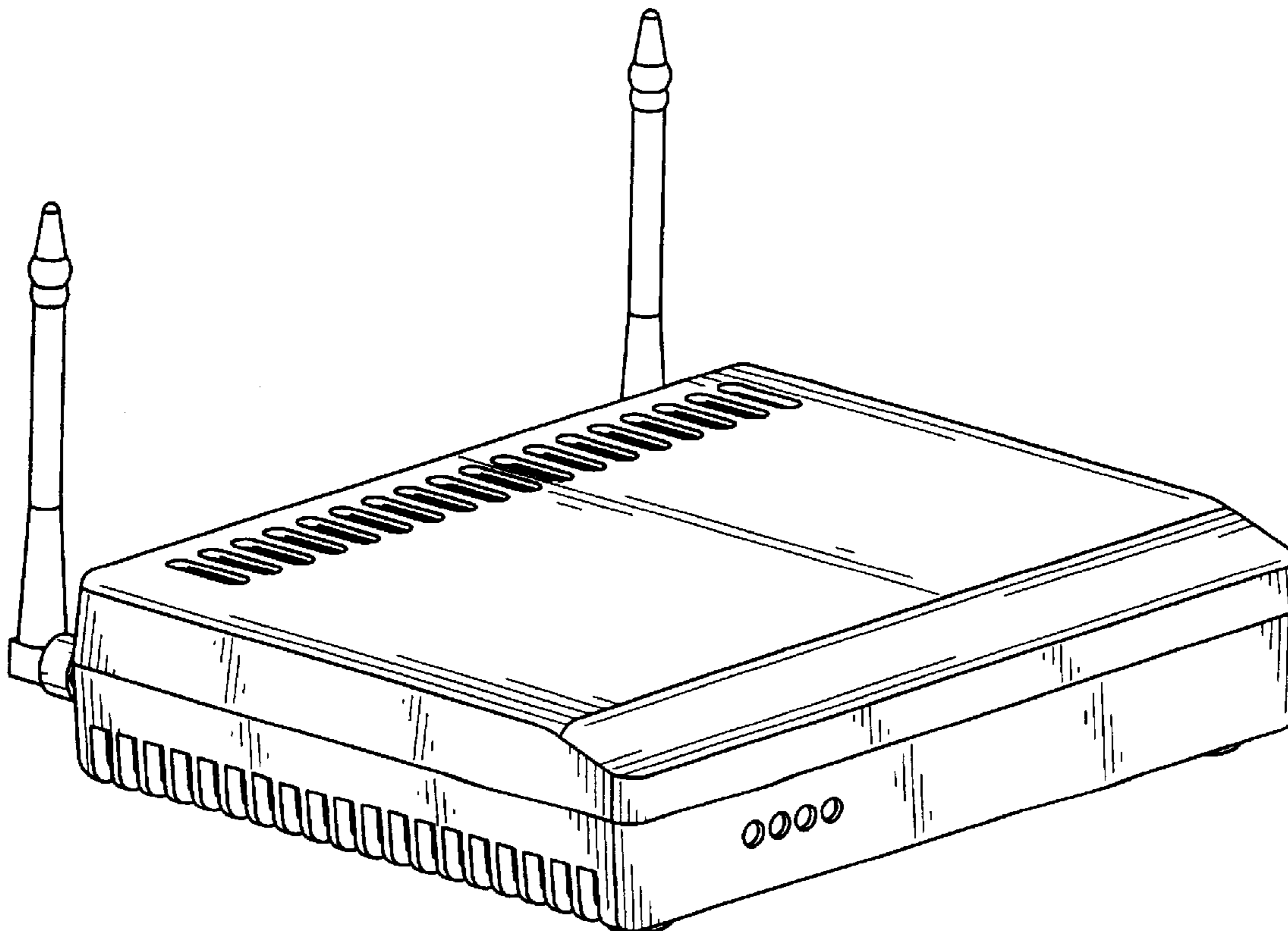
(57) **CLAIM**

The ornamental design for a wireless modem, as shown.

DESCRIPTION

FIG. 1 is a perspective view of a wireless modem of our new design;
 FIG. 2 is a front elevational view thereof;
 FIG. 3 is a rear elevational view thereof;
 FIG. 4 is a left side elevational view thereof;
 FIG. 5 is a right side elevational view thereof;
 FIG. 6 is a top plan view thereof; and,
 FIG. 7 is a bottom plan view thereof.

1 Claim, 4 Drawing Sheets



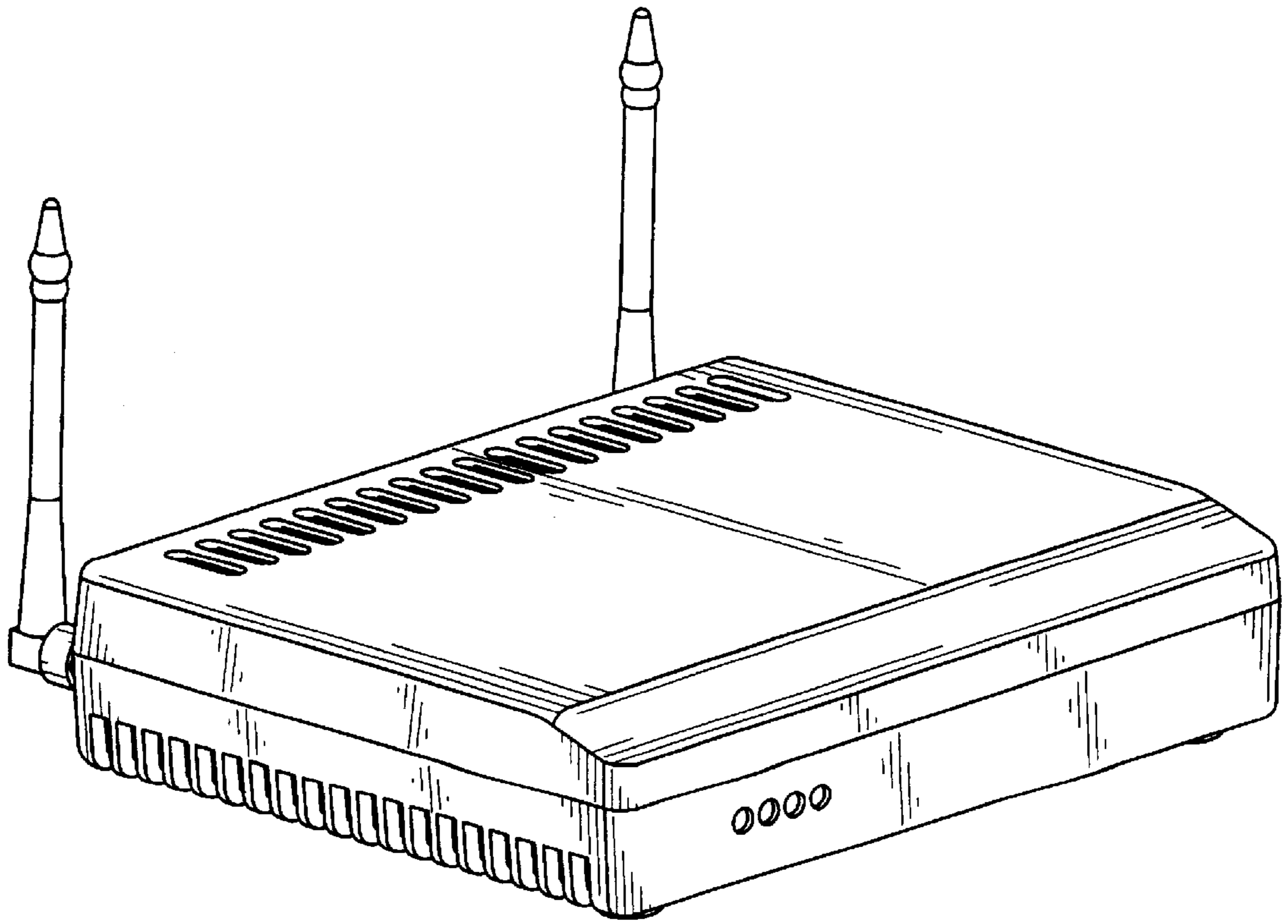


FIG. 1

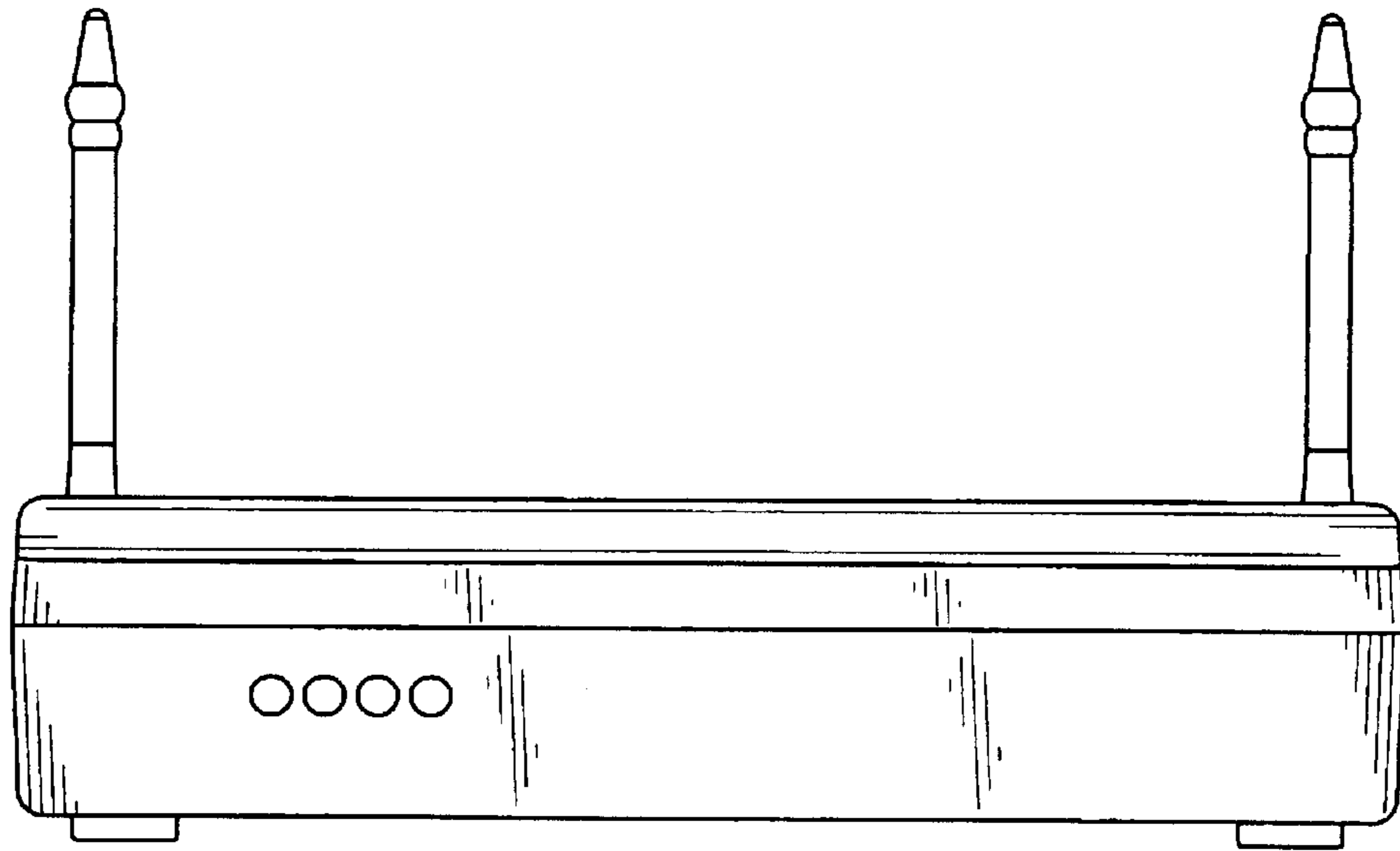


FIG. 2

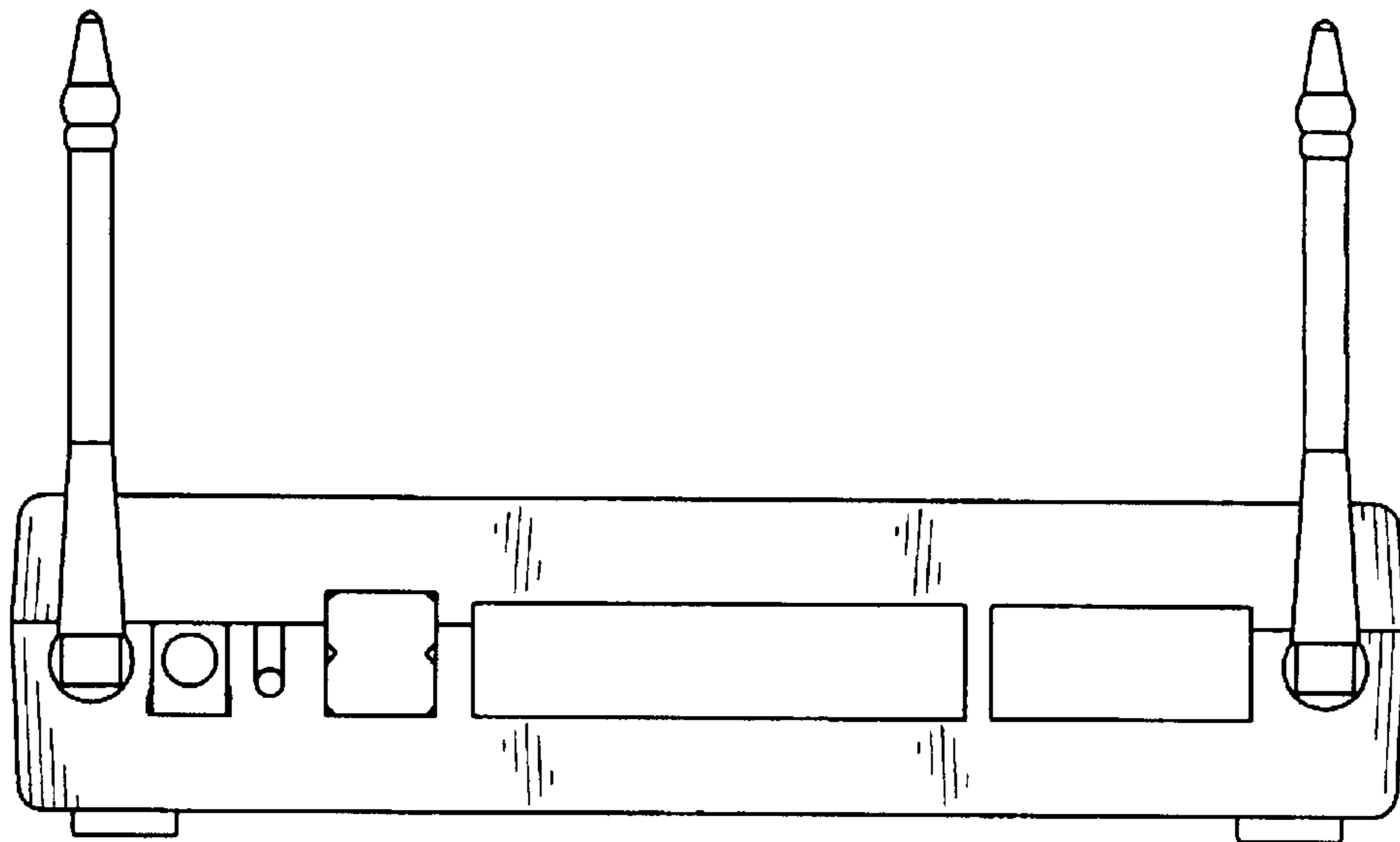


FIG. 3

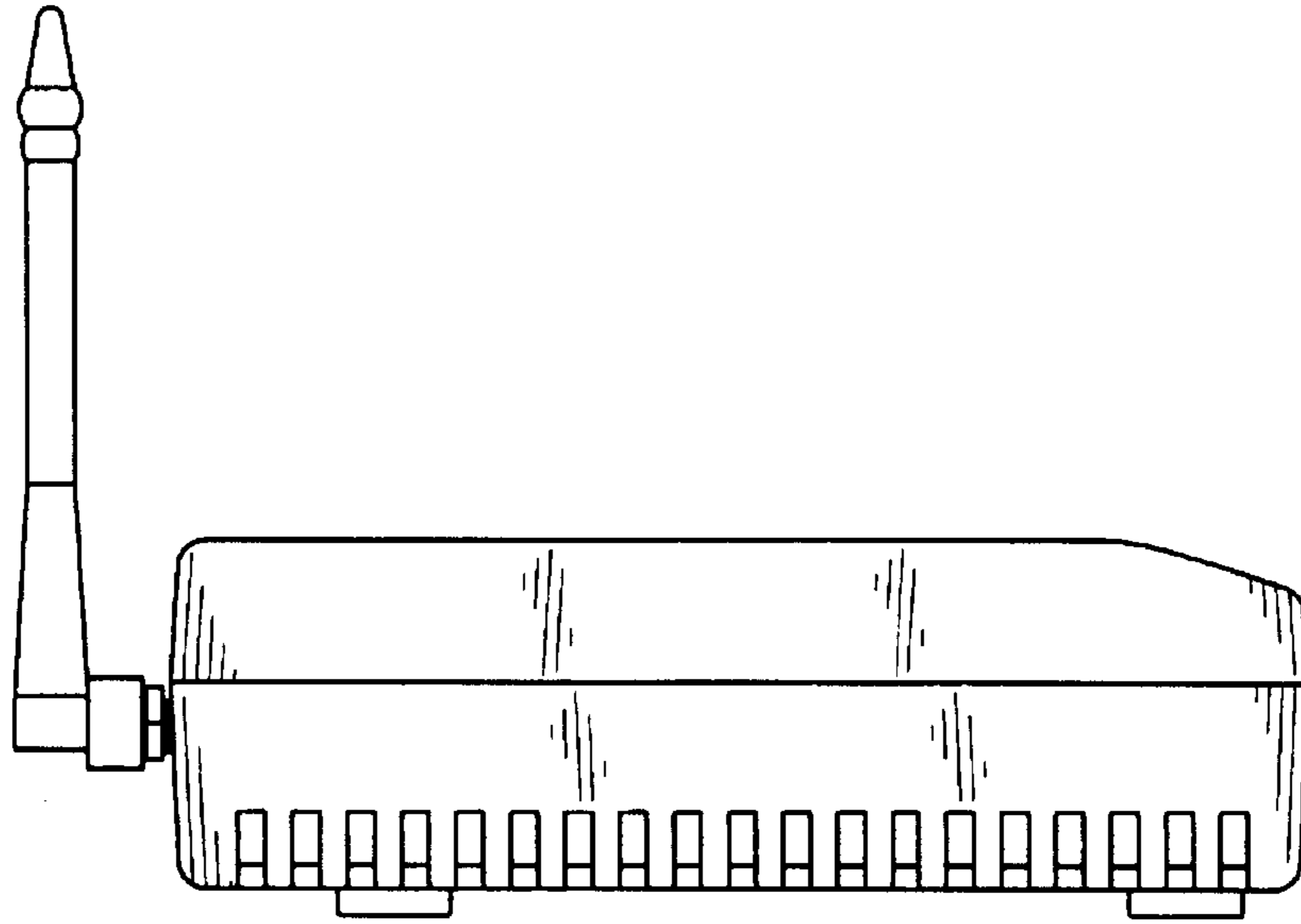


FIG. 4

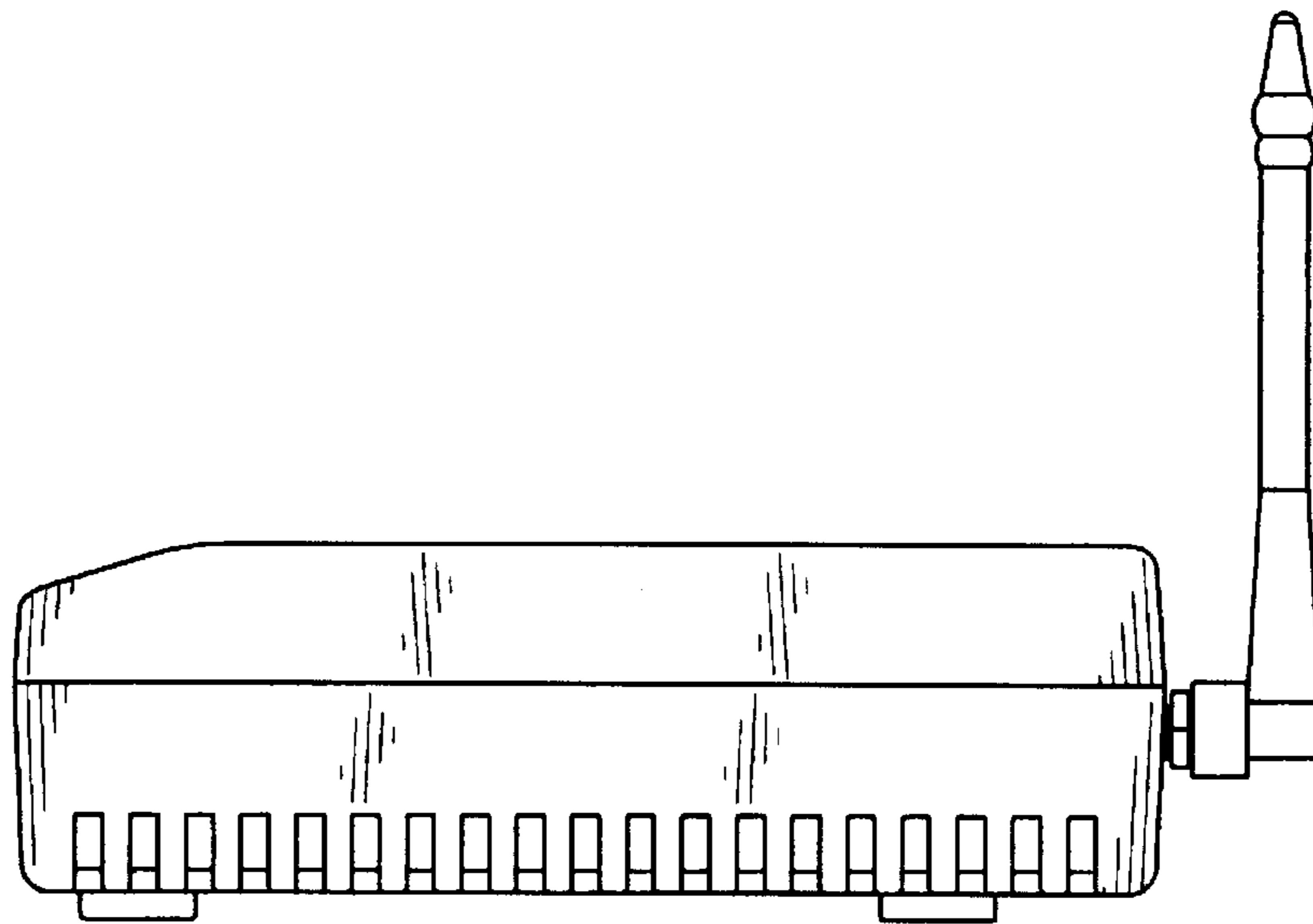


FIG. 5

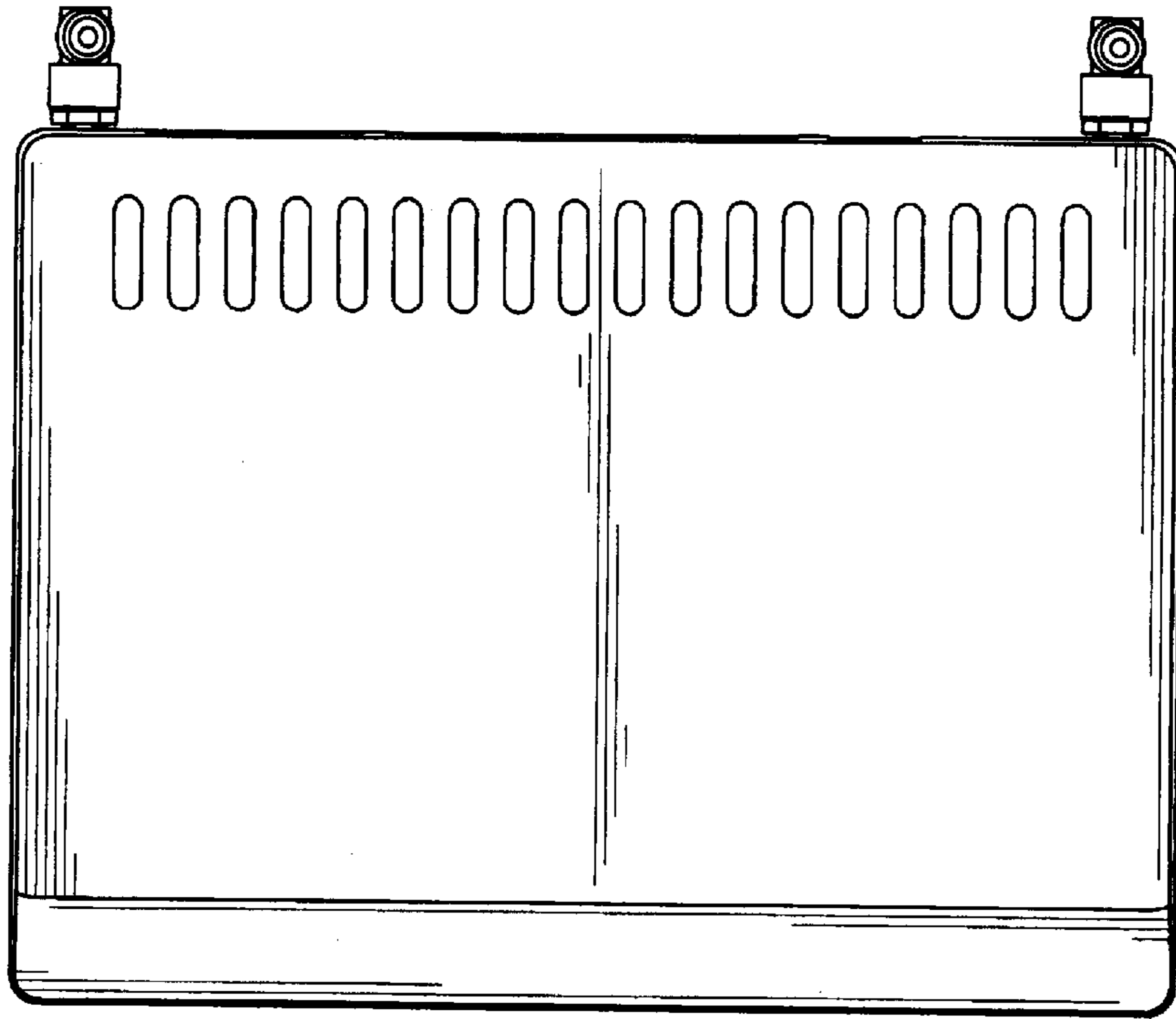


FIG. 6

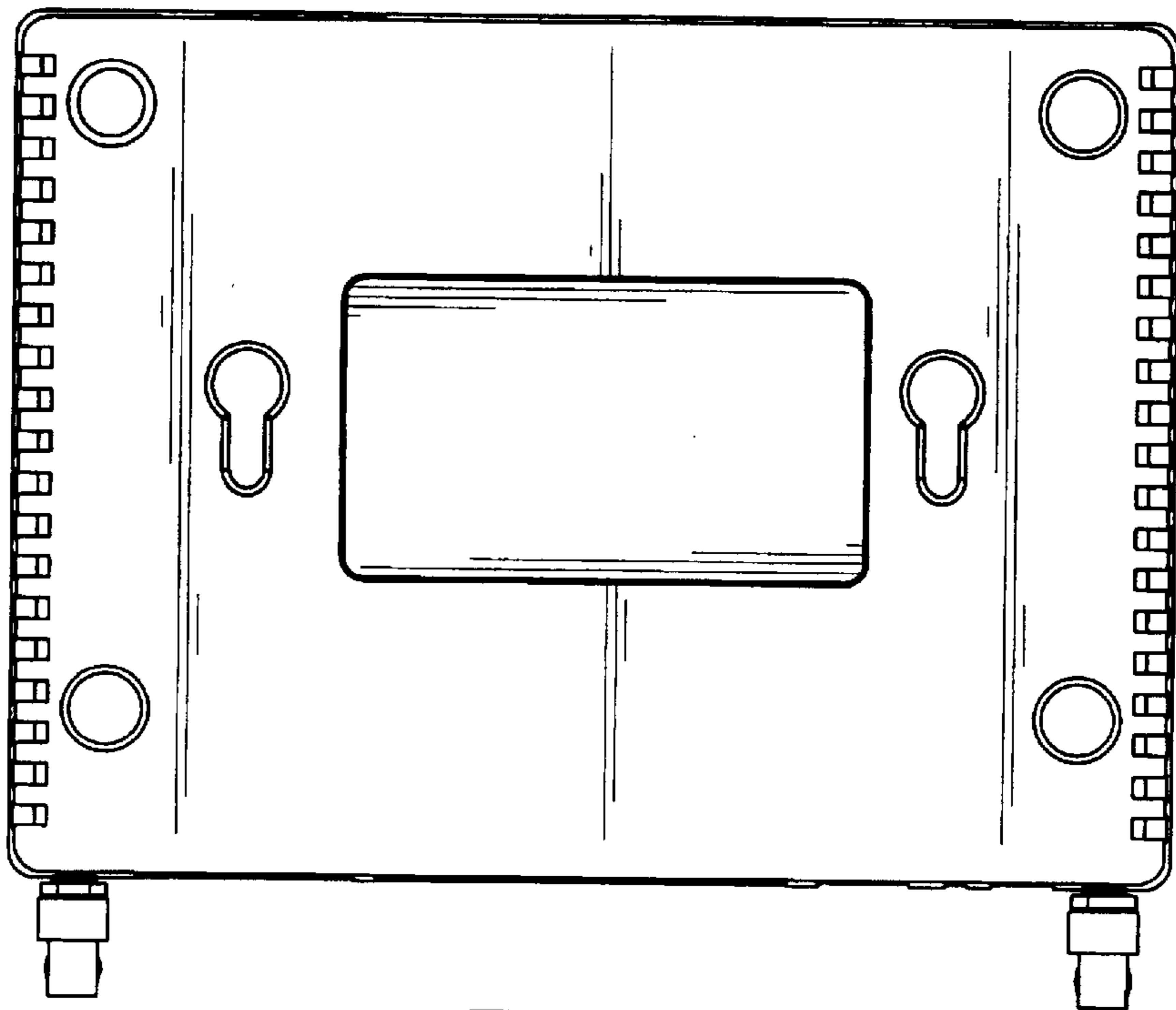


FIG. 7