



US00D488146S

(12) **United States Design Patent**
Minto

(10) **Patent No.:** **US D488,146 S**

(45) **Date of Patent:** **** Apr. 6, 2004**

(54) **COMMUNICATIONS HEADSET**

(75) Inventor: **Jon R. Minto**, Cape Coral, FL (US)

(73) Assignee: **Comfort Telecommunications, Inc.**,
Cape Coral, FL (US)

(**) Term: **14 Years**

(21) Appl. No.: **29/176,736**

(22) Filed: **Feb. 25, 2003**

(51) **LOC (7) Cl.** **14-01**

(52) **U.S. Cl.** **D14/206**

(58) **Field of Search** D14/188, 192,
D14/205, 206, 223; 181/129, 130; 379/430,
431, 432, 433; 381/370, 376, 377, 378,
379, 380, 381

(56) **References Cited**

U.S. PATENT DOCUMENTS

D344,730 S	*	3/1994	Gathey et al.	D14/206
D365,559 S	*	12/1995	Fathi	D14/142
D377,020 S	*	12/1996	Bungardt et al.	D14/205
D394,437 S	*	5/1998	Landreth et al.	D14/206
D436,348 S	*	1/2001	McGugan	D14/142
D443,870 S	*	6/2001	Carpenter et al.	D14/206
D465,208 S	*	11/2002	Lee et al.	D14/206

* cited by examiner

Primary Examiner—Paula A. Mortimer

(74) *Attorney, Agent, or Firm*—Lott & Friedland, P.A.

(57) **CLAIM**

The ornamental design for a communications headset, substantially as shown and described.

DESCRIPTION

FIG. 1 is a perspective view of a communications headset showing my ornamental design with the connection wiring shown in dotted lines that form no part of the claimed invention;

FIG. 2 is a front view of the communications headset with the connection wiring shown in dotted lines that form no part of the claimed invention;

FIG. 3 is a rear view of the communications headset with the connection wiring shown in dotted lines that form no part of the claimed invention;

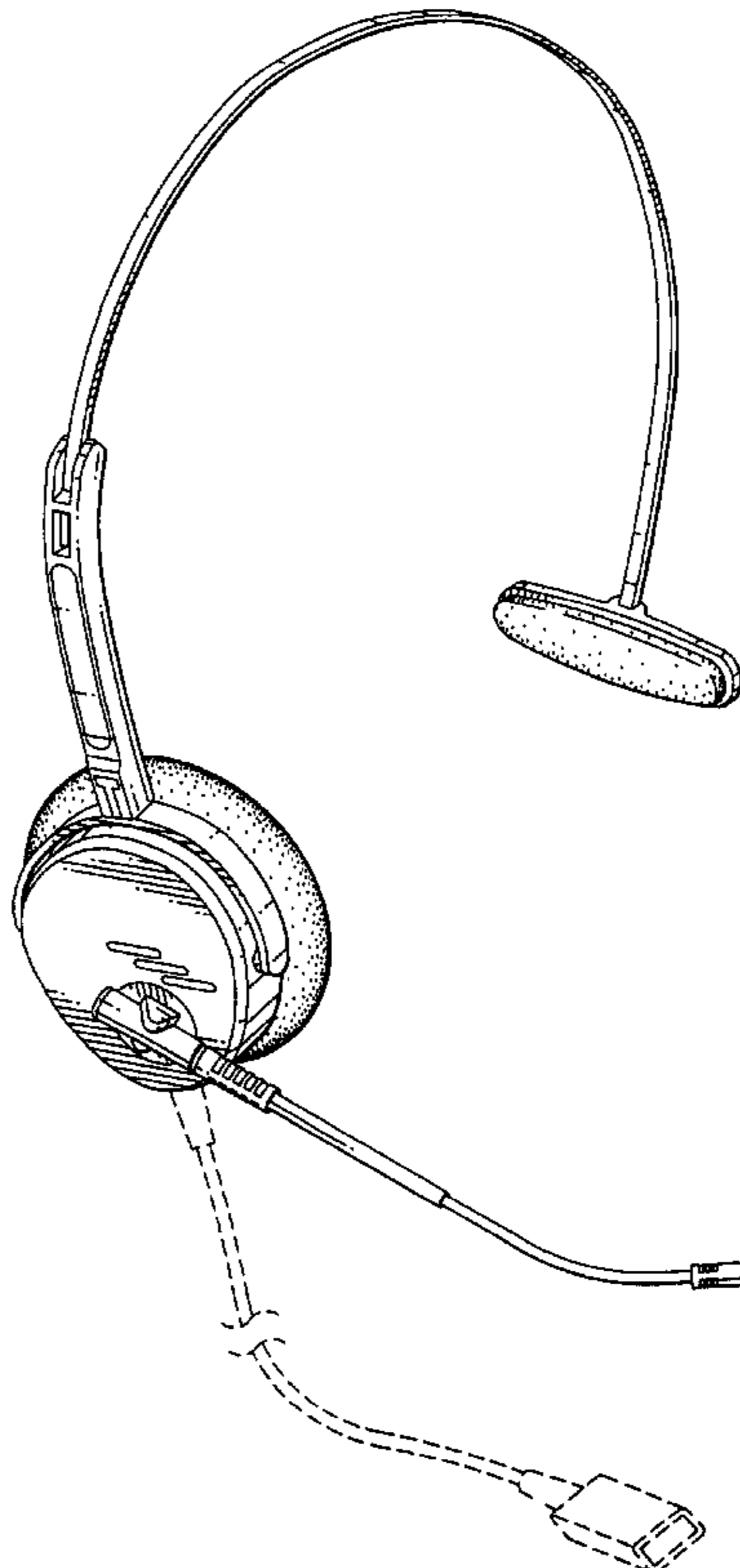
FIG. 4 is a left view of the communications headset with the connection wiring shown in dotted lines that form no part of the claimed invention;

FIG. 5 is a right view of the communications headset with the connection wiring shown in dotted lines that form no part of the claimed invention;

FIG. 6 is a top view of the communications headset with the connection wiring shown in dotted lines that form no part of the claimed invention; and,

FIG. 7 is a bottom view of the communications headset with the connection wiring shown in dotted lines that form no part of the claimed invention.

1 Claim, 7 Drawing Sheets



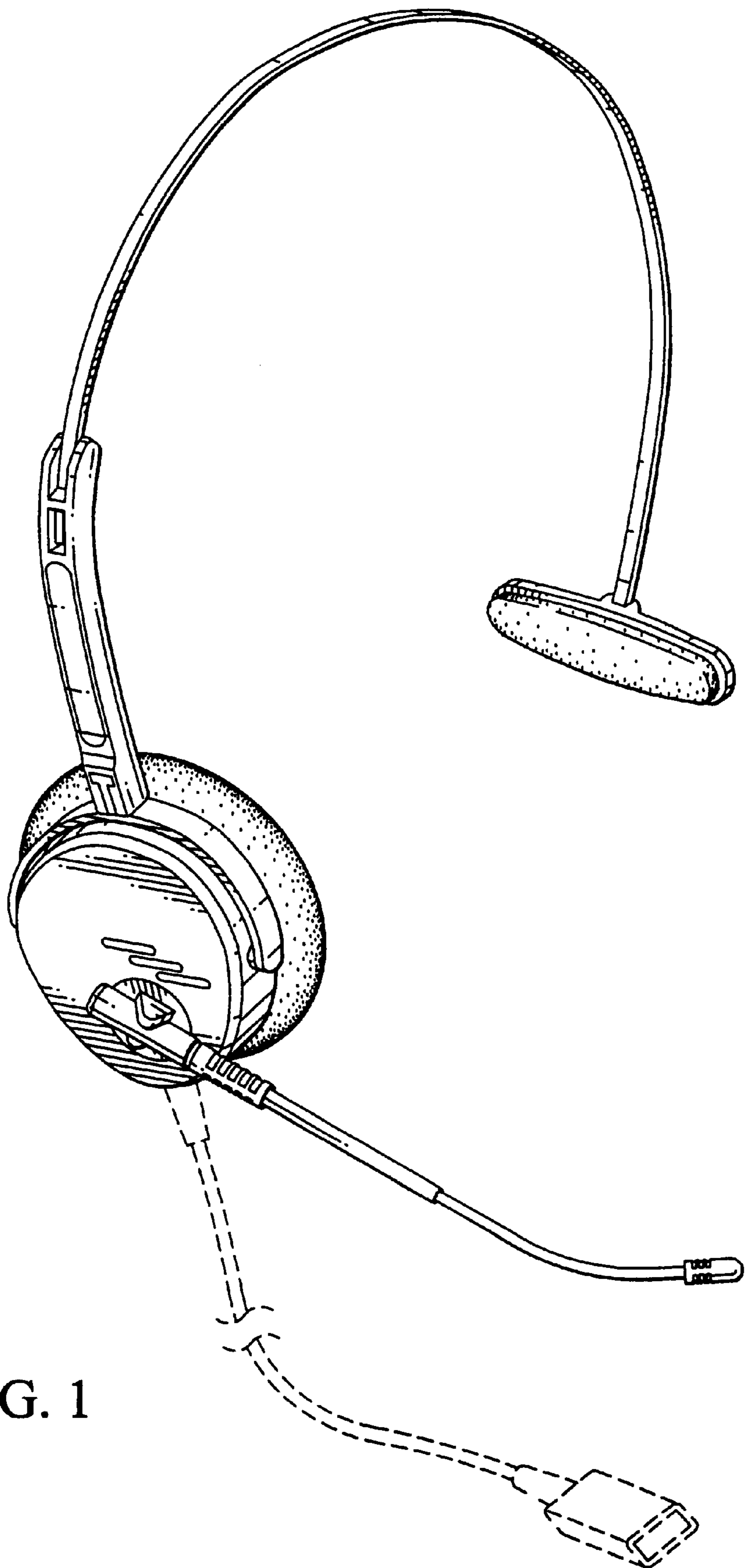


FIG. 1

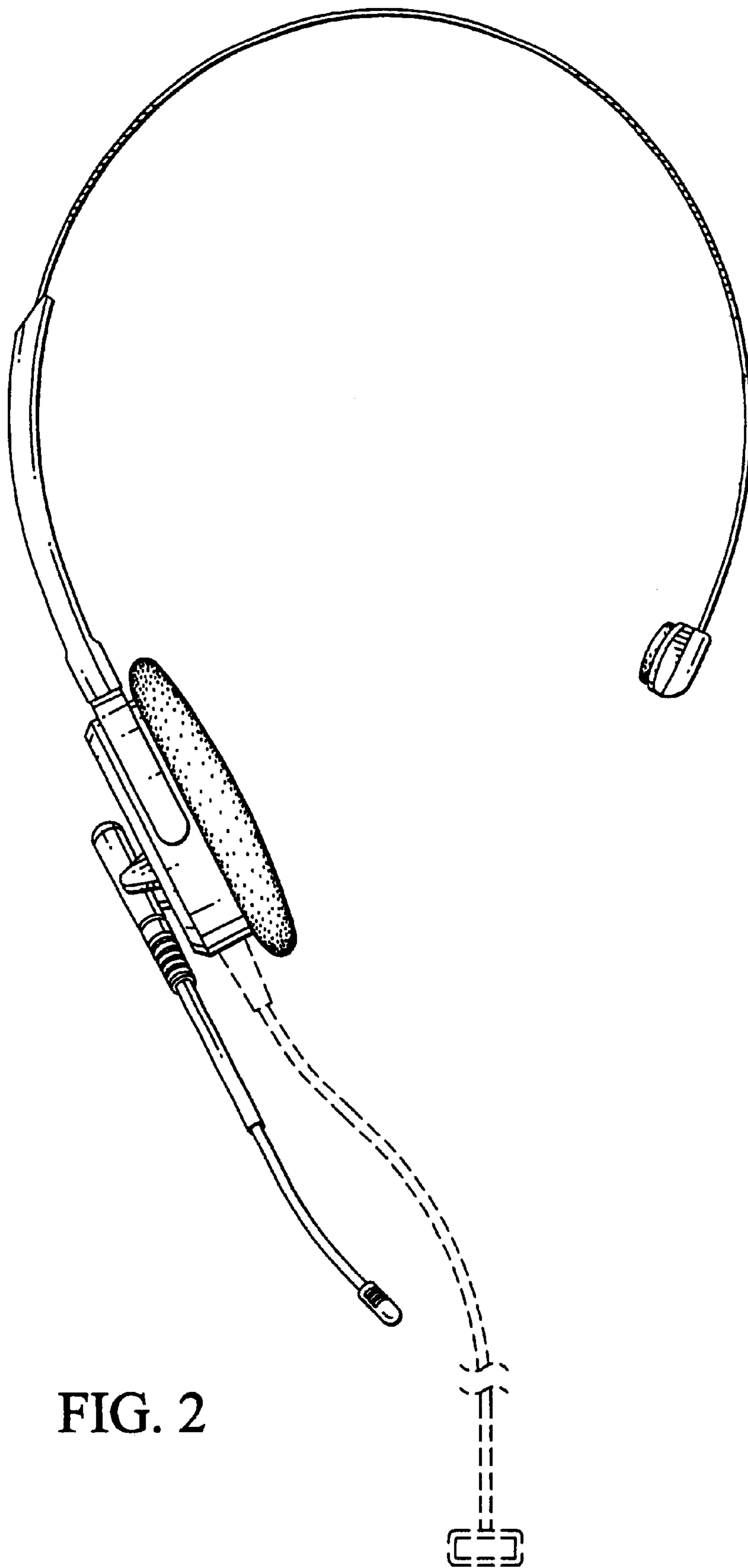


FIG. 2

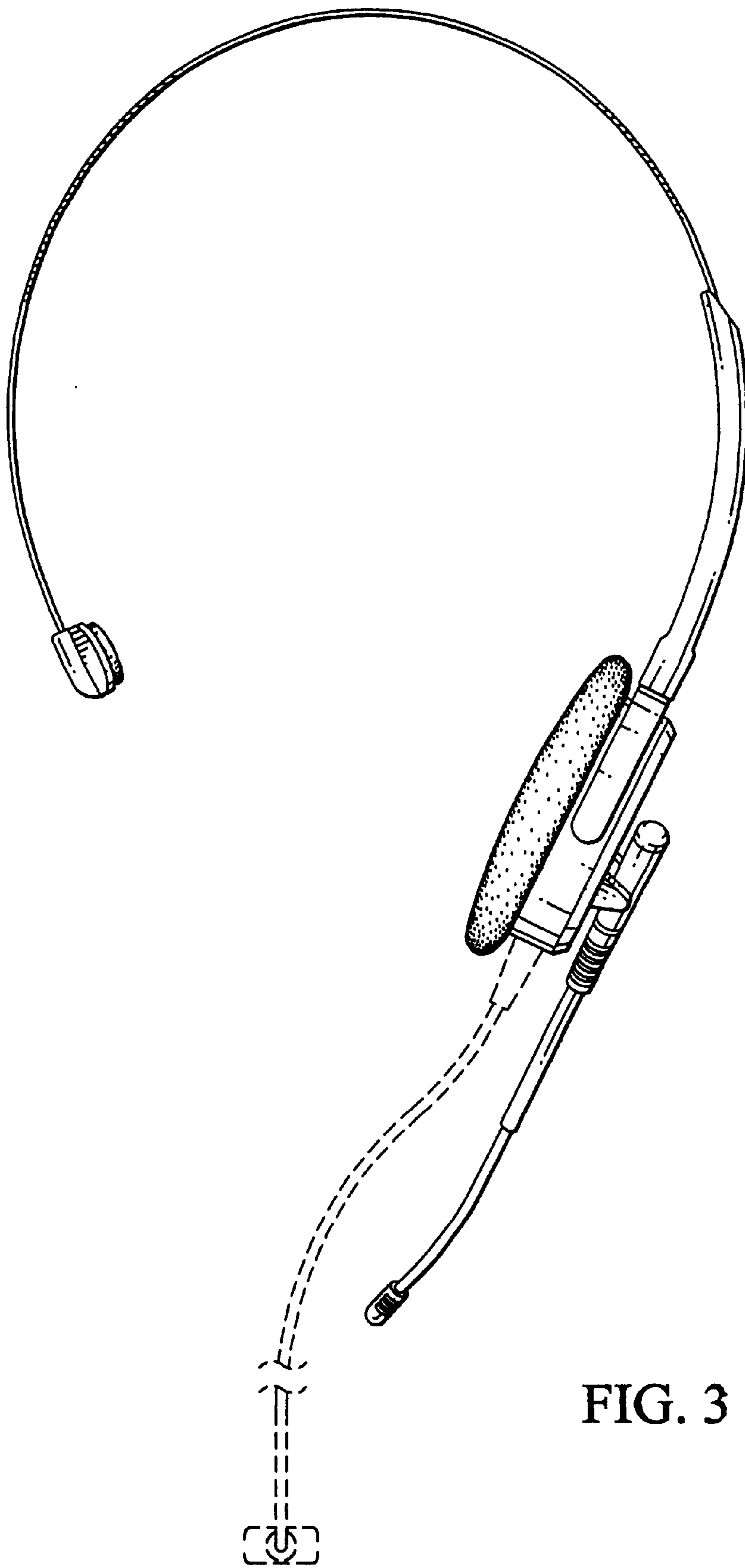


FIG. 3

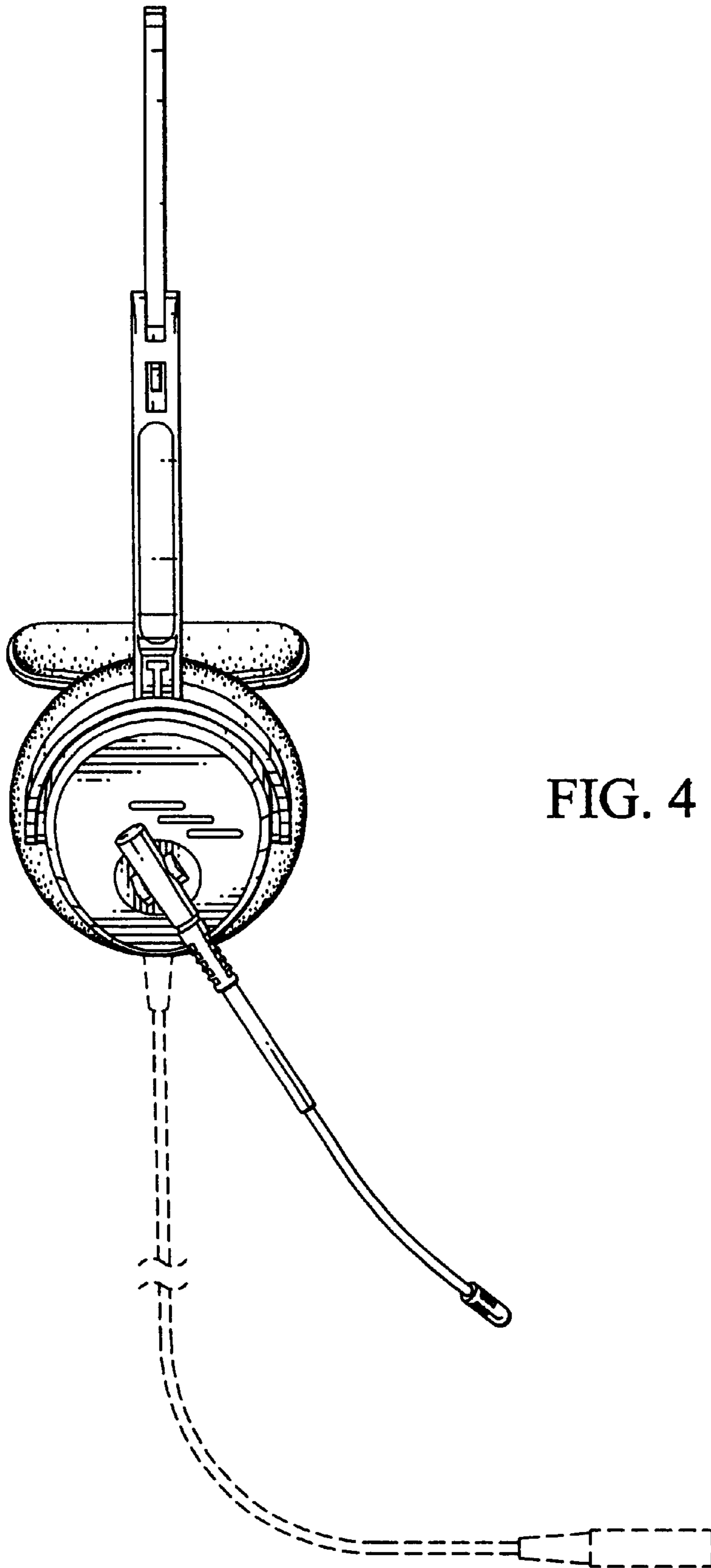


FIG. 4

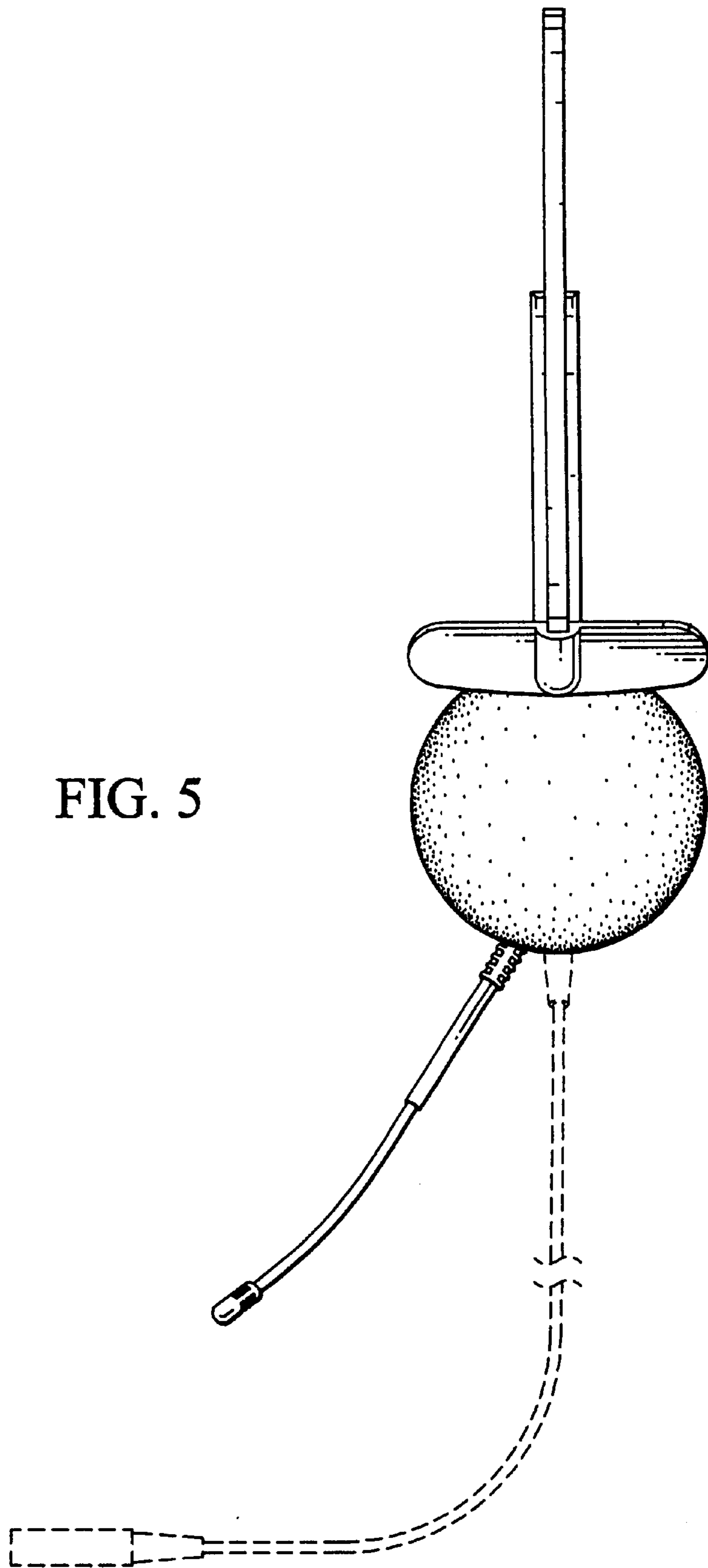
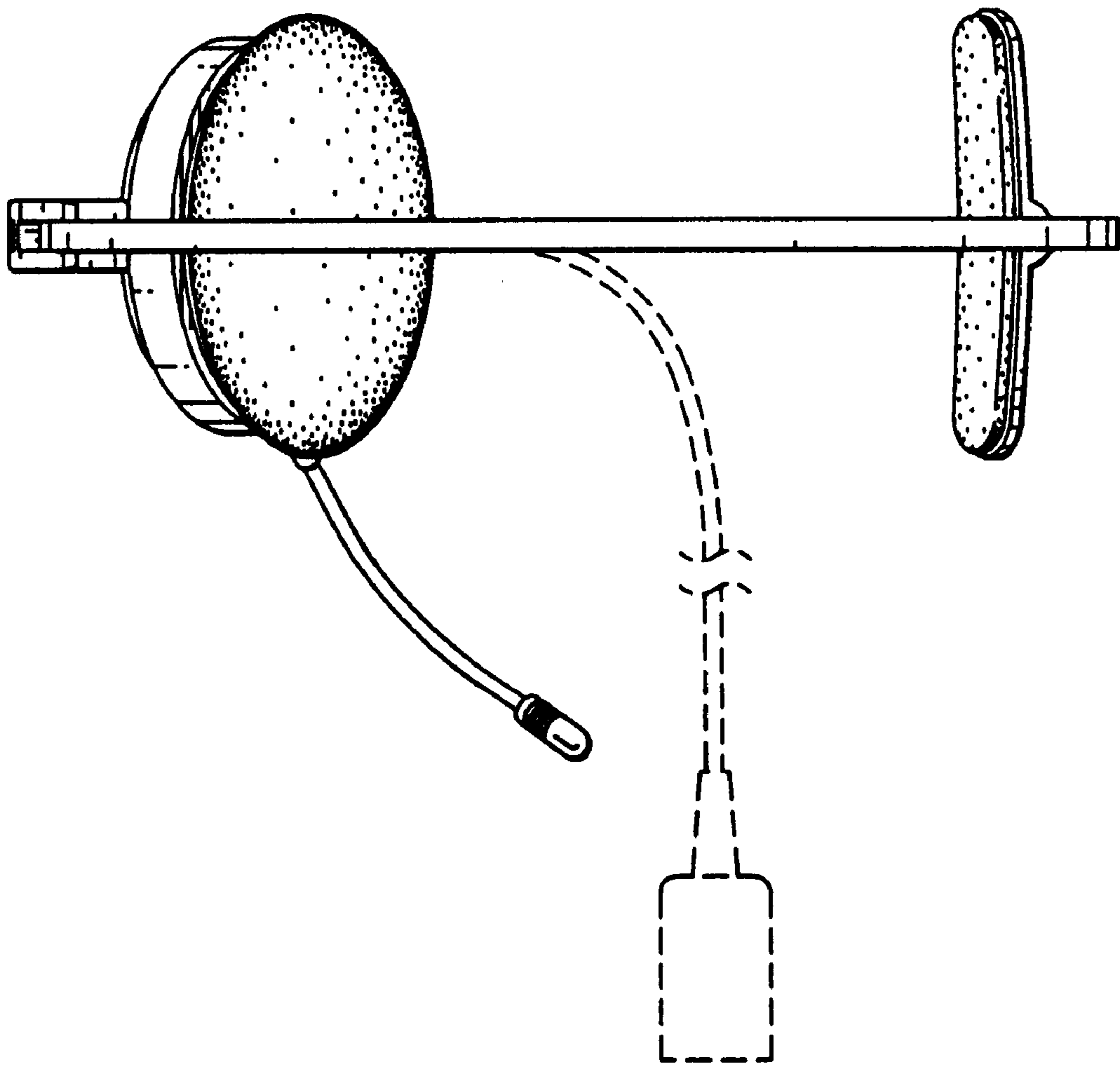


FIG. 6



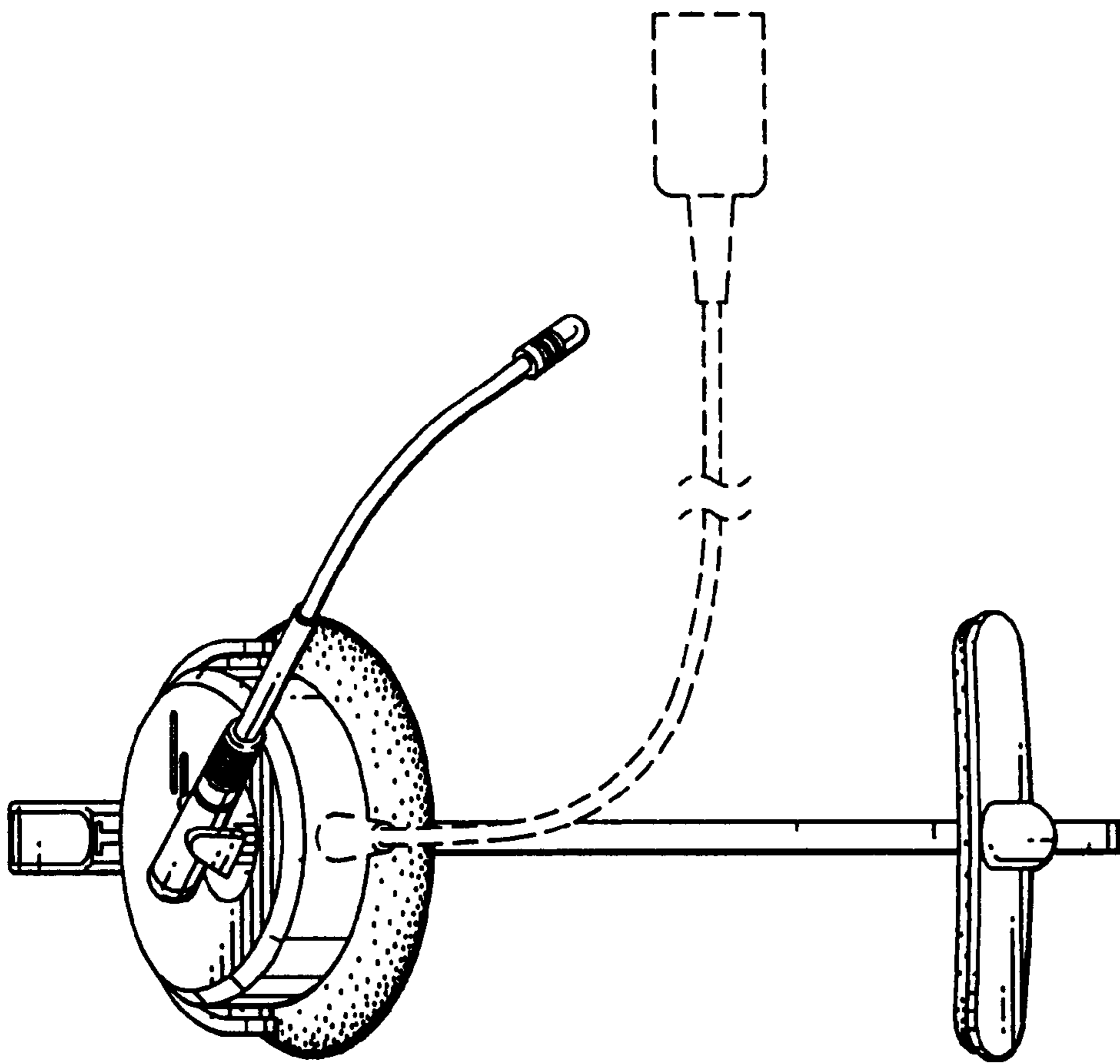


FIG. 7