



US00D488142S

(12) **United States Design Patent**  
**Wang et al.**

(10) **Patent No.:** **US D488,142 S**

(45) **Date of Patent:** **\*\* Apr. 6, 2004**

(54) **CELLULAR PHONE**

(75) Inventors: **Feng-Chun Wang**, Taichung (TW);  
**Gwo-Chyuan Chen**, Taipei (TW)

(73) Assignee: **Quanta Computer INC.**, Tao Yuan  
Shien (TW)

(\*\*) Term: **14 Years**

(21) Appl. No.: **29/168,850**

(22) Filed: **Oct. 10, 2002**

(51) **LOC (7) Cl.** ..... **14-03**

(52) **U.S. Cl.** ..... **D14/138**

(58) **Field of Search** ..... D14/137, 138,  
D14/218, 147-148, 247-248, 144, 244,  
246, 341-347; 379/433.01-433.13, 419,  
434, 428.01-428.04, 420.01-420.04, 440;  
D10/37, 126; 455/550.1-90.3; D21/517;  
D11/80; D28/78, 79, 82; 345/168, 169

(56) **References Cited**

**U.S. PATENT DOCUMENTS**

D16,127 S	*	6/1885	Ladd	.....	D10/37
D195,959 S	*	8/1963	Spilman	.....	D14/228
D225,586 S	*	12/1972	Stahl	.....	D28/82
D247,846 S	*	5/1978	Kortick	.....	D28/91.1
D249,332 S	*	9/1978	Hauf	.....	D9/420
D282,544 S	*	2/1986	Wu	.....	D14/147
D291,991 S	*	9/1987	Lee	.....	D14/147
D292,286 S	*	10/1987	Basch	.....	D14/143
D292,581 S	*	11/1987	Yoshiharu	.....	D14/147
D310,093 S	*	8/1990	Sakaguchi et al.	.....	D18/7
D358,149 S	*	5/1995	Fellinger	.....	D14/138
D359,733 S	*	6/1995	Fellinger	.....	D14/138
D361,064 S	*	8/1995	Fellinger	.....	D14/138
D363,069 S	*	10/1995	Bro	.....	D14/191
D371,126 S	*	6/1996	Bro	.....	D14/138
D382,175 S	*	8/1997	Green	.....	D7/538
D382,556 S	*	8/1997	Jeong	.....	D14/138
D401,577 S	*	11/1998	Yamaguchi	.....	D14/138
5,890,052 A	*	3/1999	Read et al.	.....	455/575.3
D408,590 S	*	4/1999	Litton	.....	D28/82
D424,558 S	*	5/2000	Hong	.....	D14/143

D424,751 S	*	5/2000	Kudo et al.	.....	D28/78
D427,172 S	*	6/2000	Bequir	.....	D14/138
D434,403 S	*	11/2000	Jaynes et al.	.....	D14/138
D439,376 S	*	3/2001	Lerolle	.....	D28/82
D440,959 S	*	4/2001	Wolf et al.	.....	D14/191
6,240,302 B1	*	5/2001	Harrison	.....	455/556.1
D451,078 S	*	11/2001	Kim	.....	D14/138
D453,751 S	*	2/2002	Bearden	.....	D14/138
D457,865 S	*	5/2002	Lam	.....	D14/147
D458,249 S	*	6/2002	Hayashi	.....	D14/218
D473,345 S	*	4/2003	Thorpe	.....	D28/82
D476,572 S	*	7/2003	Merritt	.....	D9/504
2002/0068617 A1	*	6/2002	Han	.....	455/569.1
2003/0122784 A1	*	7/2003	Shkolnikov	.....	345/169

\* cited by examiner

*Primary Examiner*—Jeffrey Asch

(57) **CLAIM**

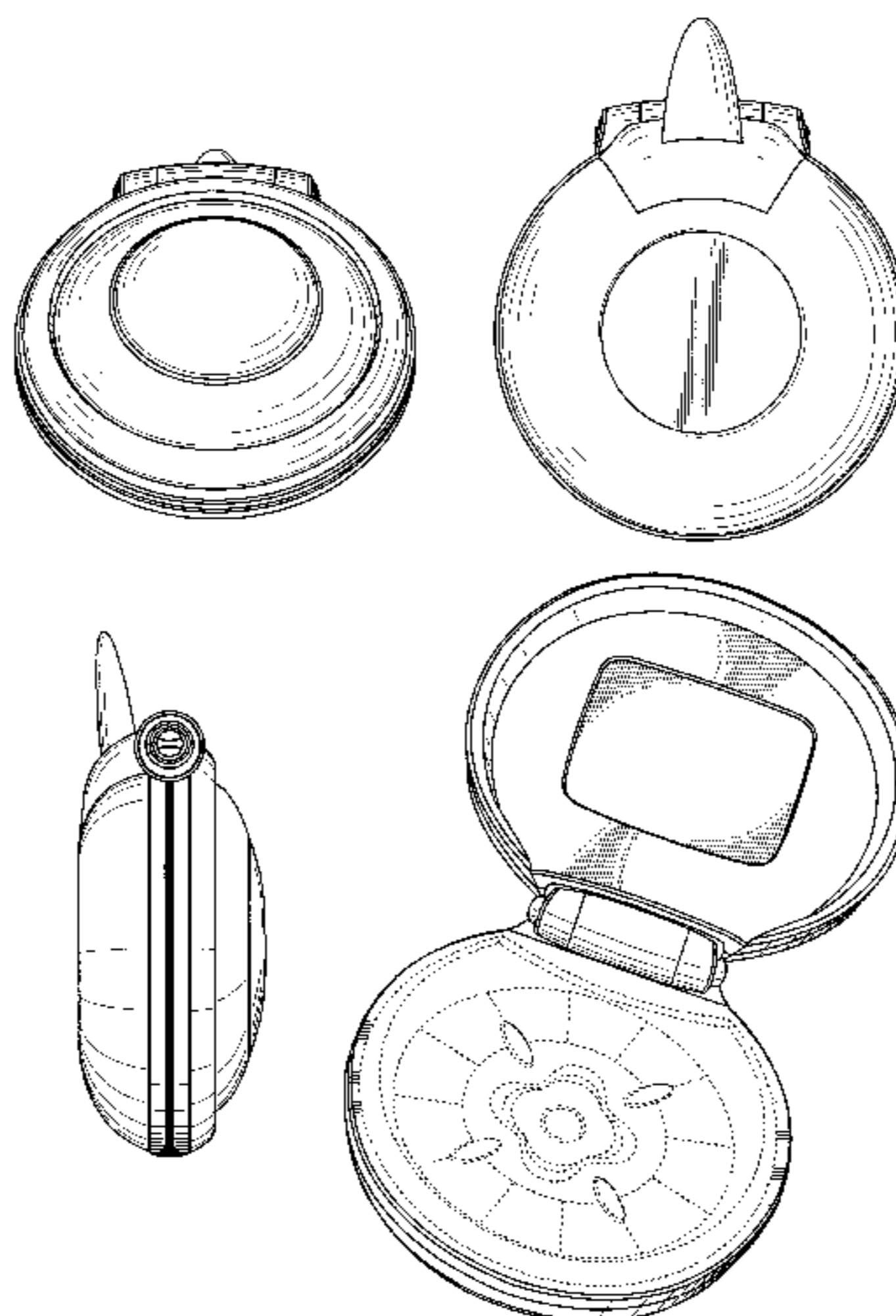
The ornamental design for a cellular phone, as shown and described.

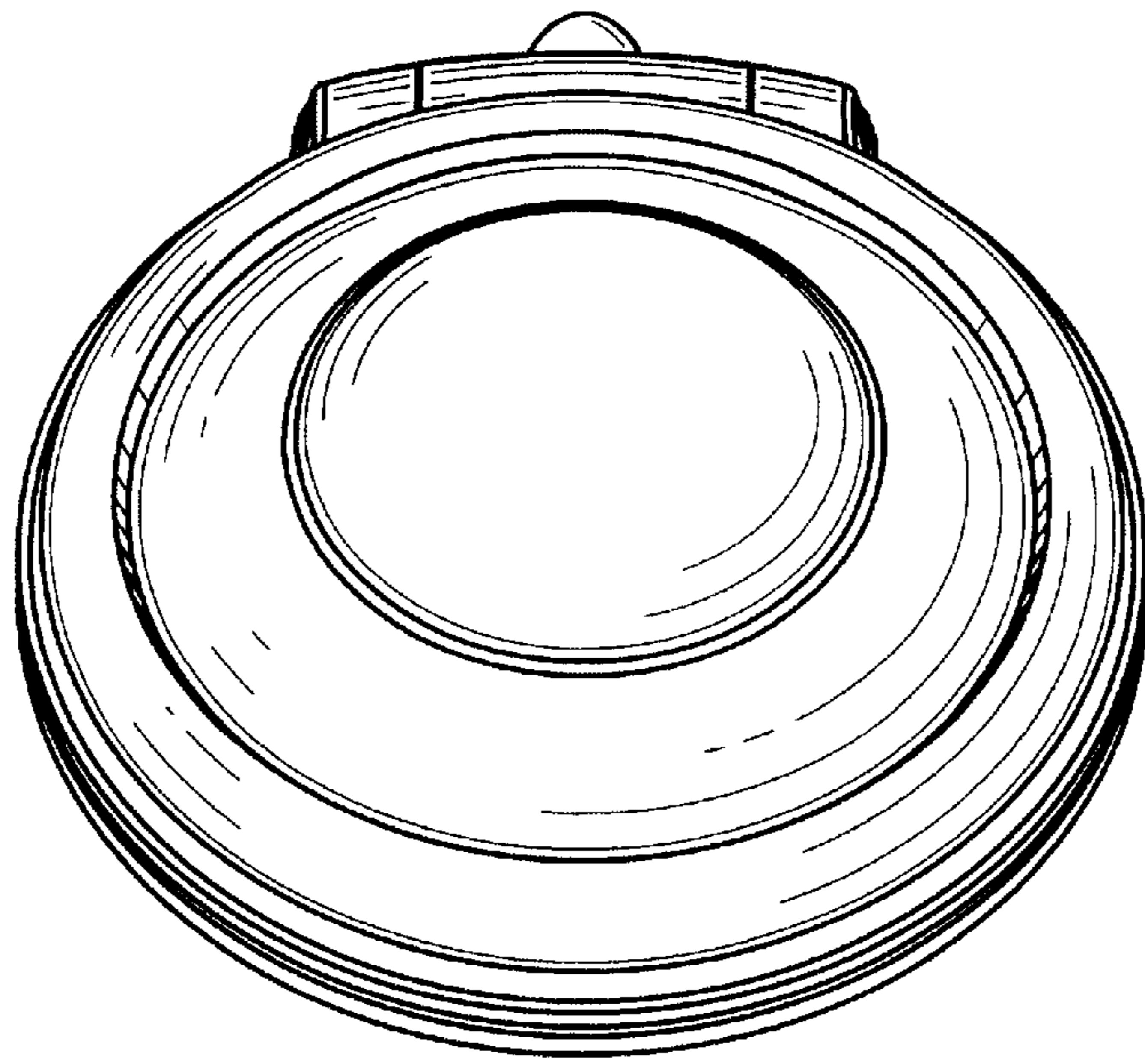
**DESCRIPTION**

FIG. 1 is a front, side perspective view of a cellular phone showing our new design with the lid in a closed position; FIG. 2 is a front elevational view thereof; FIG. 3 is a left side elevational view thereof; FIG. 4 is a right side elevational view thereof; FIG. 5 is a top plan view thereof; FIG. 6 is a bottom plan view thereof; FIG. 7 is a rear elevational view thereof; FIG. 8 is a front, side perspective view of a cellular phone showing our new design with the lid in an open position; FIG. 9 is a front elevational view thereof; FIG. 10 is a left side elevational view thereof; FIG. 11 is a right side elevational view thereof; FIG. 12 is a top plan view thereof; FIG. 13 is a bottom plan view thereof; and, FIG. 14 is a rear elevational view thereof.

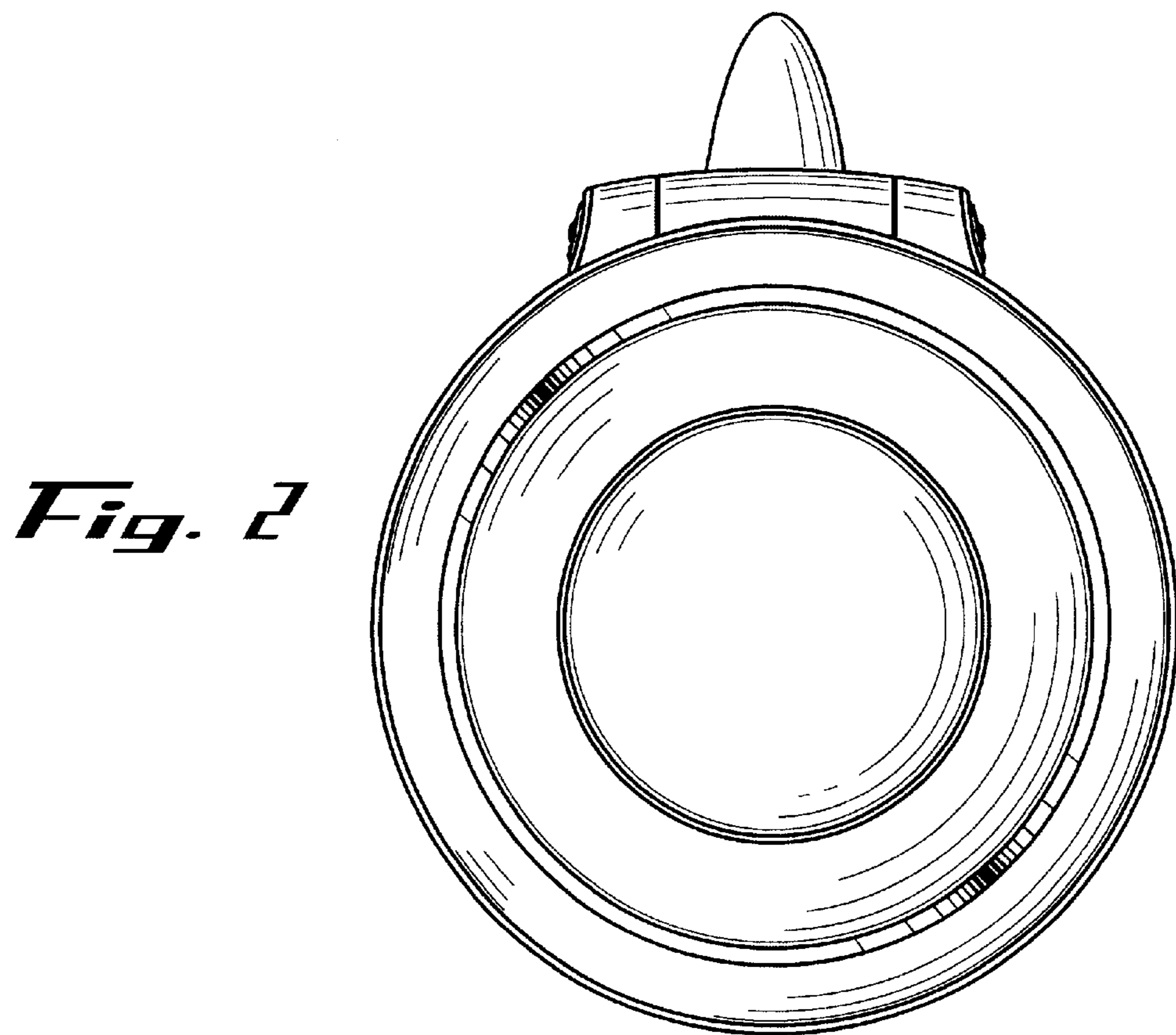
The broken lines showing the outline of a keypad is for illustration purposes only and forms no part of the claimed invention.

**1 Claim, 7 Drawing Sheets**





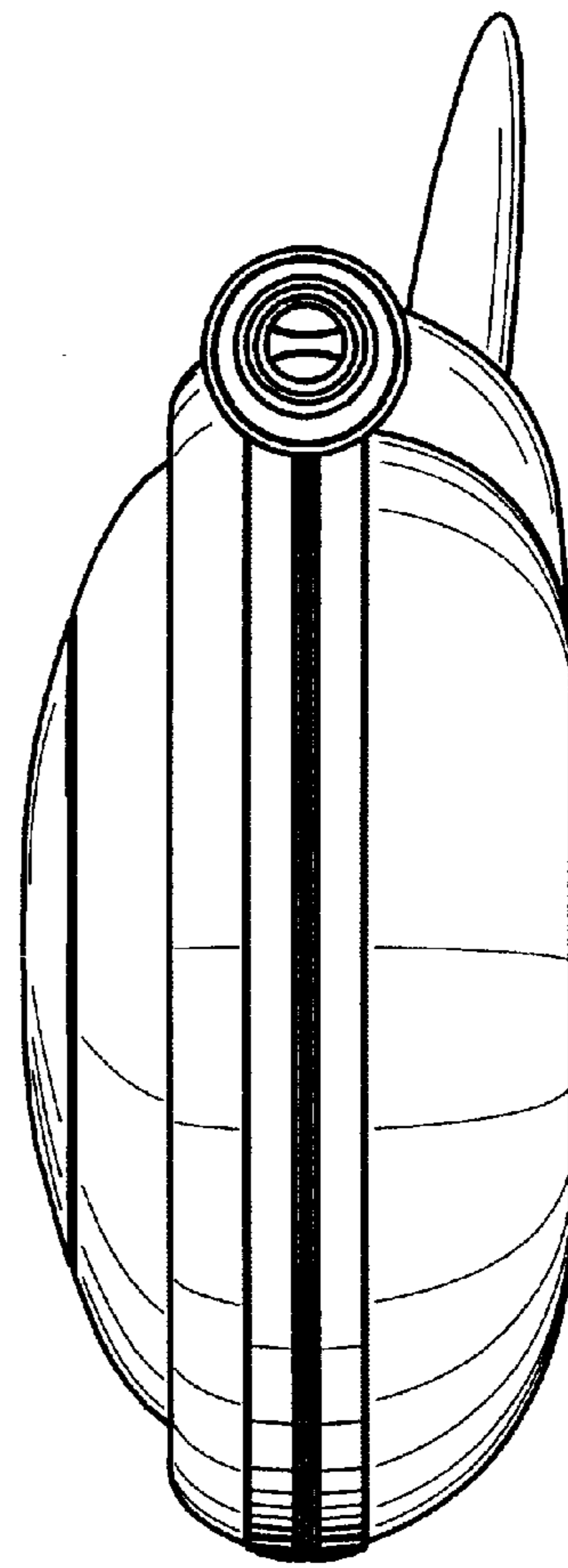
*Fig. 1*



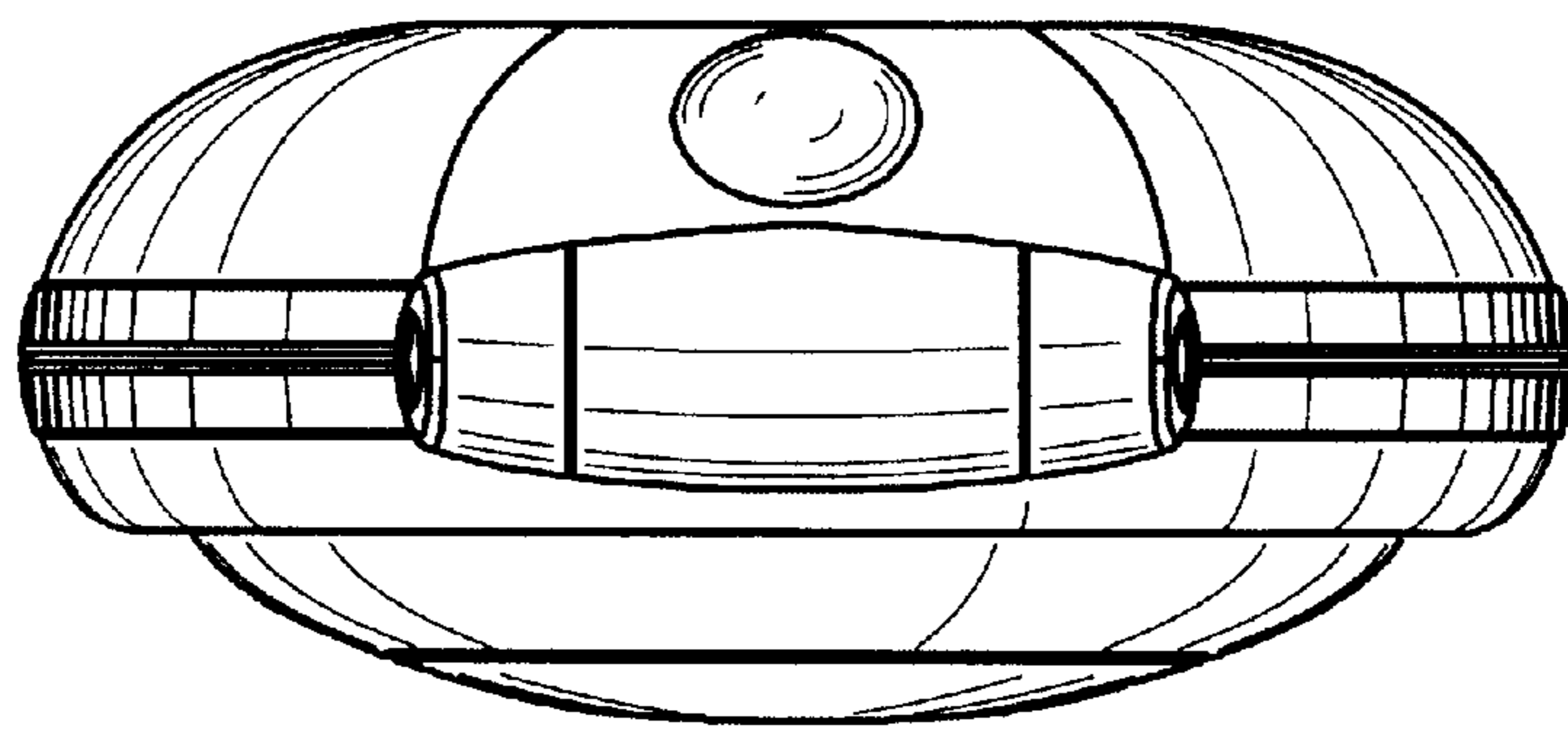
*Fig. 2*



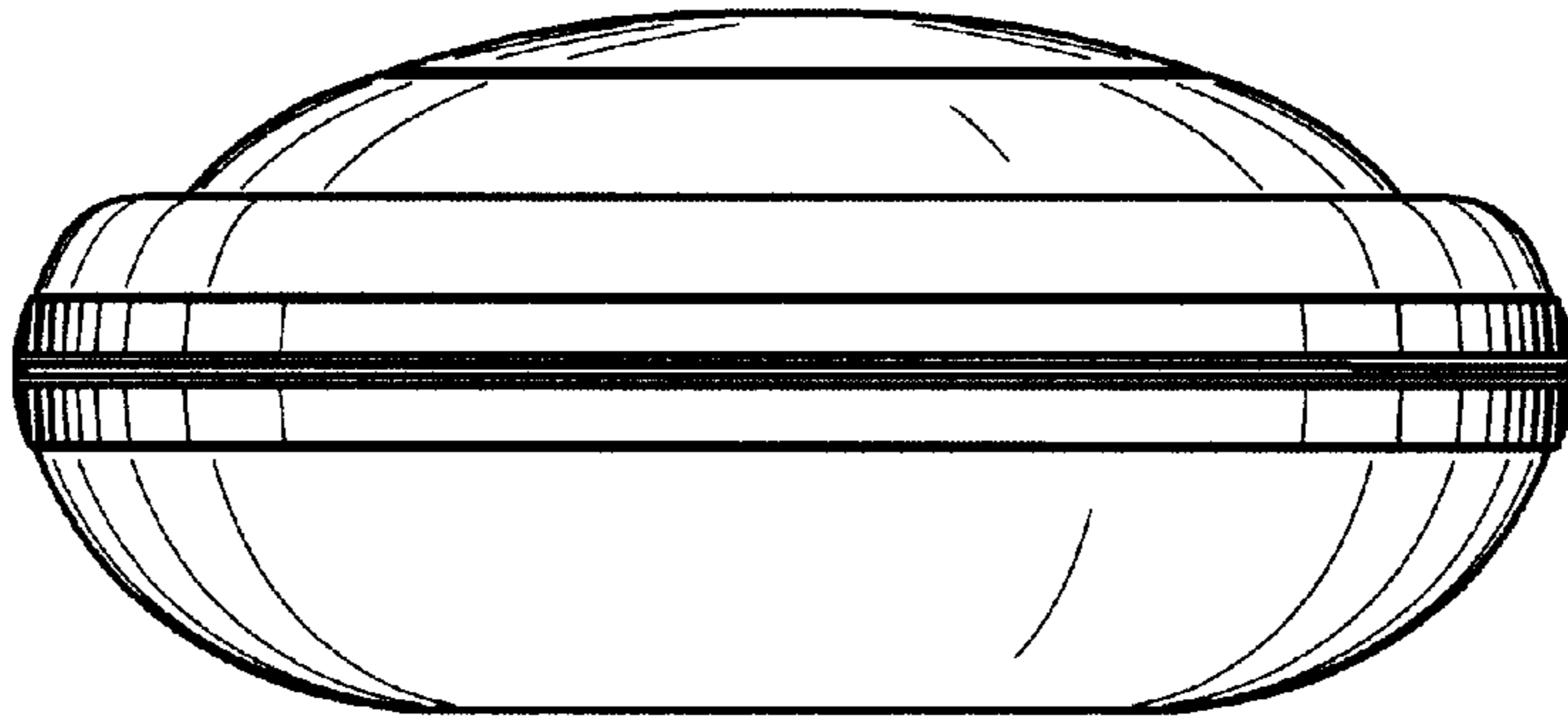
*Fig. 3*



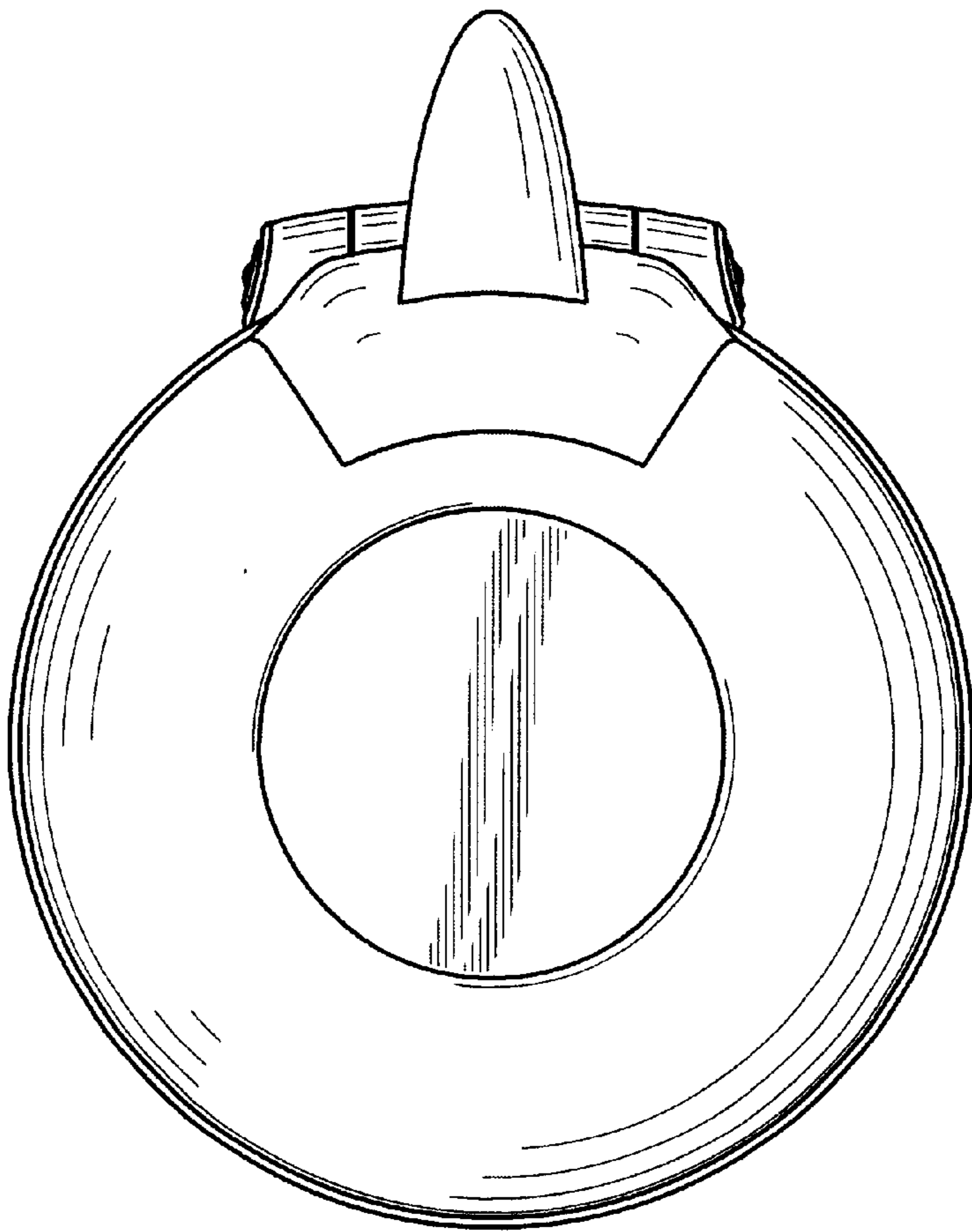
*Fig. 4*



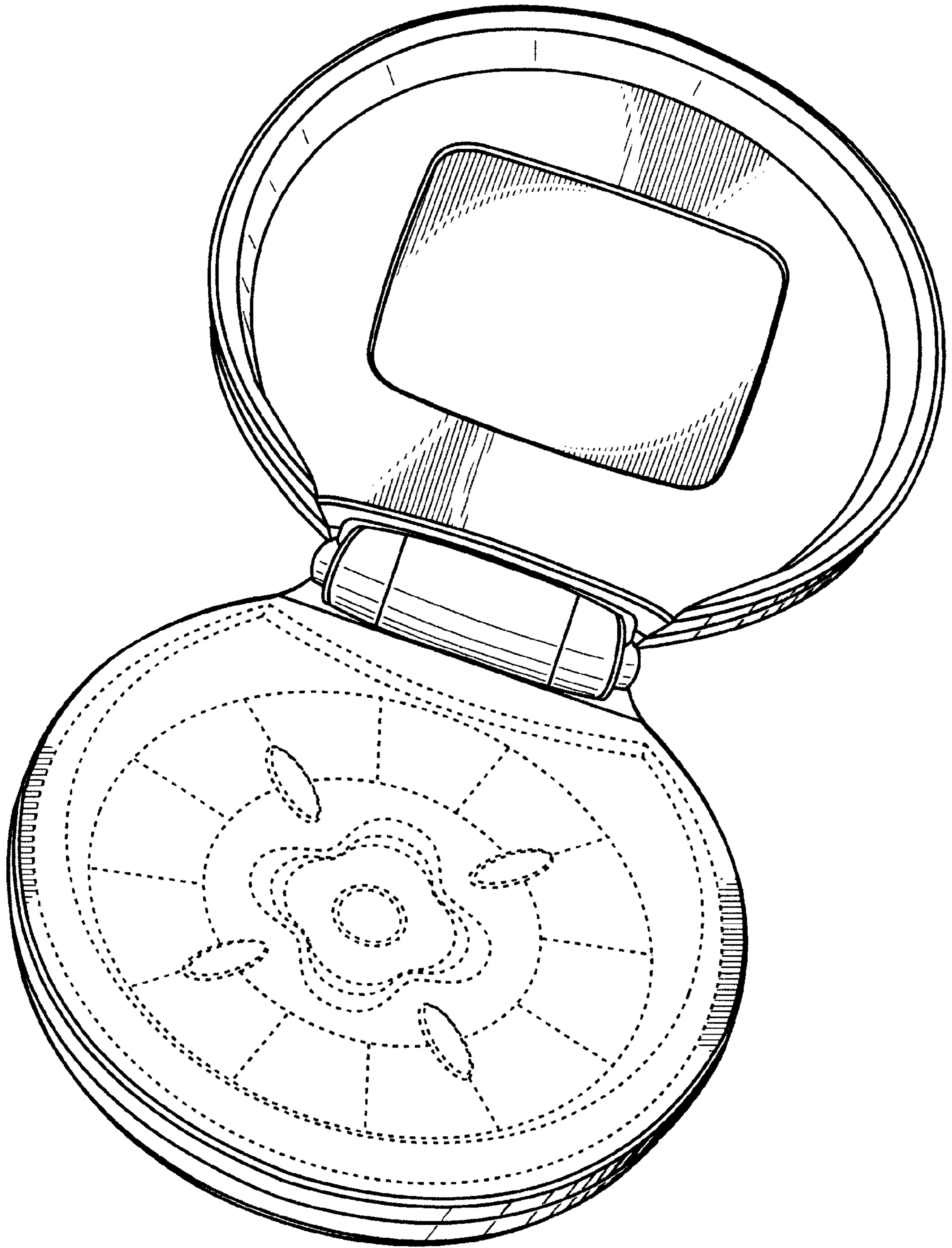
*Fig. 5*



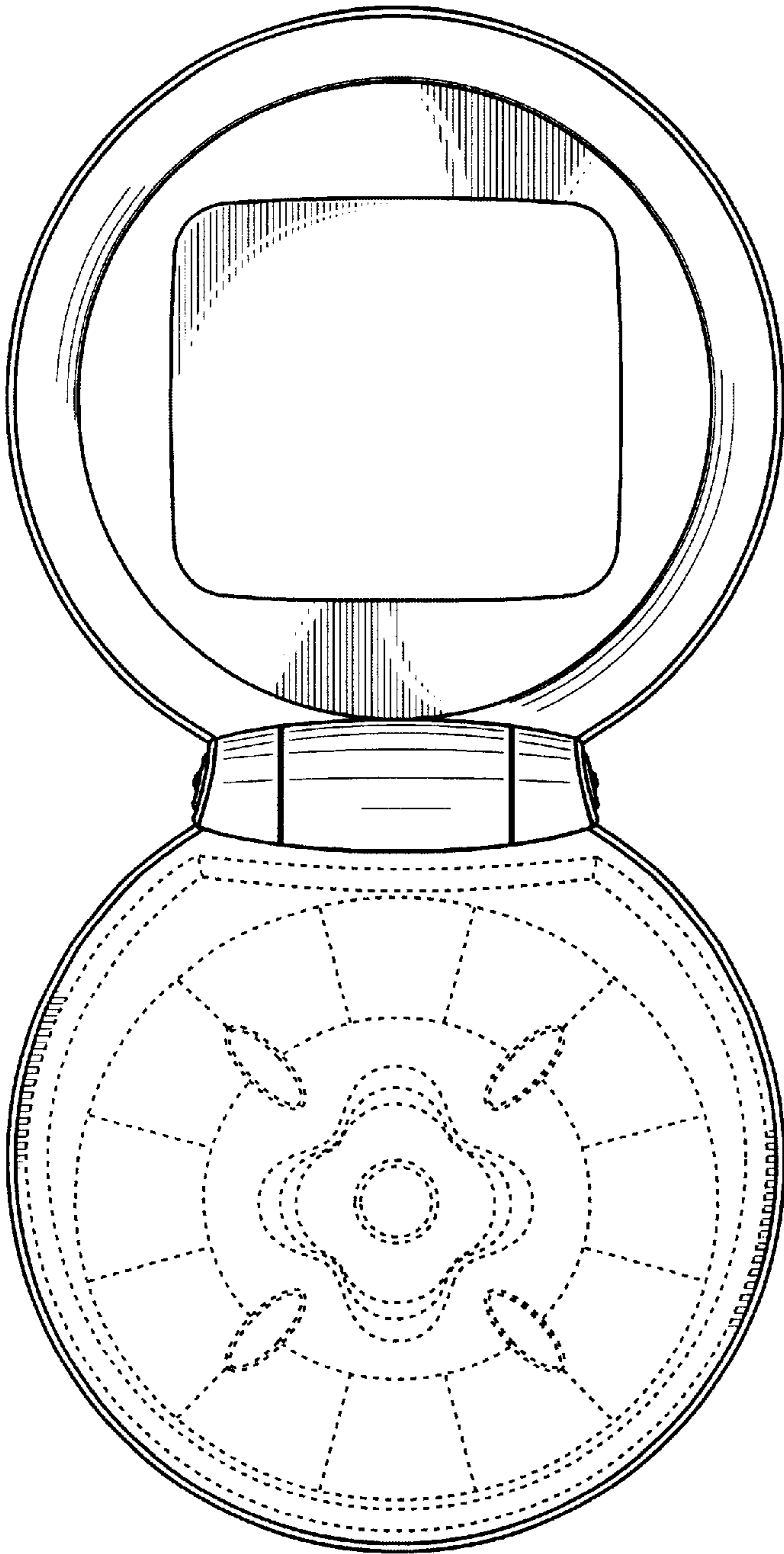
*Fig. 6*



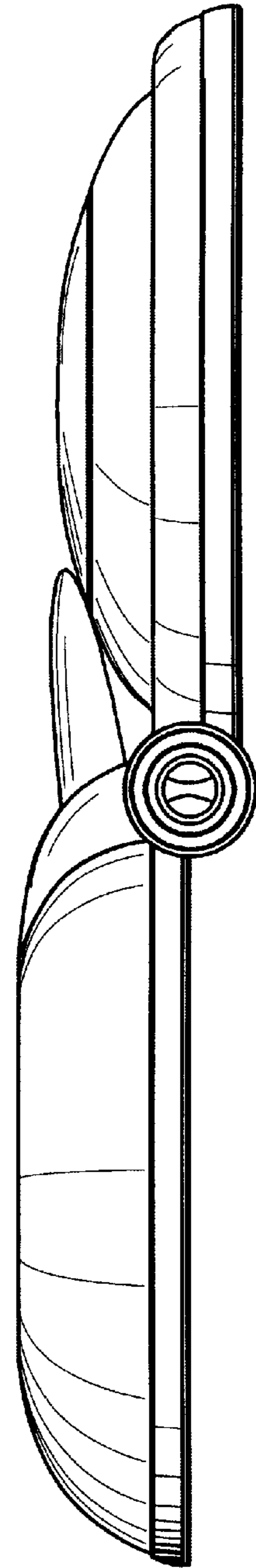
*Fig. 1*



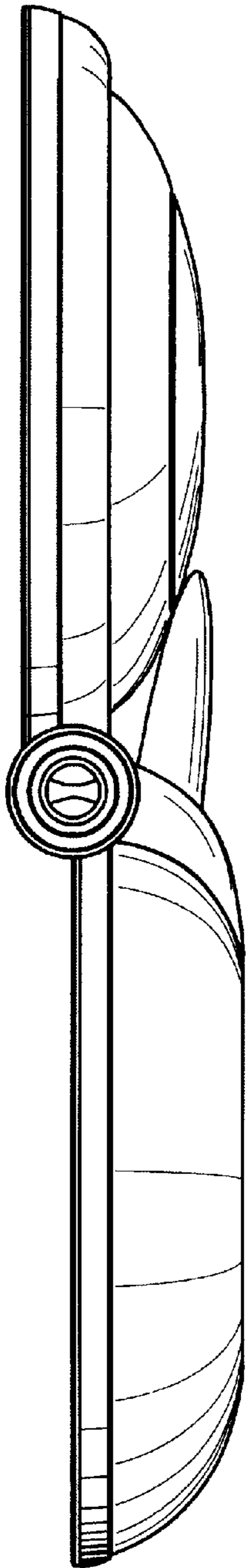
*Fig. 8*



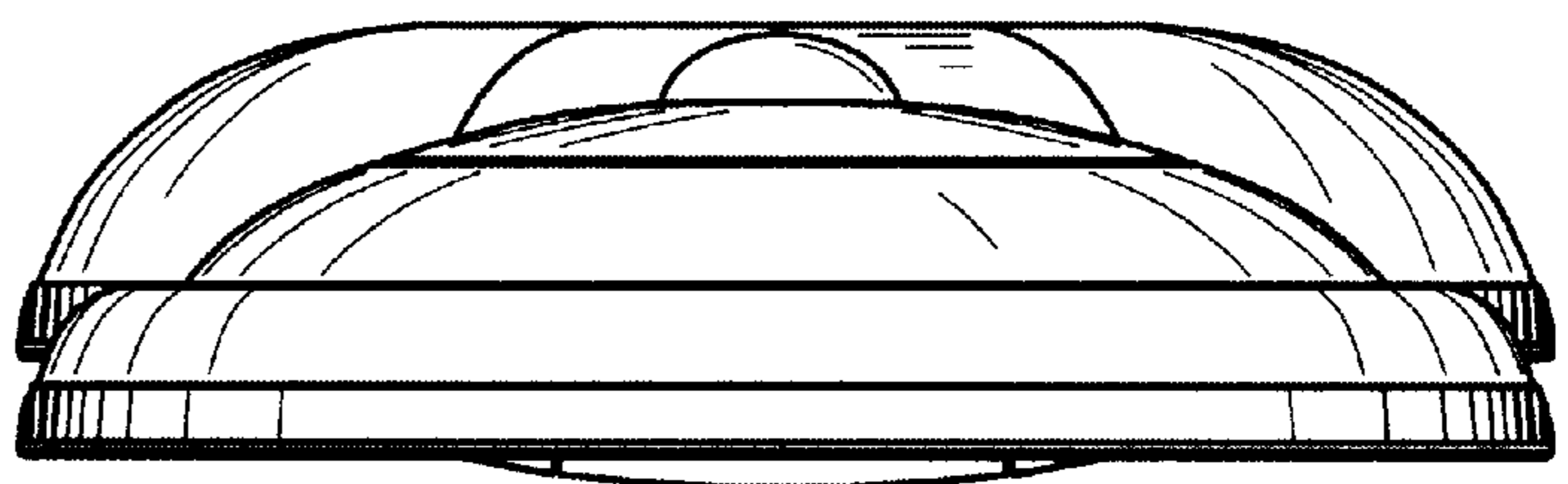
*Fig. 9*



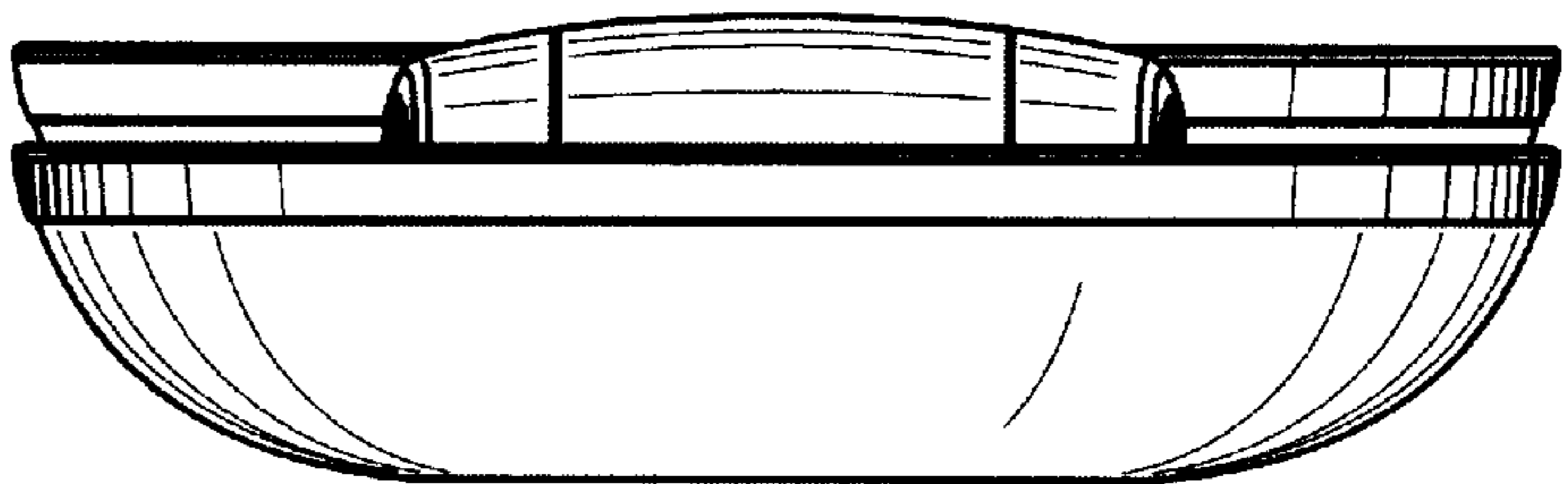
*Fig. 10*



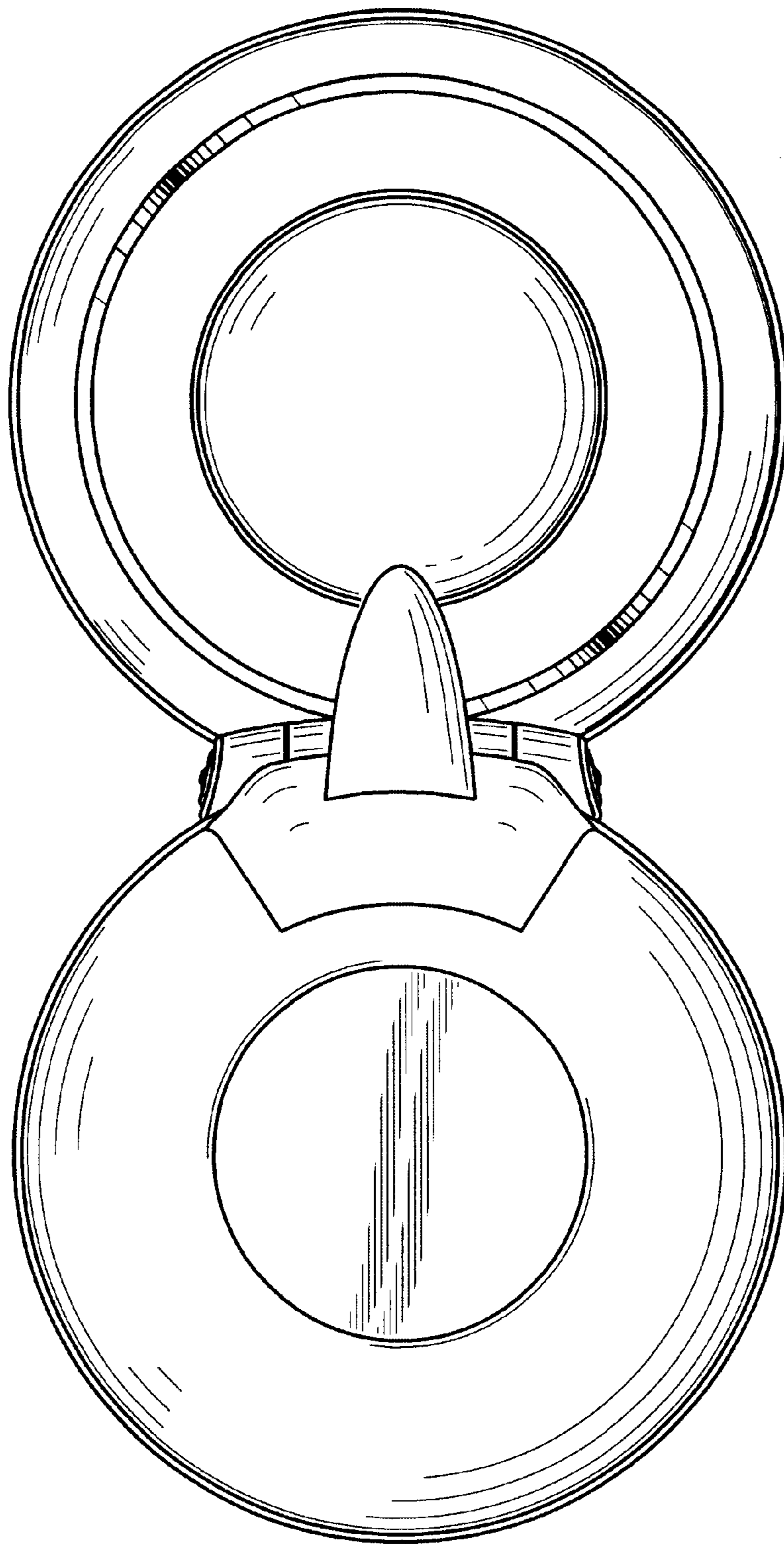
*Fig. 11*



*Fig. 12*



*Fig. 13*



*Fig. 14*