



US00D488132S

(12) **United States Design Patent**
Tanaka

(10) **Patent No.:** **US D488,132 S**

(45) **Date of Patent:** **** Apr. 6, 2004**

(54) **ELECTRICAL CONNECTOR**

(75) **Inventor:** **Yukitaka Tanaka**, Musashimurayama (JP)

(73) **Assignee:** **Japan Aviation Electronics Industry, Limited**, Tokyo (JP)

(**) **Term:** **14 Years**

(21) **Appl. No.:** **29/177,345**

(22) **Filed:** **Mar. 7, 2003**

(30) **Foreign Application Priority Data**

Sep. 9, 2002 (JP) 2002-028265

(51) **LOC (7) Cl.** **13-03**

(52) **U.S. Cl.** **D13/147**

(58) **Field of Search** D13/146, 147;
439/108, 607-610, 677-681, 540.1, 541.5,
638, 639

(56) **References Cited**

U.S. PATENT DOCUMENTS

- 5,580,283 A * 12/1996 O'Sullivan et al. 439/686
- D420,979 S * 2/2000 Chang D13/146
- 6,299,482 B1 * 10/2001 Huang 439/607
- D453,738 S * 2/2002 Shao et al. D13/147

- D454,336 S * 3/2002 Manchester et al. D13/147
- 6,561,847 B1 * 5/2003 Xiang et al. 439/541.5
- D478,552 S * 8/2003 Zhang et al. D13/147

* cited by examiner

Primary Examiner—Philip S. Hyder

Assistant Examiner—Selina Sikder

(74) *Attorney, Agent, or Firm*—Michael Best & Friedrich LLP

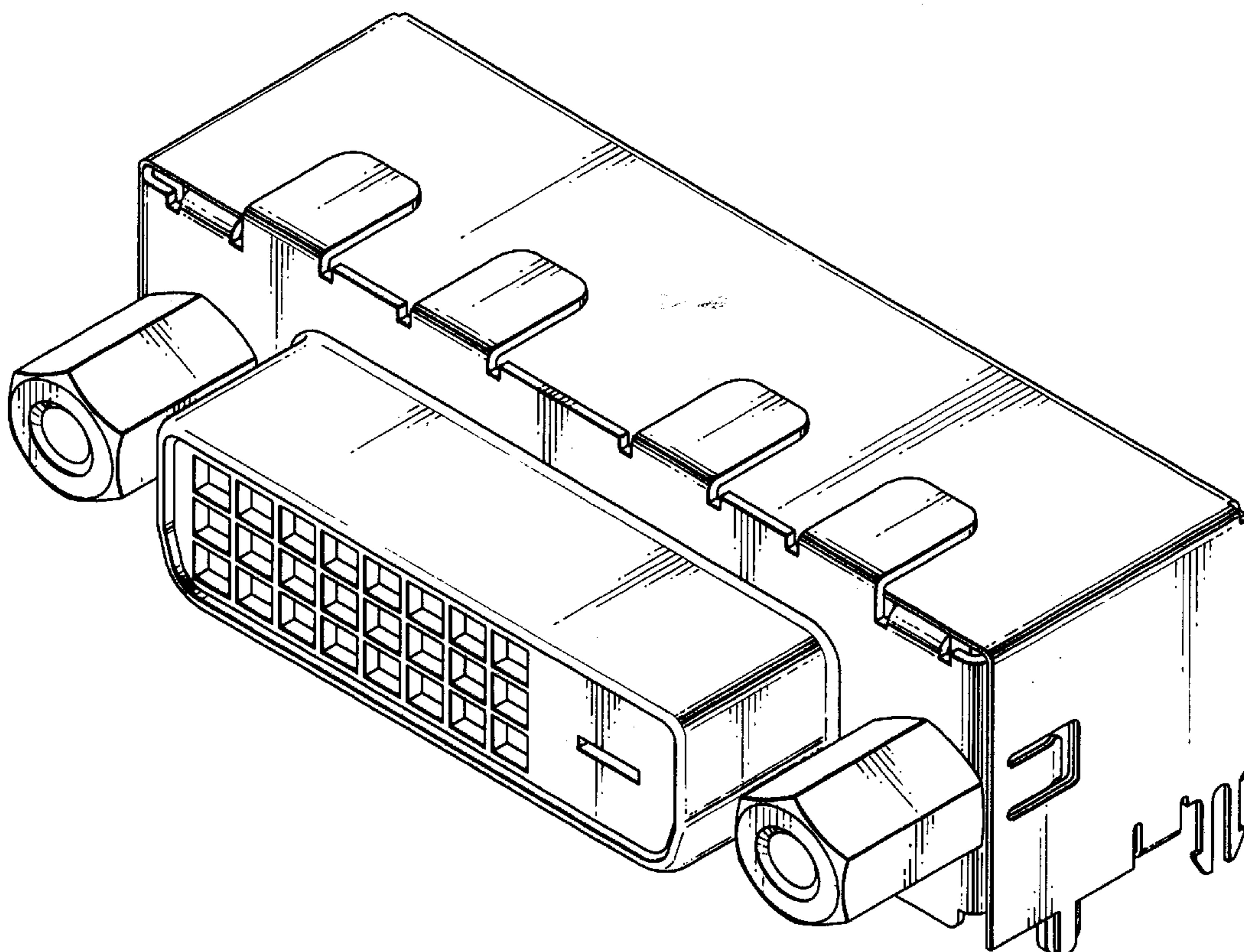
(57) **CLAIM**

The ornamental design for an electrical connector, as shown and described.

DESCRIPTION

FIG. 1 is a front, top, and right side perspective view of an electrical connector;
 FIG. 2 is a front elevational view thereof;
 FIG. 3 is a top plan view thereof;
 FIG. 4 is a bottom plan view thereof;
 FIG. 5 is a right side elevational view thereof; the left side being a mirror image thereof;
 FIG. 6 is a rear elevational view thereof;
 FIG. 7 is a longitudinal sectional view thereof along a line 7—7 of FIG. 2; and,
 FIG. 8 is a longitudinal sectional view thereof along a line 8—8 of FIG. 2.

1 Claim, 7 Drawing Sheets



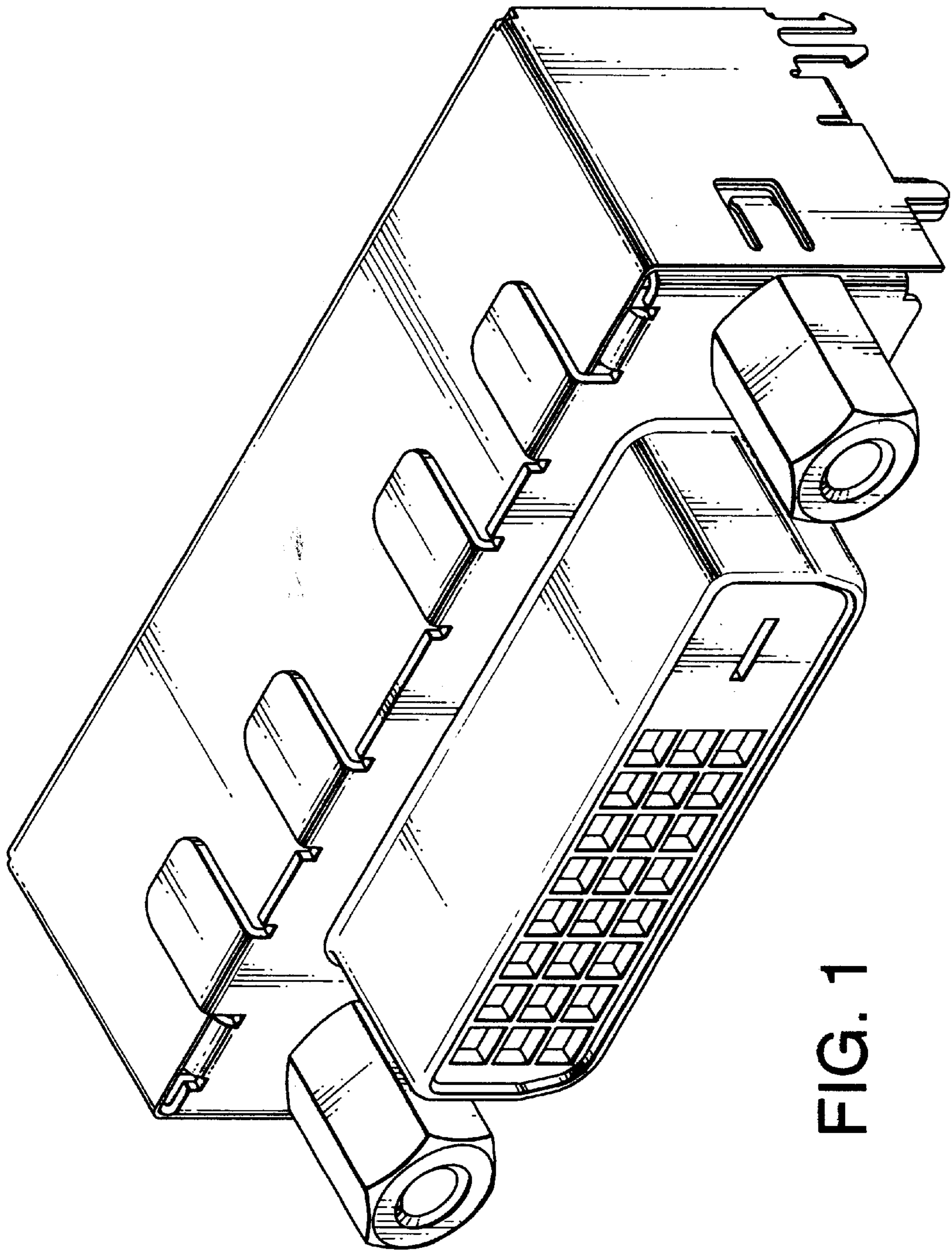


FIG. 1

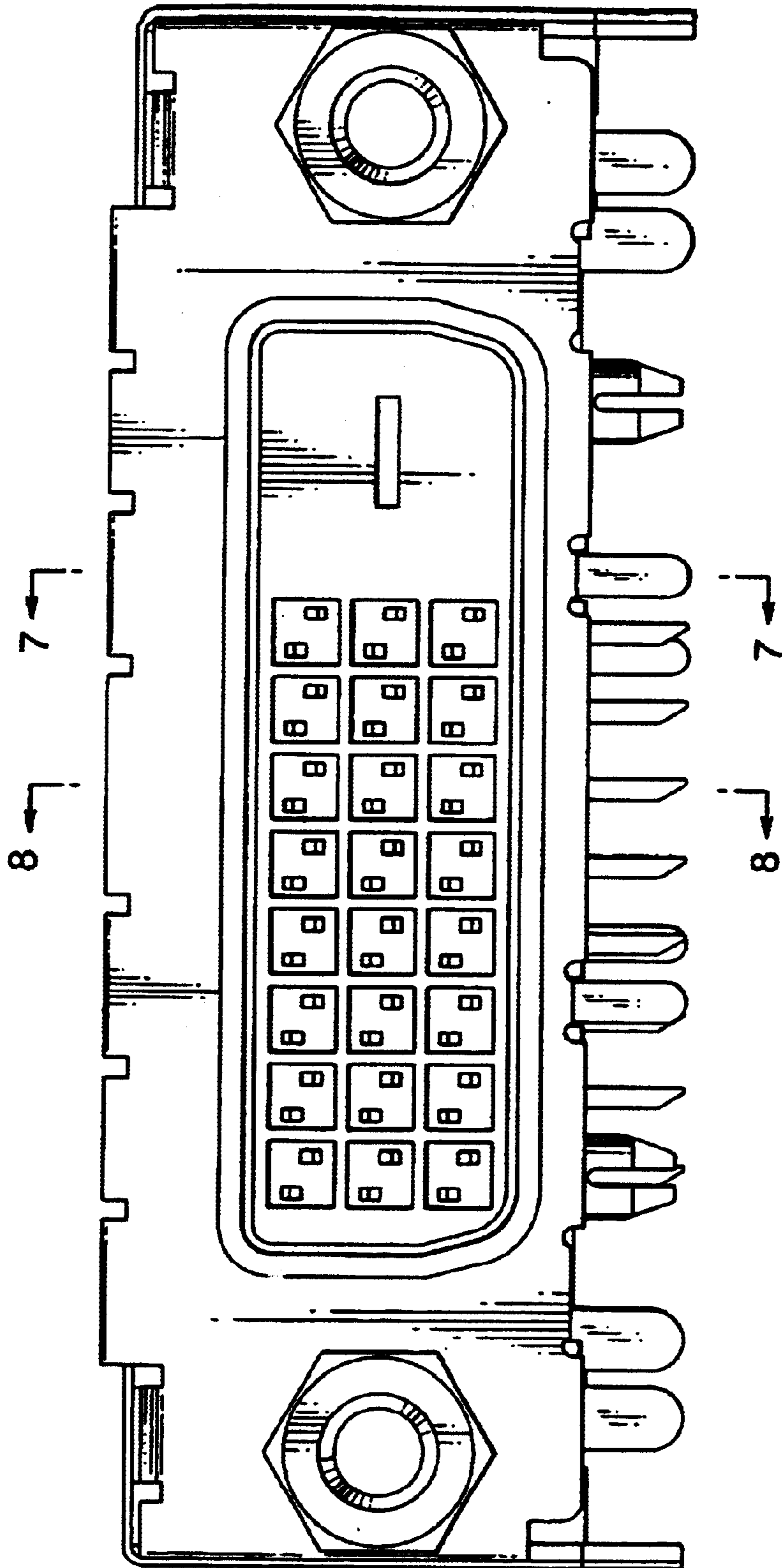


FIG. 2

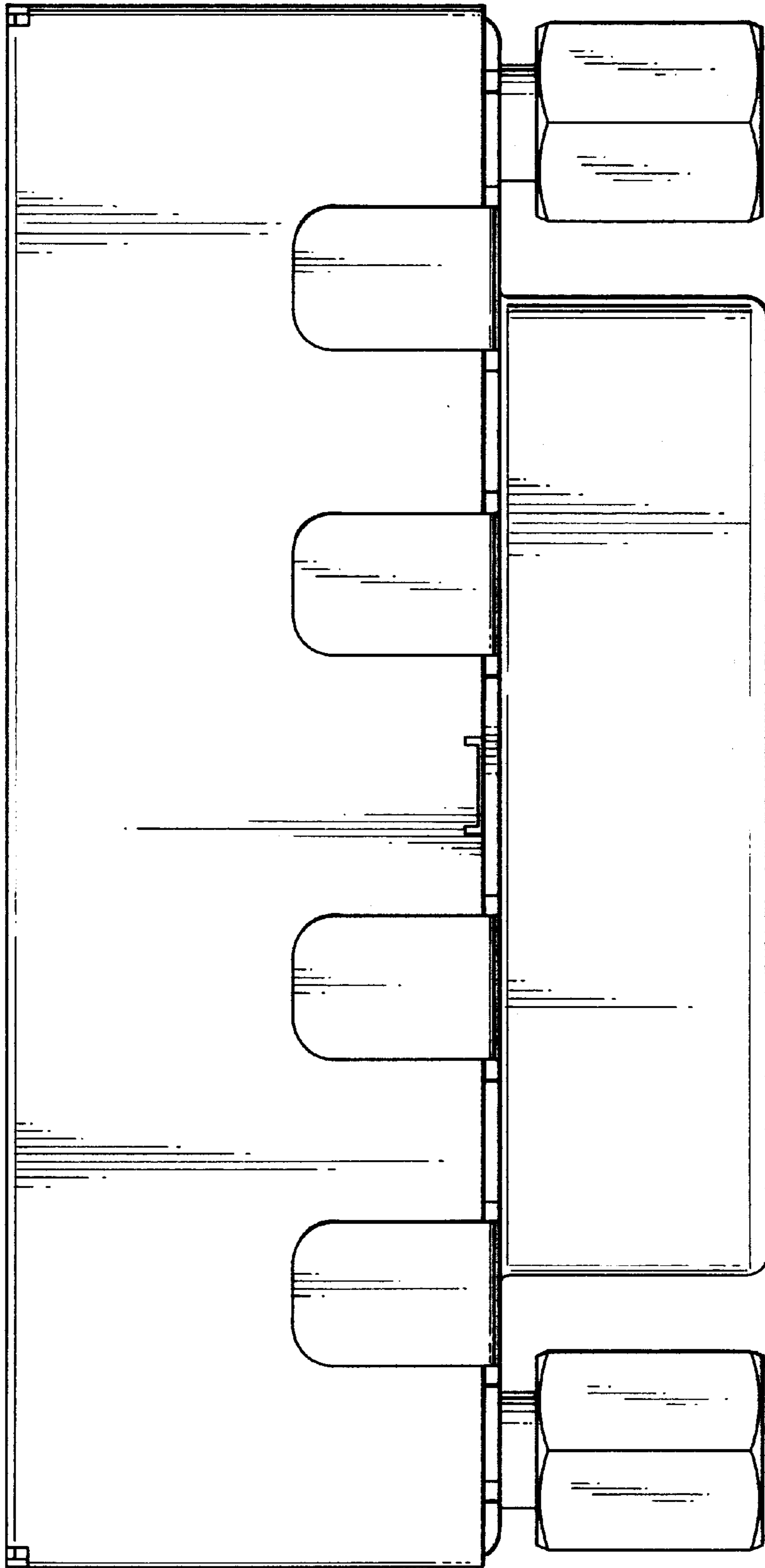


FIG. 3

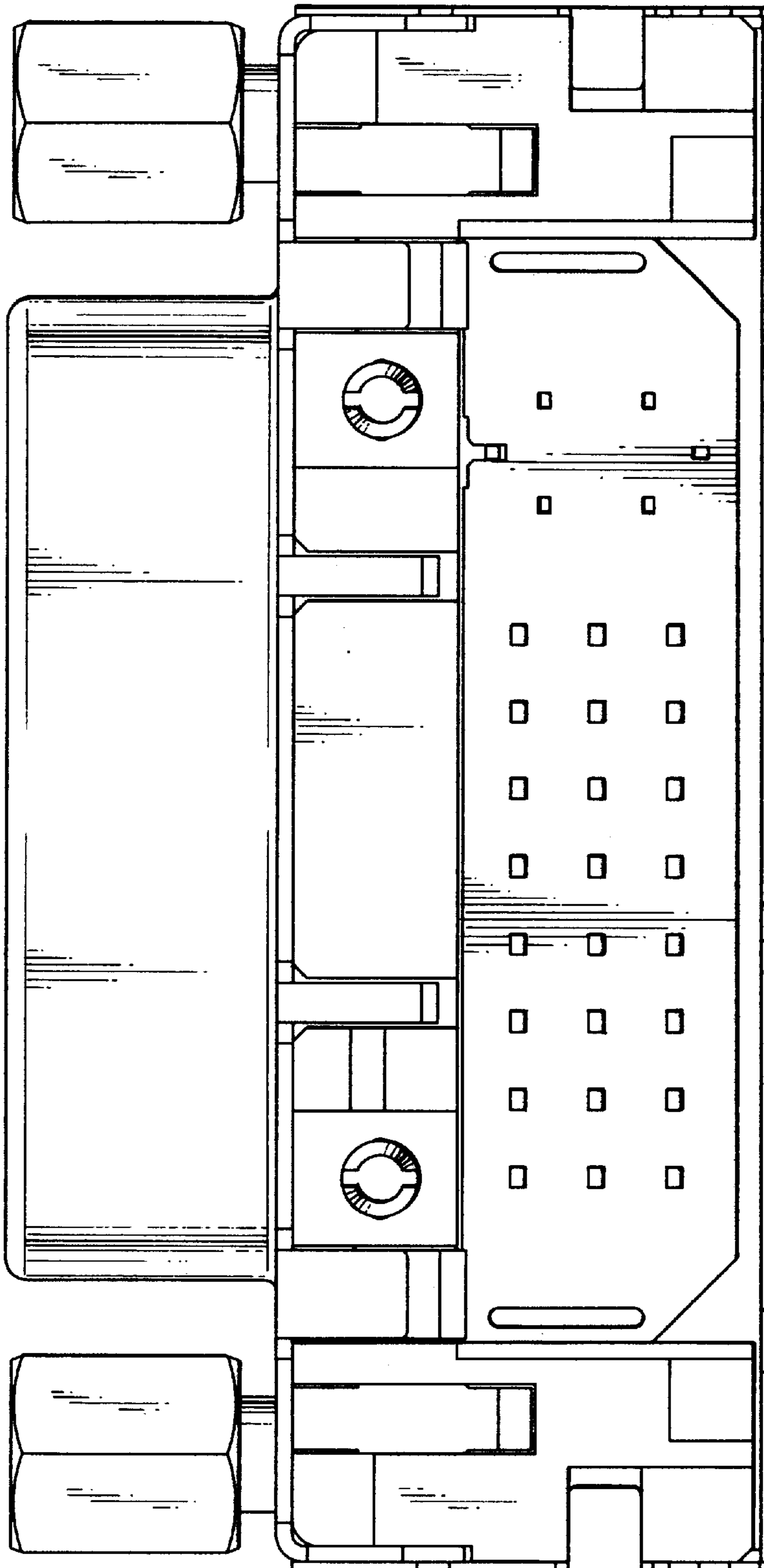


FIG. 4

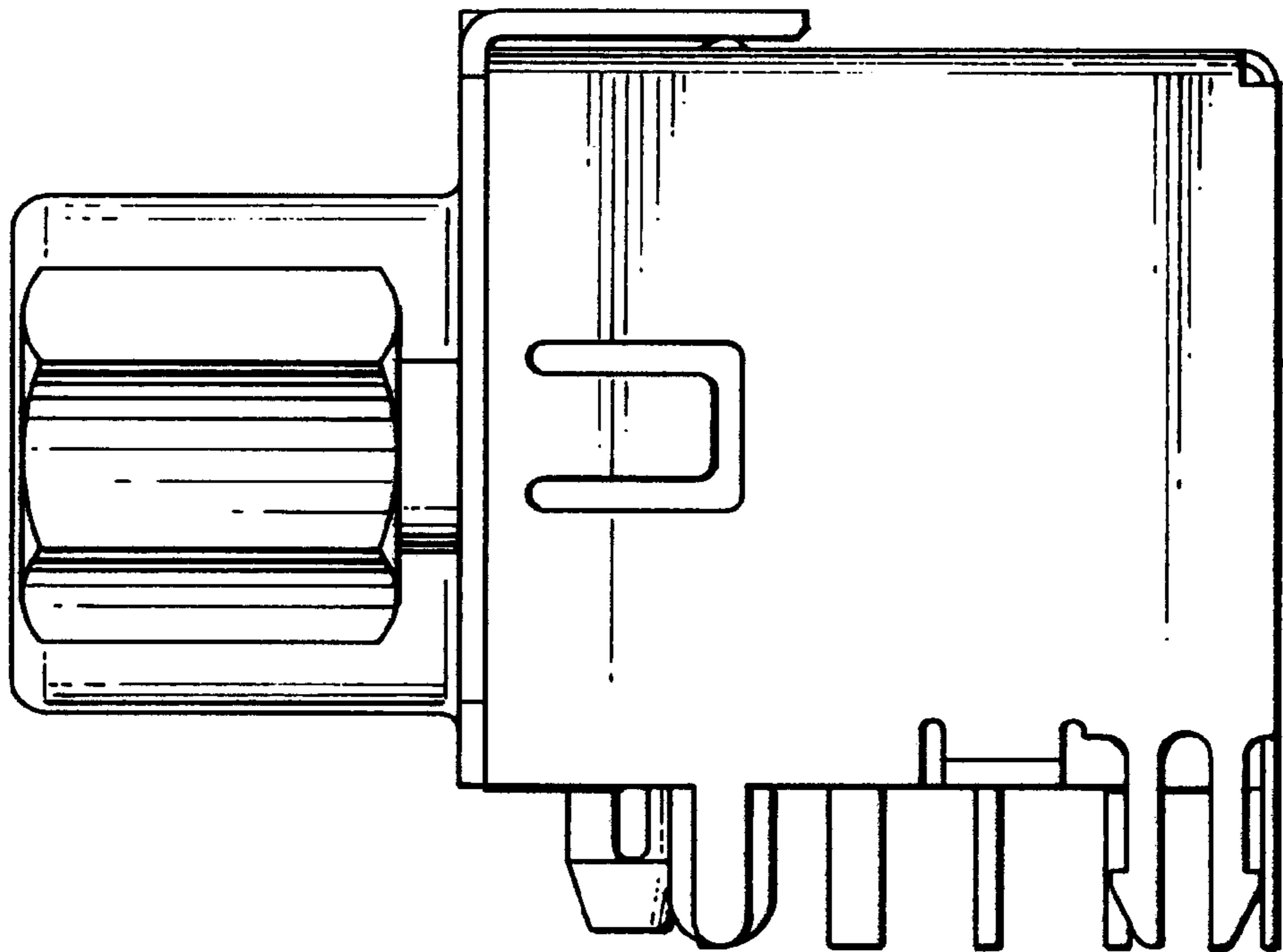


FIG. 5

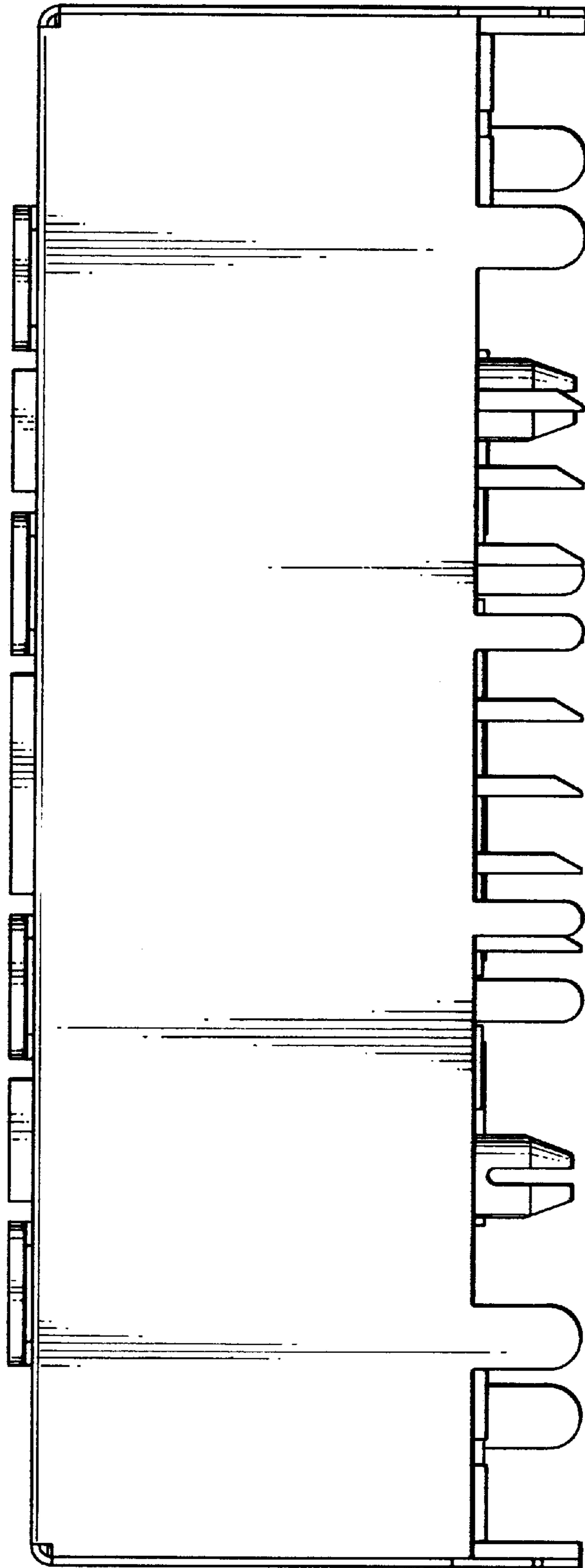


FIG. 6

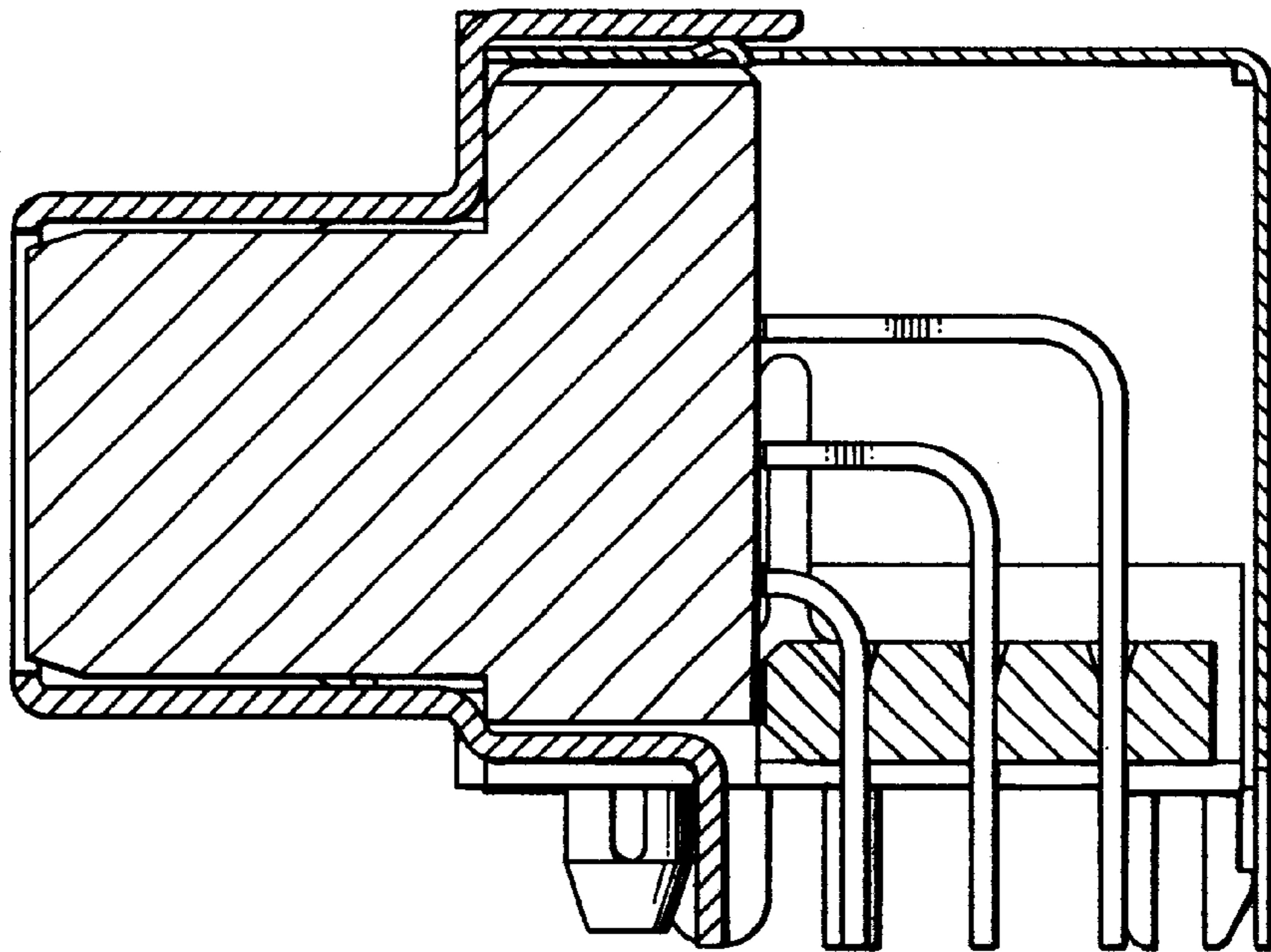


FIG. 7

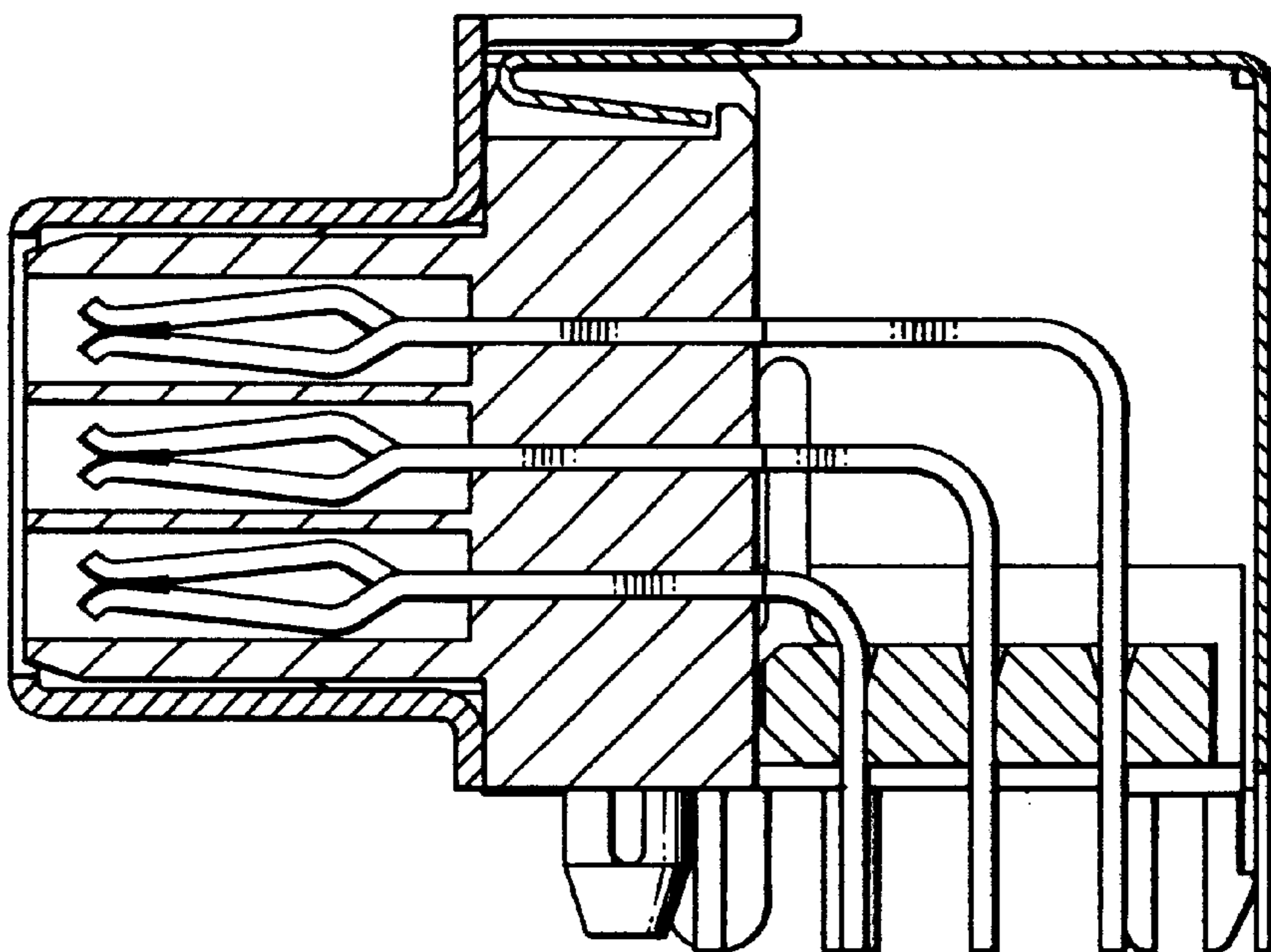


FIG. 8